

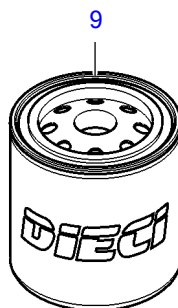
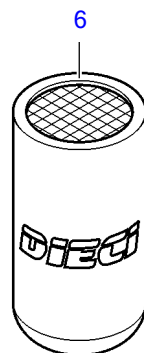
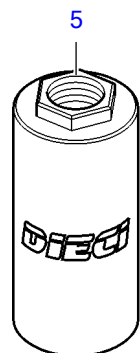
DESCRIPTION	REFERENCE	PAGE
FILTERS AND OTHER CONSUMABLES	01-00000	2
CHASSIS - FRAMEWORK	10-00000	4
CAB	20-00000	10
ELECTRICAL SYSTEM	30-00000	19
BOOM	40-00000	26
HYDRAULIC SYSTEM	50-00000	31
DIFFERENTIAL AXLES AND WHEELS	A0-00000	48
MOTOR SERVICES AND PERIPHERAL SYSTEMS	F0-00000	64
STICKERS	G0-00000	77
ATTACHMENTS	M0-00000	79
EQUIPMENT	P0-00000	121

Document valid only for consultation



DESCRIPTION	REFERENCE	PAGE
FILTERS AND OTHER CONSUMABLES	01-00010_00	3

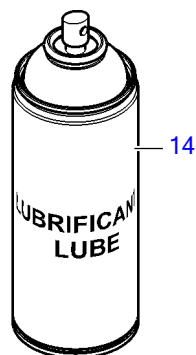
Document valid only for consultation



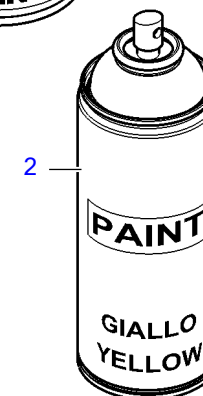
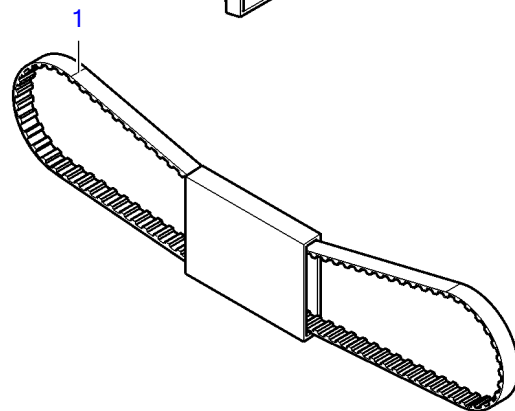
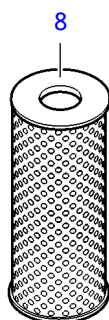
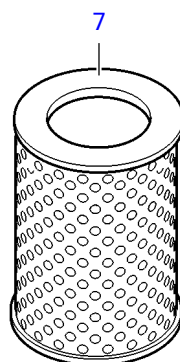
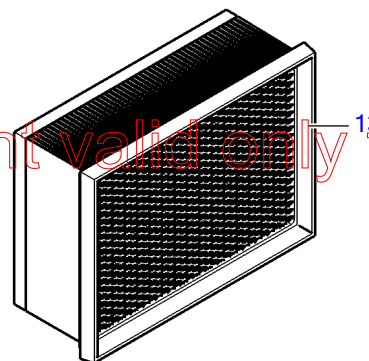
ASPIRATED
ENGINE



TURBO
ENGINE



Document valid only for consultation





FILTERS AND OTHER CONSUMABLES

Reference: 01-00010_00

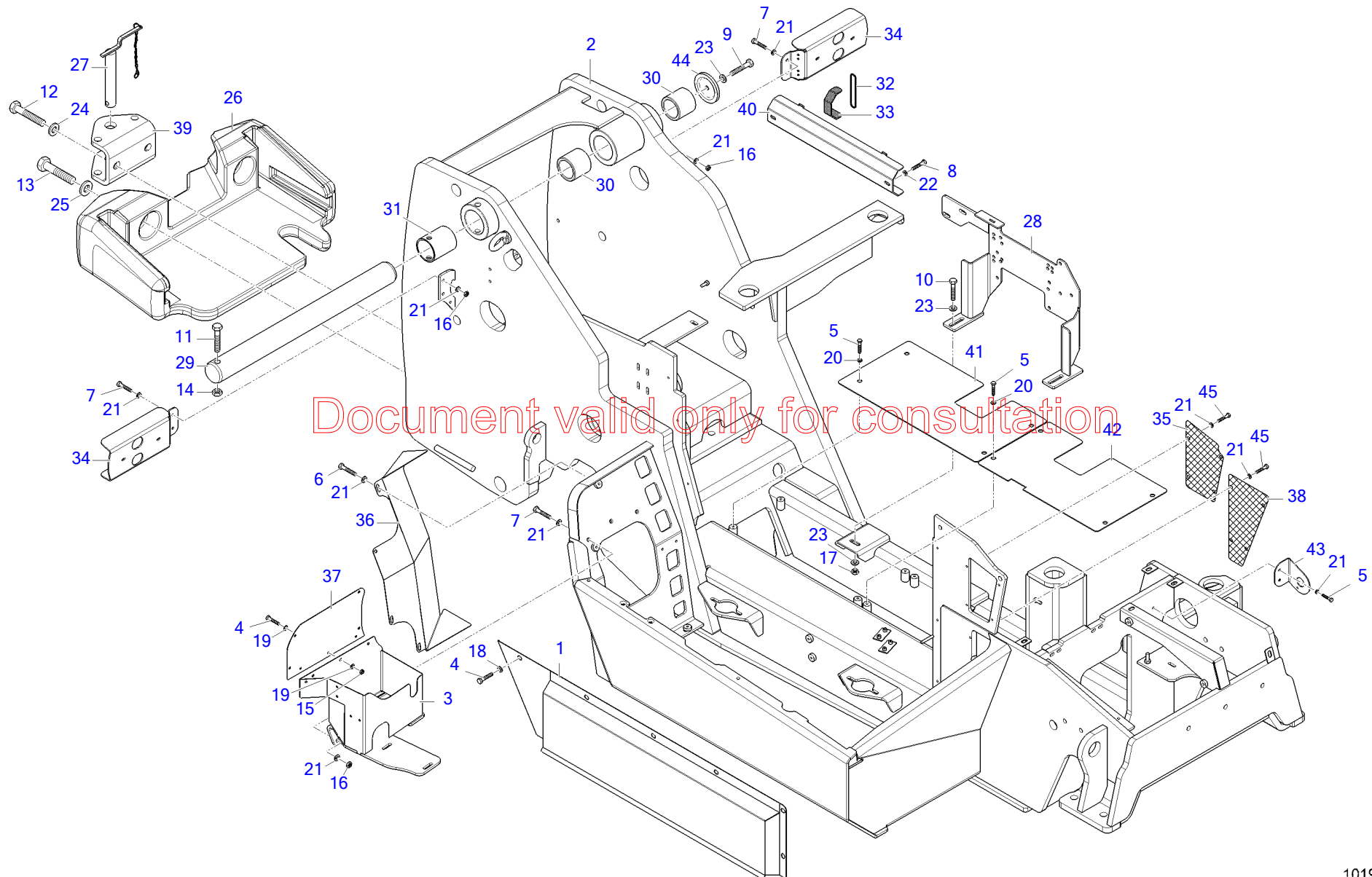
POS.	CODE	Q.TY	UNIT	DESCRIPTION
1	1Y.25132004150	1		BELT
2	ABG2110	1		SPRAY PAINT CAN - YELLOW
3	ABG2112	1		SPRAY PAINT CAN - LIGHT GREY
4	ABG2126	1		SPRAY PAINT CAN - DARK GREY
5	BHC0107	1		INTAKE FILTER
6	BHC3012	1		OIL CARTRIDGE
7	BHC5042	1		AIR FILTER CARTRIDGE - EXTERNAL
8	BHC5043	1		AIR FILTER CARTRIDGE - INTERNAL
9	BHC5044	1		ENGINE OIL FILTER
10	BHC5045	1		FUEL FILTER
11	BHC5046	1		FUEL FILTER (SEPARATOR)
12	BHC5099	1		FUEL FILTER CARTRIDGE
13	3E.1614228	1		AIR FILTER
14	AAE4540	1		SPRAY LUBRICANT
15	ABG7490	1		PAINT IN A CAN, KG. 1 - DARK GREY
16	ABG7491	1		PAINT IN A CAN, KG. 1 - YELLOW

Document valid only for consultation



DESCRIPTION	REFERENCE	PAGE
CHASSIS WITH GUARD AND SUPPORTS - 1	10-00010_00	5
CHASSIS WITH GUARD AND SUPPORTS - 2	10-00020_00	6
HOOD	10-00030_00	7
OIL TANK	10-00040_00	8
DIESEL TANK	10-00050_00	9

Document valid only for consultation



POS.	CODE	Q.TY	UNIT	DESCRIPTION
1	3E.1614017C/0D2	1		ENGINE COMPARTMENT CLOSING HOUSING
2	ASM0000437/0D2	1		FRAME
3	ASM0000460/0G	1		SUPPORT
4	BAA7152	1		SCREW
5	BAA7202	1		SCREW
6	BAA7203	1		SCREW
7	BAA7205	1		SCREW
8	BAA7252	1		SCREW
9	BAA7304	1		SCREW
10	BAA7305	1		SCREW
11	BAA7420	1		SCREW
12	BAA7458	1		SCREW
13	BAA7590	1		SCREW
14	BAG4106	1		NUT
15	BAG4116	1		NUT
16	BAG4117	1		NUT
17	BAG4119	1		NUT
18	BAL5110	1		WASHER
19	BAL5111	1		WASHER
20	BAL5112	1		WASHER
21	BAL5113	1		WASHER
22	BAL5114	1		WASHER
23	BAL5116	1		WASHER
24	BAL5121	1		WASHER
25	BAL5155	1		WASHER
26	BCA8624/0D2	1		COUNTERWEIGHT
27	BCN2709	1		TOW PLUG
28	BCN9925-CF	1		DISTRIBUTOR SUPPORT
29	BRI6076N	1		PIN
30	BSF0509/1	1		BUSH
31	BSF0509/2	1		BUSH
32	BSH9033	1		RUBBER RING
33	BSH9117	1	M	ADHESIVE PROTECTION
34	CAR0000280/0D2	1		HEADLIGHT HOLDER PLATE
35	CAR0001811/0G	1		NET

Document valid only for consultation

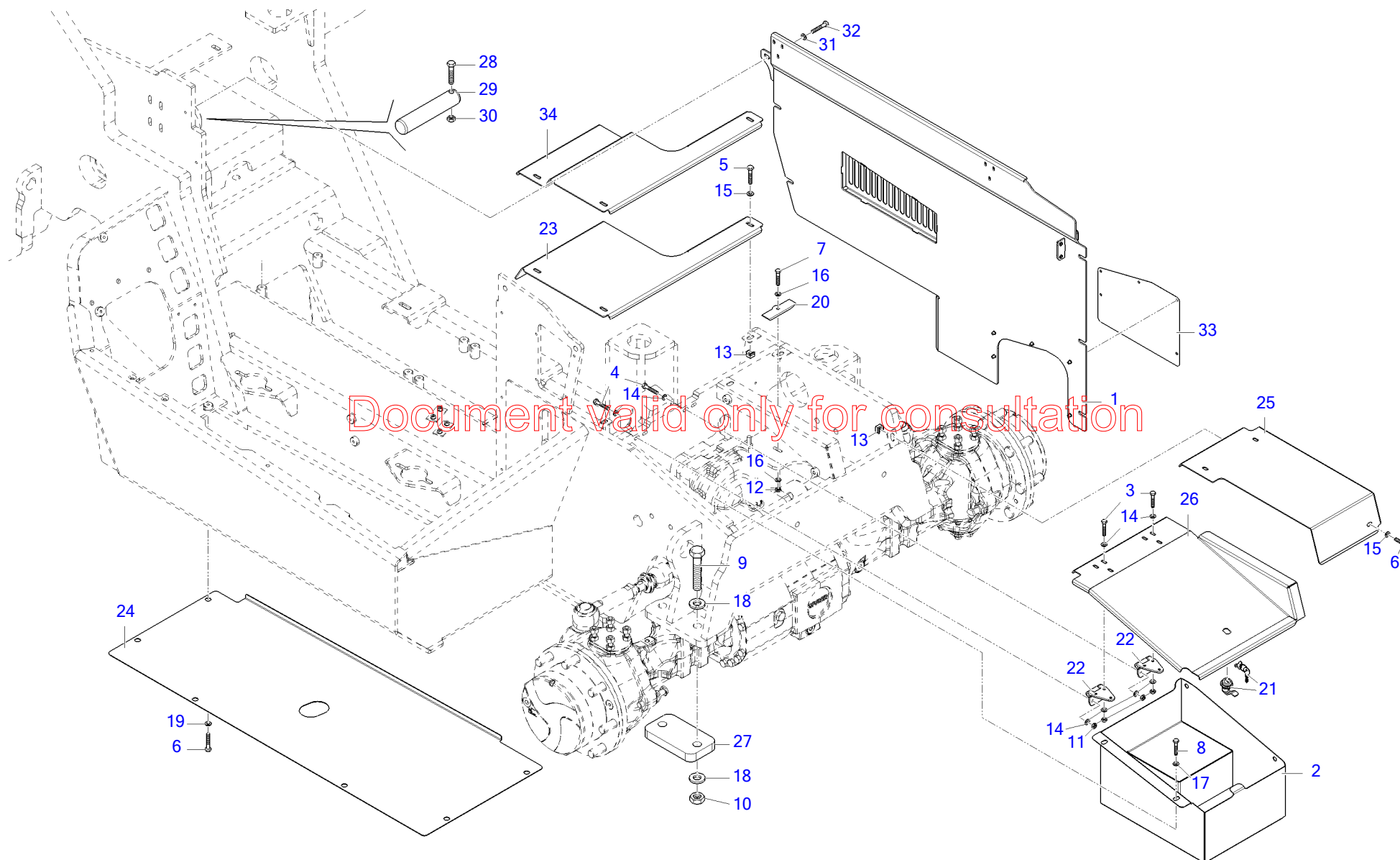


CHASSIS WITH GUARD AND SUPPORTS - 1

Reference: 10-00010_00

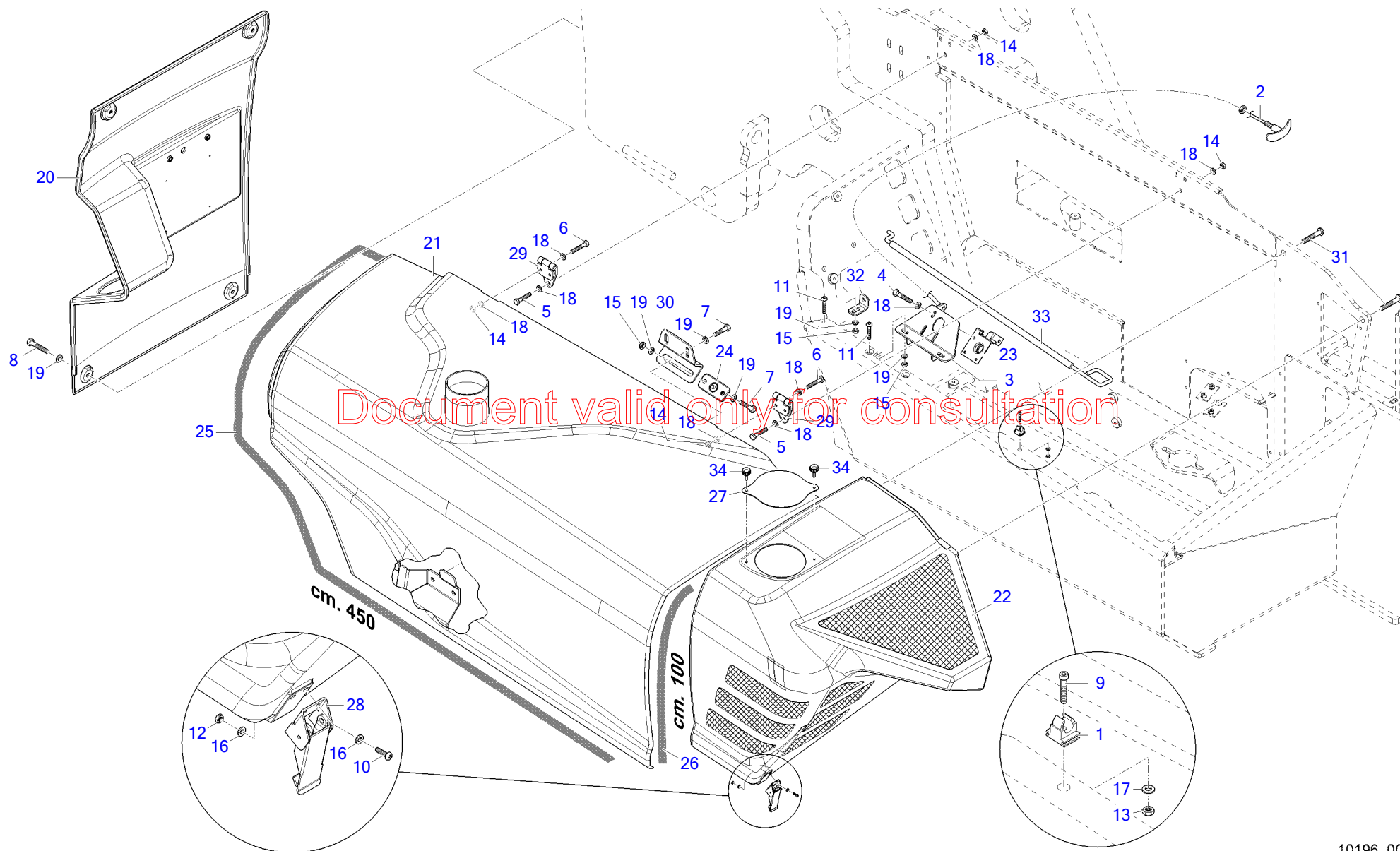
POS.	CODE	Q.TY	UNIT	DESCRIPTION
36	CAR0001844/0D2	1		METAL SHEET
37	CAR0002177/0D2	1		METAL SHEET
38	CLB4046/0G	1		NET
39	CVC3905/0D2	1		TOW HITCH PLATE
40	ASM0000849-0H	1		BOOM SAFETY SHIM
41	CVC5907/0D2	1		PROTECTION HOUSING
42	CVC5908/0D2	1		PROTECTION HOUSING
43	CVC7367/CL	1		METAL SHEET
44	PON3010/CL	1		WASHER
45	BAE2007	1		SCREW

Document valid only for consultation



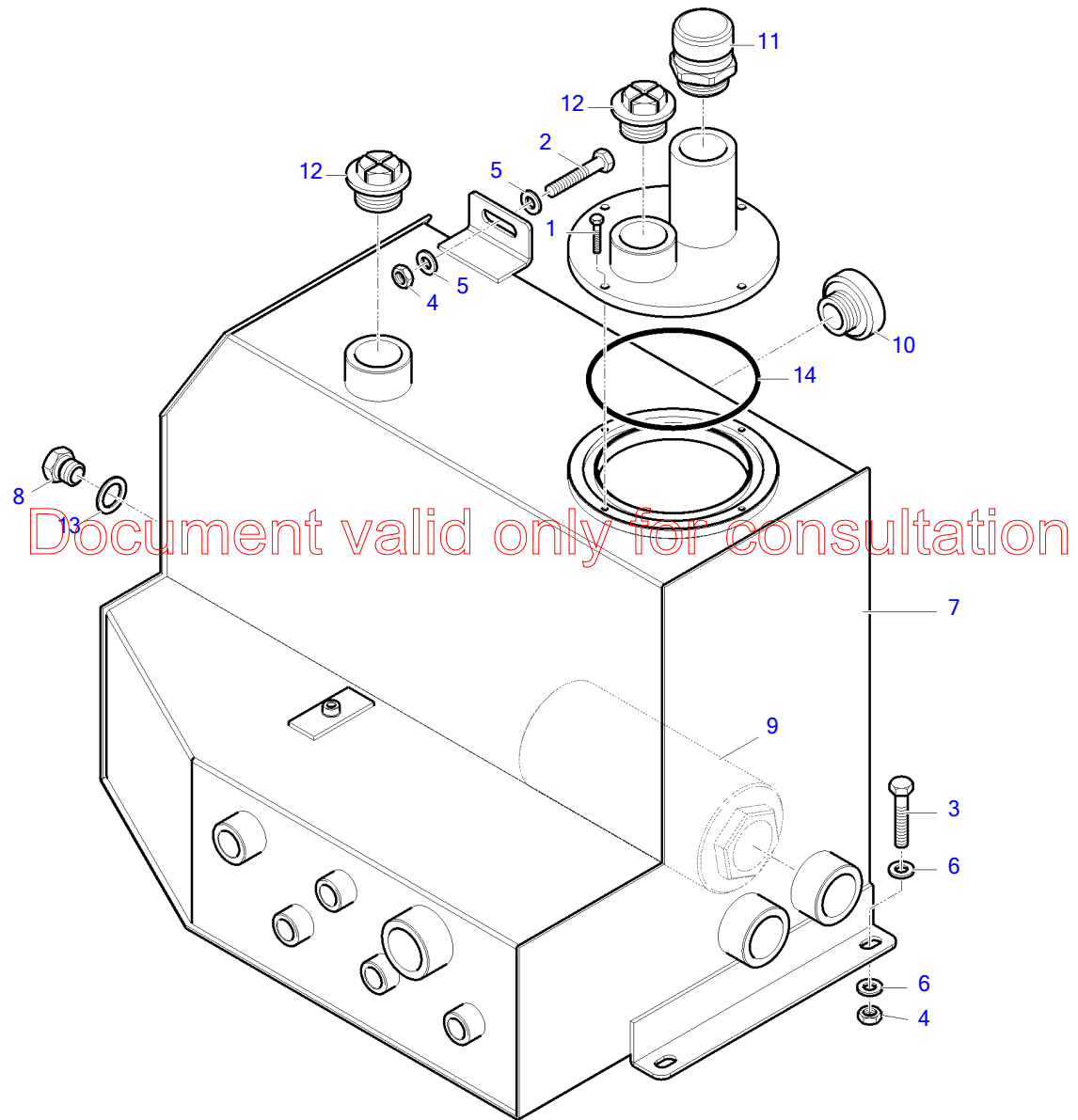
POS.	CODE	Q.TY	UNIT	DESCRIPTION
1	ASM0000382/0D2	1		CLOSING HOUSING
2	ASM0000466/CL	1		STORAGE COMPARTMENT
3	BAA7152	1		SCREW
4	BAA7155	1		SCREW
5	BAA7202	1		SCREW
6	BAA7203	1		SCREW
7	BAA7205	1		SCREW
8	BAA7254	1		SCREW
9	BAA7555	1		SCREW
10	BAG4109	1		NUT
11	BAG4116	1		NUT
12	BAG4117	1		NUT
13	BAG4764	1		NUT
14	BAL5110	1		WASHER
15	BAL5112	1		WASHER
16	BAL5113	1		WASHER
17	BAL5114	1		WASHER
18	BAL5134	1		WASHER
19	BAL5177	1		WASHER
20	BEQ0097	1		FASTENER PLATE
21	BSC0096	1		BLOCK
22	BWL1120	1		HINGE
23	CAR0001080/0D2	1		CLOSING METAL SHEET
24	CAR0001582/0D2	1		CLOSING METAL SHEET
25	CAR0001820/0D2	1		CLOSING METAL SHEET
26	CAR0001824/0D2	1		CLOSING METAL SHEET
27	CVS3303/0D2	1		FASTENING PLATE
28	BAA7420	1		SCREW
29	BRI6029/1N	1		PIN
30	BAG4106	1		NUT
31	BAL3247	1		WASHER
32	BAE2007	1		SCREW
33	CAR0001018/0D2	1		CLOSING METAL SHEET
34	CAR0002859/0D2	1		CLOSING METAL SHEET

Document valid only for consultation



POS.	CODE	Q.TY	UNIT	DESCRIPTION
1	2E.TFBFH07	1		CLIP
2	3E-000000512	1		ENGINE HOOD CABLE
3	ASM0000387-CF	1		LOCK SUPPORT PLATE
4	BAA7150	1		SCREW
5	BAA7152	1		SCREW
6	BAA7154	1		SCREW
7	BAA7202	1		SCREW
8	BAA7203	1		SCREW
9	BAB5082	1		SCREW
10	BAE1201	1		SCREW
11	BAE2010	1		SCREW
12	BAG4098	1		NUT
13	BAG4099	1		NUT
14	BAG4116	1		NUT
15	BAG4117	1		NUT
16	BAL5101	1		WASHER
17	BAL5102	1		WASHER
18	BAL5110	1		WASHER
19	BAL5112	1		WASHER
20	BCW3068	1		REAR HOUSING
21	BCW3088	1		ENGINE COMPARTMENT HOOD
22	BCW3089	1		ENGINE COMPARTMENT HOOD
23	BSC0050	1		HOOD CLAMP
24	BSC0051	1		HOOD CLAMP
25	BSH8952	1	M	PVC PROFILE
26	BSH9119	1	M	ADHESIVE GASKET
27	CAR0001840/0G	1		METAL SHEET
28	BWL1108	1		HOOD CLAMP
29	BWL1121	1		HINGE
30	CARLA0001541-CL	1		METAL SHEET
31	BAE2007	1		SCREW
32	CVC3504/CL	1		FASTENER
33	POG4093/CL	1		ROD
34	BWD0518	1		KNOB

Document valid only for consultation



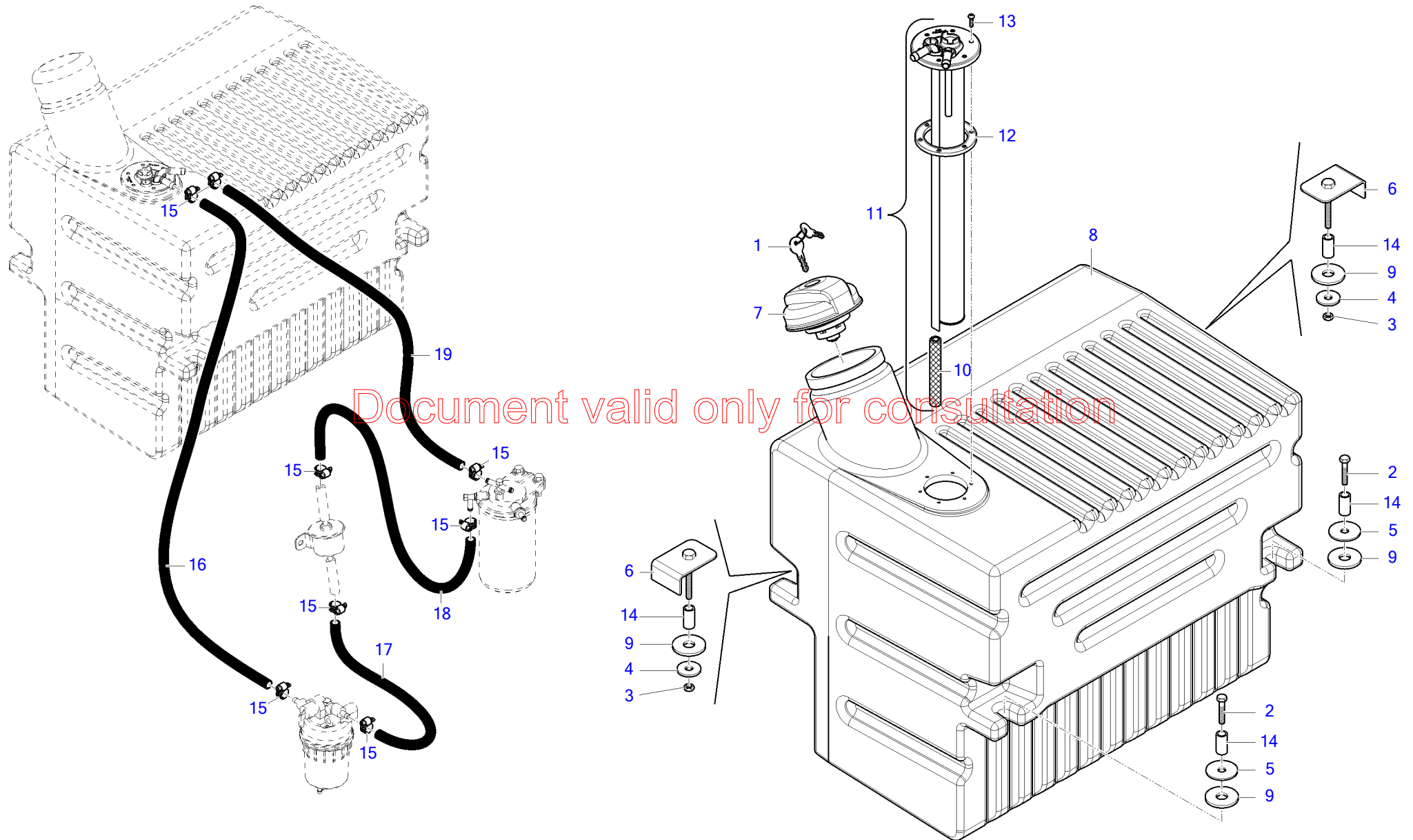


OIL TANK

Reference: 10-00040_00

POS.	CODE	Q.TY	UNIT	DESCRIPTION
1	BAA7152	1		SCREW
2	BAA7254	1		SCREW
3	BAA7262	1		SCREW
4	BAG4118	1		NUT
5	BAL5114	1		WASHER
6	BAL5115	1		WASHER
7	BCF3219/0D2	1		OIL TANK
8	BHA0635	1		PLUG
9	BHC0107	1		INTAKE FILTER
10	BHG2009	1		OIL LEVEL CAP
11	BHG3006	1		VENT PLUG
12	BHG3028	1		PLUG
13	BHG4730	1		WASHER
14	BVG2515	1		O-RING

Document valid only for consultation





DIESEL TANK

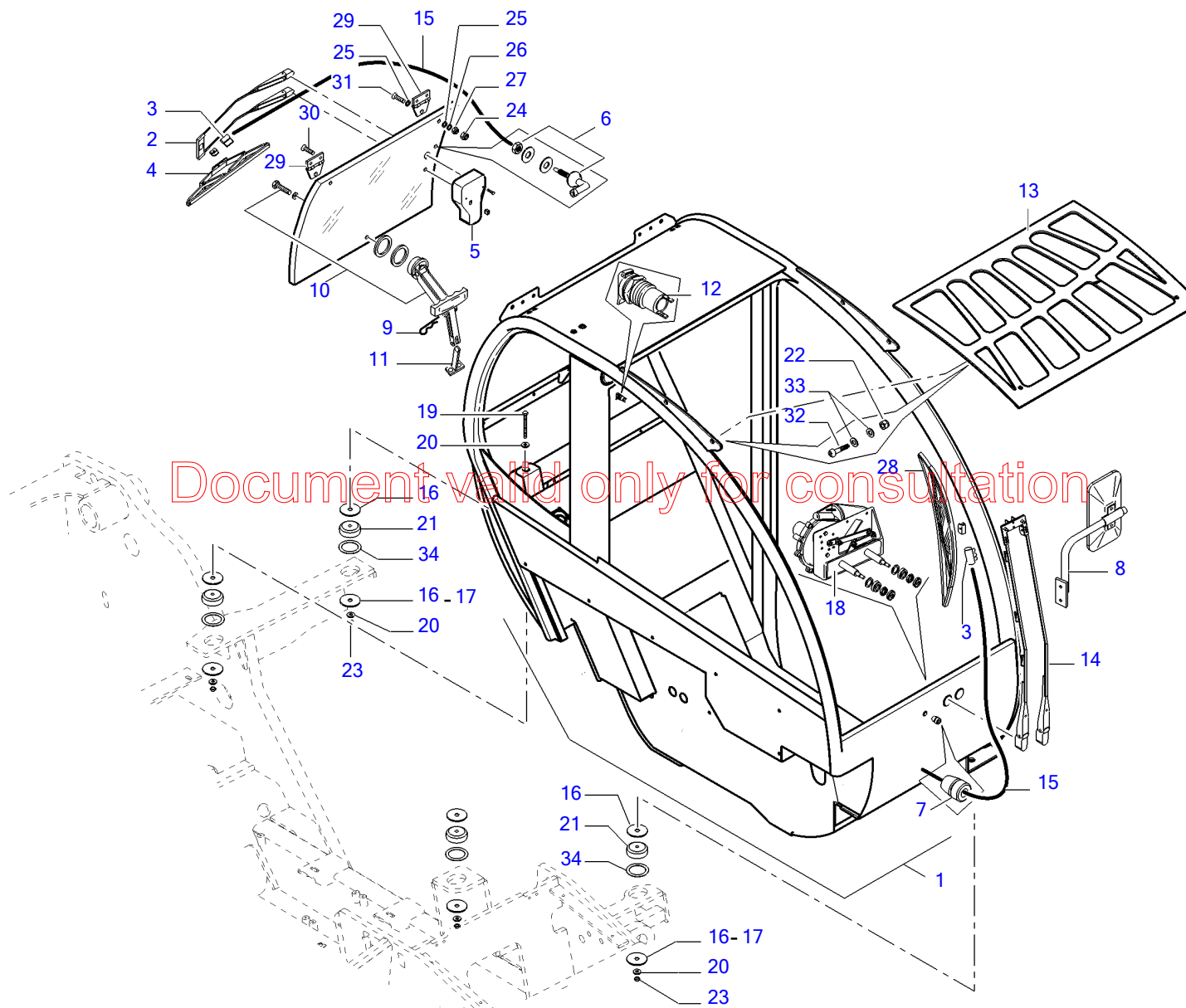
Reference: 10-00050_00

POS.	CODE	Q.TY	UNIT	DESCRIPTION
1	BEN9012	1		KEY
2	BAA7258	1		SCREW
3	BAG4118	1		NUT
4	BAL5115	1		WASHER
5	BAL5124	1		WASHER
6	BCN9932	1		LINKAGE
7	BHG3032	1		DIESEL TANK CAP
8	BSH0900	1		DIESEL TANK
9	BSH9035	1		WASHER
10	BVP1677	1		FILTER
11	BVP1689	1		FLOAT
12	BVP1691	1		GASKET
13	CAA1957	1		SCREW
14	PAZ2002/CL	1		SPACER
15	BWF1100	8		CLAMP
16	BKA2225	1		FUEL PIPE
17	BKA2118	1		FUEL PIPE
18	BKA2145	1		FUEL PIPE
19	BKA2245	1		FUEL PIPE

Document valid only for consultation

DESCRIPTION	REFERENCE	PAGE
CAB SUPPORTS	20-00010_00	11
LEFT DOOR	20-00020_00	12
GLASSES AND GASKETS	20-00030_00	13
INTERNAL PLASTIC PARTS	20-00040_00	14
STEERING COLUMN	20-00060_00	15
PEDALS	20-00070_00	16
MECHANICAL SEAT	20-00080_01	17
HEATER	20-00100_00	18

Document valid only for consultation



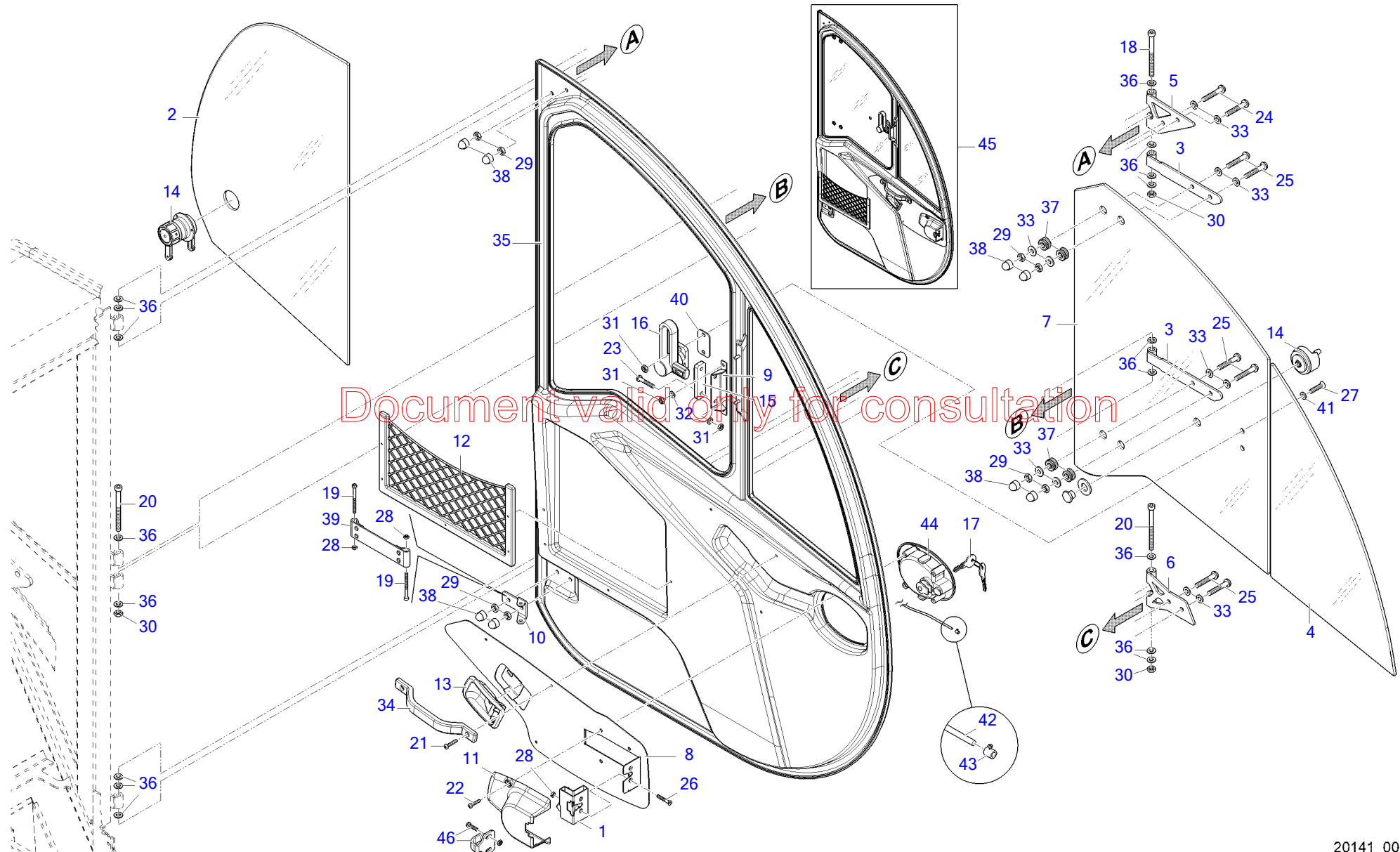


CAB SUPPORTS

Reference: 20-00010_00

POS.	CODE	Q.TY	UNIT	DESCRIPTION
1	BXO1065/0D2	1		COMPLETE CAB
2	3E.31593	1		WINDOW WIPER ARM
3	★	1		NOT AVAILABLE ALONE
4	BEQ0112	1		WINDOW WASHER BRUSH
5	3E.31592	1		WIPER MOTOR
6	BEQ0114	1		BULKHEAD
7	3E.31371	1		BULKHEAD
8	BEQ0125	1		REAR VIEW MIRROR
9	BWH2104	1		COTTER PIN
10	3E.31448	1		HANDLE
11	3E.1606014C	1		LOCK
12	BEN1050	1		SOCKET
13	3E.1614002C	1		PROTECTION
14	3E.31416	1		WINDOW WIPER ARM
15	BIL2000	1	M	PIPE
16	PON1010/CL	1		WASHER
17	PON1003/CL	1		WASHER
18	3E.31415	1		WIPER MOTOR
19	BAA7466	1		SCREW
20	BAL5121	1		WASHER
21	BSH9023	1		ANTI-VIBRATION UNITS
22	BAG4104	1		NUT
23	BAG4107	1		NUT
24	BSC0037	1		NUT COVER
25	BSH9031	1		RUBBER GASKET
26	BAL5113	1		WASHER
27	BAG4117	1		NUT
28	3E.31417	1		WINDOW WASHER BRUSH
29	3E.31447	1		HINGE
30	BAE3530	1		SCREW
31	BAE3534	1		SCREW
32	BAE2024	1		SCREW
33	BAL5116	1		WASHER
34	CARLA0001605	1		SHIM

Document valid only for consultation





LEFT DOOR

Reference: 20-00020_00

POS.	CODE	Q.TY	UNIT	DESCRIPTION
1	3E-019000511	1		LOCK
2	3E.1614010V	1		REAR LATERAL GLASS
3	3E.1647003C	1		HINGE
4	3E.1647003V	1		DOOR GLASS
5	3E.1647004C	1		HINGE
6	3E.1647005C	1		HINGE
7	3E.1647005V	1		DOOR GLASS
8	3E.1647006C	1		SUPPORT
9	3E.1647114	1		SUPPORT
10	3E.1647115	1		SUPPORT
11	3E-1647401	1		COVERING PANEL
12	3E.31403	1		STORAGE NET
13	3E.31408	1		HANDLE
14	3E.61012	1		DOOR LOCK
15	3E.61041	1		LOCK
16	3E.62019	1		HANDLE
17	BEN9012	1		KEY
18	BAB1269	1		SCREW
19	BAB5160	1		SCREW
20	BAB5270	1		SCREW
21	BAE1250	1		SCREW
22	BAE1302	1		SCREW
23	BAE2004	1		SCREW
24	BAE2008	1		SCREW
25	BAE2010	1		SCREW
26	BAE3510	1		SCREW
27	BAE3512	1		SCREW
28	BAG4116	1		NUT
29	BAG4117	1		NUT
30	BAG4118	1		NUT
31	BAG8110	1		NUT
32	BAL5111	1		WASHER
33	BAL5112	1		WASHER
34	BCG2100	1		HANDLE
35	BCG3272	1		DOOR

Document valid only for consultation

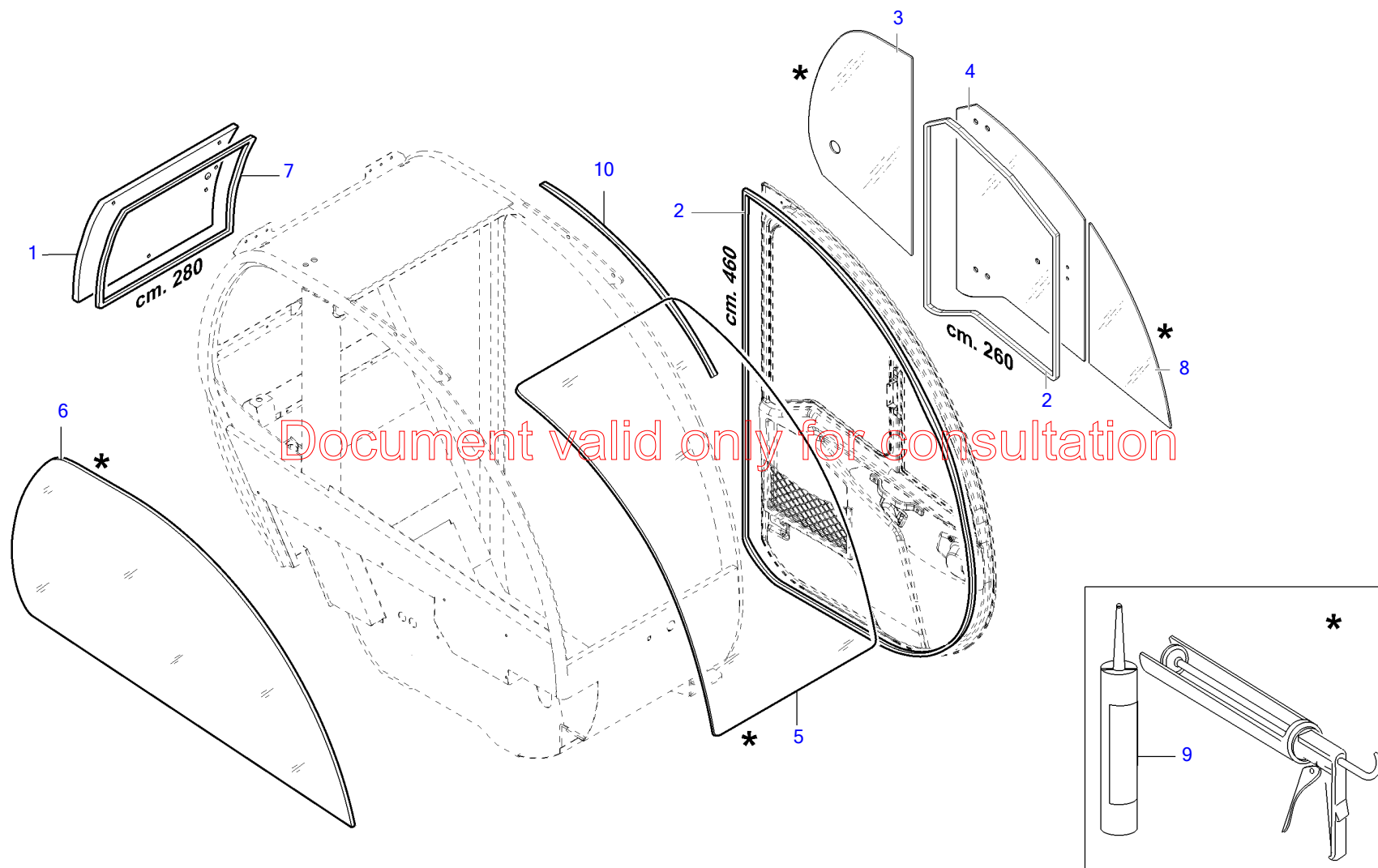


LEFT DOOR

Reference: 20-00020_00

POS.	CODE	Q.TY	UNIT	DESCRIPTION
36	BSC0004	1		WASHER
37	BSC0022	1		THROUGH GROMMET
38	BSC0037	1		NUT COVER
39	BSC0070	1		STRAP
40	BSC0074	1		GASKET
41	BSC0075	1		WASHER
42	BWC1104	1		INTERNAL CABLE
43	BWC5100	1		CLAMP
44	BWD0819	1		HANDLE
45	BCG3272/F	1		COMPLETE DOOR
46	BSC0159	1		DOOR STRIKER

Document valid only for consultation



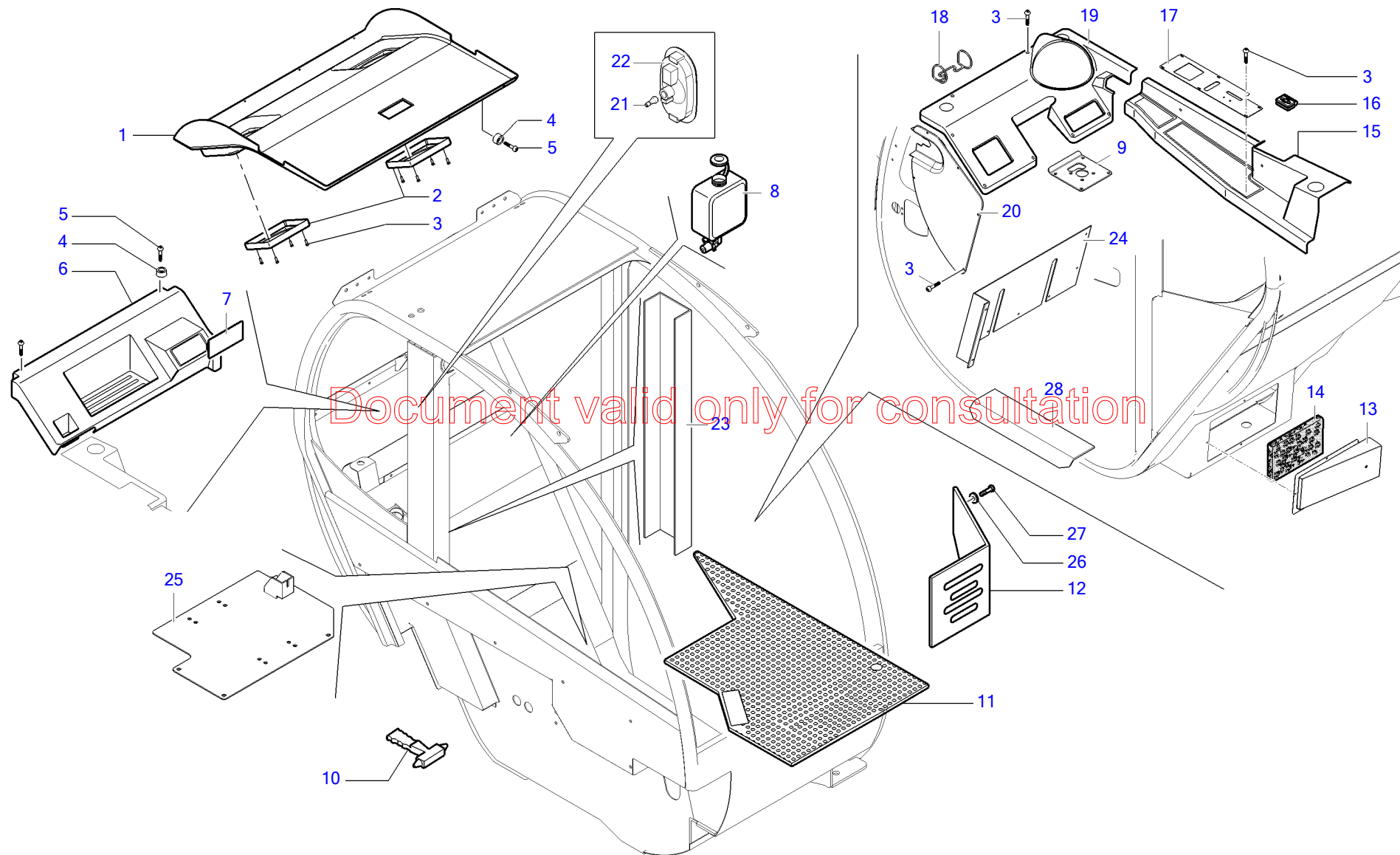


GLASSES AND GASKETS

Reference: 20-00030_00

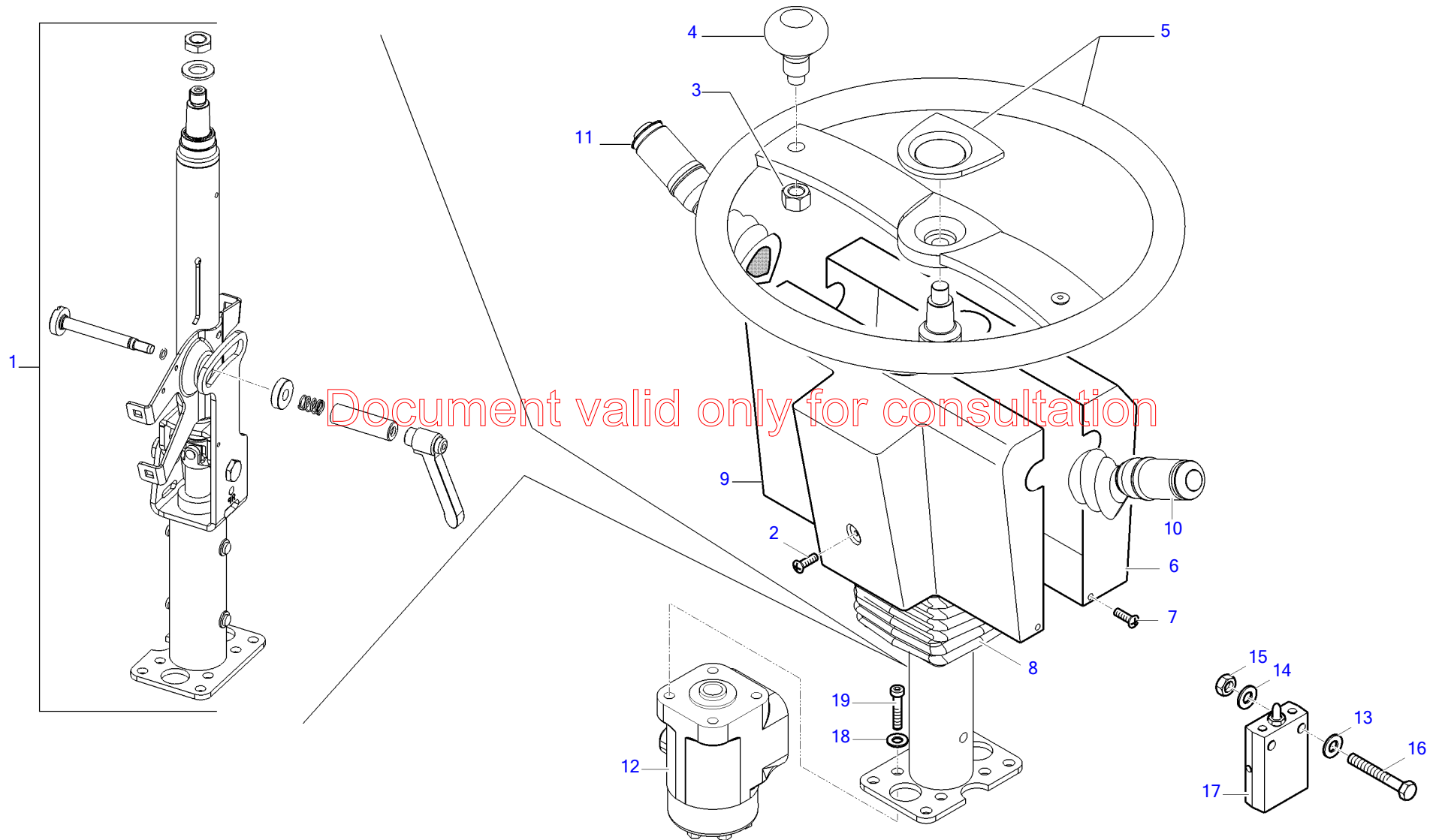
POS.	CODE	Q.TY	UNIT	DESCRIPTION
1	3E.1614009V	1		REAR GLASS
2	3E.51086	1	M	GASKET
3	3E.1614010V	1		REAR LATERAL GLASS
4	3E.1647005V	1		DOOR GLASS
5	3E.1614001V	1		FRONT GLASS
6	3E.1614011V	1		RIGHT GLASS
7	BSC0199	1	M	GASKET
8	3E.1647003V	1		DOOR GLASS
9	BSC0242	1		SEALING AGENT
10	BSH9070	2	M	ADHESIVE SPONGE

Document valid only for consultation



POS.	CODE	Q.TY	UNIT	DESCRIPTION
1	3E.1614205	1		UPPER COVER
2	3E.31235	1		CASING COVER
3	BAE2001	1		SCREW
4	BSH9034	1		WASHER
5	BAE3502	1		SCREW
6	3E.1614204	1		HOUSING
7	3E.31236	1		COVERING PANEL
8	BEQ2017	1		WIPER WASHER TANK
9	3E.1612046	1		METAL SHEET
10	AAF0010	1		EMERGENCY HAMMER
11	3E.1628402	1		NO-SLIP PLATFORM
12	3E.1614011C	1		HOUSING
13	3E.1647002C	1		HOUSING
14	3E.1614228	1		AIR FILTER
15	3E.1614203	1		INSTRUMENT PANEL
16	3E.31418	1		STEERING WHEEL BLOCK
17	CVC5951	1		FASTENING PLATE
18	BVU2003	1		NOTEBOOK HOLDER SPRING
19	3E.1628401	1		INSTRUMENT PANEL
20	3E.1647400	1		HOUSING
21	BEM4017	1		LAMP
22	3E.31587	1		CEILING LIGHT
23	3E.1614201	1		HOUSING
24	3E.1614065	1		METAL SHEET
25	3E.1647007C	1		METAL SHEET
26	BAL5111	1		WASHER
27	BAE1251	1		SCREW
28	3E.1614225	1		STEP

Document valid only for consultation



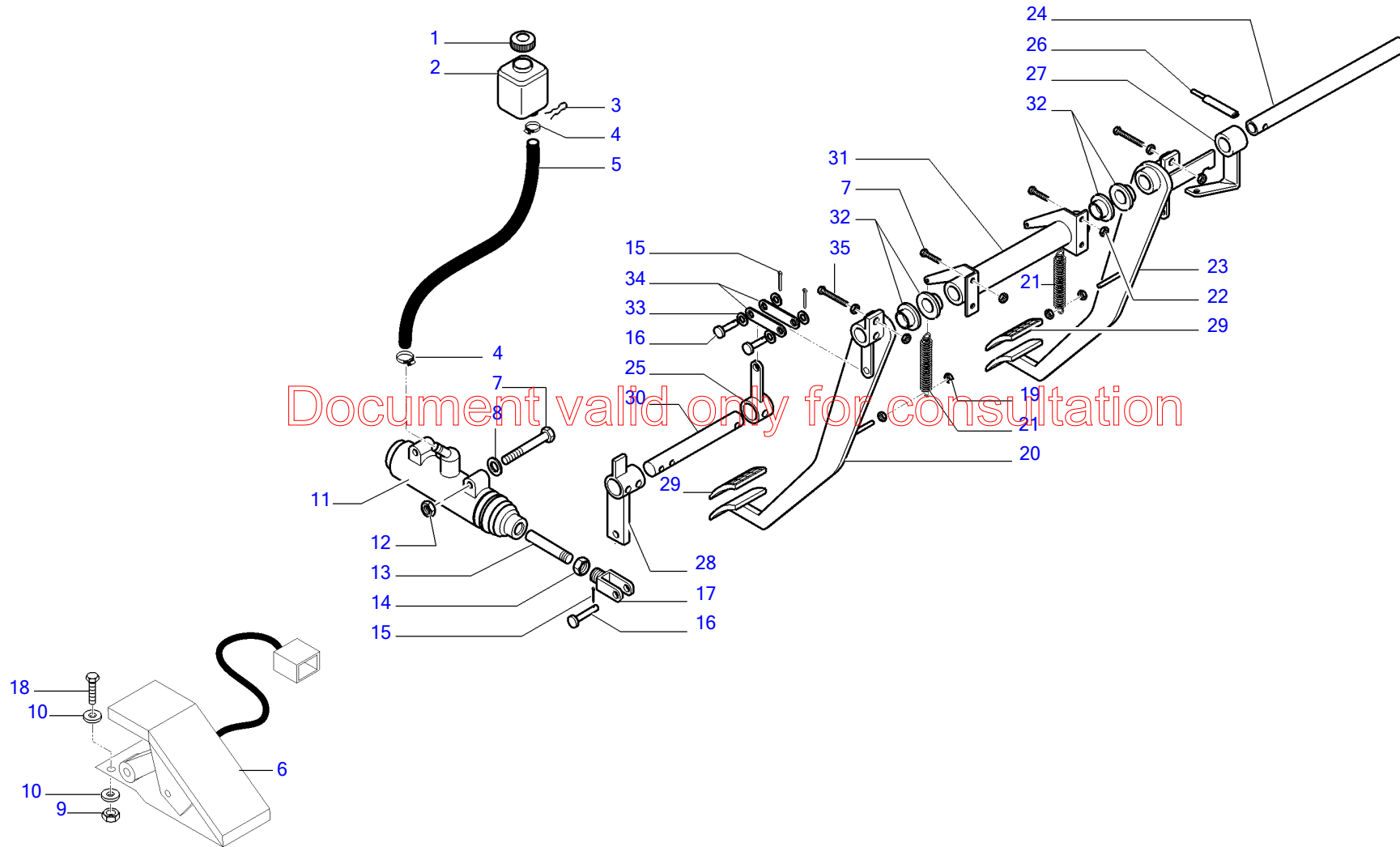


STEERING COLUMN

Reference: 20-00060_00

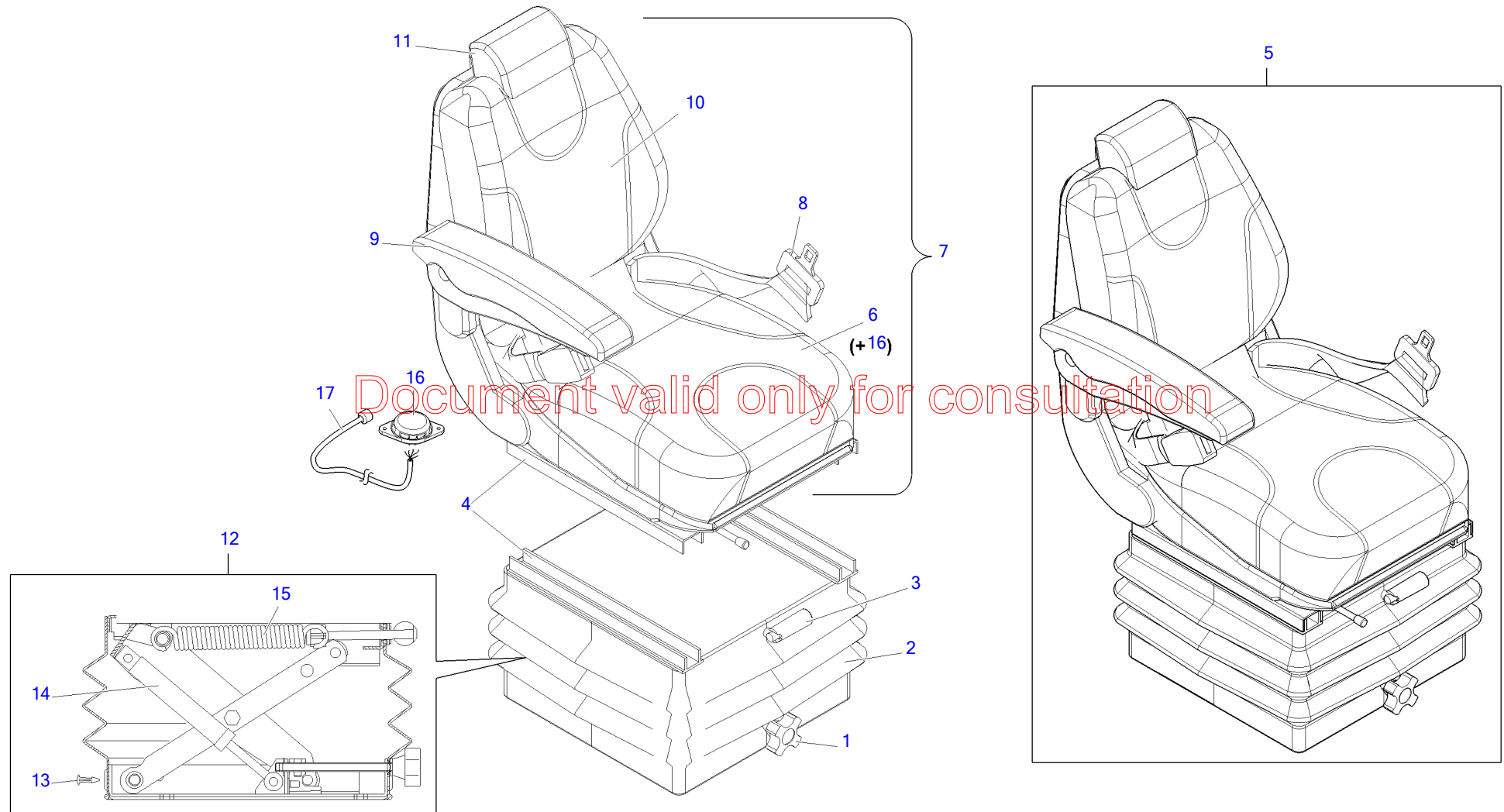
POS.	CODE	Q.TY	UNIT	DESCRIPTION
1	4C.PSIB0010	1		STEERING WHEEL BLOCK
2	BAE1301	1		SCREW
3	BAG3118	1		NUT
4	BVV1104	1		KNOB
5	BVV1103	1		STEERING WHEEL
6	4C.00521743	1		COVER
7	BAE1209	1		SCREW
8	4C.103034	1		BELLOWS
9	4C.00521742	1		COVER
10	4C.116088	1		LIGHT SWITCH
11	4C.116107	1		GEAR SWITCH
12	BHF3136	1		POWER STEERING
13	BAL5113	1		WASHER
14	BAL5112	1		WASHER
15	BAG4117	1		NUT
16	BAA7208	1		SCREW
17	BHE1226	1		PEDALS
18	BAL3310	1		WASHER
19	BAB5252	1		SCREW

Document valid only for consultation



POS.	CODE	Q.TY	UNIT	DESCRIPTION
1	3E.31469	1		PLUG
2	3E.31467	1		TANK
3	BFG1601	1		COTTER PIN
4	BWF1100	1		CLAMP
5	BKA1170	1		PIPE
6	BCI2094	1		ACCELERATOR PEDAL
7	BAA7202	1		SCREW
8	BAL5112	1		WASHER
9	BAG4116	1		NUT
10	BAL5110	1		WASHER
11	BFC2204	1		BRAKE PUMP
12	BAG4117	1		NUT
13	3E.1606265	1		PIN
14	BAG2119	1		NUT
15	BWH1111	1		COTTER PIN
16	BWR2104	1		PIN
17	BWR3106	1		FORK
18	BAA7150	1		SCREW
19	BAG4118	1		NUT
20	3E.1606005C	1		PEDAL
21	3E.31586	1		SPRING
22	BAG3117	1		NUT
23	3E.1606006C	1		PEDAL
24	3E.1606056	1		PIN
25	3E.1606007C	1		RETURN LEVER
26	BWS2200	1		ELASTIC PIN
27	3E.1606009C	1		RETURN LEVER
28	3E.1606008C	1		RETURN LEVER
29	BWD1011	1		COVER
30	3E.1606057	1		PIN
31	3E.1606004C	1		SUPPORT
32	BWR7214	1		BUSH
33	BAL5111	1		WASHER
34	3E.1606091	1		RETURN LEVER
35	BAA7210	1		SCREW

Document valid only for consultation



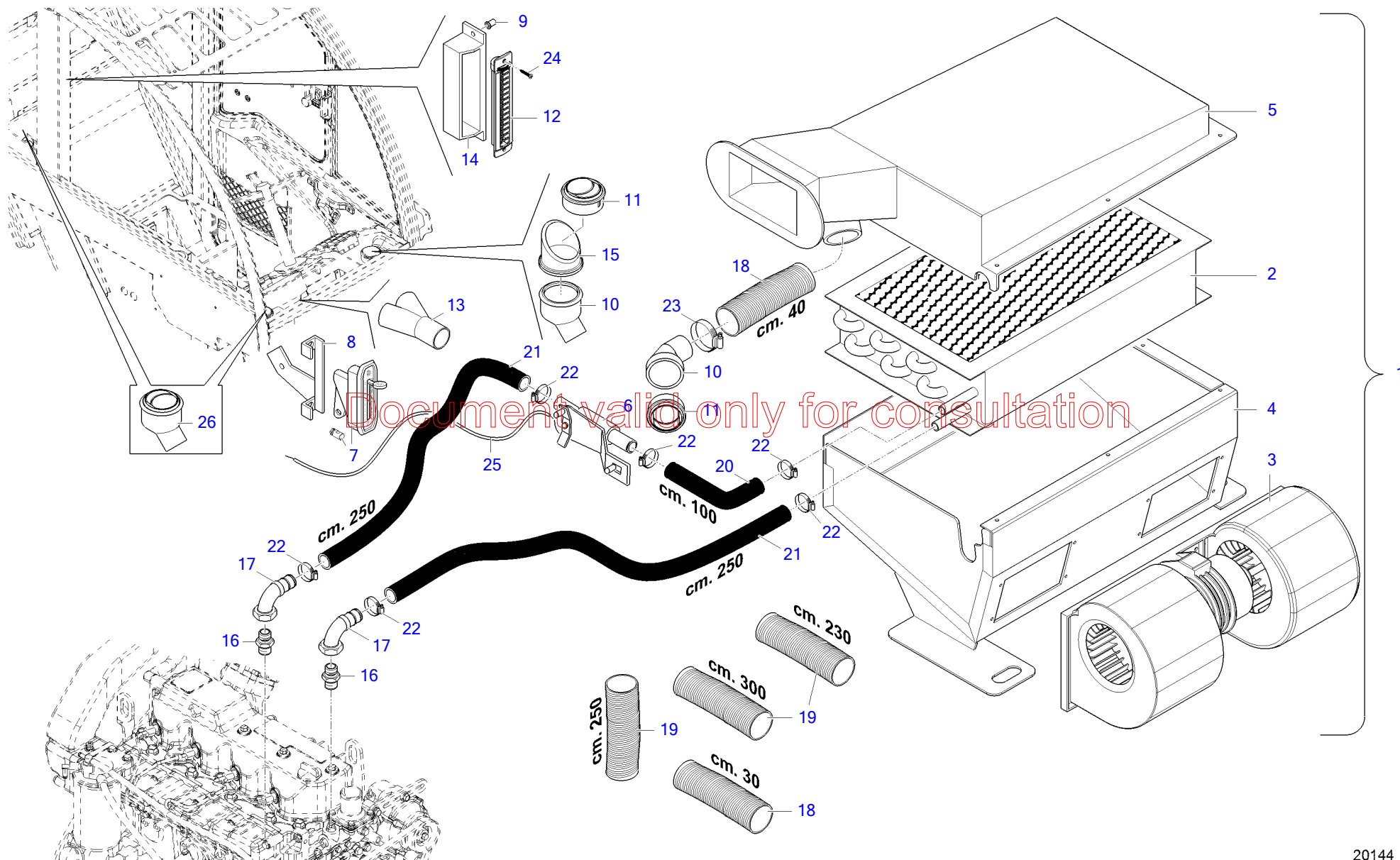


MECHANICAL SEAT

Reference: 20-00080_01

POS.	CODE	Q.TY	UNIT	DESCRIPTION
1	6S.PLA250	1		HEIGHT ADJUSTMENT HANDWHEEL
2	6S.ACC251	1		BELLOWS
3	6S.PLA028G	1		RECOVERY LEVER
4	6S.GUI001C	1		GUIDES
5	BVB1156	1		COMPLETE SEAT
6	6S.FLA200VN	1		PILLOW
7	BVB1158	1		COMPLETE SEAT
8	6S.ACC025	1		SAFETY BELT
9	6S.ACC980DX	1		ARMREST
10	6S.FLA201VN	1		BACK
11	6S.INA951VN	1		HEADREST
12	6S.MOL250	1		MECHANICAL SUSPENSION
13	6S.PLA251	1		CLIPS FOR BELLOWS
14	BVB5170	1		GAS SPRING
15	6S.ACC250	1		SPRING
16	BVB5246	1		MICROSWITCH
17	6S.ACC954	1		ELECTRICAL CABLE

Document valid only for consultation





HEATER

Reference: 20-00100_00

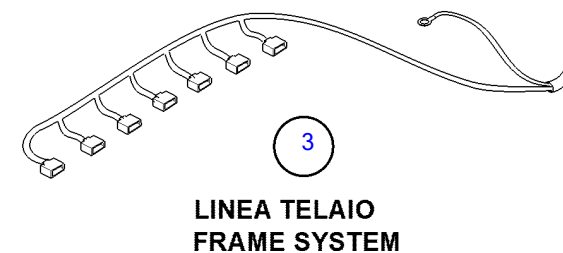
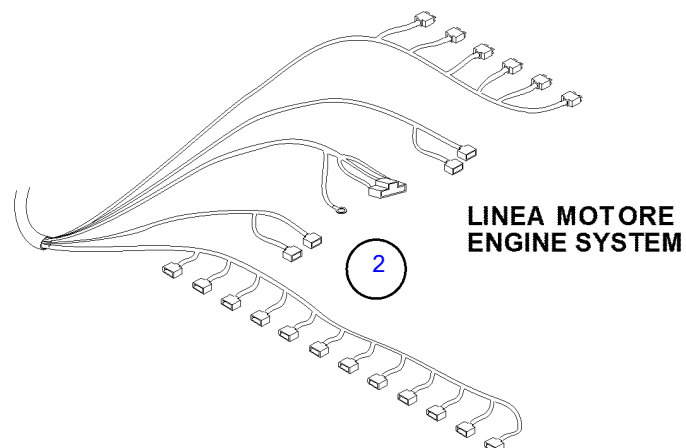
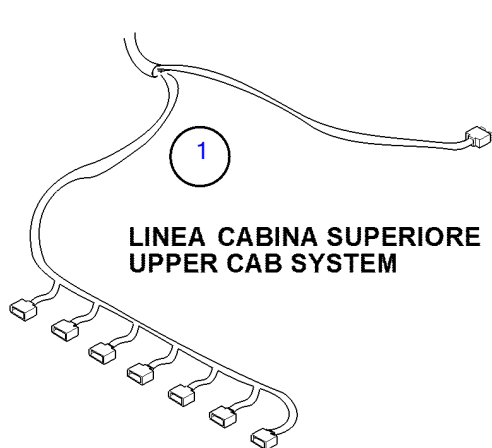
POS.	CODE	Q.TY	UNIT	DESCRIPTION
1	3E-080000996	1		HEATER KIT
2	3E.051000061	1		• EVAPORATOR
3	3E.058000285	1		• MOTOR
4	3E.1614024C	1		• HEATER BOX
5	3E.1614025C	1		• CONVEYOR
6	3E.31378	1		TAP
7	3E.63042	1		LEVER
8	3E.63043	1		SUPPORT
9	BAF2008	2		THREADED INSERT
10	BEQ1209	2		OPENING FITTING
11	BEQ1210	2		INTAKE VENT
12	BEQ1216	1		INTAKE VENT
13	BEQ1219	1		Y FITTING
14	BEQ1220	1		SPEAKER HOLDER
15	BEQ1221	1		SPEAKER HOLDER
16	BHA0120	2		NIPPLE
17	BHA0285	2		HOSE HOLDER CURVE
18	BIM1000	2	M	PIPE
19	BIM1300	3		PIPE
20	BKA4000	1	M	PIPE
21	BKA4300	2		PIPE
22	BWF1104	6		CLAMP
23	BWF1113	1		CLAMP
24	CAA1956	4		SCREW
25	3E-080000928	1		CABLE+ SHEATH
26	3E-040000859	2		INTAKE VENT

Document valid only for consultation

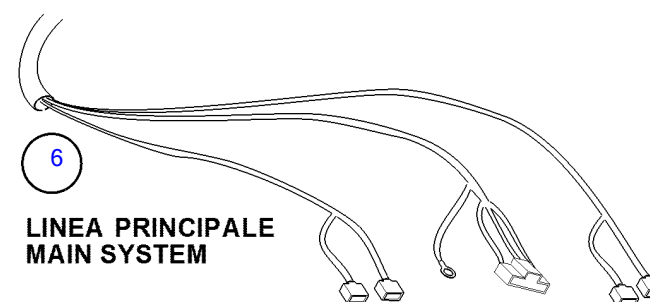
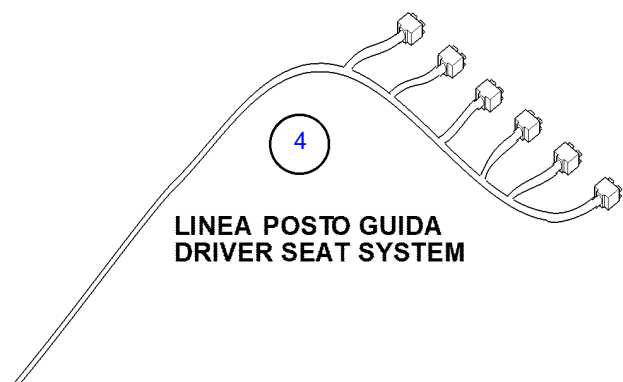


DESCRIPTION	REFERENCE	PAGE
ELECTRIC LINES	30-00010_00	20
ELECTRICAL CONTROL UNIT	30-00020_00	21
BUTTONS AND SELECTORS	30-00030_00	22
JOYSTICK FOR DISTRIBUTORS	30-00040_00	23
EXTERNAL ELECTRICAL PARTS	30-00050_00	24
HEADLIGHTS - LIGHTS	30-00060_00	25

Document valid only for consultation



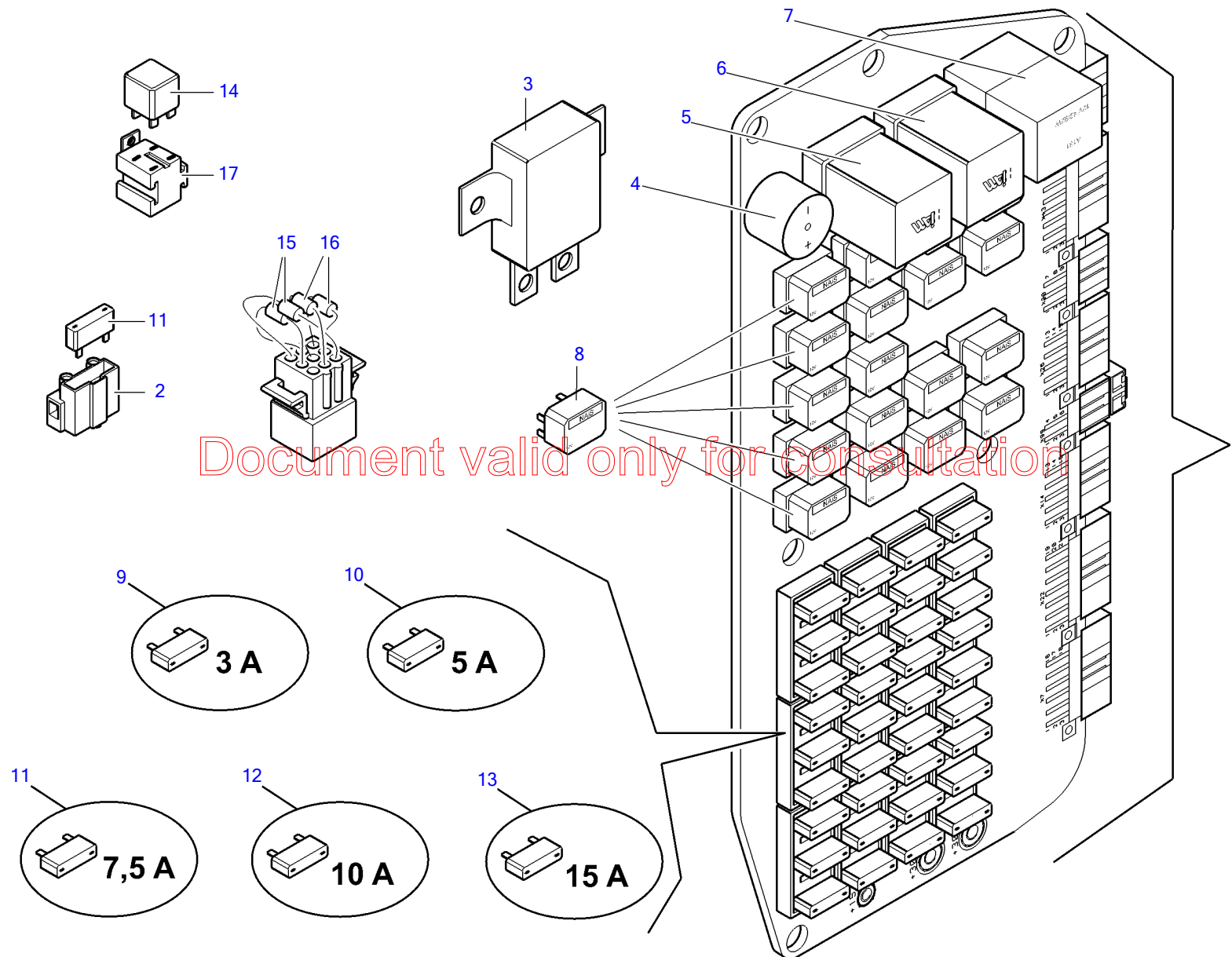
Document valid only for consultation





POS.	CODE	Q.TY	UNIT	DESCRIPTION
1	4C.0A009517	1		UPPER CAB LINE
2	4C.0A026143	1		ENGINE LINE
3	4C.0A028175	1		FRAME LINE
4	4C.0A028160	1		DRIVER'S SEAT LINE
5	4C.0A009516	1		REAR ELECTRICAL LINE
6	4C.0A009510	1		MAIN LINE

Document valid only for consultation



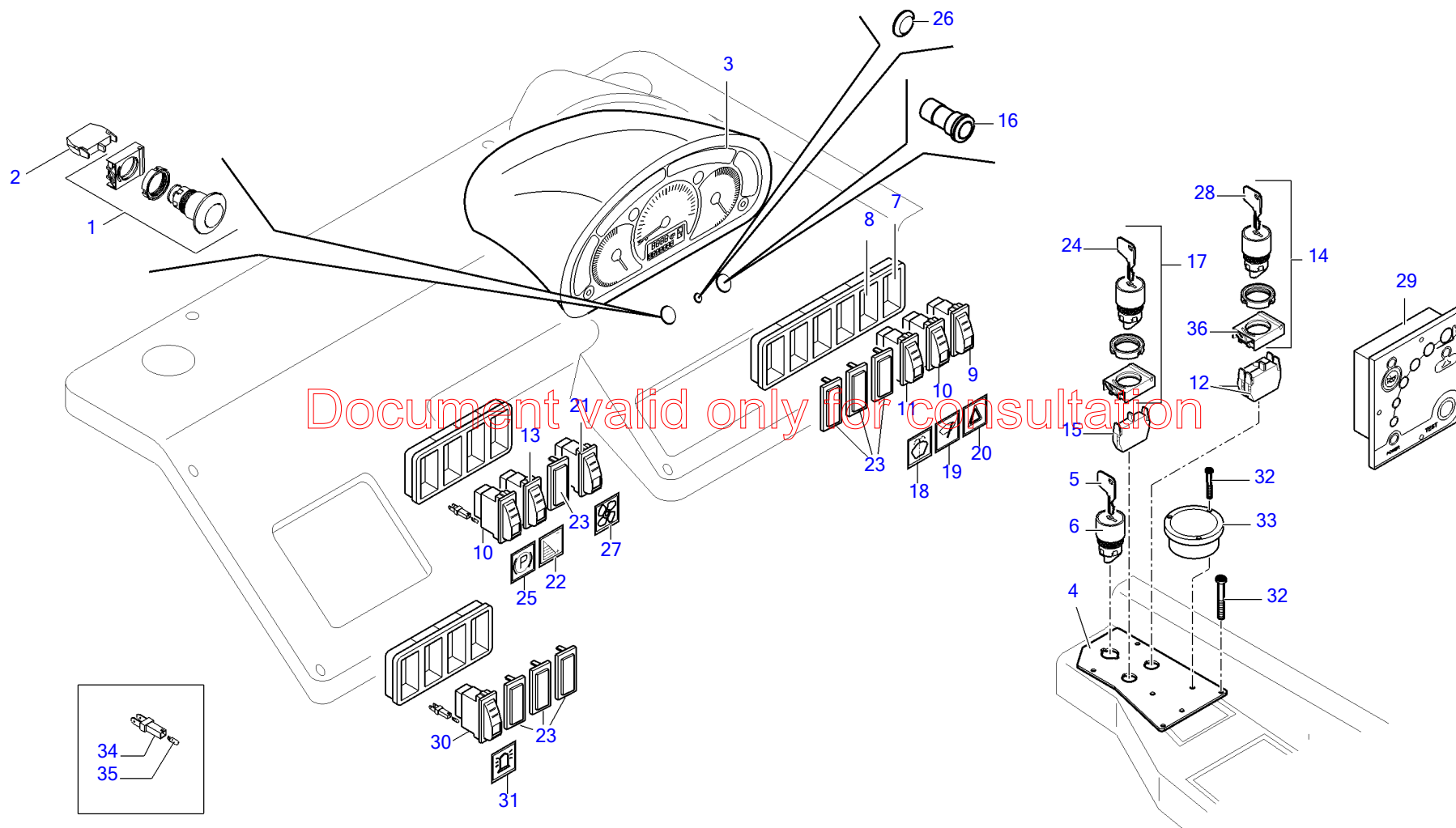


ELECTRICAL CONTROL UNIT

Reference: 30-00020_00

POS.	CODE	Q.TY	UNIT	DESCRIPTION
1	4C.01177173	1		ELECTRICAL CONTROL UNIT
2	4C.XE0800569	1		FUSE HOLDER CONNECTOR
3	4C.157115	1		RELAY
4	4C.112017	1		BUZZER
5	4C.1802760000	1		TIMER
6	4C.01171045	1		ANTI-RESTART CONTROL UNIT
7	4C.105021	1		INTERMITTENT
8	4C.157061	1		RELAY
9	4C.163010	1		FUSE (3A)
10	4C.163031	1		FUSE (5A)
11	BEG2098	1		FUSE (7,5A)
12	BEG2097	1		FUSE (10A)
13	BEG2110	1		FUSE (15A)
14	4C.157061	1		RELAY
15	4C.303754006	1		DIODE 1A (1A)
16	4C.303754024	1		DIODE 1A (6A)
17	4C.XE0801086	1		CONNECTOR

Document valid only for consultation





BUTTONS AND SELECTORS

Reference: 30-00030_00

POS.	CODE	Q.TY	UNIT	DESCRIPTION
1	4C.106351	1		PALM BUTTON
2	1P.P9B01VN	1		BLOCK
3	4C.05500036	1		INSTRUMENT PANEL
4	3E.1628100	1		METAL SHEET
5	BEN9012	1		KEY
6	4C.109058	1		START WITH KEY SWITCH
7	4C.100202	1		TERMINAL SWITCH HOLDER FRAME
8	4C.100201	1		INTERMEDIATE SWITCH HOLDER FRAME
9	4C.106AA014	1		SWITCH
10	4C.106AA024	1		SWITCH
11	4C.106AA010	1		SWITCH
12	1P.P9B11VN	1		BLOCK
13	4C.106AA007	1		SWITCH
14	1P.P9MSCX0Z95	1		SELECTOR
15	1P.P9B10VN	1		BLOCK
16	4C.133009	1		CIGARETTE LIGHTER RECEPTACLE
17	4C.106128	1		SELECTOR
18	BEM3079	1		INDICATOR GLASS
19	4C.77514	1		INDICATOR GLASS
20	BEM3070	1		INDICATOR GLASS
21	4C.106AA009	1		SWITCH
22	4C.77445	1		INDICATOR GLASS
23	BEN1022	1		SNAP CAP
24	4C.73037	1		RED KEY
25	4C.77525	1		INDICATOR GLASS
26	4C.150006	1		PLUG
27	BEM3073	1		INDICATOR GLASS
28	BEN9005	1		KEY
29	4C.34016506A1	1		SAR CONTROL UNIT
30	4C.106AA008	1		SWITCH
31	BEM3071	1		INDICATOR GLASS
32	BAE1208	1		SCREW
33	BWD0003	1		SPIRIT LEVEL
34	4C.740020	1		LAMP HOLDER
35	4C.115011	1		BULB

Document valid only for consultation

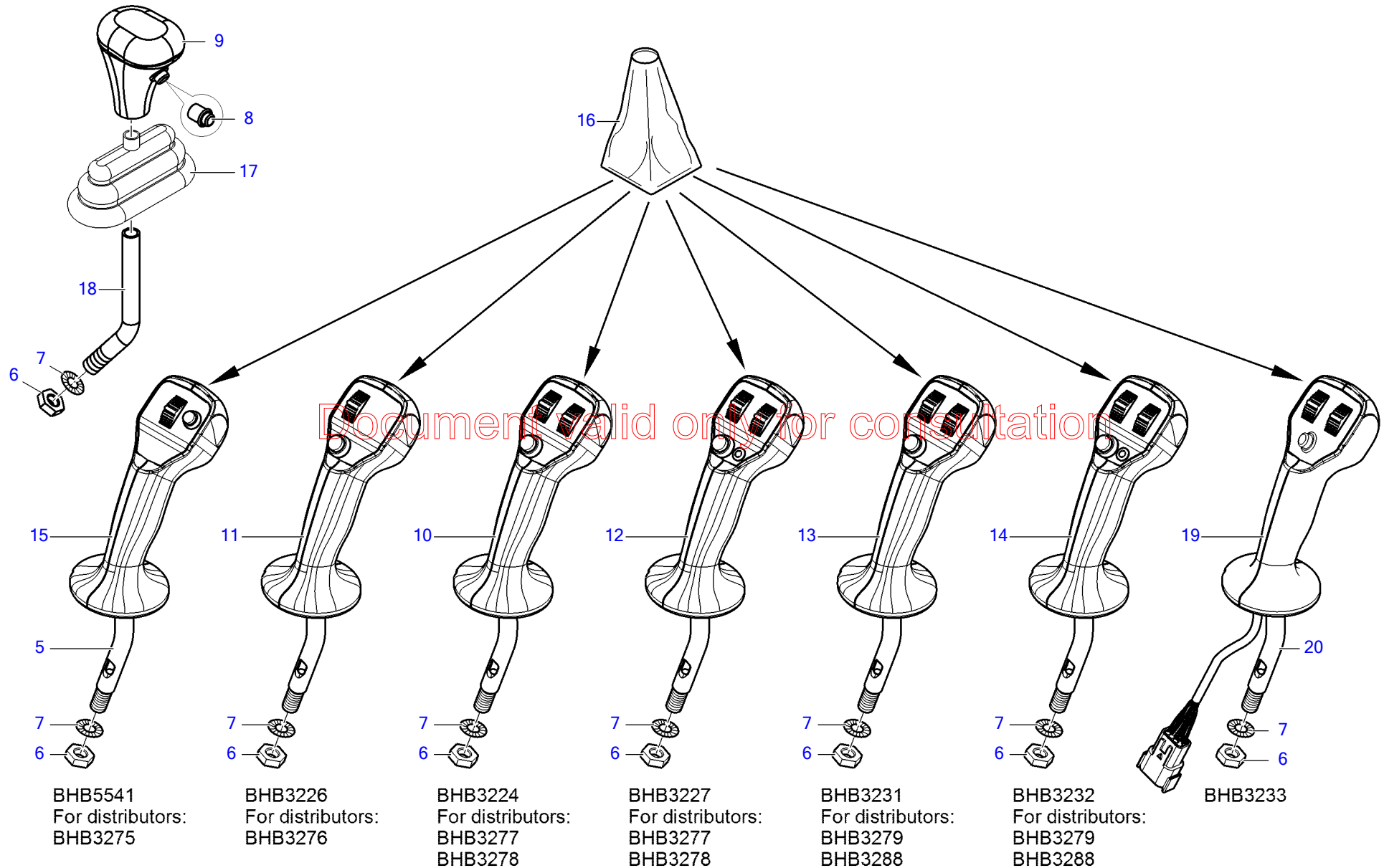


BUTTONS AND SELECTORS

Reference: 30-00030_00

POS.	CODE	Q.TY	UNIT	DESCRIPTION
36	1P.P9ACFS5	1		SUPPORT

Document valid only for consultation



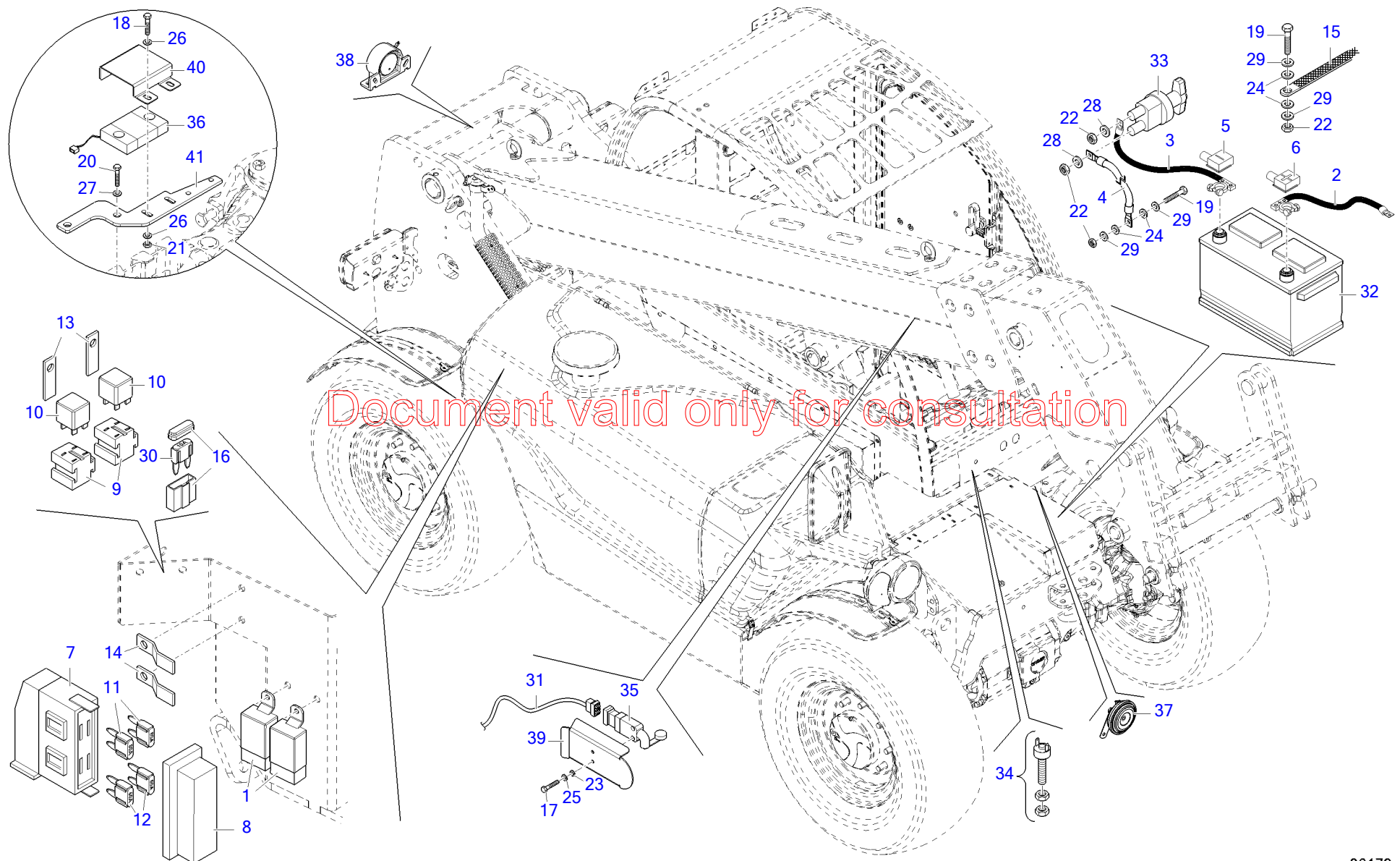


JOYSTICK FOR DISTRIBUTORS

Reference: 30-00040_00

POS.	CODE	Q.TY	UNIT	DESCRIPTION
5	4C.88800350	1		JOYSTICK ROD
6	BAG3134	1		NUT
7	BAL3311	1		WASHER
8	BEN1023	1		BUTTON
9	BEN2008	1		KNOB
10	BHB3224	1		JOYSTICK
11	BHB3226	1		JOYSTICK
12	BHB3227	1		JOYSTICK FOR PTO
13	BHB3231	1		JOYSTICK
14	BHB3232	1		JOYSTICK
15	BHB5541	1		JOYSTICK
16	BWD1120	1		COWLING
17	BWD1121	1		COWLING
18	POA2016/1CL	1		JOYSTICK ROD
19	BHB3233	1		JOYSTICK FOR FNR
20	ASM0000508	1		JOYSTICK ROD

Document valid only for consultation



POS.	CODE	Q.TY	UNIT	DESCRIPTION
1	1Y.19846152950	1		RELAY
2	4C.0A009511	1		POSITIVE BATTERY CABLE
3	4C.0A009512	1		NEGATIVE BATTERY CABLE
4	4C.0A009574	1		BATTERY ISOLATOR CABLE
5	4C.100002	1		BLACK TERMINAL COVER
6	4C.100021	1		RED TERMINAL COVER
7	4C.113623	1		FUSE HOLDER
8	4C.113624	1		FUSE HOLDER
9	4C.125033	1		RELAY HOLDER CONNECTOR
10	4C.157102	1		RELAY
11	4C.163029	1		FUSE (80A)
12	4C.163033	1		FUSE (60A)
13	4C.1C020349	1		BRACKET
14	4C.1C020458	1		FASTENING BRACKET
15	4C.760035	1		ELECTRICAL BRAID
16	4C.XE0804616	1		FUSE HOLDER
17	BAA7104	1		SCREW
18	BAA7202	1		SCREW
19	BAA7252	1		SCREW
20	BAA7302	1		SCREW
21	BAG4117	1		NUT
22	BAG4118	1		NUT
23	BAL2200	1		WASHER
24	BAL3118	1		WASHER
25	BAL5107	1		WASHER
26	BAL5112	1		WASHER
27	BAL5116	1		WASHER
28	BAL5119	1		WASHER
29	BAL5114	1		WASHER
30	BEG2097	1		FUSE (10A)
31	BEK7158	1		ELECTRIC LINE
32	BEL0016	1		BATTERY
33	BEN1060	1		BATTERY ISOLATOR
34	BEP0106	1		SWITCH (STOP)
35	BEP0429	1		LIMIT SWITCH MICROSWITCH

Document valid only for consultation

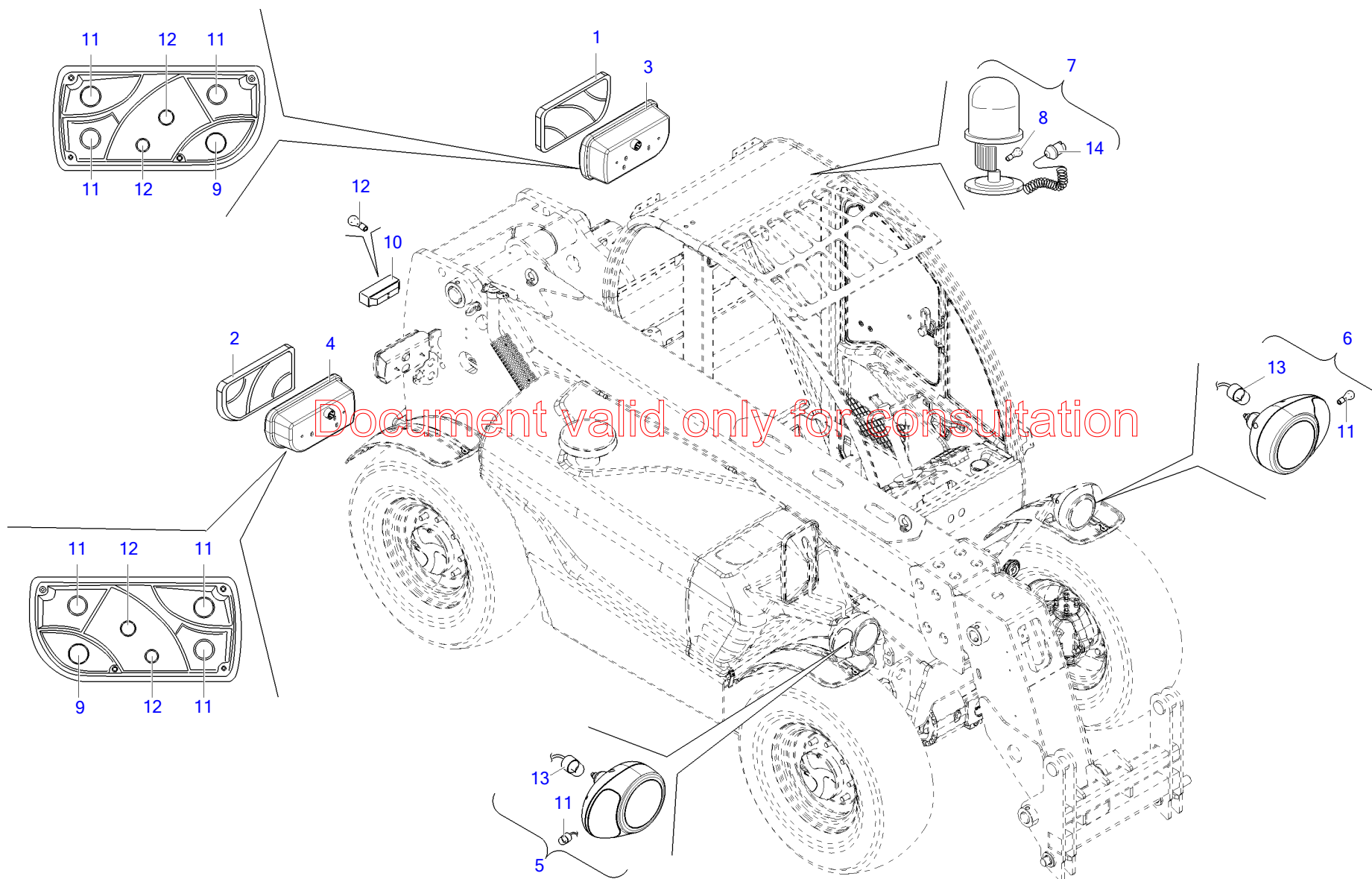


EXTERNAL ELECTRICAL PARTS

Reference: 30-00050_00

POS.	CODE	Q.TY	UNIT	DESCRIPTION
36	BEP0439	1		LOAD CELL
37	BEQ0054	1		HORN
38	BEQ0101/F	1		REVERSE GEAR BUZZER
39	CAR0001482/CL	1		MICROSWITCH COVER PLATE
40	CVC4821/CL	1		PROTECTIVE METAL SHEET
41	CVC5697/CL	1		SUPPORT

Document valid only for consultation





HEADLIGHTS - LIGHTS

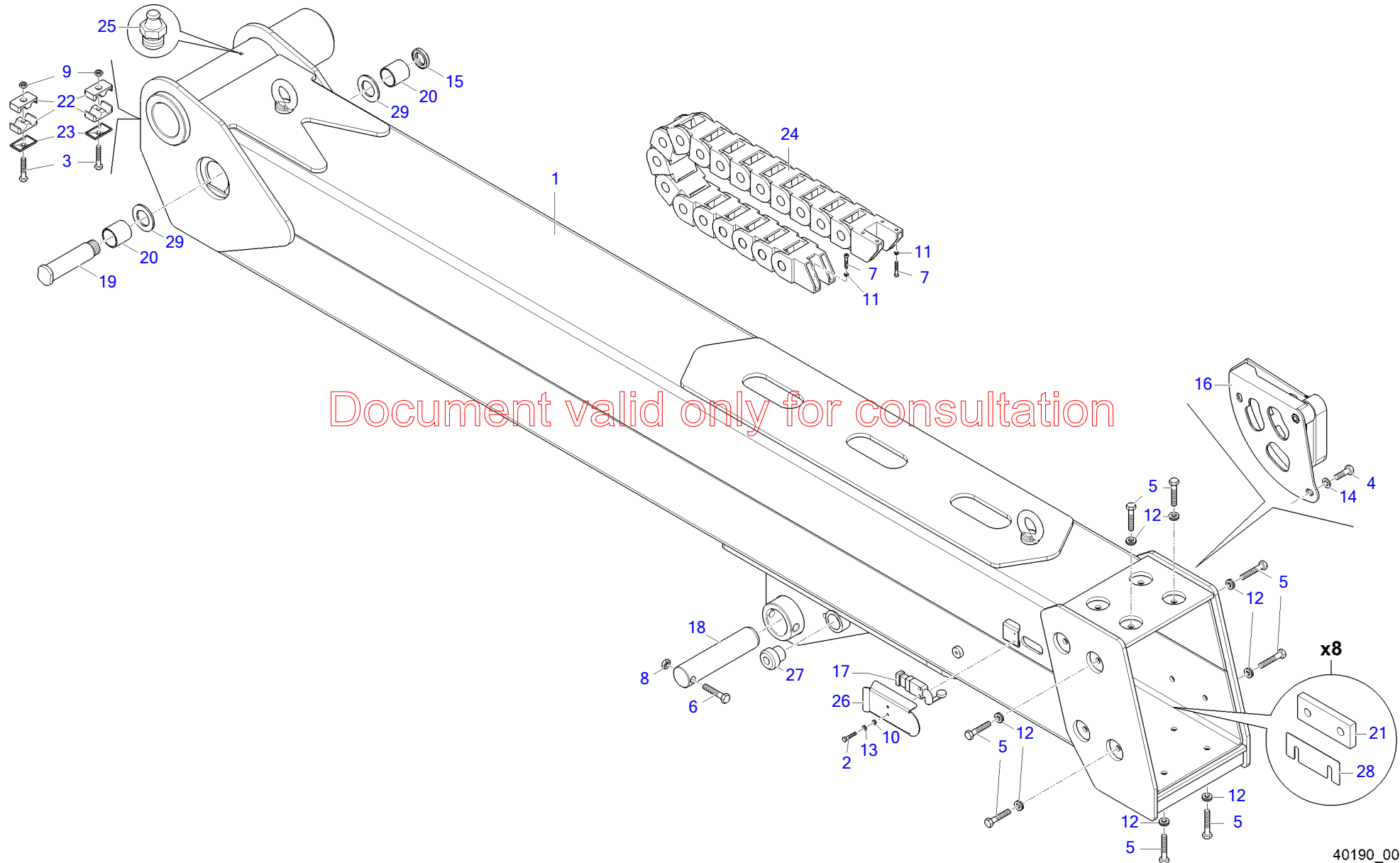
Reference: 30-00060_00

POS.	CODE	Q.TY	UNIT	DESCRIPTION
1	4C.021371020001	1		CEL FOR LH REAR HEADLIGHT
2	4C.021372020001	1		CEL FOR RH REAR HEADLIGHT
3	4C.0213730000A3	1		LH REAR HEADLIGHT
4	4C.0213740000A3	1		RH REAR HEADLIGHT
5	4C.0510530000A3	1		RH FRONT HEADLIGHT
6	4C.0510540000A3	1		LH FRONT HEADLIGHT
7	4C.110468	1		MAGNETIC ROTATING LAMP (12V)
8	4C.115067	1		LAMP
9	4C.115508	1		LAMP
10	BEM2022	1		LICENSE PLATE LIGHT
11	BEM4011	1		LAMP
12	BEM4017	1		LAMP
13	BEM4020	1		LAMP
14	BEN1052	1		PLUG FOR ROTATING LAMP

Document valid only for consultation

DESCRIPTION	REFERENCE	PAGE
EXTERNAL BOOM	40-00010_00	27
INTERNAL BOOM	40-00020_00	28
FORK CARRIAGE	40-00030_00	29
"EURO" PLATE	40-00040_00	30

Document valid only for consultation



40190_00

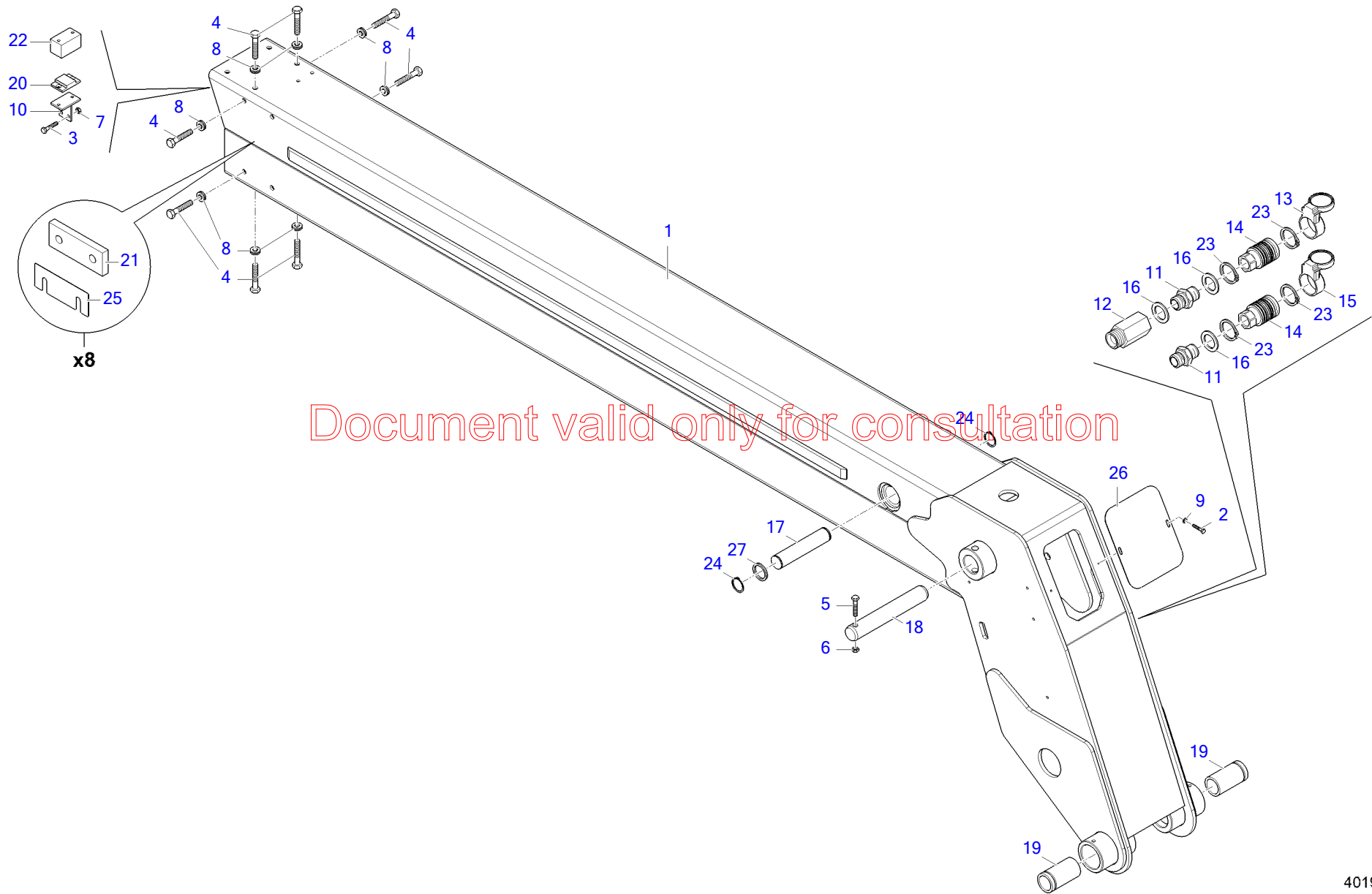


EXTERNAL BOOM

Reference: 40-00010_00

POS.	CODE	Q.TY	UNIT	DESCRIPTION
1	ASM0000614	1		EXTERNAL BOOM
2	BAA7104	1		SCREW
3	BAA7214	1		SCREW
4	BAA7252	1		SCREW
5	BAA7303	1		SCREW
6	BAA7420	1		SCREW
7	BAB5150	1		SCREW
8	BAG4106	1		NUT
9	BAG4117	1		NUT
10	BAL2200	1		WASHER
11	BAL2250	1		WASHER
12	BAL3295	1		WASHER
13	BAL5107	1		WASHER
14	BAL5114	1		WASHER
15	BAM1108	1		RING NUT
16	BCN7685	1		INCLINOMETER
17	BEP0429	1		LIMIT SWITCH MICROSWITCH
18	BRD3017N	1		PIN
19	BRI5518/1	1		PIN
20	BSF0415-3	1		BUSH
21	BSF6451	1		SHOE
22	BWF1332	1		FIXING COLLAR
23	BWF1380	1		FASTENER PLATE
24	BWF1563	1		CHAIN
25	BWI1119	1		LUBRICATOR
26	CAR0001482/CL	1		MICROSWITCH COVER PLATE
27	CUS0000064	1		BUSH
28	CVC6134	1		SHIM
29	PAS6001	1		WASHER

Document valid only for consultation



Document valid only for consultation

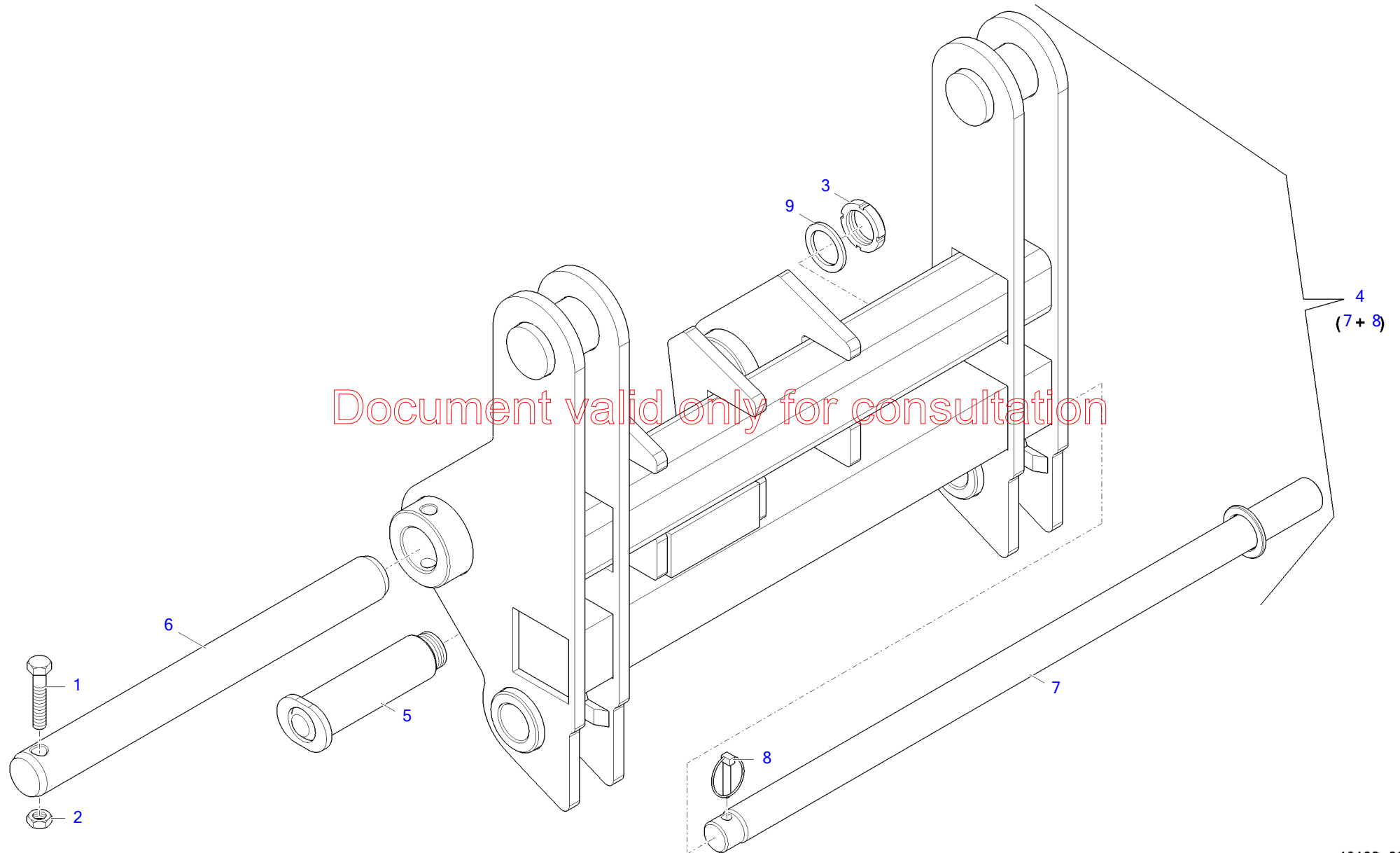


INTERNAL BOOM

Reference: 40-00020_00

POS.	CODE	Q.TY	UNIT	DESCRIPTION
1	ASM0000613	1		INTERNAL BOOM
2	BAA7150	1		SCREW
3	BAA7253	1		SCREW
4	BAA7303	1		SCREW
5	BAA7420	1		SCREW
6	BAG4106	1		NUT
7	BAG4118	1		NUT
8	BAL3295	1		WASHER
9	BAL5110	1		WASHER
10	BCN9754	1		FLANGE
11	BHA0128	1		NIPPLE
12	BHA0563	1		COLUMN
13	BHA0856	1		BLUE CAP
14	BHA0859	1		QUICK COUPLING
15	BHA0861	1		RED CAP
16	BHG4730	1		WASHER
17	BRI4521N	1		PIN
18	BRI5032N	1		PIN
19	BSF0424	1		BUSH
20	BSF6350	1		SHOE
21	BSF6451	1		SHOE
22	BSF6706	1		SHOE
23	BWQ2129	1		SEEGER
24	BWQ2136	1		SEEGER
25	CVC6134	1		SHIM
26	CVC4570/0C	1		CLOSING METAL SHEET
27	PAR2001	1		BUSH

Document valid only for consultation



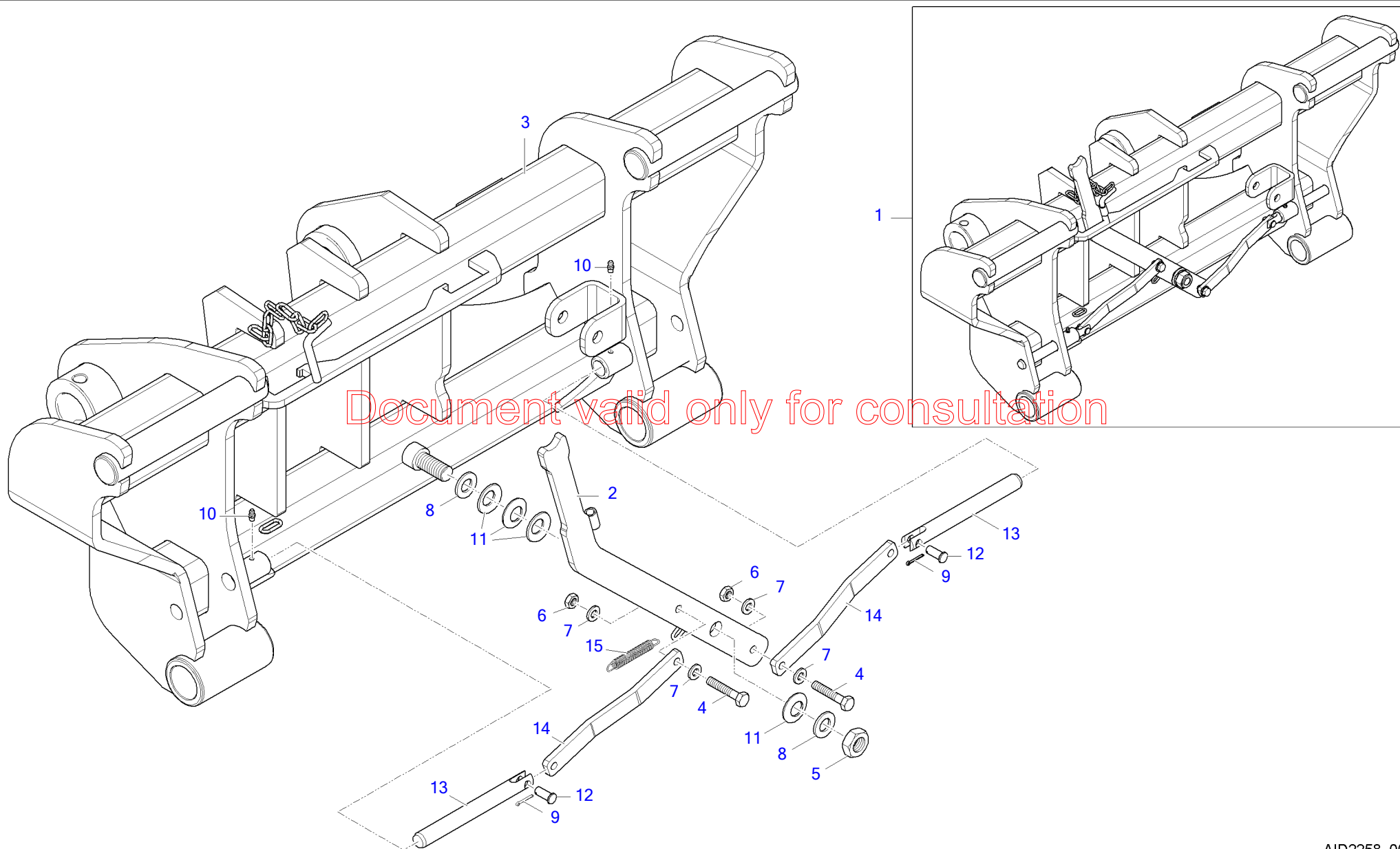


FORK CARRIAGE

Reference: 40-00030_00

POS.	CODE	Q.TY	UNIT	DESCRIPTION
1	BAA7420	1		SCREW
2	BAG4106	1		NUT
3	BAM1108	1		RING NUT
4	BCV8072/0G	1		FORKS HOLDING PLATE
5	BRI5019/FN	1		PIN
6	BRI5051N	1		PIN
7	BUD5561/CL	1		PIN
8	BWH2165	1		SNAP COTTER PIN
9	PAR4002	1		WASHER

Document valid only for consultation





"EURO" PLATE

Reference: 40-00040_00

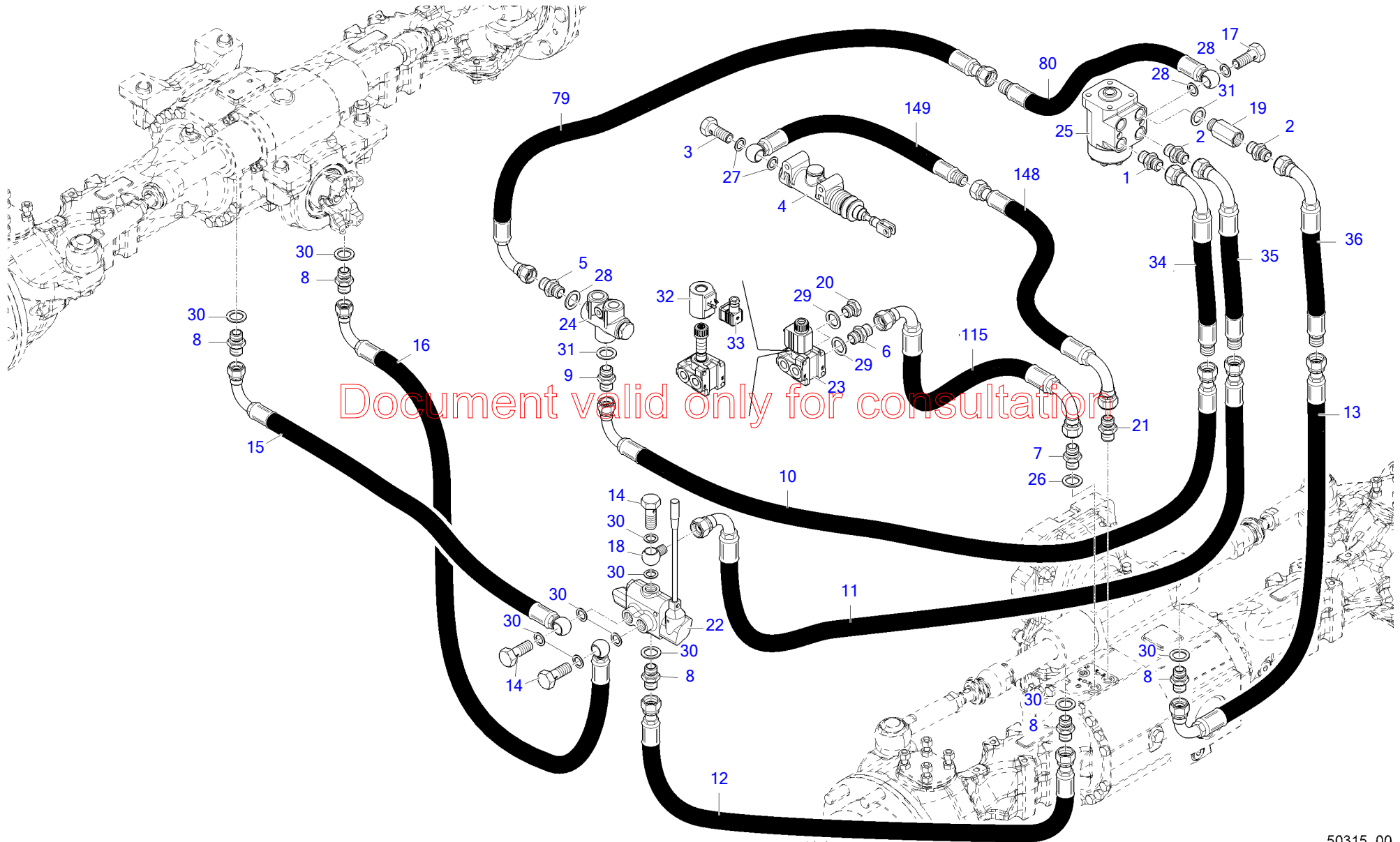
POS.	CODE	Q.TY	UNIT	DESCRIPTION
1	ATT0000082-0G	1		EURO PLATE
2	ASM0000908	1		• PLATE HANDLE
3	ASM0000909	1		• PLATE
4	BAA7256	2		• SCREW
5	BAG4107	1		• NUT
6	BAG4118	2		• NUT
7	BAL5114	4		• WASHER
8	BAL5121	2		• WASHER
9	BWH1111	2		• COTTER PIN
10	BWI1100	2		• LUBRICATOR
11	BWN3000	4		• BELLEVILLE WASHER
12	BWR2102	2		• PIN
13	CAR0004215	2		• PIN
14	CAR0004217	2		• LEVER
15	BWN2041	1		SPRING

Document valid only for consultation



DESCRIPTION	REFERENCE	PAGE
STEERING WHEEL HYDRAULIC SYSTEM	50-00010_00	32
HYDRAULIC SYSTEM - 2	50-00020_00	33
HYDRAULIC SYSTEM - 3	50-00030_00	34
RADIATOR HYDRAULIC SYSTEM	50-00050_00	35
HYDRAULIC SYSTEM FOR BOOM	50-00070_00	36
HYDRAULIC SYSTEM FOR BOOM	50-00090_01	37
BOOM SUSPENSION HYDRAULIC SYSTEM	50-00090_03	38
BOOM SUSPENSION HYDRAULIC SYSTEM	50-00110_02	39
LIFTING CYLINDER	50-00130_02	40
EXTENSION CYLINDER	50-00140_01	41
TILTING CYLINDER	50-00150_01	42
EQUIPMENT LOCKING CYLINDER	50-00155_00	43
HYDRAULIC PUMP	50-00160_00	44
4 IN 1 DISTRIBUTOR WITH PROPORTIONAL EXTENSION (BHB3277)	50-00190_00	45
STEERING DISTRIBUTOR	50-00210_00	46
JOYSTICK FOR DISTRIBUTORS	52-00070_00	47

Document valid only for consultation



POS.	CODE	Q.TY	UNIT	DESCRIPTION
1	9D.E212.116SG1/2	1		NIPPLE
2	9D.E212.312SM18X15	1		NIPPLE
3	BFA1806	1		PERFORATED SCREW
4	BFC2204	1		BRAKE PUMP
5	BHA0101	1		NIPPLE
6	BHA0102	1		NIPPLE
7	BHA0109	1		NIPPLE
8	BHA0123	1		NIPPLE
9	BHA0128	1		NIPPLE
10	BKU4650	1		PIPE
11	BKL0610	1		PIPE
12	BKL2750	1		PIPE
13	BKL0610	1		PIPE
14	BHA0403	1		PERFORATED SCREW
15	BKK8615	1		PIPE
16	BKK8590R	1		PIPE
17	BHA0408	1		PERFORATED SCREW
18	BHA0466	1		EYELET FITTING
19	BHA0523	1		COLUMN
20	BHA0634	1		PLUG
21	BHA2190/1	1		NIPPLE
22	BHB0125/D1	1		DISTRIBUTOR
23	BHE1437	1		PARKING BRAKE SOLENOID VALVE NEG.
24	BHF2111	1		LOAD SENSING VALVE
25	BHF3136	1		POWER STEERING
26	BHG4720	1		WASHER
27	BHG4721	1		WASHER
28	BHG4723	1		WASHER
29	BHG4724	1		WASHER
30	BHG4728	1		WASHER
31	BHG4730	1		WASHER
32	BHE1409/LC	1		COIL
33	BHE1407/LC	1		CONNECTOR
34	BKW8590	1		PIPE
35	BKN4580	1		PIPE

Document valid only for consultation

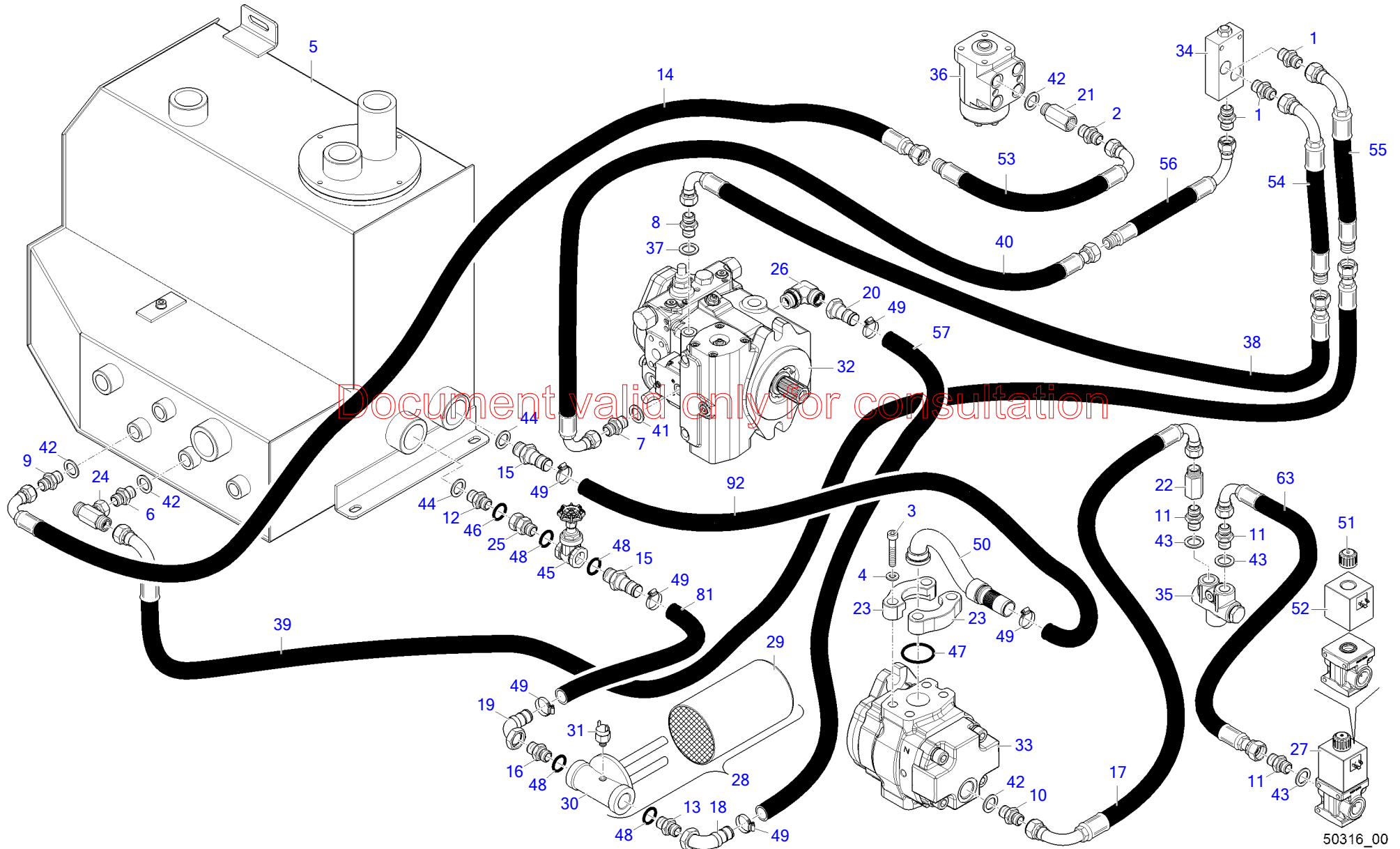


STEERING WHEEL HYDRAULIC SYSTEM

Reference: 50-00010_00

POS.	CODE	Q.TY	UNIT	DESCRIPTION
36	BKN4580	1		PIPE
79	BKF4690	1		PIPE
80	BKH5090	1		PIPE
115	BKF5120	1		PIPE
148	BKI5180	1		PIPE
149	BKJ7040	1		PIPE

Document valid only for consultation



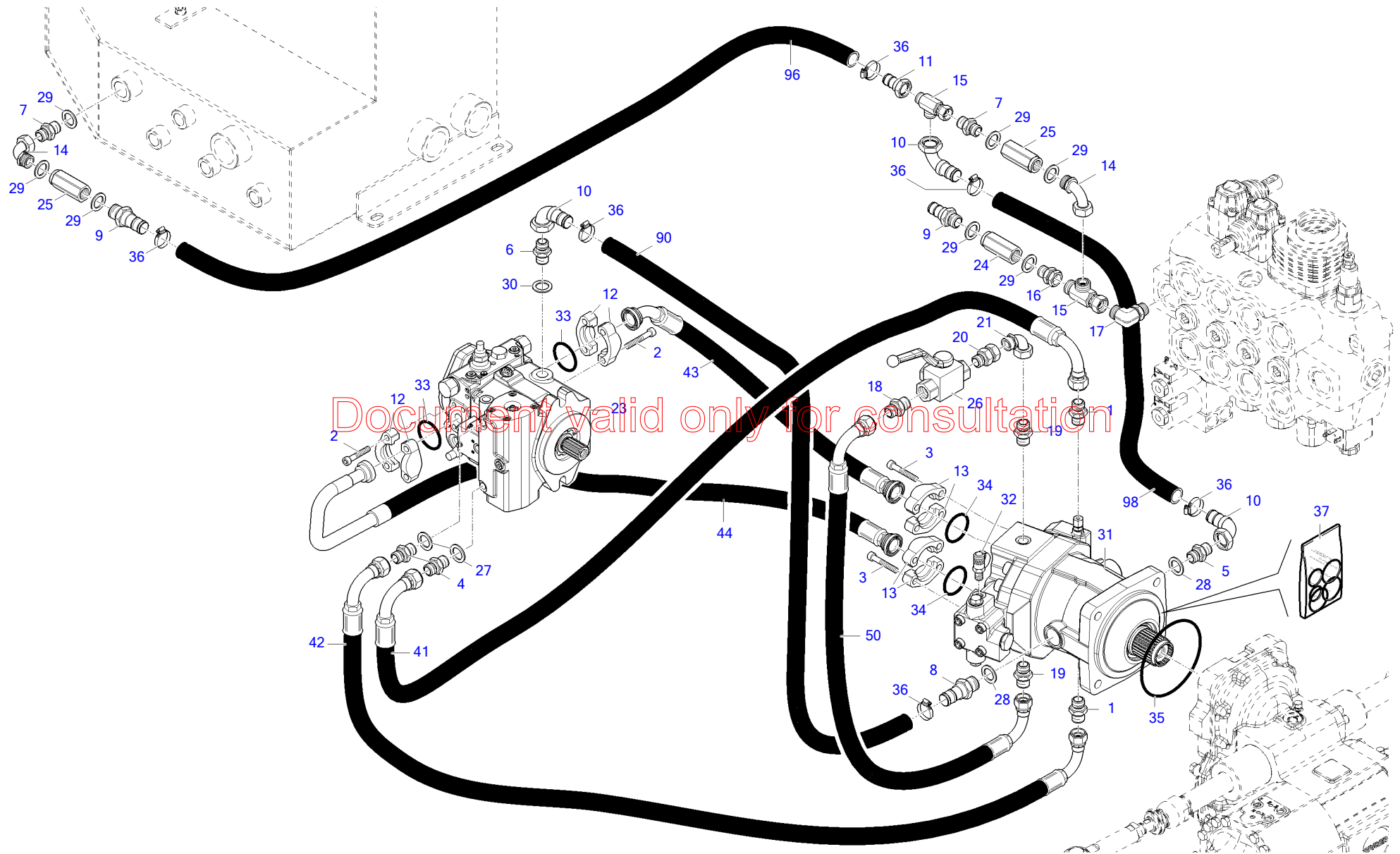
50316_00

POS.	CODE	Q.TY	UNIT	DESCRIPTION
1	9D.E212.110LG1/4	1		NIPPLE
2	9D.E212.116SG1/2	1		NIPPLE
3	BAB5253	1		SCREW
4	BAL3248	1		WASHER
5	BCF3219/0D2	1		OIL TANK
6	BHA0104	1		NIPPLE
7	BHA0106	1		NIPPLE
8	BHA0109	1		NIPPLE
9	BHA0128	1		NIPPLE
10	BHA0129	1		NIPPLE
11	BHA0132	1		NIPPLE
12	BHA0168	1		NIPPLE
13	BHA0169	1		NIPPLE
14	BKU4260	1		PIPE
15	BHA0171	1		HOSE HOLDER NIPPLE
16	BHA0176	1		NIPPLE
17	YRR5110	1		PIPE
18	BHA0295	1		HOSE SUPPORT CURVE
19	BHA0298	1		HOSE HOLDER CURVE
20	BHA0375	1		HOSE HOLDER NIPPLE
21	BHA0523	1		COLUMN
22	BHA0565	1		COLUMN
23	BHA0973	1		HALF-FLANGE
24	BHA1499	1		3-WAY FITTING
25	BHA1820	1		SWIVEL NIPPLE
26	BHA1906	1		90° FITTING
27	BHB3263	1		VALVE
28	BHC0114	1		INTAKE FILTER
29	BHC3012	1		OIL CARTRIDGE
30	BHC3057	1		CAP FOR FILTER
31	BHC5014	1		FILTER CLOGGING SENSOR
32	BHD0300	1		PUMP
33	BHD2247	1		PUMP
34	BHE1226	1		PEDALS
35	BHF2111	1		LOAD SENSING VALVE

Document valid only for consultation

POS.	CODE	Q.TY	UNIT	DESCRIPTION
36	BHF3136	1		POWER STEERING
37	BHG4720	1		WASHER
38	BKF4191	1		PIPE
39	BKF4200	1		PIPE
40	BKF4191	1		PIPE
41	BHG4721	1		WASHER
42	BHG4730	1		WASHER
43	BHG4731	1		WASHER
44	BHG4735	1		WASHER
45	BID1112/F	1		TAP
46	BVG2351	1		O-RING
47	BVG2388	1		O-RING
48	BVG2391	1		O-RING
49	BWF1112	1		CLAMP
50	OLB0000013	1		PIPE
51	BHE1431/LC	1		RING NUT
52	SATKS0000004	1		COIL KIT (INCLUDING OR)
53	BKW8580	1		PIPE
54	BKH3080	1		PIPE
55	BKH3081	1		PIPE
56	BKH3080	1		PIPE
57	BKC7060	1		PIPE
63	BLF9080	1		PIPE
81	BKC8135	1		PIPE
	BKC7060	1		PIPE
92	BKC8180	1		PIPE

Document valid only for consultation

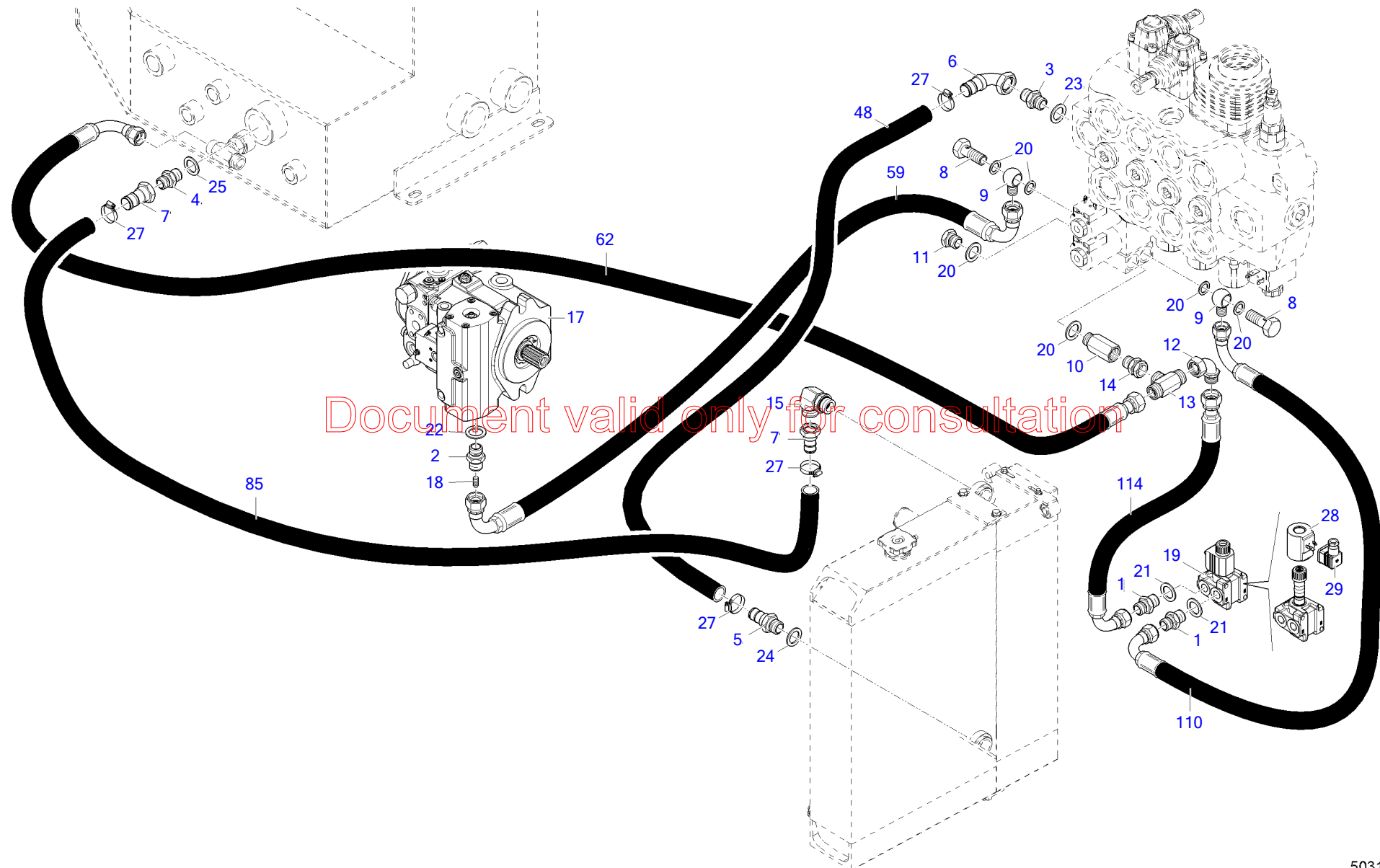


POS.	CODE	Q.TY	UNIT	DESCRIPTION
1	2R.409598	1		NIPPLE
2	BAB5254	1		SCREW
3	BAB5306	1		SCREW
4	BHA0106	1		NIPPLE
5	BHA0125	1		NIPPLE
6	BHA0131	1		NIPPLE
7	BHA0132	1		NIPPLE
8	BHA0232	1		HOSE HOLDER NIPPLE
9	BHA0240	1		HOSE HOLDER NIPPLE
10	BHA0291	1		HOSE SUPPORT CURVE
11	BHA0374	1		HOSE HOLDER NIPPLE
12	BHA0974	1		FLANGE
13	BHA0975	1		HALF-FLANGE
14	BHA1041	1		CURVE FITTING
15	BHA1518	1		3-WAY FITTING
16	BHA1805	1		SWIVEL NIPPLE
17	BHA1901	1		CURVE FITTING
18	BHA3212/112S.	1		FITTING
19	BHA3212/312S.	1		FITTING
20	BHA3717/112S	1		FITTING
21	BHA3737/12S.	1		ELBOW FITTING
23	BHD0300	1		PUMP
24	BHE1134	1		NON-RETURN VALVE
25	BHE1138	1		NON-RETURN VALVE
26	BHE1221	1		TAP
27	BHG4721	1		WASHER
28	BHG4728	1		WASHER
29	BHG4731	1		WASHER
30	BHG4732	1		WASHER
31	BHN1300	1		HYDROSTATIC MOTOR
32	BKA0052	1		MINIJACK
33	BVG2382	1		O-RING
34	BVG2388	1		O-RING
35	BVG2621	1		O-RING
36	BWF1112	1		CLAMP

Document valid only for consultation

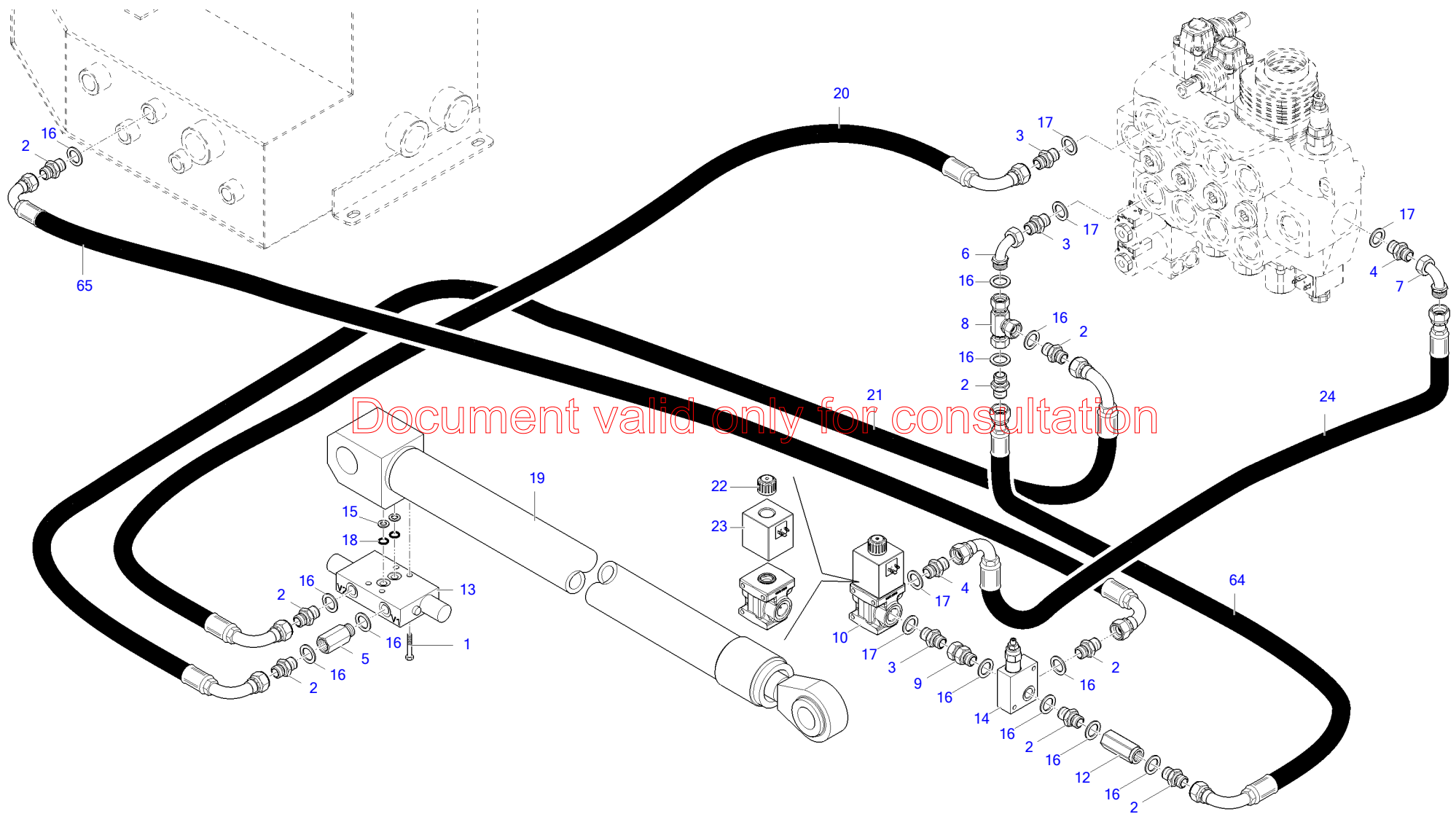
POS.	CODE	Q.TY	UNIT	DESCRIPTION
37	2R.R902002300	1		GASKETS KIT
41	BKG7221	1		PIPE
42	BKG7221	1		PIPE
43	BLN0135	1		PIPE
44	BLJ5155	1		PIPE
50	BKT5070	1		PIPE
90	BKC6665	1		HOSE
96	BKC6635	1		PIPE
98	BKC6650	1		PIPE

Document valid only for consultation



POS.	CODE	Q.TY	UNIT	DESCRIPTION
1	BHA0102	1		NIPPLE
2	BHA0103/F	1		NIPPLE
3	BHA0134	1		NIPPLE
4	BHA0141	1		NIPPLE
5	BHA0244	1		HOSE HOLDER NIPPLE
6	BHA0295	1		HOSE SUPPORT CURVE
7	BHA0375	1		HOSE HOLDER NIPPLE
8	BHA0408	1		PERFORATED SCREW
9	BHA0460	1		EYELET FITTING
10	BHA0533	1		COLUMN
11	BHA0630	1		PLUG
12	BHA1036	1		CURVE FITTING
13	BHA1503	1		FITTING
14	BHA1806	1		SWIVEL NIPPLE
15	BHA1904	1		CURVE
17	BHD0300	1		PUMP
18	BHE1350	1		THROTTLE
19	BHE1437	1		PARKING BRAKE SOLENOID VALVE NEG.
20	BHG4723	1		WASHER
21	BHG4724	1		WASHER
22	BHG4728/1	1		WASHER
23	BHG4731	1		WASHER
24	BHG4733	1		WASHER
25	BHG4735	1		WASHER
27	BWF1112	1		CLAMP
28	BHE1409/LC	1		COIL
29	BHE1407/LC	1		CONNECTOR
48	BKC7145	1		PIPE
59	BKF5110	1		PIPE
62	BKF4180	1		PIPE
85	BKC7260	1		PIPE
110	BKF5115	1		PIPE
114	BKF4100	1		PIPE

Document valid only for consultation



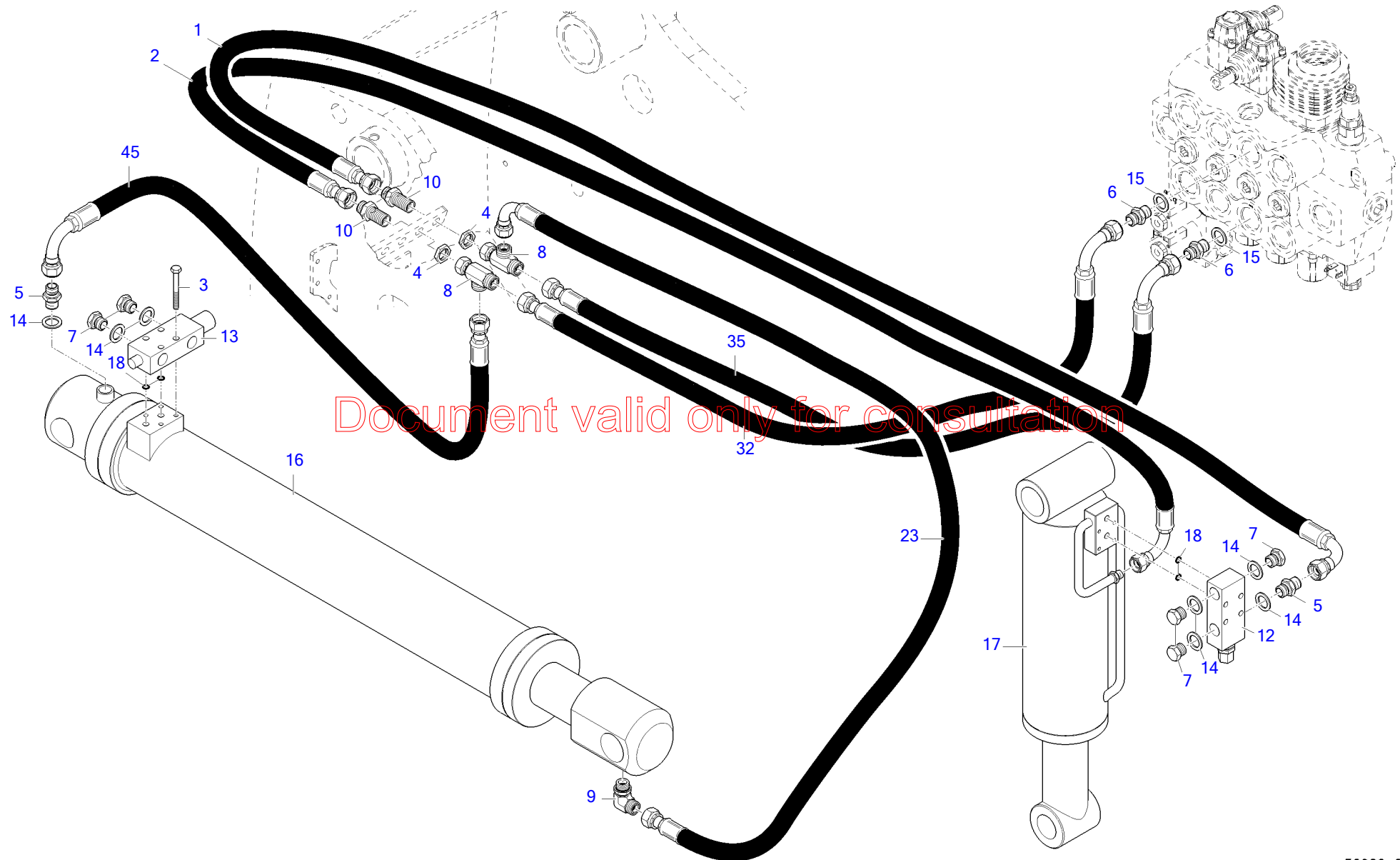


HYDRAULIC SYSTEM FOR BOOM

Reference: 50-00070_00

POS.	CODE	Q.TY	UNIT	DESCRIPTION
1	BAA7258	1		SCREW
2	BHA0128	1		NIPPLE
3	BHA0129	1		NIPPLE
4	BHA0132	1		NIPPLE
5	BHA0523	1		COLUMN
6	BHA1040	1		CURVE FITTING
7	BHA1041	1		CURVE FITTING
8	BHA1508	1		3-WAY FITTING
9	BHA1810	1		SWIVEL NIPPLE
10	BHB3263	1		VALVE
12	BHE1133	1		NON-RETURN VALVE
13	BHE1480	1		VALVE
14	BHE1306	1		VALVE
15	BHE1415	1		RING
16	BHG4730	1		WASHER
17	BHG4731	1		WASHER
18	BVG2340	1		O-RING
19	OLC0000033	1		CYLINDER
20	BLB8740	1		PIPE
21	BLB8740	1		PIPE
22	BHE1431/LC	1		RING NUT
23	SATKS0000004	1		COIL KIT (INCLUDING OR)
24	BLF9080	1		PIPE
64	BKU4690	1		PIPE
65	YME5250	1		PIPE

Document valid only for consultation



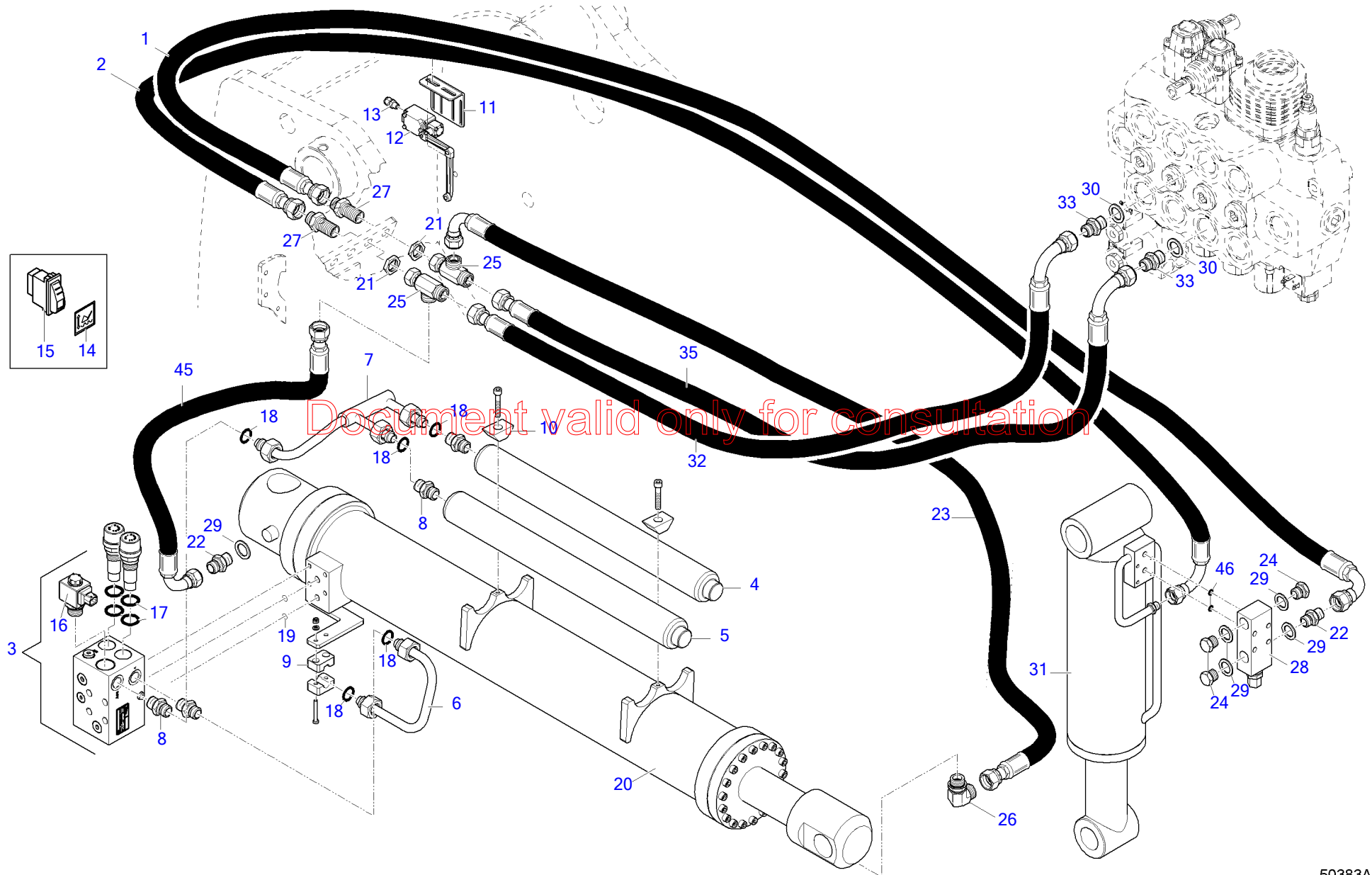


HYDRAULIC SYSTEM FOR BOOM

Reference: 50-00090_01

POS.	CODE	Q.TY	UNIT	DESCRIPTION
1	BKR7994	1		PIPE
2	BKR7994	1		PIPE
3	BAA7258	1		SCREW
4	BAG2348	1		NUT
5	BHA0128	1		NIPPLE
6	BHA0129	1		NIPPLE
7	BHA0635	1		PLUG
8	BHA1506	1		3-WAY FITTING
9	BHA1903	1		CURVE FITTING
10	BHA2507	1		BULKHEAD
12	BHE1247	1		VALVE
13	BHE1265	1		VALVE
14	BHG4730	1		WASHER
15	BHG4731	1		WASHER
16	BHM2617/F0D2	1		LIFTING CYLINDER
17	BHM2722	1		CYLINDER
18	BVG2339	1		O-RING
23	BKS5800	1		PIPE
32	BKR7710	1		PIPE
35	BKR7710	1		PIPE
45	BKR7650	1		PIPE

Document valid only for consultation



POS.	CODE	Q.TY	UNIT	DESCRIPTION
1	BKR7994	1		PIPE
2	BKR7994	1		PIPE
3	BHE1277	1		VALVE
4	BFG3107	1		ACCUMULATOR
5	BFG3108	1		ACCUMULATOR
6	OLB0000012	1		PIPE
7	BLT2047/1	1		PIPE
8	9D.E212.116SG1/2	1		NIPPLE
9	BWF1337	1		FIXING COLLAR
10	PPF1005/1CL	1		FASTENER
11	CVC4387/CL	1		SUPPORT
12	BEP0440	1		MICROSWITCH
13	2E.TFPR1311	1		CABLE GLAND
14	4C.77679	1		INDICATOR GLASS
15	4C.106AA035	1		SWITCH
16	BHE1448	1		COIL
17	BVG2345	1		O-RING
18	BVG2716	1		O-RING
19	BVG2336	1		O-RING
20	BHM2617/F0D2	1		LIFTING CYLINDER
21	BAG2348	1		NUT
22	BHA0128	1		NIPPLE
23	BKS5800	1		PIPE
24	BHA0635	1		PLUG
25	BHA1506	1		3-WAY FITTING
26	BHA1903	1		CURVE FITTING
27	BHA2507	1		BULKHEAD
28	BHE1247	1		VALVE
29	BHG4730	1		WASHER
30	BHG4731	1		WASHER
31	BHM2722	1		CYLINDER
32	BKR7710	1		PIPE
33	BHA0129	1		NIPPLE
35	BKR7710	1		PIPE
45	BKR7650	1		PIPE

Document valid only for consultation

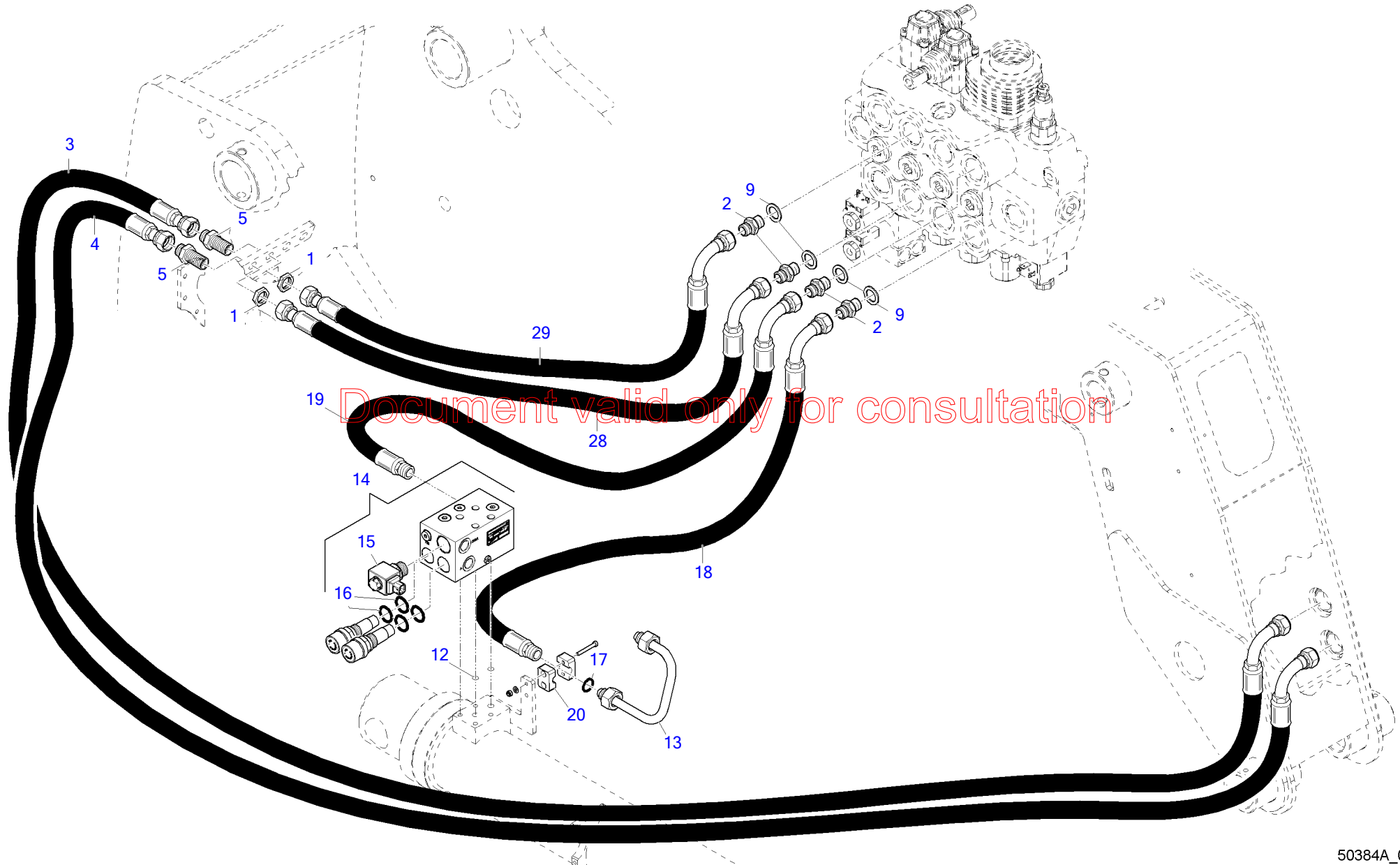


BOOM SUSPENSION HYDRAULIC SYSTEM

Reference: 50-00090_03

POS.	CODE	Q.TY	UNIT	DESCRIPTION
46	BVG2339	1		O-RING

Document valid only for consultation



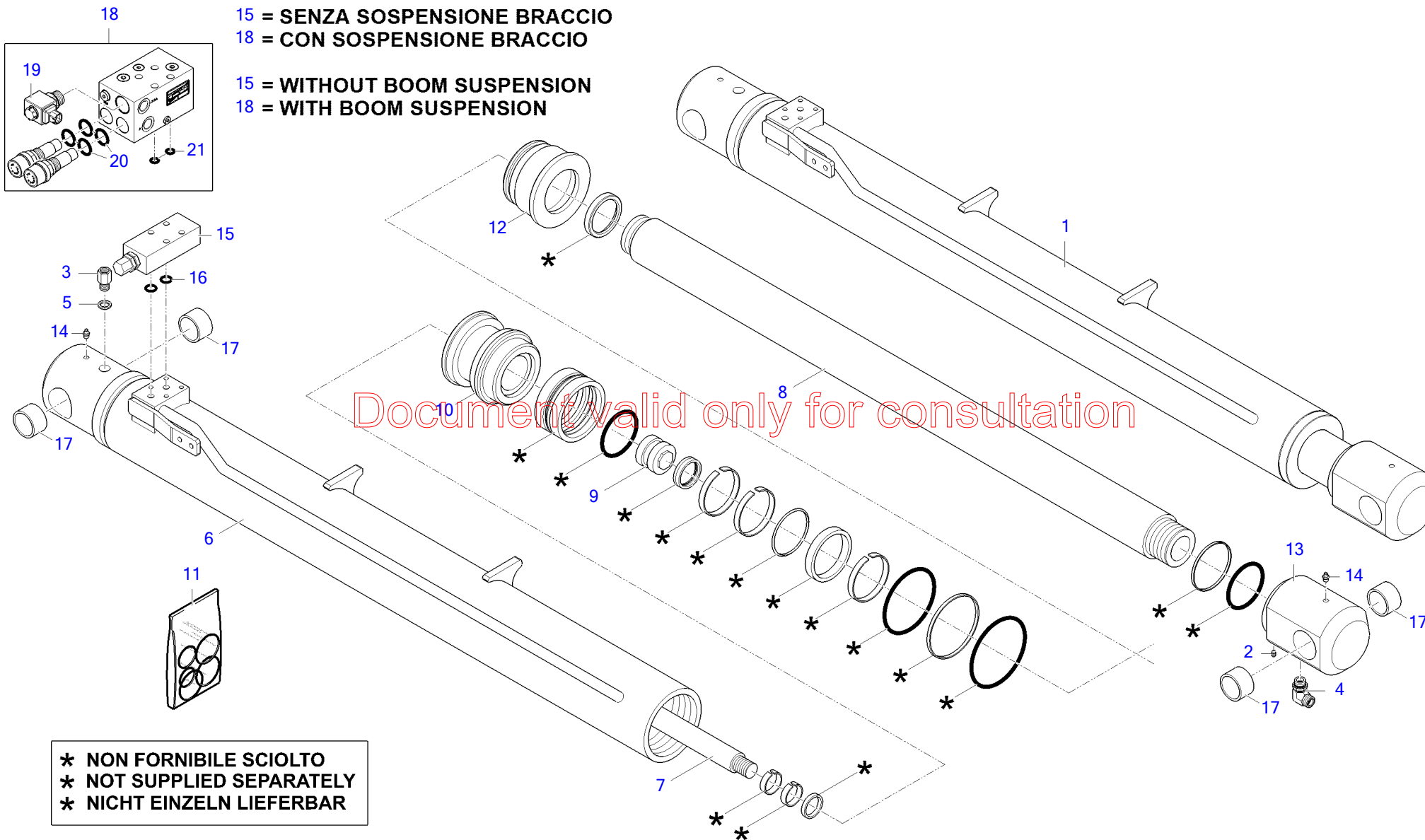


BOOM SUSPENSION HYDRAULIC SYSTEM

Reference: 50-00110_02

POS.	CODE	Q.TY	UNIT	DESCRIPTION
1	BAG2348	1		NUT
2	BHA0129	1		NIPPLE
3	BKR7994	1		PIPE
4	BKR7994	1		PIPE
5	BHA2507	1		BULKHEAD
9	BHG4731	1		WASHER
12	BVG2336	1		O-RING
13	OLB0000012	1		PIPE
14	BHE1277	1		VALVE
15	BHE1448	1		COIL
16	BVG2345	1		O-RING
17	BVG2716	1		O-RING
18	BLC6680R	1		PIPE
19	BLC6670R	1		PIPE
20	BWF1337	1		FIXING COLLAR
28	BKR7710	1		PIPE
29	BKR7710	1		PIPE

Document valid only for consultation





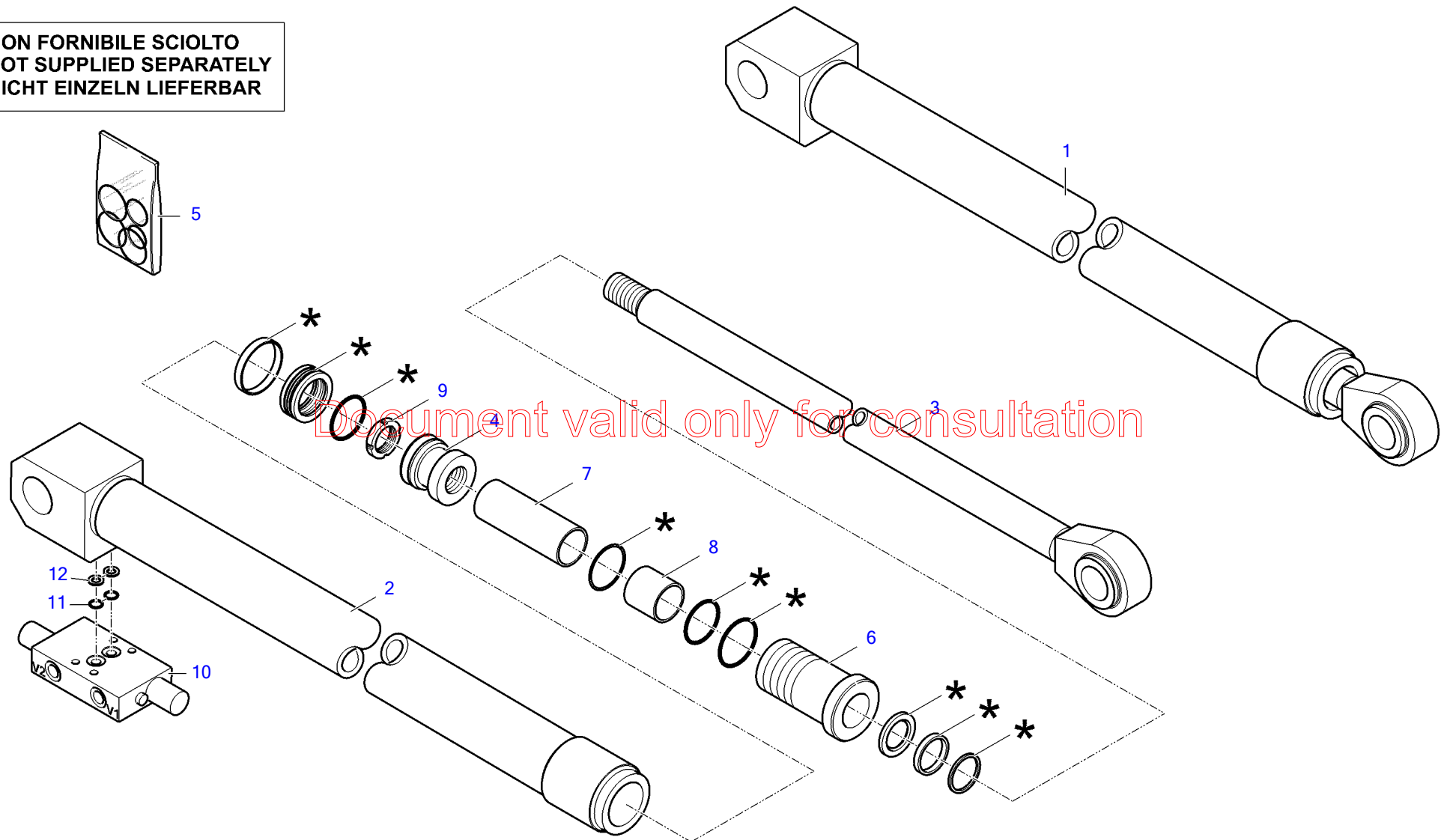
LIFTING CYLINDER

Reference: 50-00130_02

POS.	CODE	Q.TY	UNIT	DESCRIPTION
1	BHM2617NF-0D2	1		LIFTING CYLINDER
2	BAC1185	1		• DOWEL
3	BHA0523	1		• COLUMN
4	BHA1903	1		• CURVE FITTING
5	BHG4730	1		• WASHER
6	BHR0480N	1		• LINER
7	BHR1456N	1		• INTERNAL ROD
8	BHR1457N	1		• EXTERNAL ROD
9	BHR2357N	1		• INTERNAL PISTON
10	BHR2358N	1		• EXTERNAL PISTON
11	BHR3351N	1		• GASKETS KIT
12	BHR5366N	1		• HEAD
13	BHR5367N	1		• ROD
14	BW11119	2		• LUBRICATOR
15	BHE1485	1		VALVE
16	BVG2339	1		O-RING
17	BHR7126N	4		BUSHING
18	BHE1277	1		VALVE
19	BHE1448	1		• COIL
20	BVG2345	4		• O-RING
21	BVG2336	2		• O-RING

Document valid only for consultation

- * NON FORNIBILE SCIOLTO
- * NOT SUPPLIED SEPARATELY
- * NICHT EINZELN LIEFERBAR



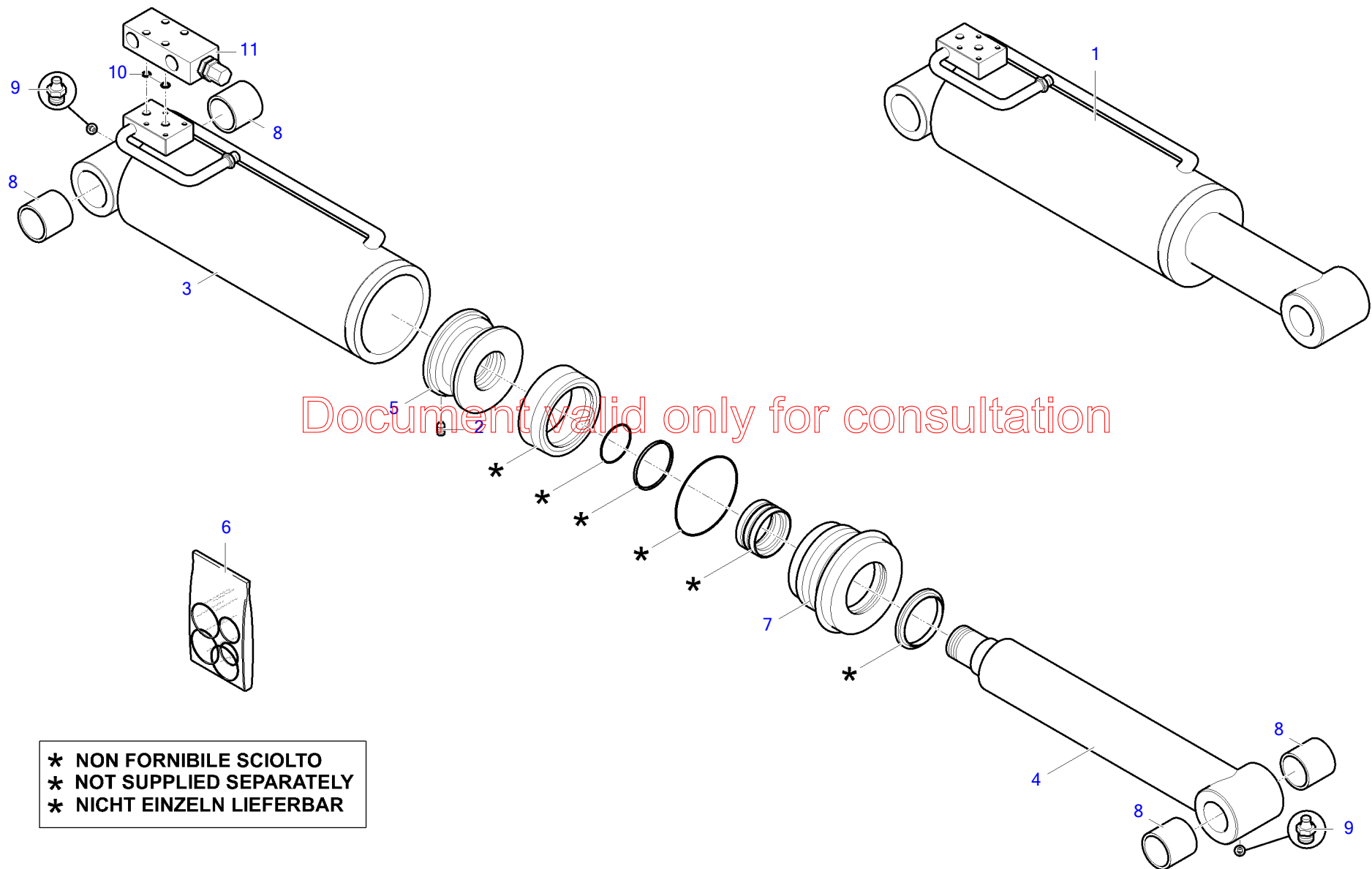


EXTENSION CYLINDER

Reference: 50-00140_01

POS.	CODE	Q.TY	UNIT	DESCRIPTION
1	OLC0000033N-0G	1		EXTENSION CYLINDER
2	BHR0478N	1		• LINER
3	BHR1454N	1		• ROD
4	BHR2355N	1		• PISTON
5	BHR3349N	1		• GASKETS KIT
6	BHR5364N	1		• HEAD
7	BHR7545N	1		• SPACER
8	BHR7546N	1		• HEAD SPACER
9	BHR7547N	1		• RING NUT
10	BHE1480	1		VALVE
11	BVG2340	2		O-RING
12	BHE1415	2		RING

Document valid only for consultation





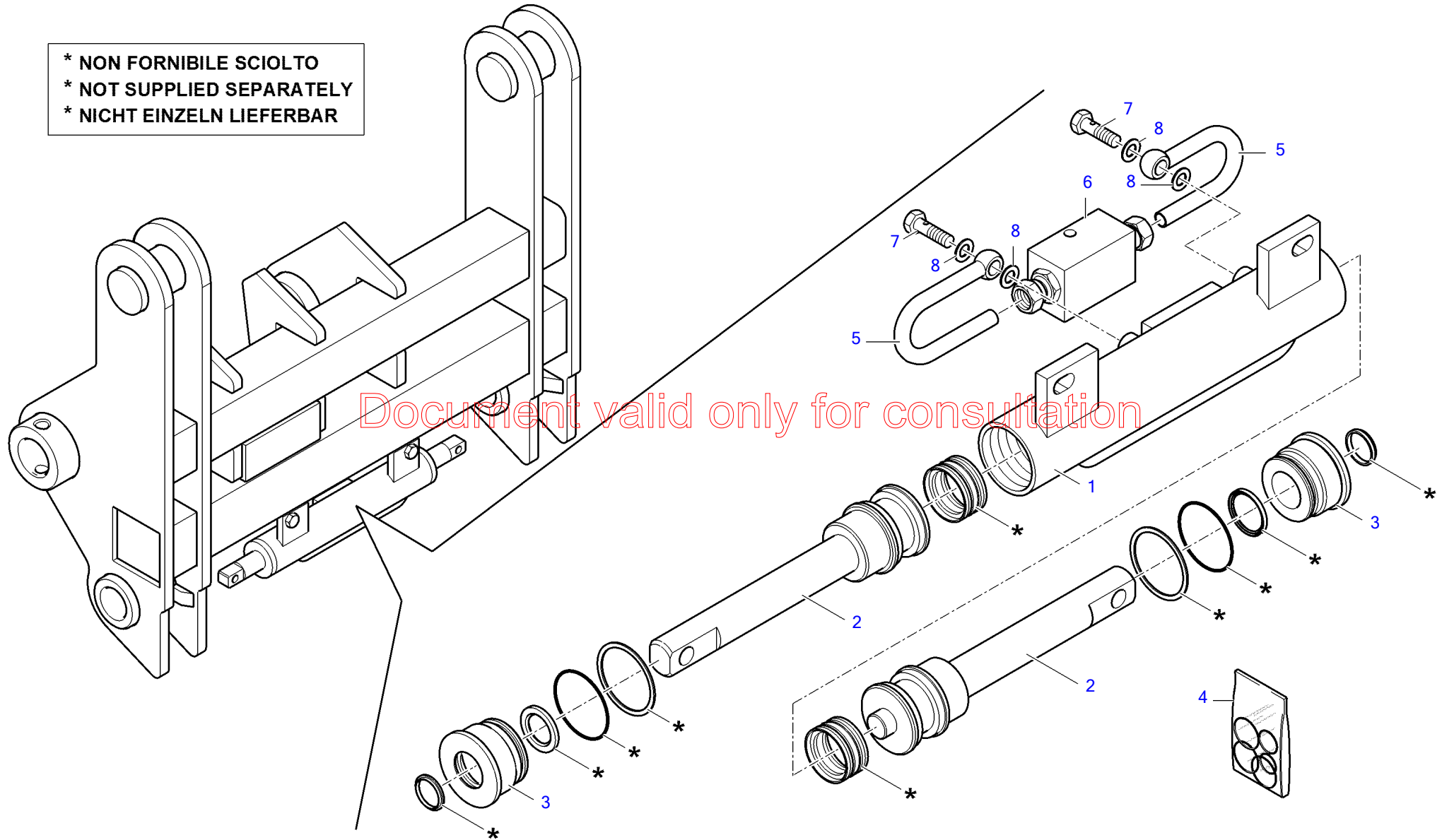
TILTING CYLINDER

Reference: 50-00150_01

POS.	CODE	Q.TY	UNIT	DESCRIPTION
1	BHM2722N	1		TILTING CYLINDER
2	BAC1105	1		• DOWEL
3	BHR0479N	1		• LINER
4	BHR1455N	1		• ROD
5	BHR2356N	1		• PISTON
6	BHR3350N	1		• GASKETS KIT
7	BHR5365N	1		• HEAD
8	BHR7066	4		• BUSHING
9	BWI1119	2		• LUBRICATOR
10	BVG2339	2		O-RING
11	BHE1247	1		VALVE

Document valid only for consultation

* NON FORNIBILE SCIOLTO
* NOT SUPPLIED SEPARATELY
* NICHT EINZELN LIEFERBAR



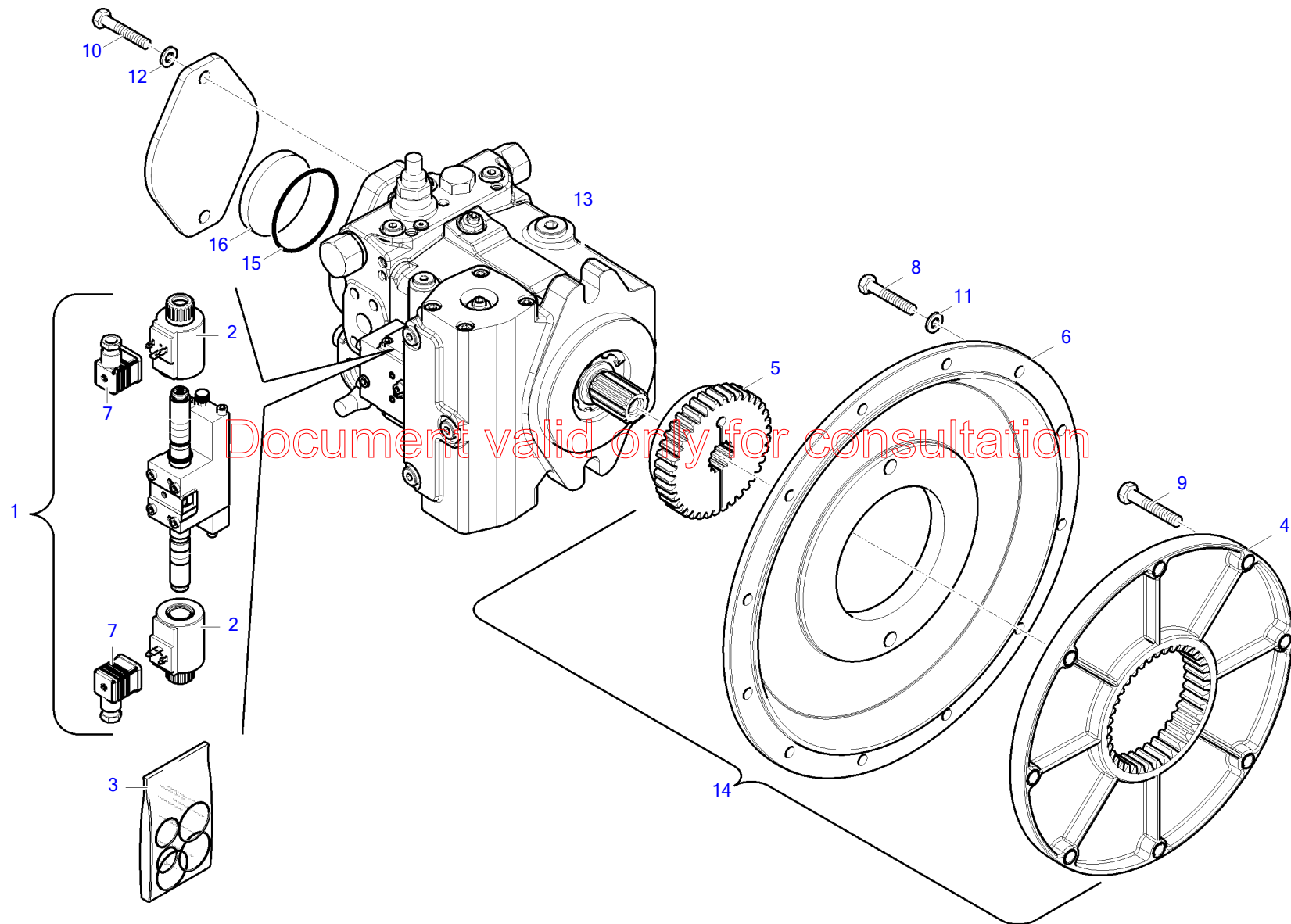


EQUIPMENT LOCKING CYLINDER

Reference: 50-00155_00

POS.	CODE	Q.TY	UNIT	DESCRIPTION
	BHM0036/0G	1		COMPLETE CYLINDER
1	BHR0160/T	1		LINER
2	BHR1103/T	1		ROD
3	BHR5105/T	1		HEAD
4	BHR3213/T	1		GASKETS KIT
5	BHR6206	1		CURVED PIPE
6	BHR4133	1		VALVE
7	BHA0408	1		PERFORATED SCREW
8	BHG4723	1		WASHER

Document valid only for consultation



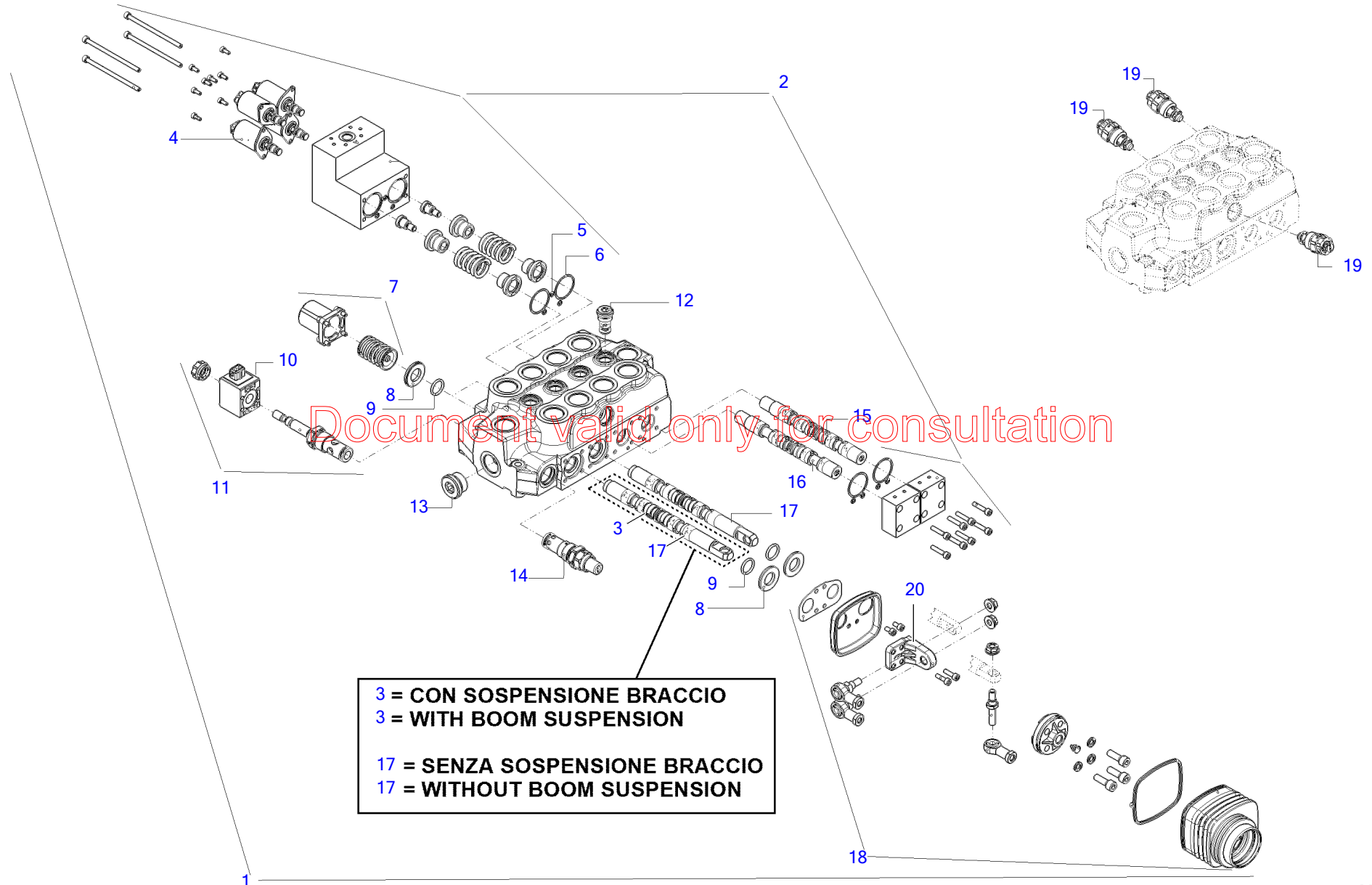


HYDRAULIC PUMP

Reference: 50-00160_00

POS.	CODE	Q.TY	UNIT	DESCRIPTION
1	2R.02044986	1		SOLENOID VALVE
2	2R.601153	1		SOLENOID
3	2R.601984	1		GASKETS KIT
4	3T.249381011	1		FLANGE
5	3T.250381438	1		HUB
6	3T.264554413	1		HALF-FLANGE
7	4H.551010001	1		CONNECTOR
8	BAA7254	1		SCREW
9	BAA7255	1		SCREW
10	BAA7305	1		SCREW
11	BAL3248	1		WASHER
12	BAL3250	1		WASHER
13	BHD0300	1		PUMP
14	BMP0031	1		PRE-ARRANGEMENT
15	BVG2611	1		O-RING
16	POE7001	1		PLUG

Document valid only for consultation



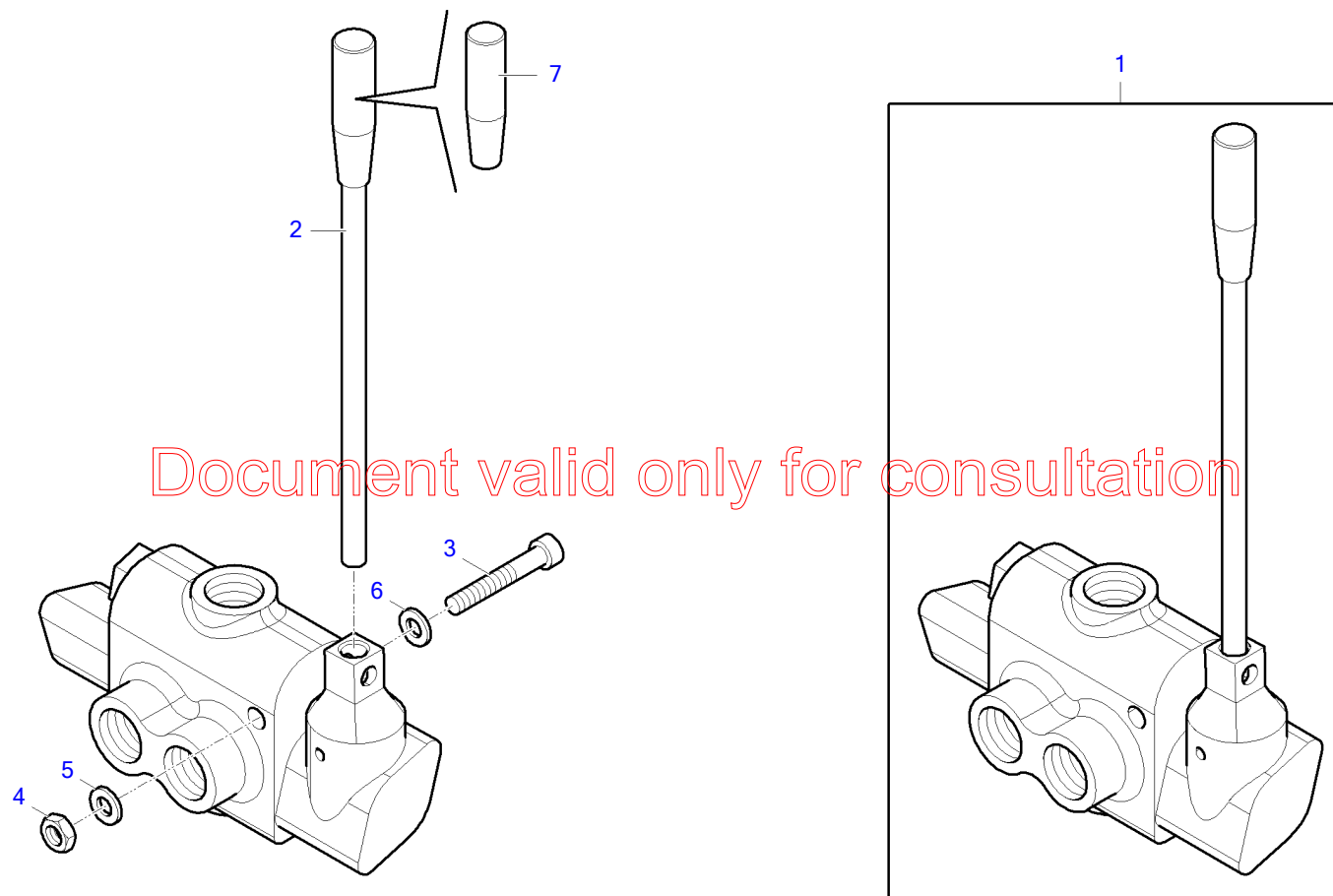


4 IN 1 DISTRIBUTOR WITH PROPORTIONAL EXTENSION (BHB3277)

Reference: 50-00190_00

POS.	CODE	Q.TY	UNIT	DESCRIPTION
1	BHB3277	1		COMPLETE DISTRIBUTOR
2	3V.5IDR608317	1		ELECTRIC CONTROL
3	3V.3CU1322401	1		SLIDER
4	3V.X269768121	1		SOLENOID VALVE
5	3V.4GU1037180	1		O-RING
6	3V.4GUA131518	1		O-RING
7	3V.5V08108240	1		CAP KIT
8	3V.3ANE134041	1		RING
9	3V.4GUA118025	1		O-RING
10	3V.4SL6001203	1		COIL
11	3V.5CAR408222	1		SOLENOID VALVE
12	3V.XKIT010200	1		VR 10 KIT
13	3V.3XTAP732200	1		PLUG
14	3V.X134213220	1		VALVE
15	3V.3CU1322441	1		SLIDER
16	3V.3CU1325440	1		SLIDER
17	3V.3CU1310425	1		SLIDER
18	3V.5CL0308100	1		LEVER KIT
19	3V.3XCAR208114	1		CARTRIDGE
20	3V.3FUL320020	1		FULCRUM

Document valid only for consultation



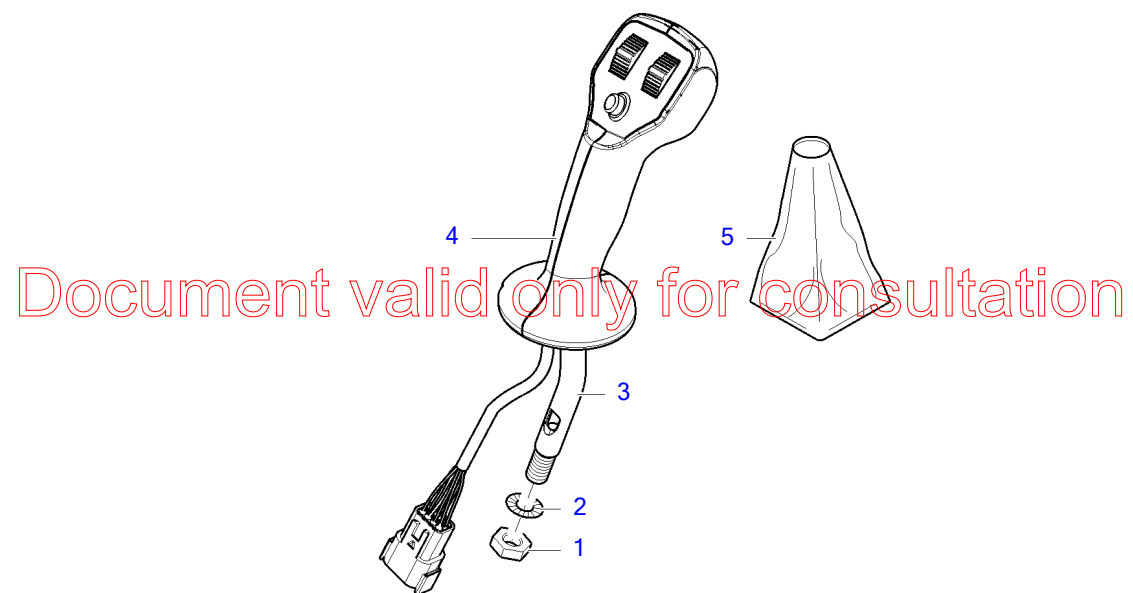


STEERING DISTRIBUTOR

Reference: 50-00210_00

POS.	CODE	Q.TY	UNIT	DESCRIPTION
1	BHB0125/D1	1		DISTRIBUTOR
2	3D.535118002	1		COMPLETE LEVER
3	BAB5212	1		SCREW
4	BAG4117	1		NUT
5	BAL5112	1		WASHER
6	BAL5113	1		WASHER
7	BWD0098	1		KNOB

Document valid only for consultation





JOYSTICK FOR DISTRIBUTORS

Reference: 52-00070_00

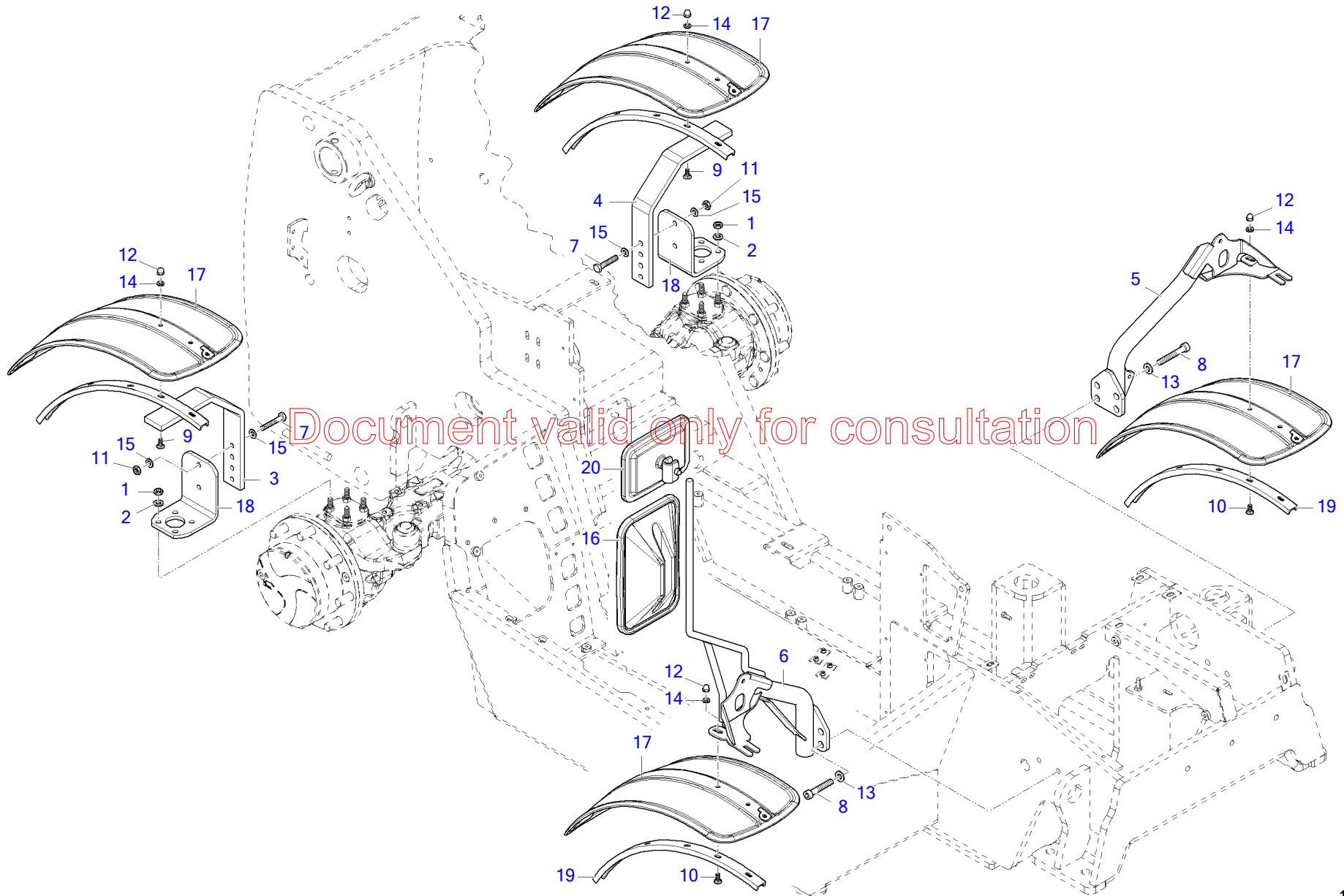
POS.	CODE	Q.TY	UNIT	DESCRIPTION
1	BAG3134	1		NUT
2	BAL3311	1		WASHER
3	ASM0000508	1		JOYSTICK ROD
4	BHB3233	1		JOYSTICK FOR FNR
5	BWD1120	1		COWLING

Document valid only for consultation



DESCRIPTION	REFERENCE	PAGE
FENDERS AND SUPPORTS	A0-00010_00	49
DRIVE SHAFTS	A0-00020_00	50
AXLES	A0-00030_00	51
REAR AXLE	A0-00040_00	52
WHEELS	A0-00050_00	53
REAR DIFFERENTIAL HOUSING	A0-5H22182-010	54
REAR DIFFERENTIAL	A0-5H22182-020	55
EPICYCLOIDAL REDUCTION UNIT	A0-5H22182-030	56
STEERING WHEEL BAR AND CYLINDERS	A0-5H22182-040	57
OSCILLATING SUPPORTS	A0-5H22182-050	58
FRONT DIFFERENTIAL HOUSING	A0-5H60321168-010	59
DIFFERENTIAL	A0-5H60321168-020	60
FRONT STEERING AXLE	A0-5H60321168-030	61
DISC BRAKES	A0-5H60321168-040	62
STEERING WHEEL BAR AND CYLINDERS	A0-5H60321168-050	63

Document valid only for consultation



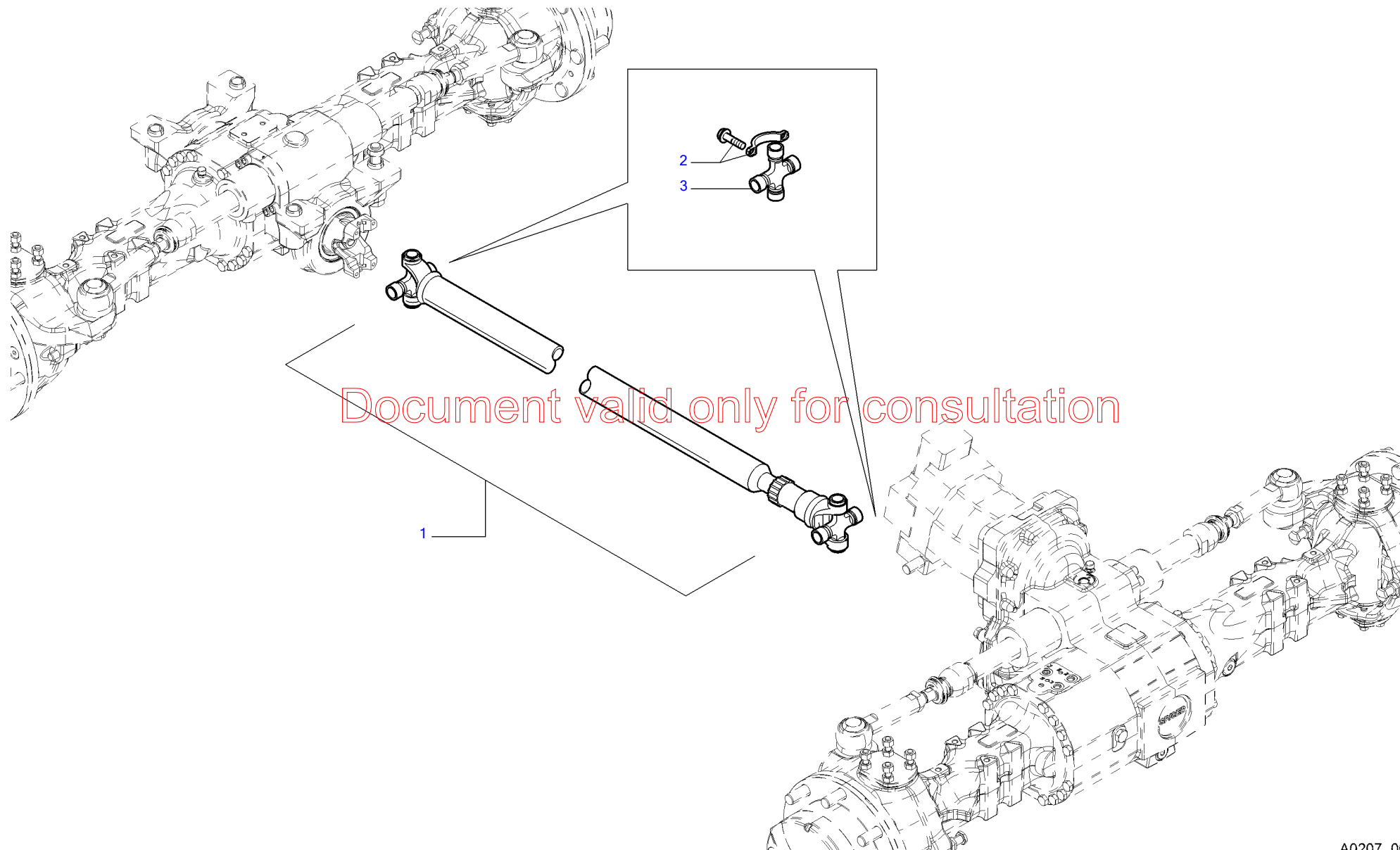


FENDERS AND SUPPORTS

Reference: a0-00010_00

POS.	CODE	Q.TY	UNIT	DESCRIPTION
1	5H.006023451	1		NUT
2	5H.011051247	1		WASHER
3	ASM0000463/0D2	1		RH FENDER SUPPORT
4	ASM0000464/0D2	1		LH FENDER SUPPORT
5	ASM0000465/0D2	1		LH FRONT HEADLIGHT HOLDER
6	ASM0000510/0D2	1		RH FRONT HEADLIGHT HOLDER
7	BAA7307	1		SCREW
8	BAB5407	1		SCREW
9	BAE4231	1		SCREW
10	BAE4232	1		SCREW
11	BAG4119	1		NUT
12	BAG8111	1		NUT
13	BAL2255	1		WASHER
14	BAL5112	1		WASHER
15	BAL5116	1		WASHER
16	BEQ0123	1		REAR VIEW MIRROR
17	BSH0021	1		YELLOW FENDER
18	CVC5875/0D2	1		FASTENING BRACKET
19	PUA3068/0D2	1		SUPPORT
20	BEQ0102	1		REAR VIEW MIRROR

Document valid only for consultation



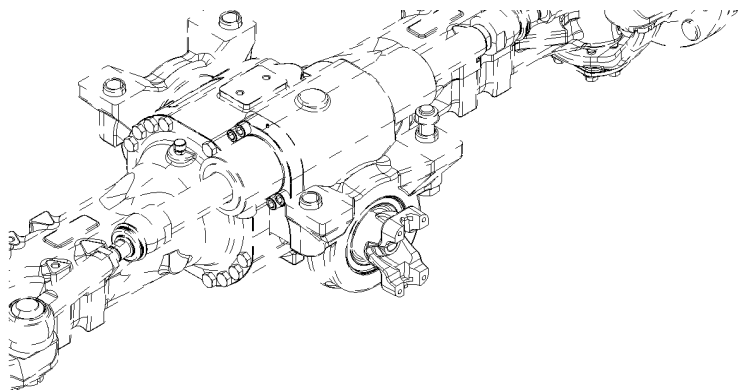


DRIVE SHAFTS

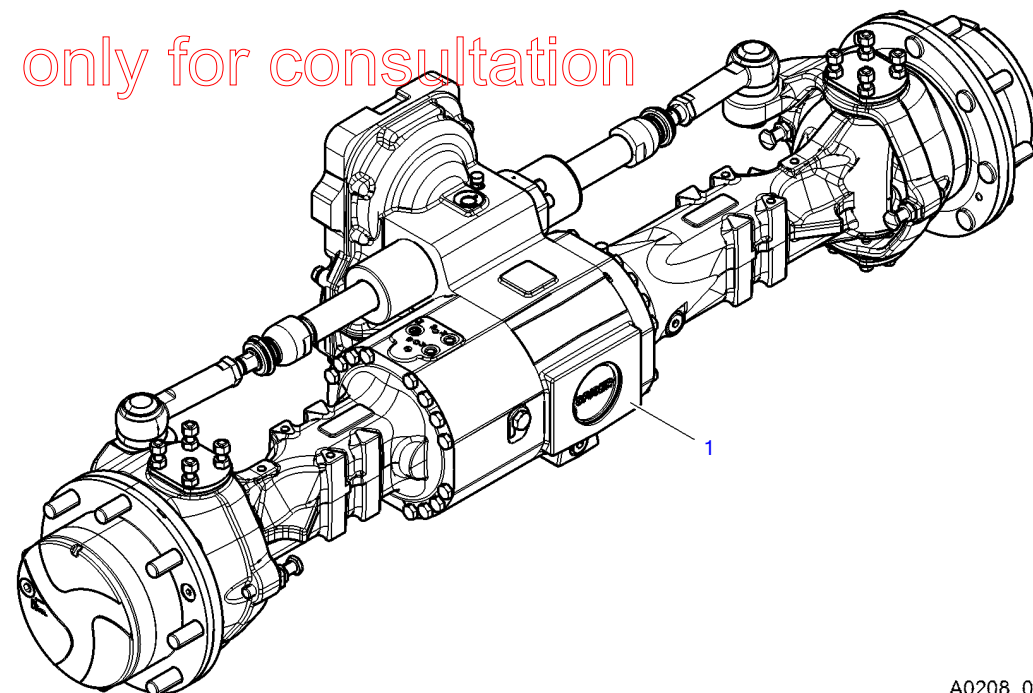
Reference: a0-00020_00

POS.	CODE	Q.TY	UNIT	DESCRIPTION
1	BVD1393	1		DRIVE SHAFT
2	BVD1502	1		SPIDER FASTENER KIT
3	BVD2003	1		SPIDER

Document valid only for consultation



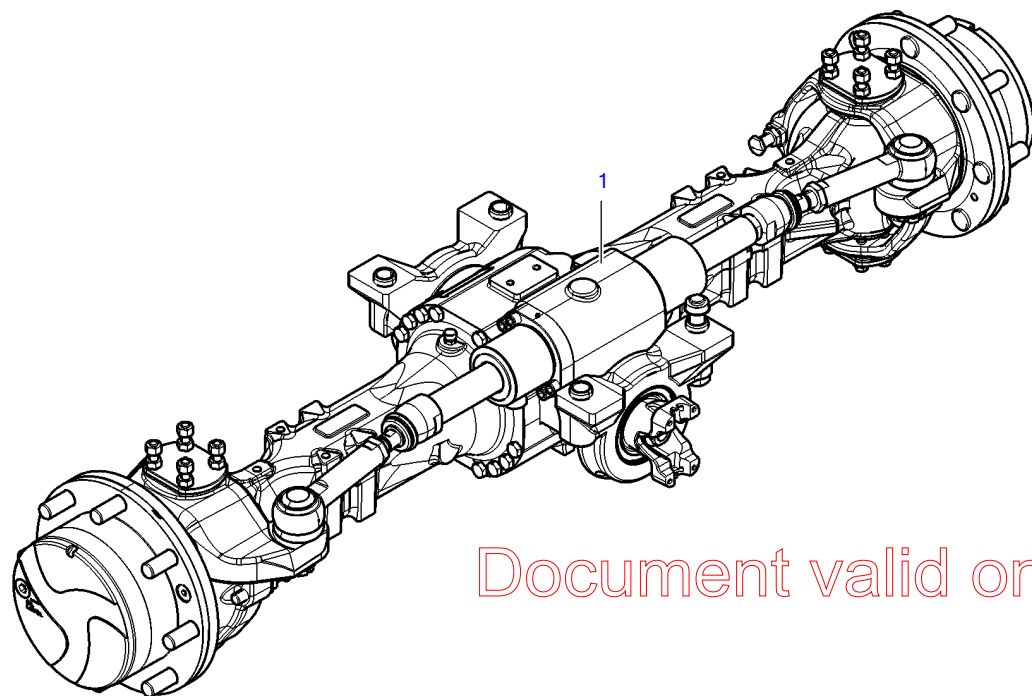
Document valid only for consultation



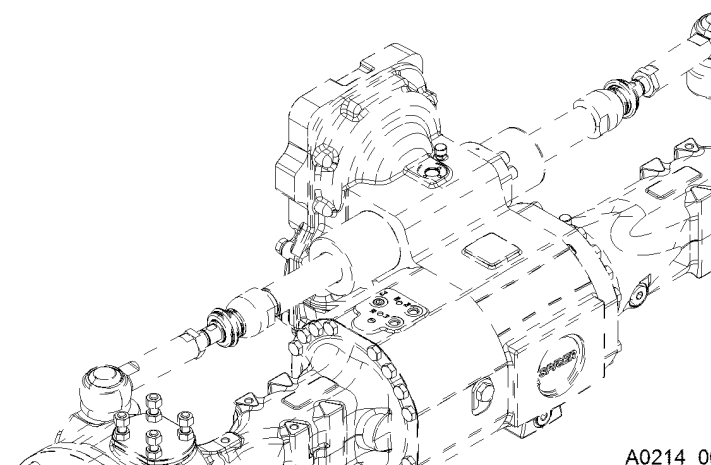


POS.	CODE	Q.TY	UNIT	DESCRIPTION
1	5H.60321168	1		COMPLETE FRONT AXLE

Document valid only for consultation



Document valid only for consultation



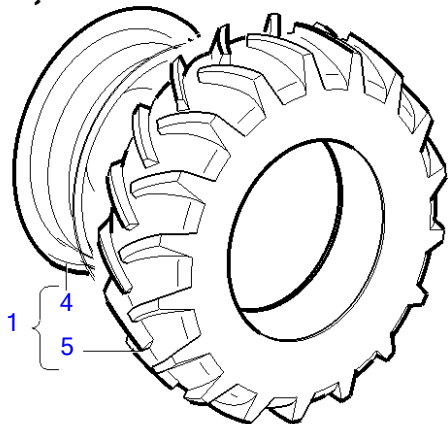
A0214_00



POS.	CODE	Q.TY	UNIT	DESCRIPTION
1	5H.22182	1		COMPLETE REAR AXLE

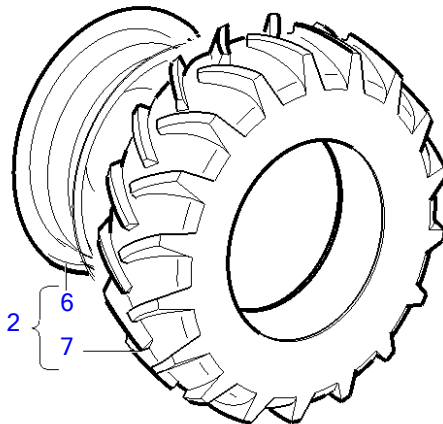
Document valid only for consultation

16,5"



BVR5111/0C

18"

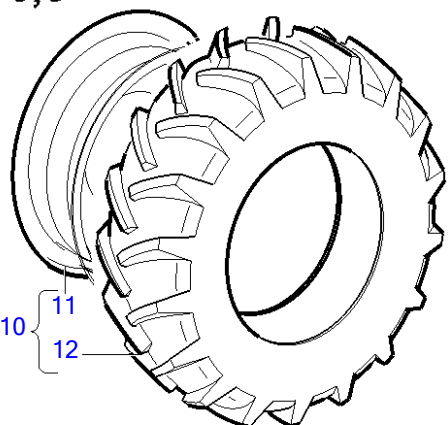


BVR3201/0C

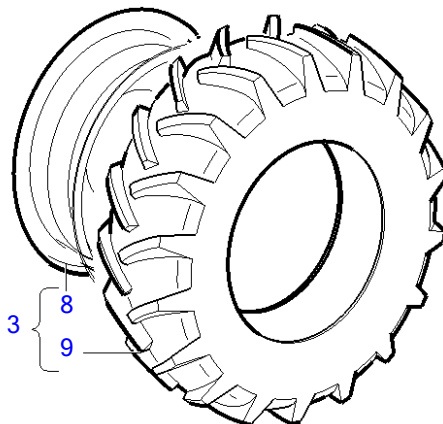
**Macchine Edili - Industriali
Construction - Industrial Machinery
Machines pour le Bâtiment - Industrielles
Máquinas Industriales y para la Construcción
Maschinen für Bauwesen und Industrie**

Document valid only for consultation

16,5"



BVR3203/0C



BVR3202/0C

**Macchine Agricole
Agri Machines
Machines Agricoles
Máquinas Agrícolas
Landmaschinen**

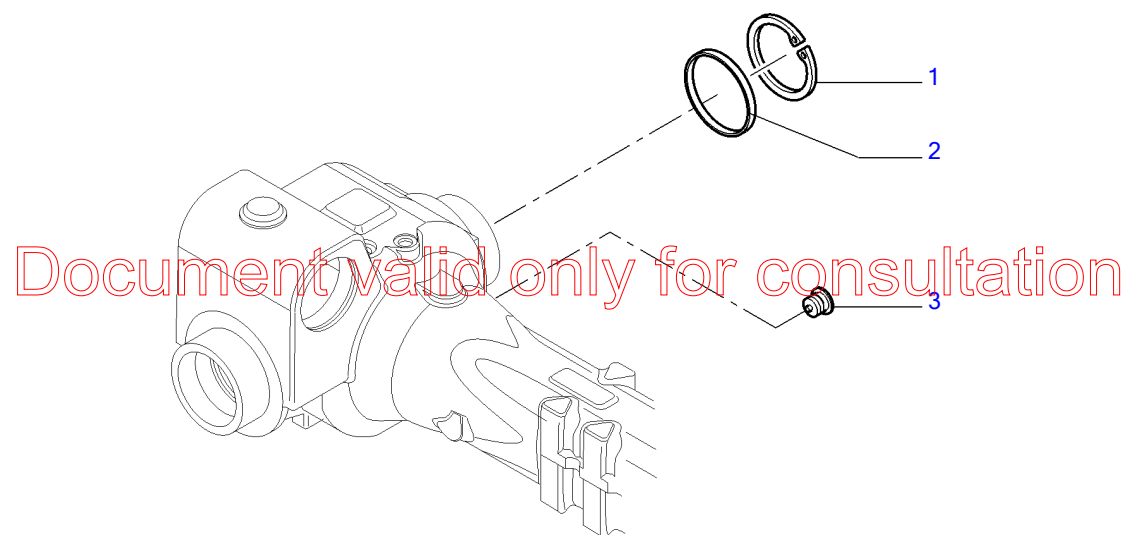


WHEELS

Reference: a0-00050_00

POS.	CODE	Q.TY	UNIT	DESCRIPTION
1	BVR5111/0C	1		WHEEL
2	BVR3201/0C	1		WHEEL
3	BVR3202/0C	1		COMPLETE WHEEL
4	BVR8157/0C	1		DISC
5	BVR6128	1		COVER
6	BVR8201/0C	1		DISC
7	BVR6125	1		COVER
8	BVR8201/0C	1		DISC
9	BVR6127	1		COVER
10	BVR3208-0C	1		COMPLETE WHEEL
11	BVR8185/0C	1		DISC
12	BVR6128	1		COVER

Document valid only for consultation



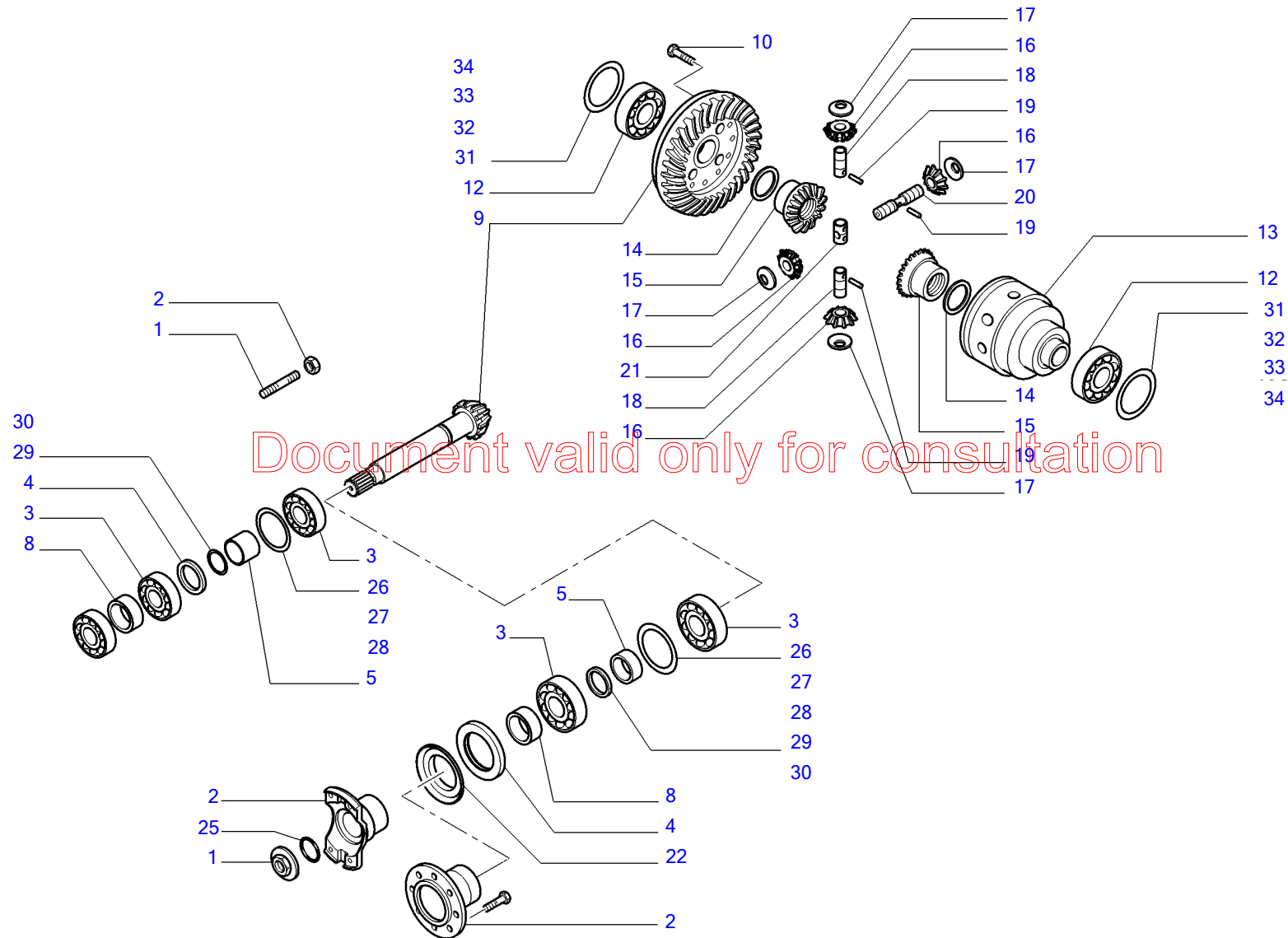


REAR DIFFERENTIAL HOUSING

Reference: a0-5h22182-010

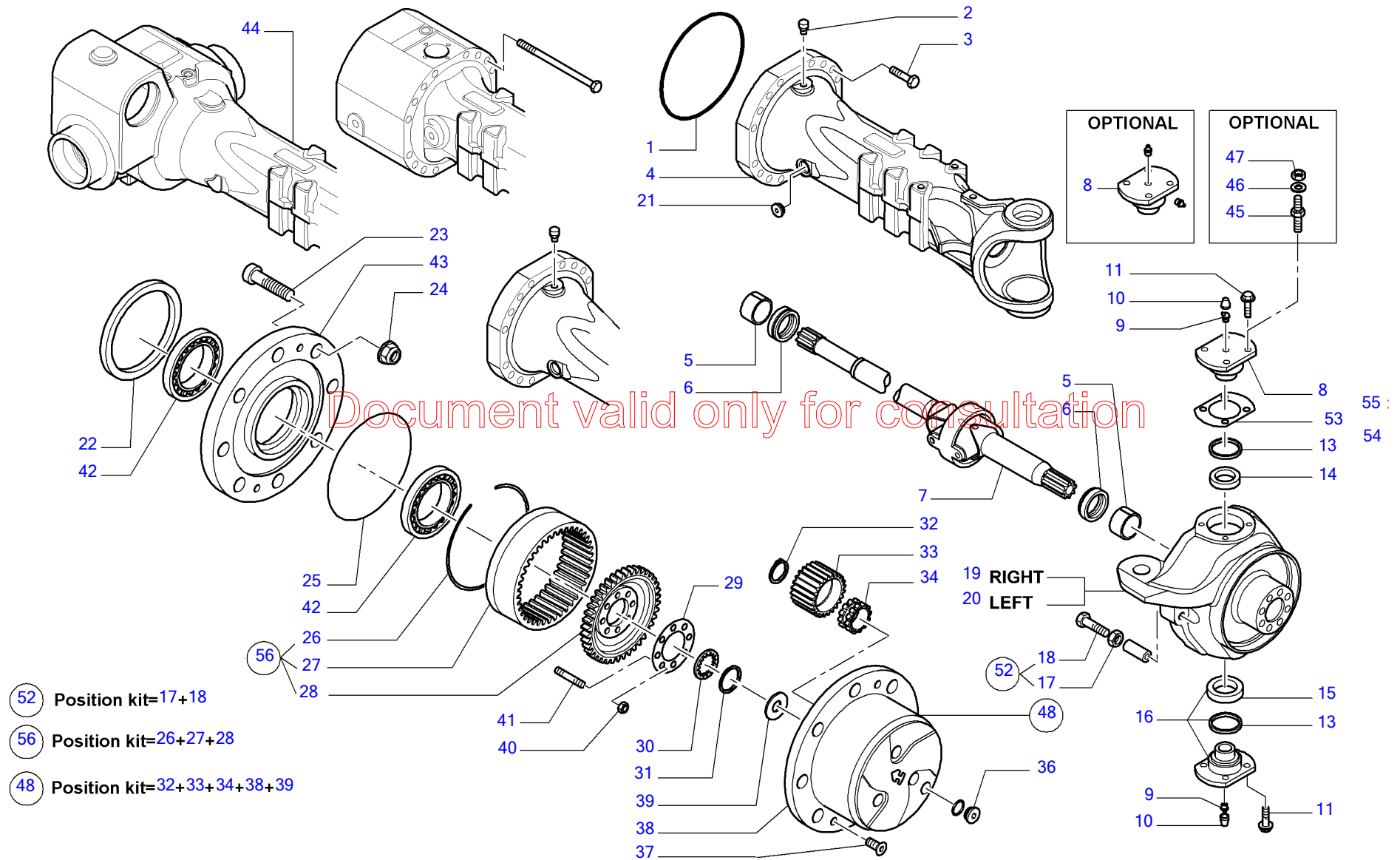
POS.	CODE	Q.TY	UNIT	DESCRIPTION
1	5H.002020088	1		SAFETY RING
2	5H.1710101504	1		PLUG
3	5H.3551461102	1		MAGNETIC PLUG

Document valid only for consultation



POS.	CODE	Q.TY	UNIT	DESCRIPTION
1	5H.7460400801	1		NUT
2	5H.1710404401	1		FLANGE
3	5H.005092938	1		BEARING
4	5H.001034328	1		SEALING RING
5	5H.3151400801	1		SPACER
8	5H.1710401801	1		SPACER
9	5H.1110450008	1		BEVEL GEAR PAIR
10	5H.016283658	1		SCREW
12	5H.005090496	1		CONICAL ROLLER BEARING
13	5H.1110405701	1		DIFFERENTIAL HOUSING
14	5H.1710401101	1		SHIM WASHER
15	5H-1110405802	1		CROWN WHEEL
16	5H.1110407001	1		SATELLITE
17	5H.1710401201	1		SHIM WASHER
18	5H.1110403402	1		PIN
19	5H.014033539	1		PIN
20	5H.1110403302	1		PIN
21	5H.1110403202	1		CROSS JOURNAL
22	5H.2210100201	1		PROTECTIVE METAL SHEET
25	5H.001050041	1		O-RING
26	5H.013011549	1		SHIM (0,10 mm)
27	5H.013011550	1		SHIM (0,15 mm)
28	5H.013011551	1		SHIM (0,20 mm)
29	5H.3151400910	1		RING
30	5H.3151401004	1		RING
31	5H.013011475	1		SHIM (0,10 mm)
32	5H.013013288	1		SHIM (0,15 mm)
33	5H.013013289	1		SHIM (0,20 mm)
34	5H.013013290	1		SHIM (0,30 mm)

Document valid only for consultation





EPICYCLOIDAL REDUCTION UNIT

Reference: a0-5h22182-030

POS.	CODE	Q.TY	UNIT	DESCRIPTION
1	5H.001051037	1		O-RING
2	5H.1120101802	1		VENT PLUG
3	5H.016314361	1		SCREW
4	5H.2110602802	1		BOOM
5	5H.2110601701	1		BUSHING
6	5H.2110602001	1		SEALING RING
7	5H.2110661103	1		UNIVERSAL JOINT
8	5H.2110601202	1		ARTICULATION PIN
9	BW11128	1		LUBRICATOR
10	5H.7340701501	1		PLUG
11	5H.016283390	1		SCREW
13	5H.2110601901	1		SEALING RING
14	5H.2120600603	1		BUSH
15	5H.2780602801	1		ARTICULATION
16	5H.2110670101	1		ARTICULATION PIN
17	5H.006051521	1		NUT
18	5H.2130601101	1		SCREW
19	5H.2110671503	1		ARTICULATED BOX
20	5H.2110671403	1		ARTICULATED BOX
21	5H.3551461002	1		PLUG
22	5H.1230601601	1		SEALING RING
23	5H.7020601703	1		COLUMN
24	5H.006081321	1		BALL SEAT NUT
25	BVG2233	1		O-RING
26	5H.002063193	1		SAFETY RING
27	5H.1120600504	1		TOOTHED CROWN
28	5H.1110600502	1		CROWN HOLDING SUPPORT
29	5H.1110600702	1		SAFETY METAL SHEET
30	5H.2110602402	1		RING
31	5H.002051470	1		SAFETY RING
32	5H.002143191	1		SAFETY RING
33	5H.1120600603	1		SATELLITE
34	5H.1120600802	1		BEARING
36	5H.1120161001	1		PLUG
37	5H.016060442	1		SCREW

Document valid only for consultation

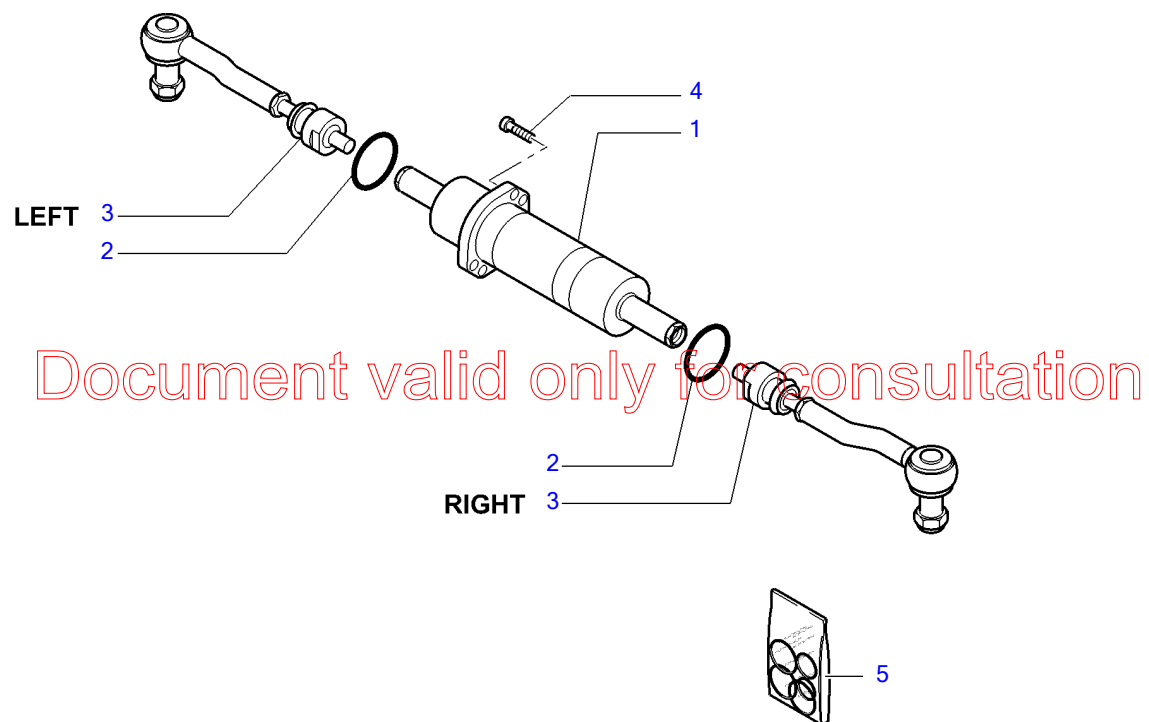


EPICYCLOIDAL REDUCTION UNIT

Reference: a0-5h22182-030

POS.	CODE	Q.TY	UNIT	DESCRIPTION
38	5H.1120605004	1		SATELLITES SUPPORT
39	5H.1120601702	1		SHIM WASHER
40	5H.006254381	1		NUT
41	5H.1110600602	1		STUD BOLT
42	5H.005101380	1		BEARING
43	5H.2110601001	1		WHEEL HUB
44	5H.2210100301	1		BOOM
45	5H.2230601303	1		STUD BOLT
46	5H.011051247	1		WASHER
47	5H.006023451	1		NUT
48	5H.2120671019	1		SATELLITES SUPPORT
52	5H.2130671101	1		SCREW
53	5H.2110601301	1		SHIM (0,15 mm)
54	5H.2110601302	1		SHIM (0,20 mm)
55	5H.2110601303	1		SHIM (0,50 mm)
56	5H.1110670502	1		CROWN HOLDING SUPPORT

Document valid only for consultation



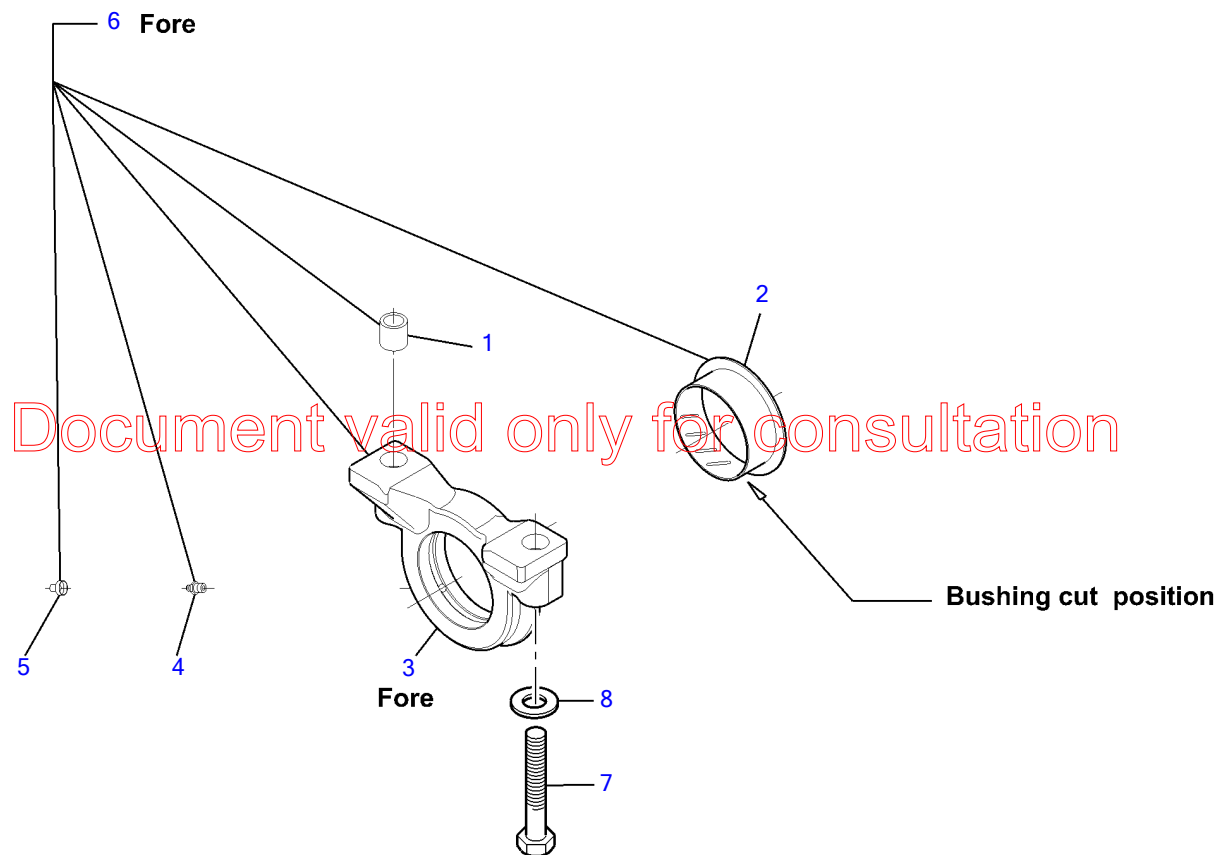


STEERING WHEEL BAR AND CYLINDERS

Reference: a0-5h22182-040

POS.	CODE	Q.TY	UNIT	DESCRIPTION
1	5H.2112462312	1		CYLINDER
2	5H.001051548	1		RING
3	5H.2112462411	1		ARTICULATED ROD
4	5H.016304259	1		SCREW
5	5H.2112445008	1		GASKETS KIT

Document valid only for consultation



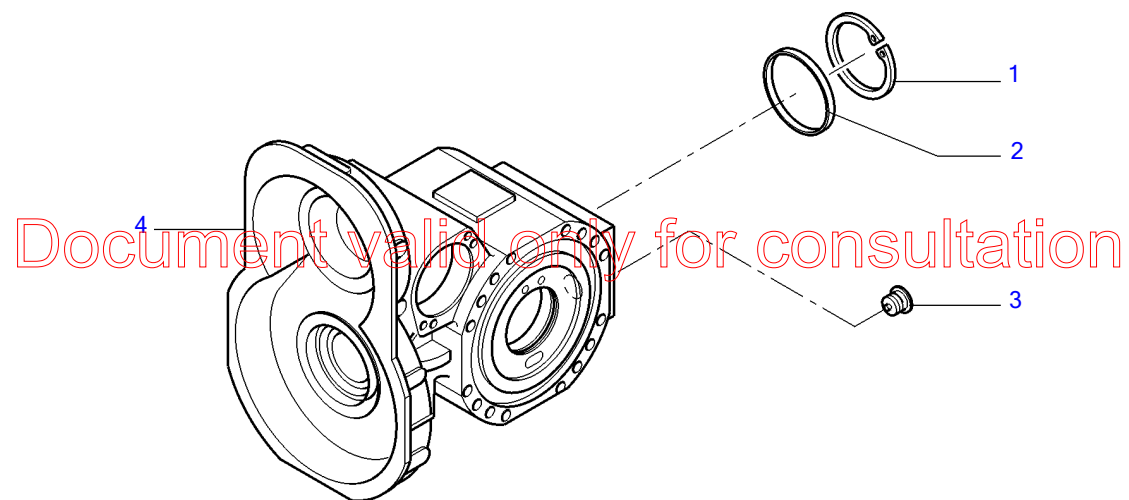


OSCILLATING SUPPORTS

Reference: a0-5h22182-050

POS.	CODE	Q.TY	UNIT	DESCRIPTION
1	5H.2772500201	4		BUSHING
2	5H.2782500201	2		BUSHING
3	5H.2782500103	2		SUPPORT
4	5H.008010213	2		LUBRICATOR
5	5H.7340701501	2		PLUG
6	5H.2782561002	2		SUPPORT
7	BAA7524	2		SCREW
8	BAL5133	2		WASHER

Document valid only for consultation



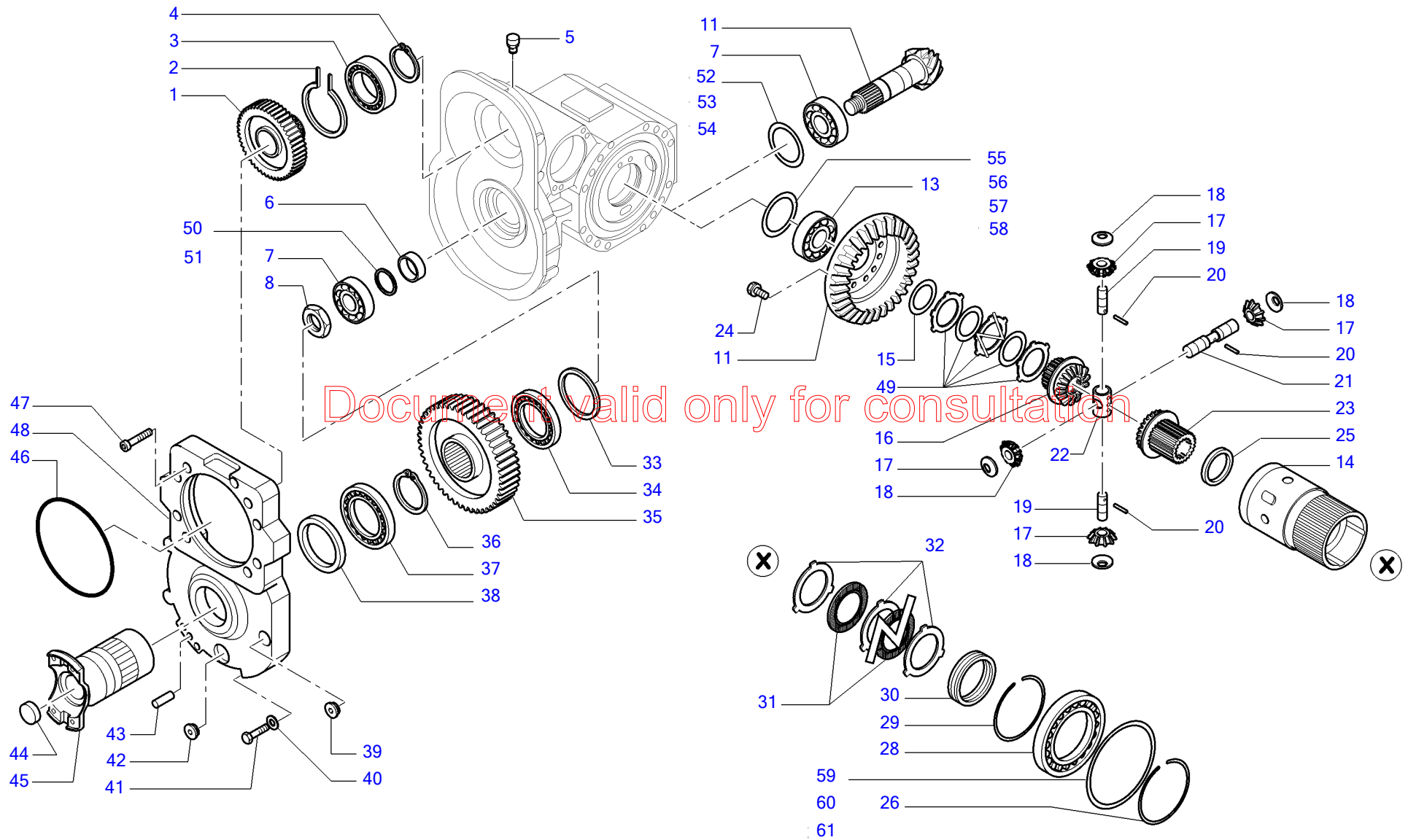


FRONT DIFFERENTIAL HOUSING

Reference: a0-5h60321168-010

POS.	CODE	Q.TY	UNIT	DESCRIPTION
1	5H.002020088	1		SAFETY RING
2	5H.1710101504	1		PLUG
3	5H.3551461102	1		MAGNETIC PLUG
4	5H.2110100301	1		CASING

Document valid only for consultation





DIFFERENTIAL

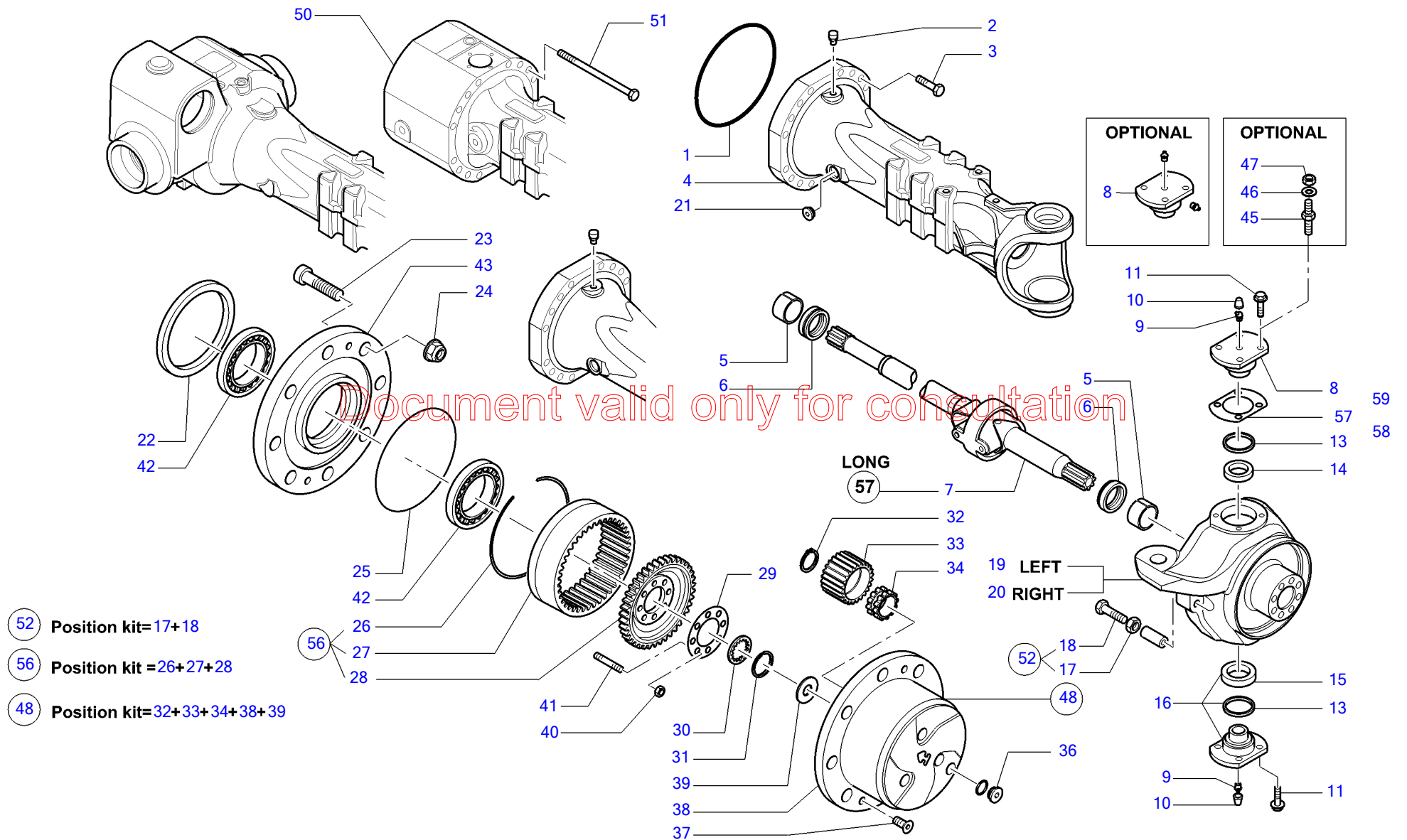
Reference: a0-5h60321168-020

POS.	CODE	Q.TY	UNIT	DESCRIPTION
1	5H.2111400103	1		GEAR
2	5H.2111400501	1		SAFETY RING
3	5H.005010124	1		BALL BEARING
4	5H.002010535	1		SAFETY RING
5	5H.1120101802	1		VENT PLUG
6	5H.3151400801	1		SPACER
7	5H.005092938	1		BEARING
8	5H.2110400501	1		RING NUT
11	5H.1110450007	1		BEVEL GEAR PAIR
13	5H.005090496	1		CONICAL ROLLER BEARING
14	5H.1110405604	1		DIFFERENTIAL HOUSING
15	5H.1710401101	1		SHIM WASHER
16	5H.1110405902	1		CROWN WHEEL
17	5H.1110407001	1		SATELLITE
18	5H.1710401201	1		SHIM WASHER
19	5H.1110403402	1		PIN
20	5H.014033539	1		PIN
21	5H.1110403302	1		PIN
22	5H.1110403202	1		CROSS JOURNAL
23	5H.1110402603	1		CROWN WHEEL
24	5H.016283658	1		SCREW
25	5H.1110406001	1		SHIM WASHER
26	5H.002053540	1		SAFETY RING
28	5H.005103166	1		BEARING
29	5H.002063536	1		SAFETY RING
30	5H.005452335	1		BEARING
31	5H.1110404501	1		DISC
32	5H.000727330	1		DISC
33	5H.001030032	1		SEALING RING
34	5H.005010126	1		BALL BEARING
35	5H.2111400201	1		GEAR
36	5H.002010754	1		SAFETY RING
37	5H.005010623	1		BALL BEARING
38	5H.001033588	1		SEALING RING
39	5H.3551461002	1		PLUG

Document valid only for consultation

POS.	CODE	Q.TY	UNIT	DESCRIPTION
40	5H.011010223	1		SEALING WASHER
41	5H.016314254	1		SCREW
42	5H.3551461102	1		MAGNETIC PLUG
43	5H.014020982	1		PIN
44	5H.015032884	1		PLUG
45	5H.2110400401	1		FLANGE
46	5H.001051487	1		O-RING
47	5H.016304259	1		SCREW
48	5H.2111400301	1		COVER
49	5H.1110461001	1		DISC
50	5H.3151400910	1		RING
51	5H.3151401004	1		RING
52	5H.013011549	1		SHIM (0,10 mm)
53	5H.013011550	1		SHIM (0,15 mm)
54	5H.013011551	1		SHIM (0,20 mm)
55	5H.013011475	1		SHIM (0,10 mm)
56	5H.013013288	1		SHIM (0,15 mm)
57	5H.013013289	1		SHIM (0,20 mm)
58	5H.013013290	1		SHIM (0,30 mm)
59	5H.000345621	1		SHIM (0,50 mm)
60	5H.000345622	1		SHIM (0,20 mm)
61	5H.000345623	1		SHIM (0,15 mm)

Document valid only for consultation





FRONT STEERING AXLE

Reference: a0-5h60321168-030

POS.	CODE	Q.TY	UNIT	DESCRIPTION
1	5H.001051037	1		O-RING
2	5H.1120101802	1		VENT PLUG
3	5H.016314361	1		SCREW
4	5H.2110602801	1		BOOM
5	5H.2110601701	1		BUSHING
6	5H.2110602001	1		SEALING RING
7	5H.2110661103	1		UNIVERSAL JOINT
8	5H.2110601202	1		ARTICULATION PIN
9	BW11128	1		LUBRICATOR
10	5H.7340701501	1		PLUG
11	5H.016283390	1		SCREW
13	5H.2110601901	1		SEALING RING
14	5H.2120600603	1		BUSH
15	5H.2780602801	1		ARTICULATION
16	5H.2110670101	1		ARTICULATION PIN
17	5H.006051521	1		NUT
18	5H.2130601101	1		SCREW
19	5H.2110671503	1		ARTICULATED BOX
20	5H.2110671403	1		ARTICULATED BOX
21	5H.3551461002	1		PLUG
22	5H.1230601601	1		SEALING RING
23	5H.7020601703	1		COLUMN
24	5H.006081321	1		BALL SEAT NUT
25	BVG2233	1		O-RING
26	5H.002063193	1		SAFETY RING
27	5H.1120600504	1		TOOTHED CROWN
28	5H.1110600502	1		CROWN HOLDING SUPPORT
29	5H.1110600702	1		SAFETY METAL SHEET
30	5H.2110602402	1		RING
31	5H.002051470	1		SAFETY RING
32	5H.002143191	1		SAFETY RING
33	5H.1120600603	1		SATELLITE
34	5H.1120600802	1		BEARING
36	5H.1120161001	1		PLUG
37	5H.016060442	1		SCREW

Document valid only for consultation

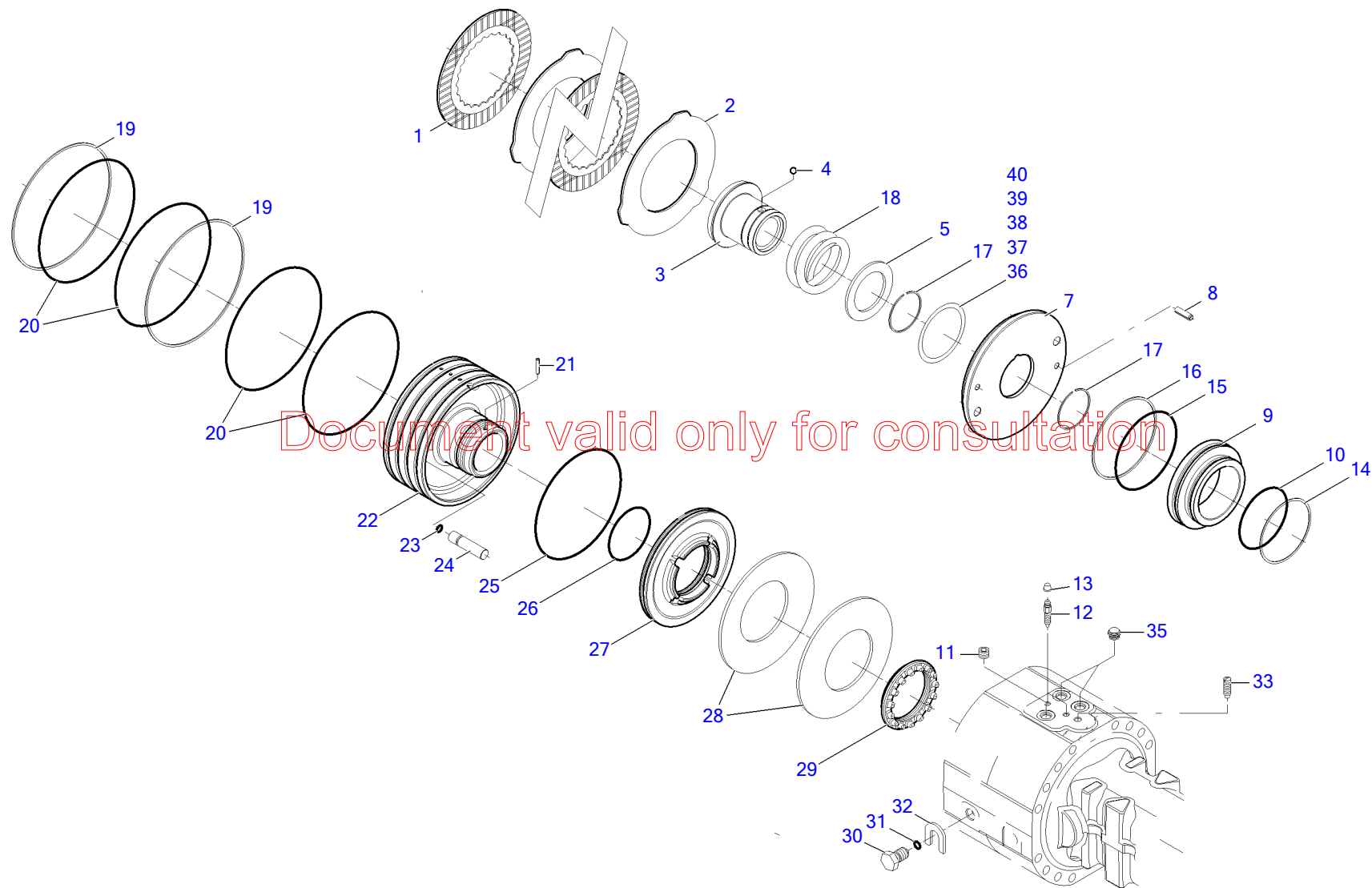


FRONT STEERING AXLE

Reference: a0-5h60321168-030

POS.	CODE	Q.TY	UNIT	DESCRIPTION
38	5H.1120605004	1		SATELLITES SUPPORT
39	5H.1120601702	1		SHIM WASHER
40	5H.006254381	1		NUT
41	5H.1110600602	1		STUD BOLT
42	5H.005101380	1		BEARING
43	5H.2110601001	1		WHEEL HUB
45	5H.2230601303	1		STUD BOLT
46	5H.011051247	1		WASHER
47	5H.006023451	1		NUT
48	5H.2120671019	1		SATELLITES SUPPORT
50	5H.2110602706	1		BOOM
51	5H.016314252	1		SCREW
52	5H.2130671101	1		SCREW
56	5H.1110670502	1		CROWN HOLDING SUPPORT
57	5H.2110601301	1		SHIM (0,15 mm)
58	5H.2110601302	1		SHIM (0,20 mm)
59	5H.2110601303	1		SHIM (0,50 mm)

Document valid only for consultation





DISC BRAKES

Reference: a0-5h60321168-040

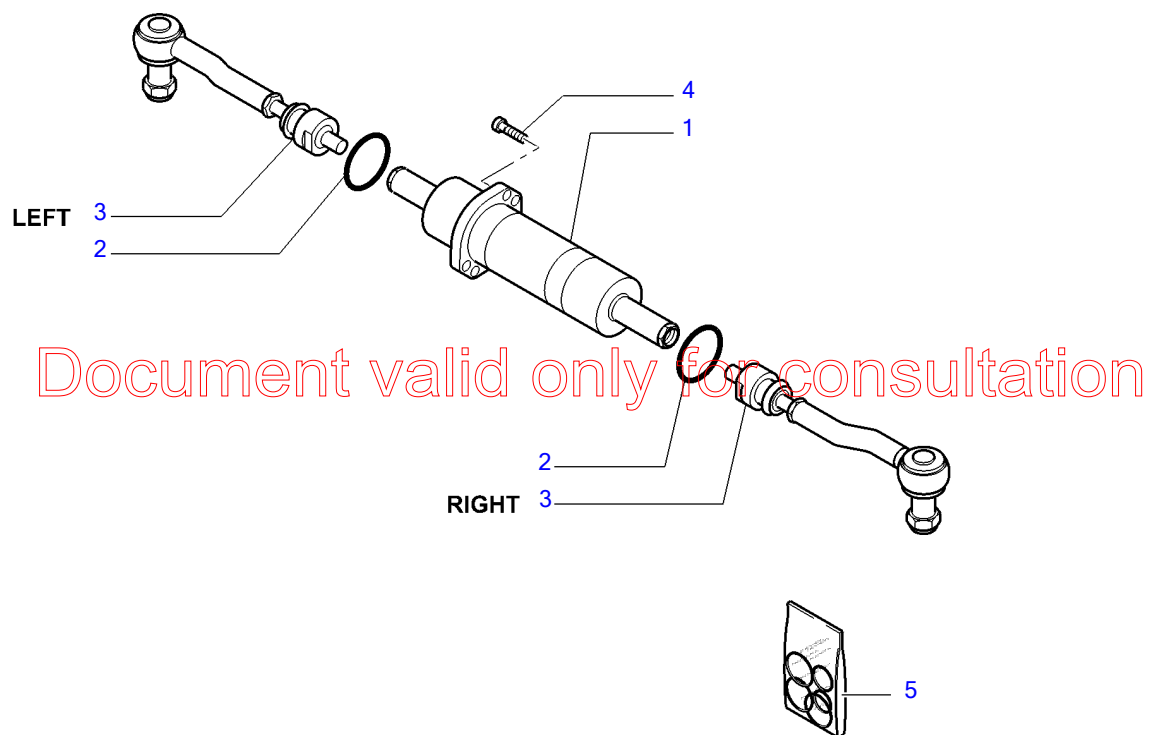
POS.	CODE	Q.TY	UNIT	DESCRIPTION
1	5H.1120761102	1		BRAKE DISC
2	5H.1110701503	1		INTERMEDIATE BRAKE DISC
3	5H-1110403005	1		BUSHING
4	5H.19JM00100	1		BALL
5	5H.1110402903	1		SPACER
7	5H.1110702207	1		INTERMEDIATE BRAKE DISC
8	5H.014033601	1		ELASTIC PIN
9	5H.1110702002	1		PISTON
10	5H.001050691	1		O-RING
11	5H.016454479	1		SCREW
12	5H.7340701401	1		BLEED SCREW
13	5H.7340701501	1		PLUG
14	5H.1110701601	1		ANTI-EXTRUSION RING
15	5H.7380710201	1		O-RING
16	5H.7380710401	1		ANTI-EXTRUSION RING
17	5H.002053599	1		SAFETY RING
18	5H.1110403103	1		SAFETY RING
19	5H.1830700301	1		ANTI-EXTRUSION RING
20	5H.001054142	1		O-RING
21	5H.014033539	1		PIN
22	5H.1110701407	1		PISTON
23	5H.001050933	1		O-RING
24	5H.1110702101	1		PIN
25	5H.001050807	1		O-RING
26	5H.001051620	1		O-RING
27	5H.1110705601	1		PISTON
28	5H.7380710001	1		SPRING
29	5H.1110702601	1		RING NUT
30	5H.1110702403	1		SCREW
31	5H.001051238	1		O-RING
32	5H.1110702502	1		SPACER
33	5H.016090451	1		THREADED DOWEL
35	5H.1120761501	1		SCREW
36	5H.013010311	1		SHIM (0,10 mm)
37	5H.013010313	1		SHIM (0,30 mm)

Document valid only for consultation



POS.	CODE	Q.TY	UNIT	DESCRIPTION
38	5H.013010314	1		SHIM (0,40 mm)
39	5H.013011241	1		SHIM (0,15 mm)
40	5H.013013177	1		SHIM (0,20 mm)

Document valid only for consultation





STEERING WHEEL BAR AND CYLINDERS

Reference: a0-5h60321168-050

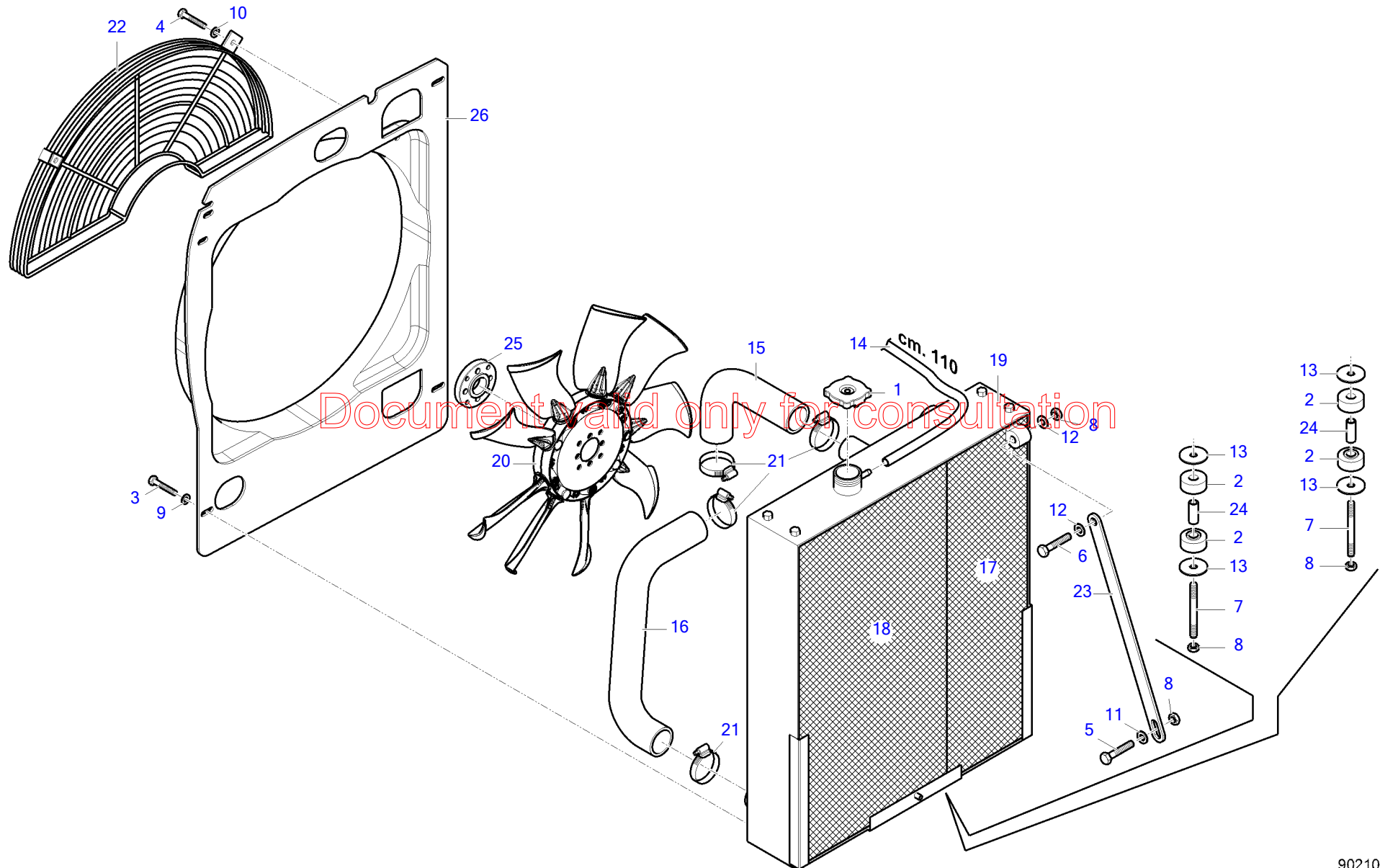
POS.	CODE	Q.TY	UNIT	DESCRIPTION
1	5H.2112462312	1		CYLINDER
2	5H.001051548	1		RING
3	5H.2112462411	1		ARTICULATED ROD
4	5H.016304259	1		SCREW
5	5H.2112445008	1		GASKETS KIT

Document valid only for consultation



DESCRIPTION	REFERENCE	PAGE
WATER-OIL RADIATOR	F0-00010_00	65
AIR FILTER	F0-00030_00	66
MUFFLER	F0-00040_00	67
ASPIRATED ENGINE SUPPORTS	F0-00050_00	68
SPARE PARTS - 1	F0-BMN1954-010	69
SPARE PARTS - 2	F0-BMN1954-020	70
SPARE PARTS - 3	F0-BMN1954-030	71
SPARE PARTS - 4	F0-BMN1954-040	72
SPARE PARTS - 5	F0-BMN1954-050	73
SPARE PARTS - 6	F0-BMN1954-060	74
SPARE PARTS - 7	F0-BMN1954-070	75
SPARE PARTS - 8	F0-BMN1954-080	76

Document valid only for consultation



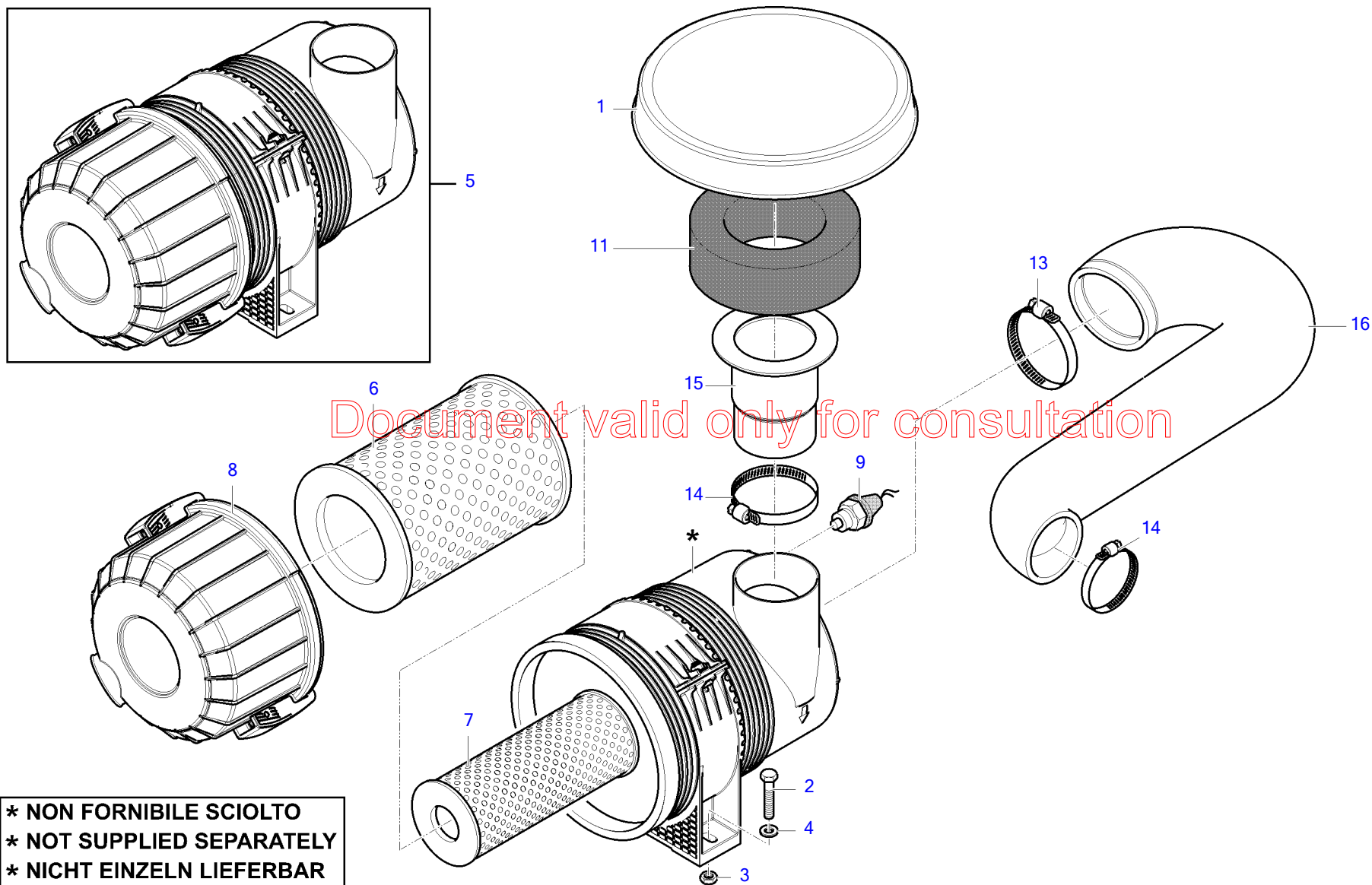


WATER-OIL RADIATOR

Reference: f0-00010_00

POS.	CODE	Q.TY	UNIT	DESCRIPTION
1	1F.4845413	1		PLUG
2	1F.741569	1		ANTI-VIBRATION UNITS
3	BAA7152	1		SCREW
4	BAA7204	1		SCREW
5	BAA7254	1		SCREW
6	BAA7258	1		SCREW
7	BAF1132	1		STUD BOLT
8	BAG4118	1		NUT
9	BAL5109	1		WASHER
10	BAL5112	1		WASHER
11	BAL5114	1		WASHER
12	BAL5115	1		WASHER
13	BAL5124	1		WASHER
14	BIL2001	1	M	PIPE
15	BSH9170	1		SLEEVE
16	BSH9171	1		SLEEVE
17	BVK0328	1		OIL RADIATOR
18	BVK0327	1		WATER RADIATOR
19	BVK0305	1		COMPLETE RADIATOR
20	BVK0434	1		FAN
21	BWF1112	1		CLAMP
22	CLB4042	1		NET
23	CVC6118/CL	1		SUPPORT
24	PAZ3004	1		BUSH
25	POD8004	1		SPACER
26	RIV0000032	1		CONVEYOR

Document valid only for consultation



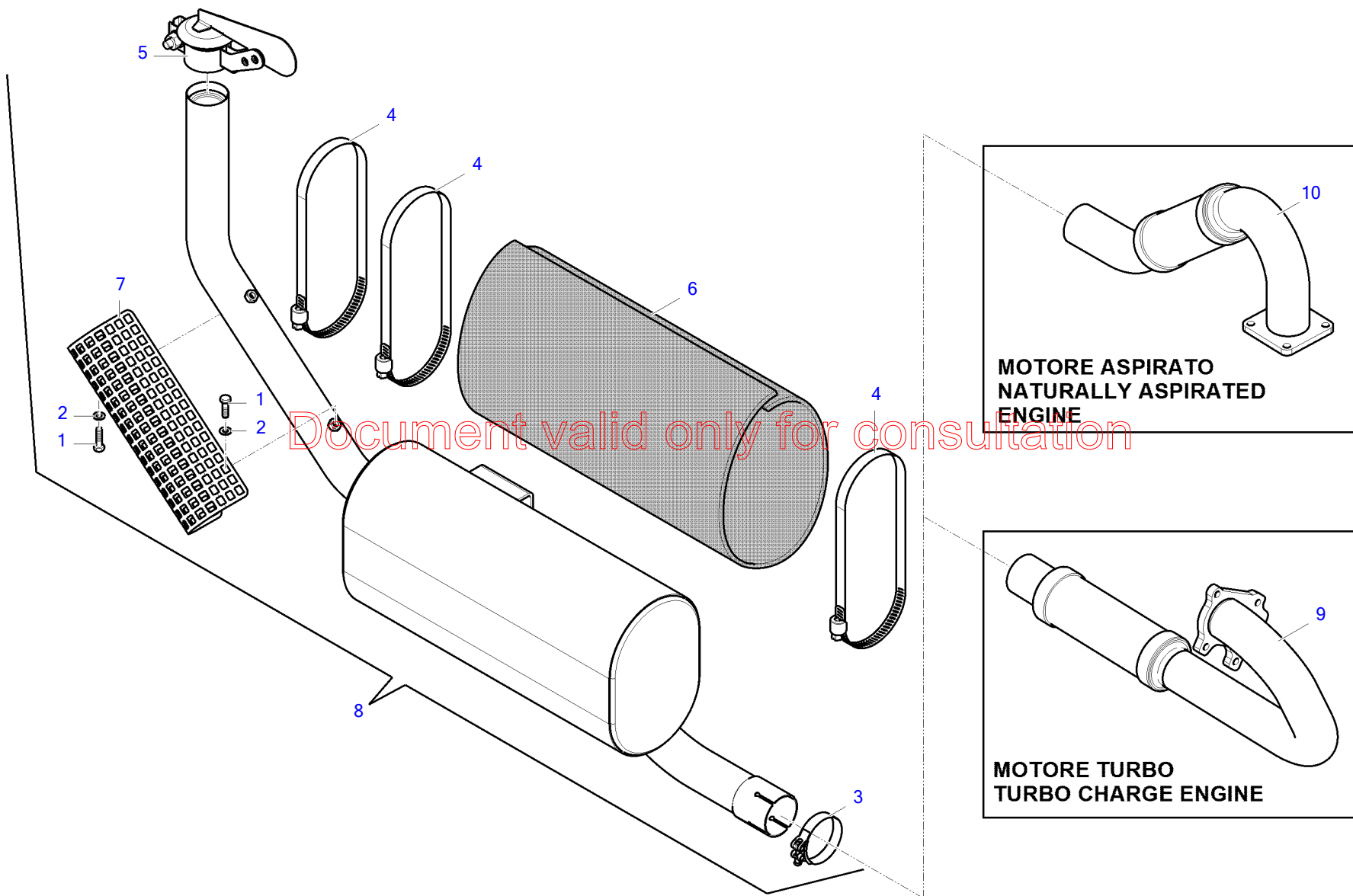


AIR FILTER

Reference: f0-00030_00

POS.	CODE	Q.TY	UNIT	DESCRIPTION
1	1F.8014388	1		CAP FOR FILTER
2	BAA7205	1		SCREW
3	BAG4117	1		NUT
4	BAL5113	1		WASHER
5	BHC5041	1		AIR FILTER
6	BHC5042	1		AIR FILTER CARTRIDGE - EXTERNAL
7	BHC5043	1		AIR FILTER CARTRIDGE - INTERNAL
8	BHC5049	1		COVER
9	BHC5051	1		FILTER CLOGGING SENSOR
11	BSI1049	1		STOPPER
13	BWF1115	1		CLAMP
14	BWF1240	1		CLAMP
15	MOE0000028	1		PIPE
16	MOE0000119	1		SLEEVE

Document valid only for consultation



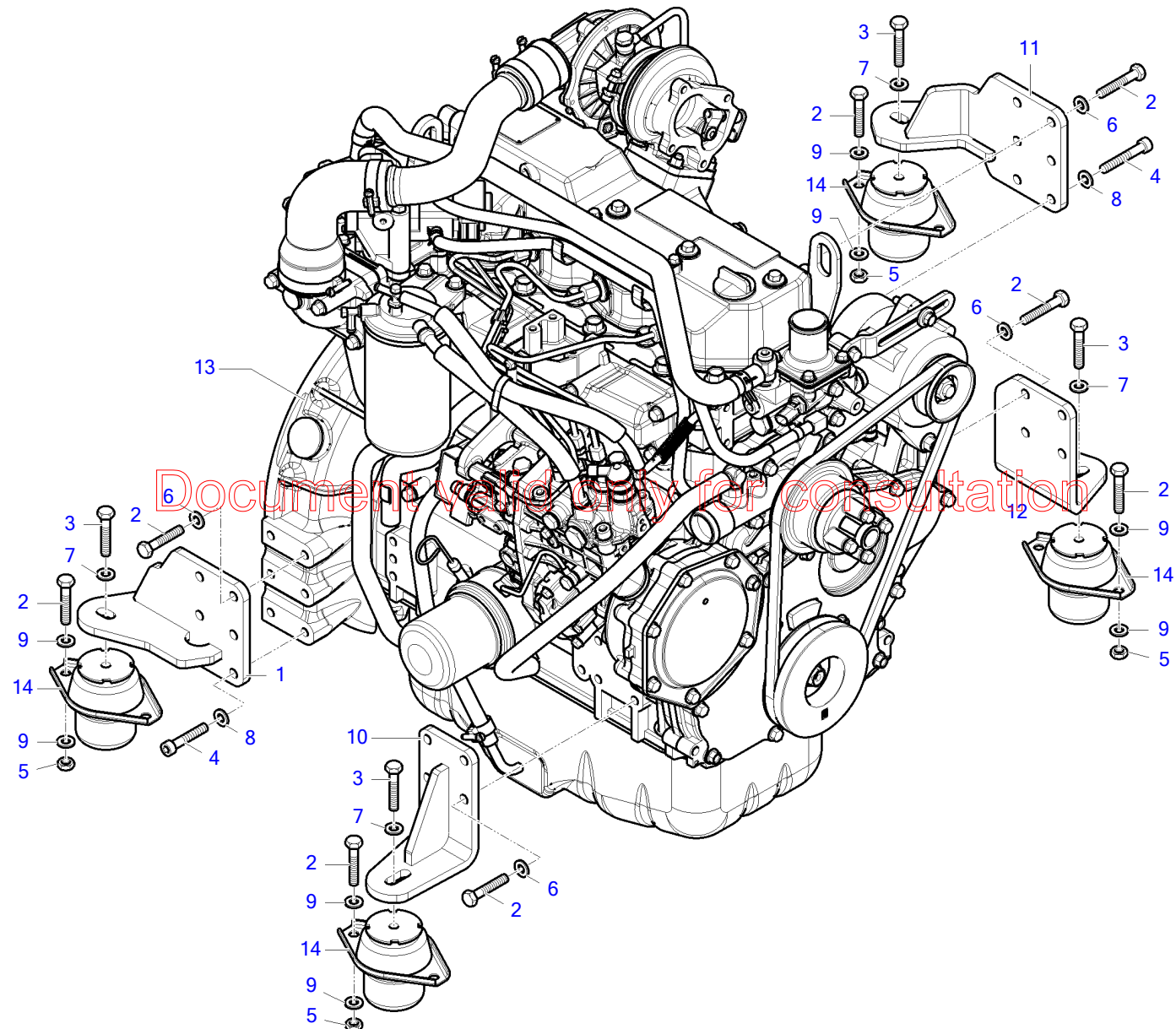


MUFFLER

Reference: f0-00040_00

POS.	CODE	Q.TY	UNIT	DESCRIPTION
1	BAA7199	1		SCREW
2	BAL5112	1		WASHER
3	BWF1223	1		CLAMP
4	BWF1639	1		CLAMP
5	BWM1555	1		RAIN GUARD CAP
6	BWM1632	1		SOUNDPROOFING
7	BWM1633	1		PROTECTION
8	MOE0000023	1		EXHAUST MUFFLER
9	MOE0000026	1		EXHAUST COLLECTOR
10	MOE0000045	1		EXHAUST COLLECTOR

Document valid only for consultation



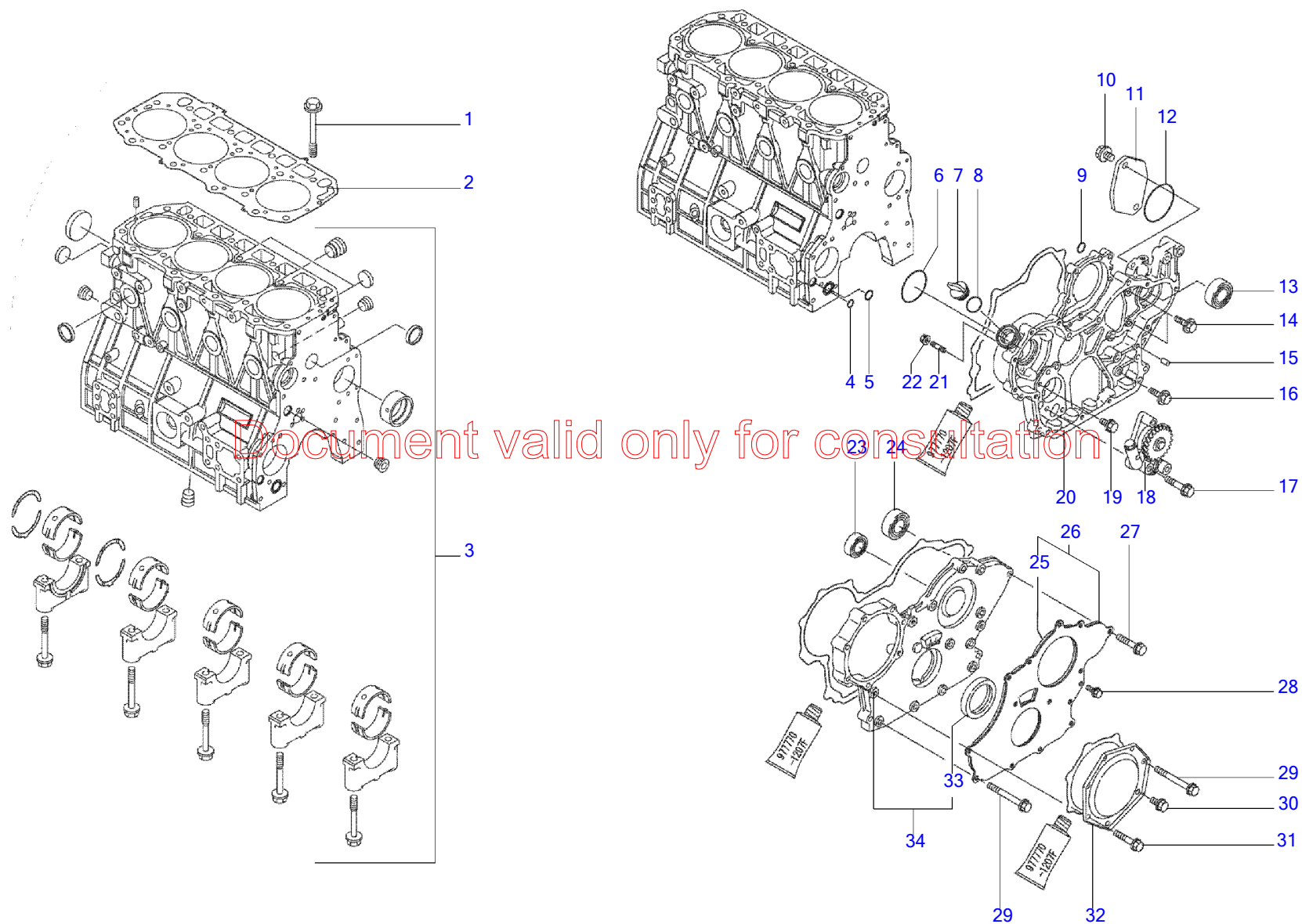


ASPIRATED ENGINE SUPPORTS

Reference: f0-00050_00

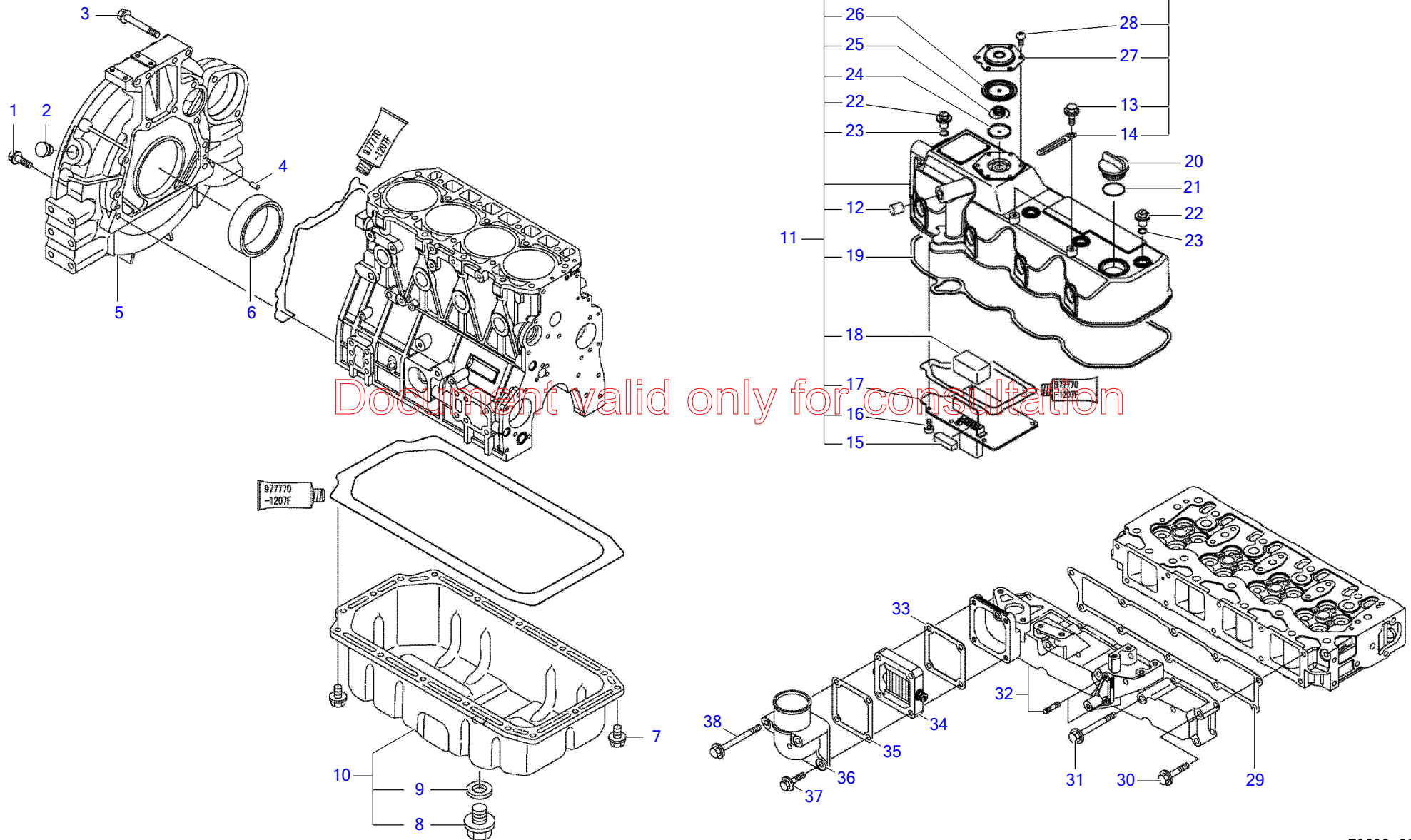
POS.	CODE	Q.TY	UNIT	DESCRIPTION
1	ASM0000412/CL	1		ENGINE SUPPORT
2	BAA7254	1		SCREW
3	BAA7305	1		SCREW
4	BAB5254	1		SCREW
5	BAG4118	1		NUT
6	BAL3248	1		WASHER
7	BAL3250	1		WASHER
8	BAL3310	1		WASHER
9	BAL5115	1		WASHER
10	BCN6095/CL	1		BRACKET
11	BCN6097/CL	1		SUPPORT
12	BCN6098/CL	1		SUPPORT
13	BMN1961	1		ENGINE
14	BWE0112	1		ANTI-VIBRATION UNITS

Document valid only for consultation



POS.	CODE	Q.TY	UNIT	DESCRIPTION
1	1Y.12990001200	1		SCREW
2	1Y.12990701331	1		GASKET
3	1Y.72992701560	1		ENGINE BLOCK
4	1Y.12990032040	1		O-RING
5	1Y.12990032030	1		O-RING
6	1Y.24351030750	1		O-RING
7	1Y.12416001751	1		COVER
8	1Y.24311000320	1		O-RING
9	1Y.24311000070	1		O-RING
10	1Y.26106100202	1		SCREW
11	1Y.12102326070	1		COVER
12	1Y.24321000850	1		O-RING
13	1Y.12990026250	1		BALL BEARING
14	1Y.26106080202	1		SCREW
15	1Y.12910001580	1		PIN
16	1Y.26106080202	1		SCREW
17	1Y.26106080452	1		SCREW
18	1Y.12990032001	1		PUMP
19	1Y.26106080162	1		SCREW
20	1Y.12996201500	1		HOUSING
21	1Y.26216100302	1		SCREW
22	1Y.26306100002	1		NUT
23	1Y.12990014140	1		BEARING
24	1Y.12990026250	1		BALL BEARING
25	1Y.12990001870	1		SPONGE
26	1Y.12990001850	1		COVER
27	1Y.26106080402	1		SCREW
28	1Y.26106080162	1		SCREW
29	1Y.26106080702	1		SCREW
30	1Y.26106080162	1		SCREW
31	1Y.26106080402	1		SCREW
32	1Y.12990001740	1		COVER
33	1Y.12991601800	1		SEALING RING
34	1Y.72990601550	1		COVER

Document valid only for consultation



Document valid only for consultation

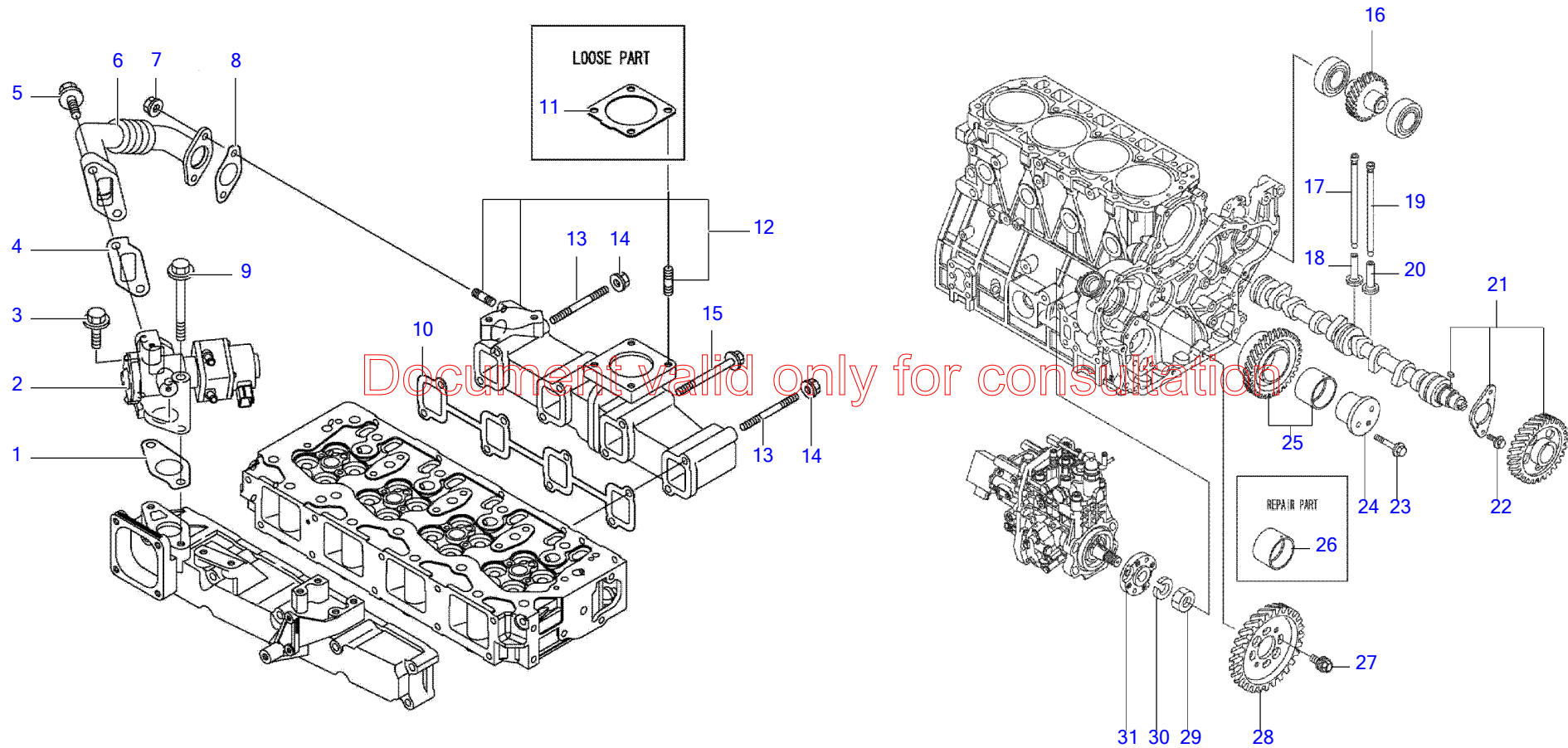
POS.	CODE	Q.TY	UNIT	DESCRIPTION
1	1Y.26206100352	1		SCREW
2	1Y.11962001750	1		PLUG
3	1Y.26206100702	1		SCREW
4	1Y.12910001580	1		PIN
5	1Y.12990001620	1		COVER
6	1Y.12991601790	1		SEALING RING
7	1Y.26106080122	1		SCREW
8	1Y.11964001640	1		PLUG
9	1Y.22190220002	1		GASKET
10	1Y.12991601710	1		TANK
11	1Y.12992711320	1		COVER
12	1Y.11964061400	1		PLUG
13	1Y.26106060122	1		SCREW
14	1Y.17533979700	1		FIXING COLLAR
15	1Y.12990703061	1		BAFFLE
16	1Y.22857500100	1		SCREW
17	1Y.12990703011	1		PLATE
18	1Y.12990703070	1		BAFFLE
19	1Y.12993311310	1		GASKET
20	1Y.12416001751	1		COVER
21	1Y.24311000320	1		O-RING
22	1Y.12416011360	1		SCREW
23	1Y-24311000120	1		O-RING
24	1Y.12390703110	1		PLATE
25	1Y.12390703140	1		SPRING
26	1Y.12390703100	1		BREATHER
27	1Y.12390703120	1		PLATE
28	1Y.22857500100	1		SCREW
29	1Y.12990712110	1		GASKET
30	1Y.26106080452	1		SCREW
31	1Y.26106080802	1		SCREW
32	1Y.12992712150	1		COLLECTOR
33	1Y.12185077021	1		GASKET
34	1Y.11900577051	1		HEATER
35	1Y.11912977020	1		GASKET

Document valid only for consultation



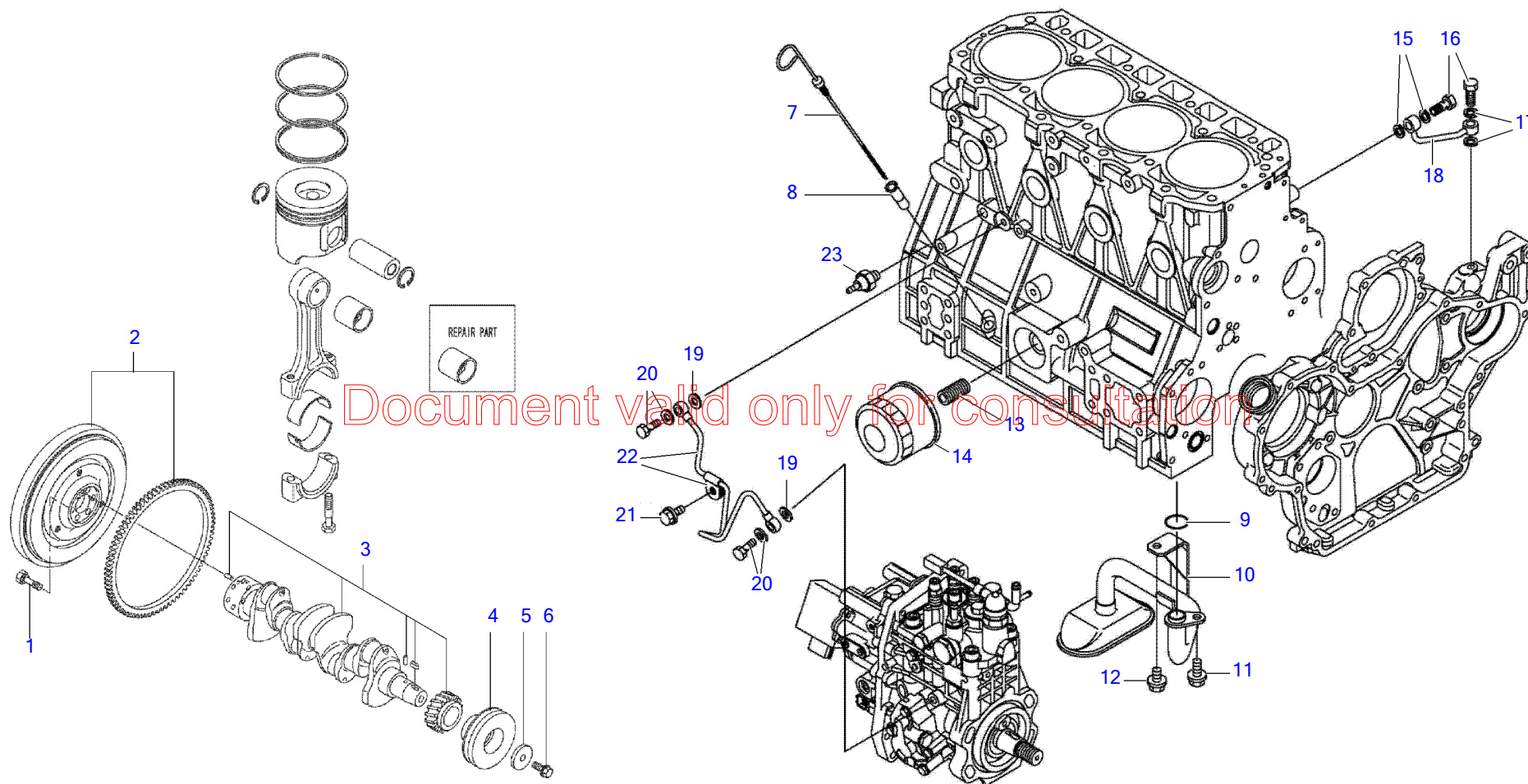
POS.	CODE	Q.TY	UNIT	DESCRIPTION
36	1Y.11912977520	1		CURVED PIPE
37	1Y.26106080402	1		SCREW
38	1Y.26106080902	1		SCREW

Document valid only for consultation



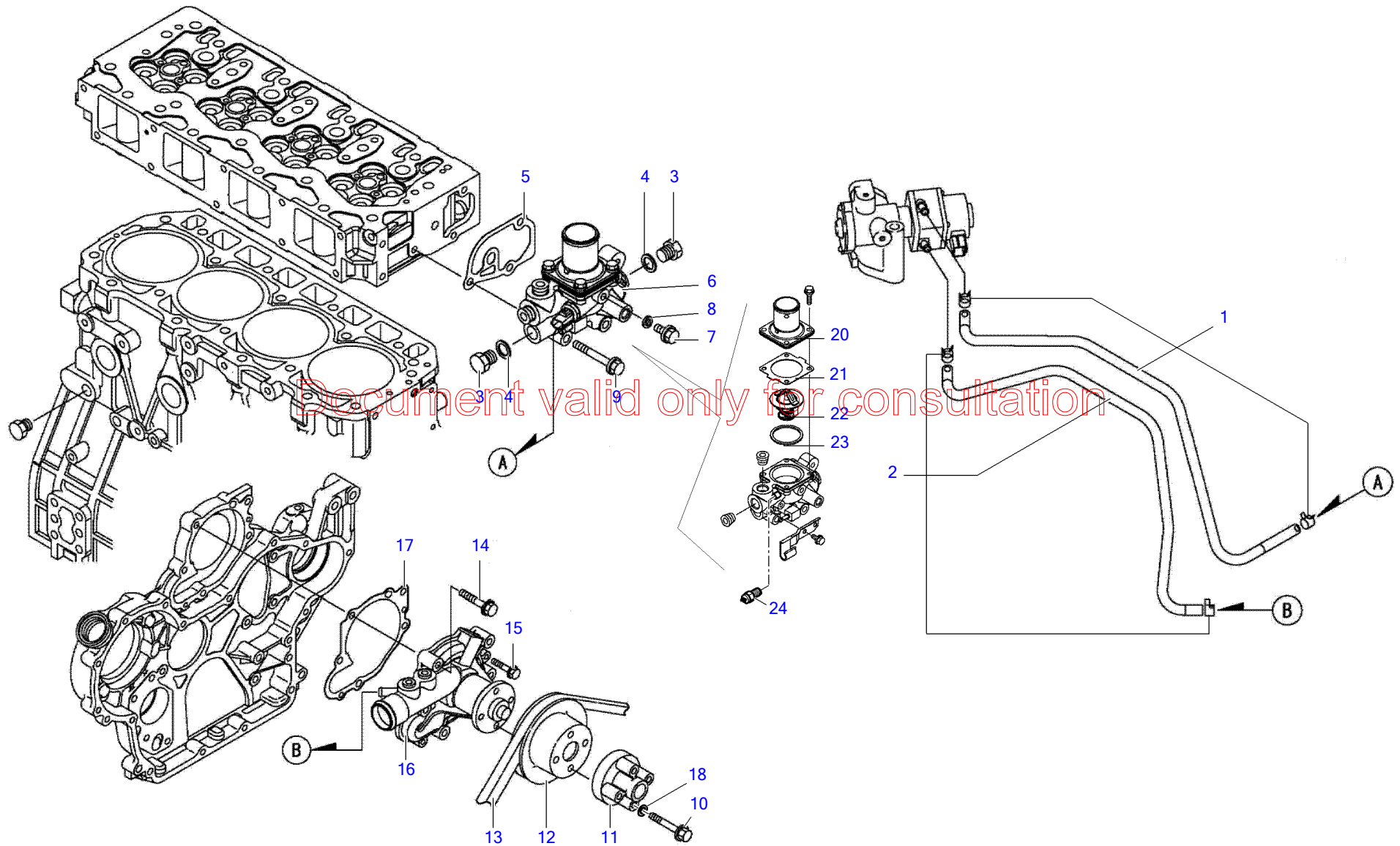
POS.	CODE	Q.TY	UNIT	DESCRIPTION
1	1Y.12992713920	1		GASKET
2	1Y.12992813900	1		VALVE
3	1Y.26106100302	1		SCREW
4	1Y.12992713910	1		GASKET
5	1Y.26106100302	1		SCREW
6	1Y.12992713800	1		PIPE
7	1Y.26306080002	1		NUT
8	1Y.12992713810	1		GASKET
9	1Y.26106100952	1		SCREW
10	1Y.12990013251	1		GASKET
11	1Y.12993013201	1		GASKET
12	1Y.12992713150	1		COLLECTOR
13	1Y.12926313210	1		STUD BOLT
14	1Y.26306080002	1		NUT
15	1Y.11980213680	1		SCREW
16	1Y.12990026030	1		GEAR
17	1Y.12990714400	1		ROD
18	1Y.12915014200	1		PIN
19	1Y.12990714400	1		ROD
20	1Y.12915014200	1		PIN
21	1Y.12990814590	1		CAMSHAFT
22	1Y.26106080162	1		SCREW
23	1Y.26106080552	1		SCREW
24	1Y.12390025060	1		CAMSHAFT
25	1Y.12990025110	1		GEAR
26	1Y.12915025920	1		BUSH
27	1Y.12995325300	1		SCREW
28	1Y.12990725900	1		GEAR
29	1Y.26776180002	1		NUT
30	1Y.22217180000	1		WASHER
31	1Y.15856351150	1		FLANGE

Document valid only for consultation



POS.	CODE	Q.TY	UNIT	DESCRIPTION
1	1Y.12185021130	1		SCREW
2	1Y.12995321570	1		STEERING WHEEL
3	1Y.12990221050	1		CAMSHAFT
4	1Y.12990721660	1		CAMSHAFT
5	1Y.12990021640	1		WASHER
6	1Y.12185021680	1		SCREW
7	1Y.12995334830	1		ROD
8	1Y.12152034810	1		GUIDE
9	1Y.12990032030	1		O-RING
10	1Y.12995335000	1		PIPE
11	1Y.26106080162	1		SCREW
12	1Y.26106080122	1		SCREW
13	1Y.11900035140	1		STUD BOLT
14	BHC5044	1		ENGINE OIL FILTER
15	1Y.22190080002	1		WASHER
16	1Y.10501039140	1		SCREW
17	1Y.22190080002	1		WASHER
18	1Y.12993039050	1		PIPE
19	1Y.22190080002	1		WASHER
20	1Y.12900559830	1		SCREW
21	1Y.26106080122	1		SCREW
22	1Y.12992739060	1		PIPE
23	1Y.11425039450	1		THERMOSTAT

Document valid only for consultation



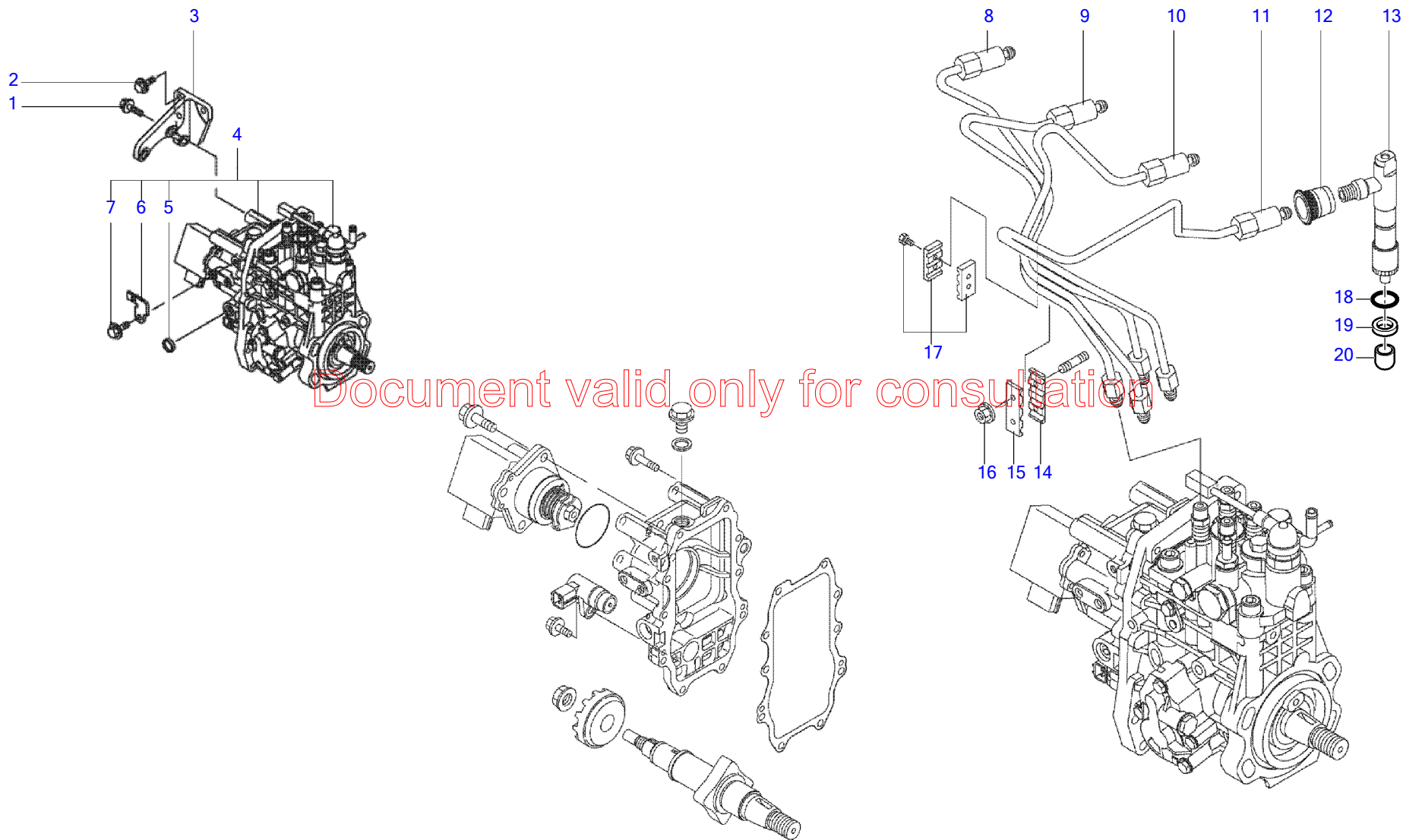


SPARE PARTS - 5

Reference: f0-bmn1954-050

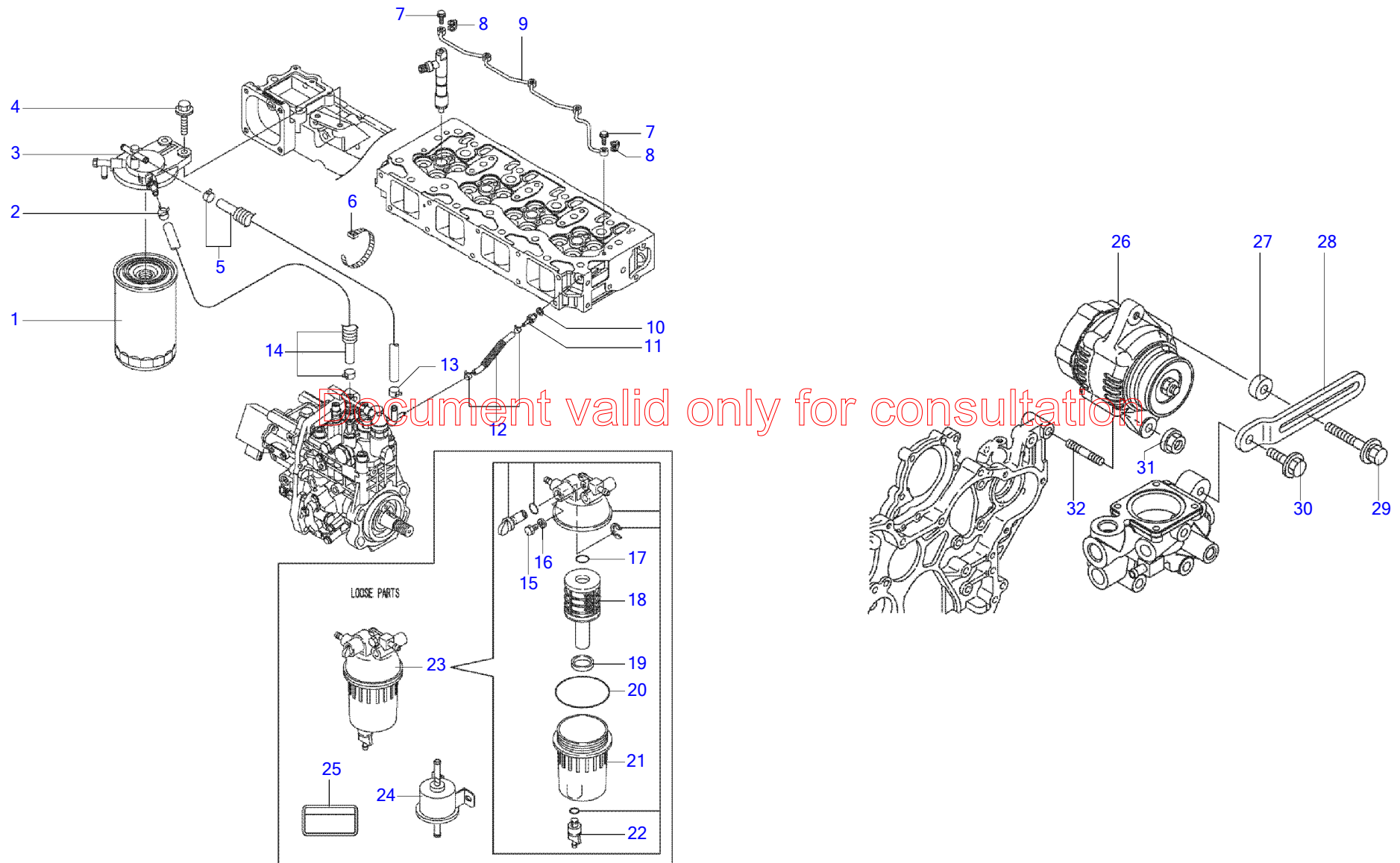
POS.	CODE	Q.TY	UNIT	DESCRIPTION
1	1Y.12992749620	1		PIPE
2	1Y.12992749610	1		PIPE
3	1Y.12145042450	1		PLUG
4	1Y.12446544950	1		GASKET
5	1Y.12990049870	1		GASKET
6	1Y.12992749800	1		THERMOSTAT
7	1Y.26106080122	1		SCREW
8	1Y.23414080000	1		GASKET
9	1Y.26106080602	1		SCREW
10	BAA7212	1		SCREW
11	1Y.11914144760	1		SPACER
12	1Y.12990042450	1		PULLEY
13	1Y.25132004150	1		BELT
14	1Y.26106080552	1		SCREW
15	1Y.26106060302	1		SCREW
16	1Y.12992742000	1		PUMP
17	1Y.12990042020	1		GASKET
18	BAL3247	1		WASHER
20	1Y.12991649530	1		COVER
21	1Y.12185049540	1		GASKET
22	1Y.12185049810	1		THERMOSTAT
23	1Y.12185049550	1		GASKET
24	1Y.12992744900	1		SENSOR

Document valid only for consultation



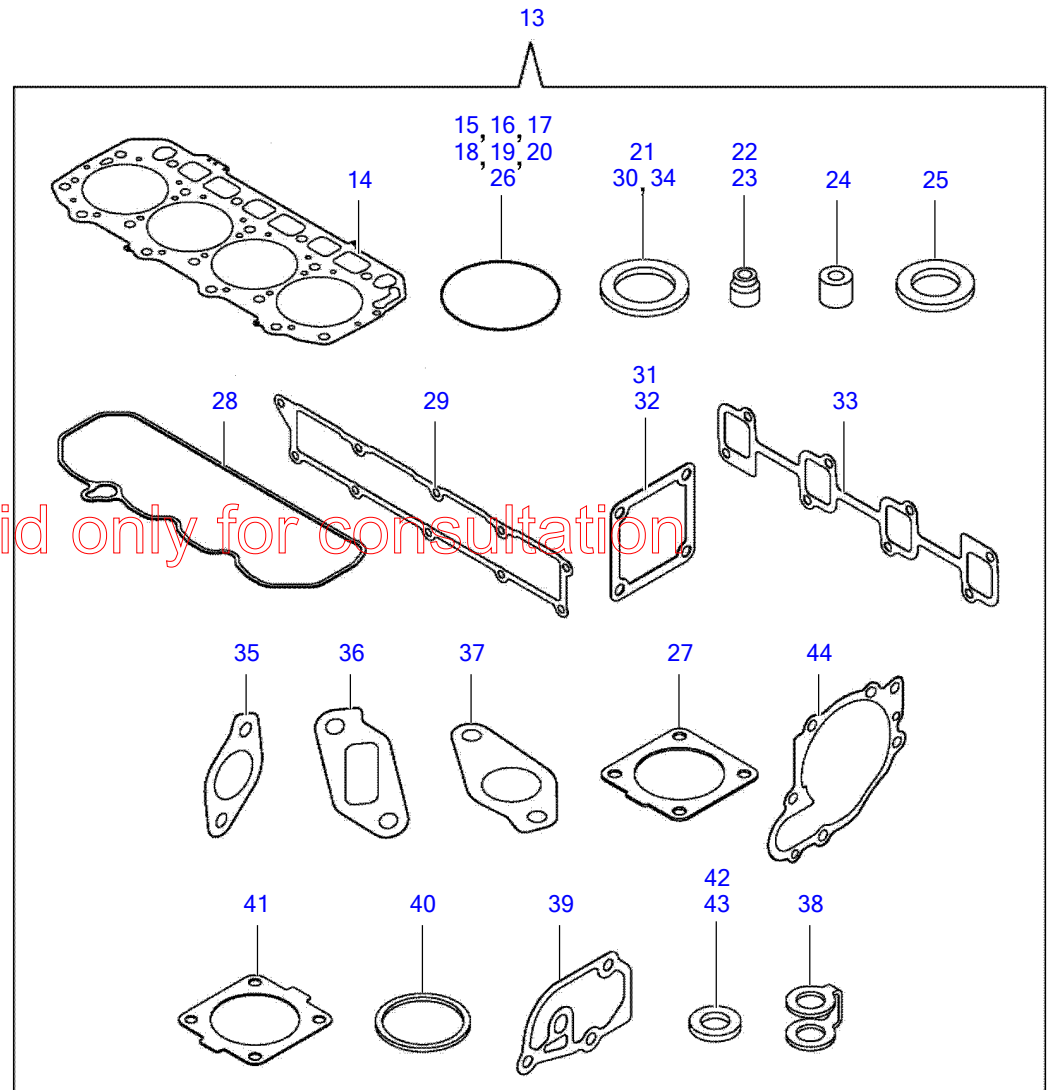
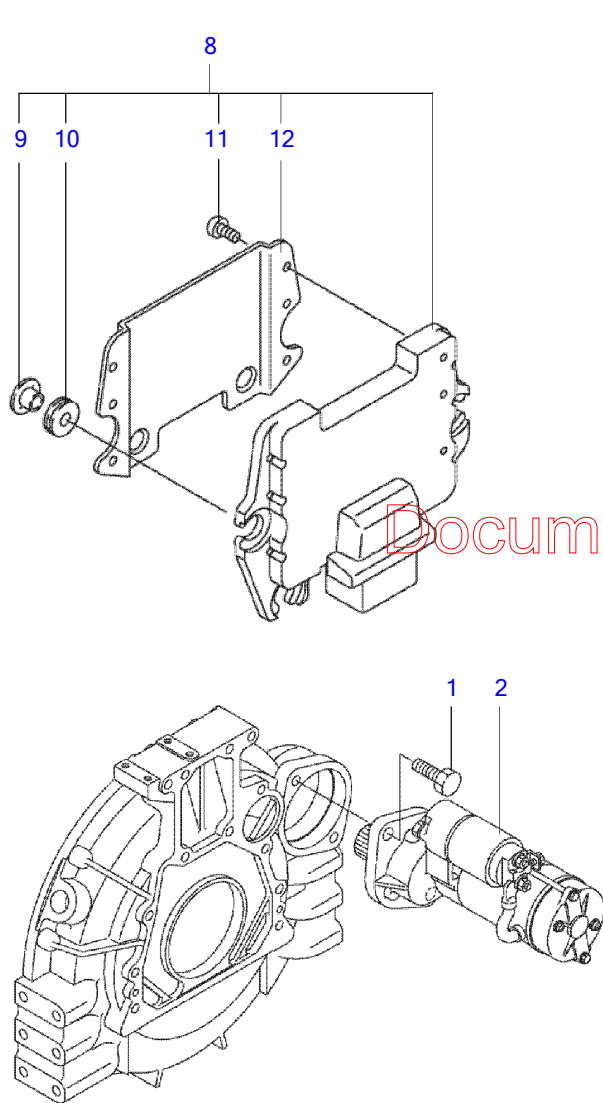
POS.	CODE	Q.TY	UNIT	DESCRIPTION
1	1Y.26106080302	1		SCREW
2	1Y.26106080202	1		SCREW
3	1Y.12992751250	1		SUPPORT
4	1Y.72992151310	1		PUMP
5	1Y.27241160000	1		PLUG
6	1Y.12992751670	1		SUPPORT
7	1Y.26106060122	1		SCREW
8	1Y.12992759810	1		PIPE
9	1Y.12992759820	1		PIPE
10	1Y.12992759830	1		PIPE
11	1Y.12992759840	1		PIPE
12	1Y.12390711601	1		GASKET
13	1Y.72992753100	1		INJECTOR
14	1Y.12347259120	1		SUPPORT
15	1Y.12347259120	1		SUPPORT
16	1Y.26366060002	1		NUT
17	1Y.12915059120	1		COLLAR
18	1Y-24311000120	1		O-RING
19	1Y-11962511880	1		INJECTOR WASHER
20	1Y-11980211870	1		FLAME DAMPER

Document valid only for consultation



POS.	CODE	Q.TY	UNIT	DESCRIPTION
1	BHC5045	1		FUEL FILTER
2	1Y.12476659050	1		CLAMP
3	1Y.12900455612	1		SUPPORT
4	1Y.26106080302	1		SCREW
5	1Y.12945759010	1		PIPE
6	1Y.12175059890	1		CLAMP
7	1Y.12390759540	1		SCREW
8	1Y.12390759550	1		CLAMP
9	1Y.12990759140	1		PIPE
10	1Y.22190080002	1		WASHER
11	1Y.12390759560	1		JOINT
12	1Y.12992759550	1		PIPE
13	1Y.12476659050	1		CLAMP
14	1Y.12996159310	1		PIPE
15	1Y.12924255750	1		VALVE
16	1Y.12924255760	1		WASHER
17	1Y.24311000160	1		O-RING
18	BHC5046	1		FUEL FILTER (SEPARATOR)
19	1Y.12924255770	1		BUSH
20	1Y.24321000750	1		O-RING
21	1Y.12924255720	1		COVER
22	1Y.12924255740	1		PLUG
23	1Y.12924255700	1		FILTER
24	1Y.11922552102	1		PUMP
25	1Y.11411007760	1		LABEL
26	1Y.11962677210	1		ALTERNATOR
27	1Y.11994077270	1		SPACER
28	1Y.12997277330	1		BELT
29	1Y.12997277341	1		SCREW
30	1Y.26106080222	1		SCREW
31	1Y.26306100002	1		NUT
32	1Y.12979501900	1		STUD BOLT

Document valid only for consultation



Document valid only for consultation

POS.	CODE	Q.TY	UNIT	DESCRIPTION
1	1Y.26116120252	1		SCREW
2	1Y.12994077010	1		STARTER MOTOR
8	1Y.12992775900	1		ELECTRICAL CONTROL UNIT
9	1Y.12992777680	1		FIXING COLLAR
10	1Y.11957891351	1		WASHER
11	1Y.22877500080	1		SCREW
12	1Y.12992777600	1		SUPPORT
13	1Y.72992792760	1		GASKETS KIT
14	1Y.12990701331	1		GASKET
15	1Y.12990032030	1		O-RING
16	1Y.12990032040	1		O-RING
17	1Y.24311000070	1		O-RING
18	1Y.24351030750	1		O-RING
19	1Y.24311000320	1		O-RING
20	1Y.24321000850	1		O-RING
21	1Y.22190220002	1		GASKET
22	1Y.11980311340	1		SEALING RING
23	1Y.12416011340	1		SEALING RING
24	1Y-11980211870	1		FLAME DAMPER
25	1Y-11962511880	1		INJECTOR WASHER
26	1Y-24311000120	1		O-RING
27	1Y.12993013201	1		GASKET
28	1Y.12993311310	1		GASKET
29	1Y.12990712110	1		GASKET
30	1Y.22190120002	1		SEALING RING
31	1Y.11912977020	1		GASKET
32	1Y.12185077021	1		GASKET
33	1Y.12990013251	1		GASKET
34	1Y.22190080002	1		WASHER
35	1Y.12992713810	1		GASKET
36	1Y.12992713910	1		GASKET
37	1Y.12992713920	1		GASKET
38	1Y.12390759550	1		CLAMP
39	1Y.12990049870	1		GASKET
40	1Y.12185049550	1		GASKET

Document valid only for consultation

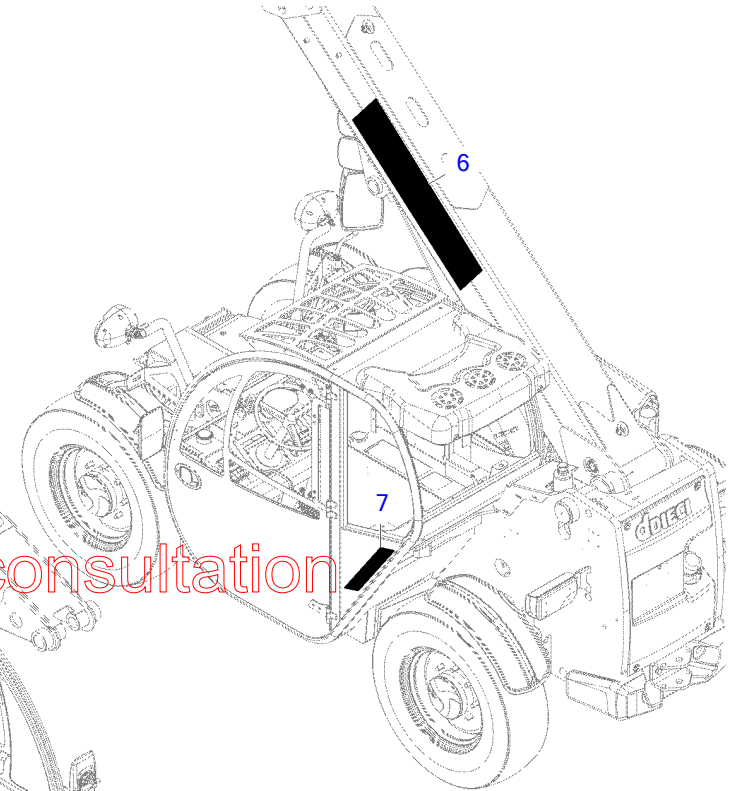
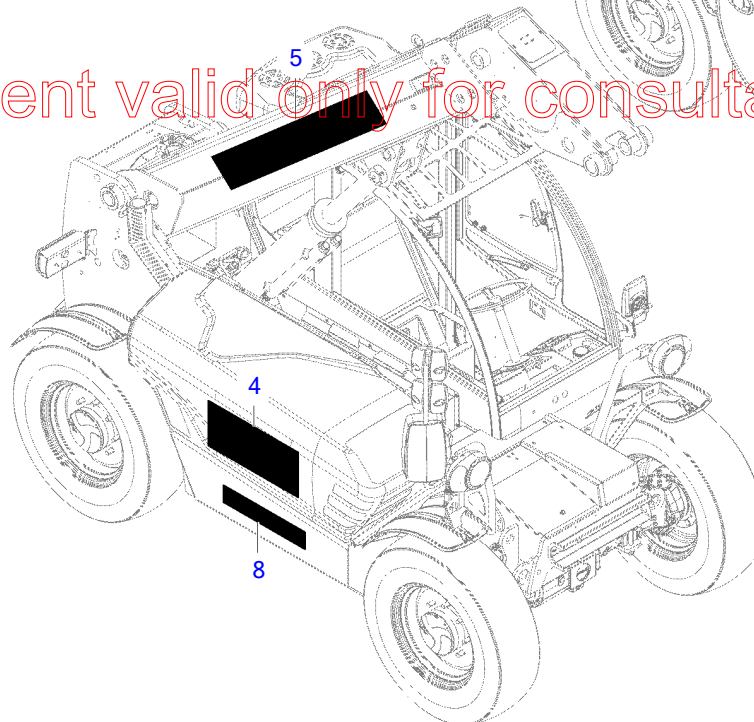
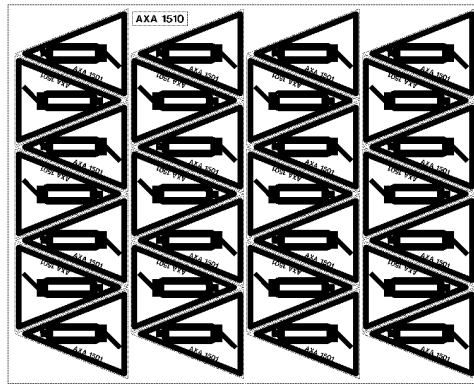
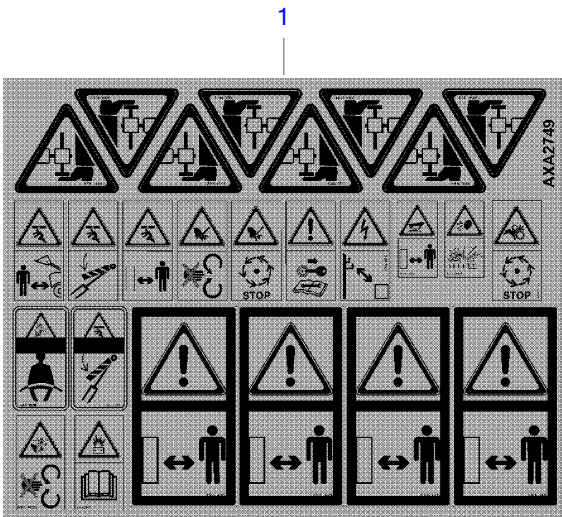


POS.	CODE	Q.TY	UNIT	DESCRIPTION
41	1Y.12185049540	1		GASKET
42	1Y.23414080000	1		GASKET
43	1Y.12446544950	1		GASKET
44	1Y.12990042020	1		GASKET

Document valid only for consultation

DESCRIPTION	REFERENCE	PAGE
STICKERS KIT	G0-00010_00	78

Document valid only for consultation



Document valid only for consultation



STICKERS KIT

Reference: g0-00010_00

POS.	CODE	Q.TY	UNIT	DESCRIPTION
1	AXA2749	1		DANGER STICKERS
2	AXA2750	1		INSTRUCTION STICKERS
3	AXA1510	1		LUBRICATORS STICKERS
4	AXA2395	1		"DIECI" HOOD STICKER
5	AXA2299	1		"DIECI" STICKER (82,5X19,1 cm)
6	AXA2299	1		"DIECI" STICKER (82,5X19,1 cm)
7	AXA2397	1		"APOLLO 25.6"STICKER
8	AXA2396	1		"APOLLO 25.6"STICKER

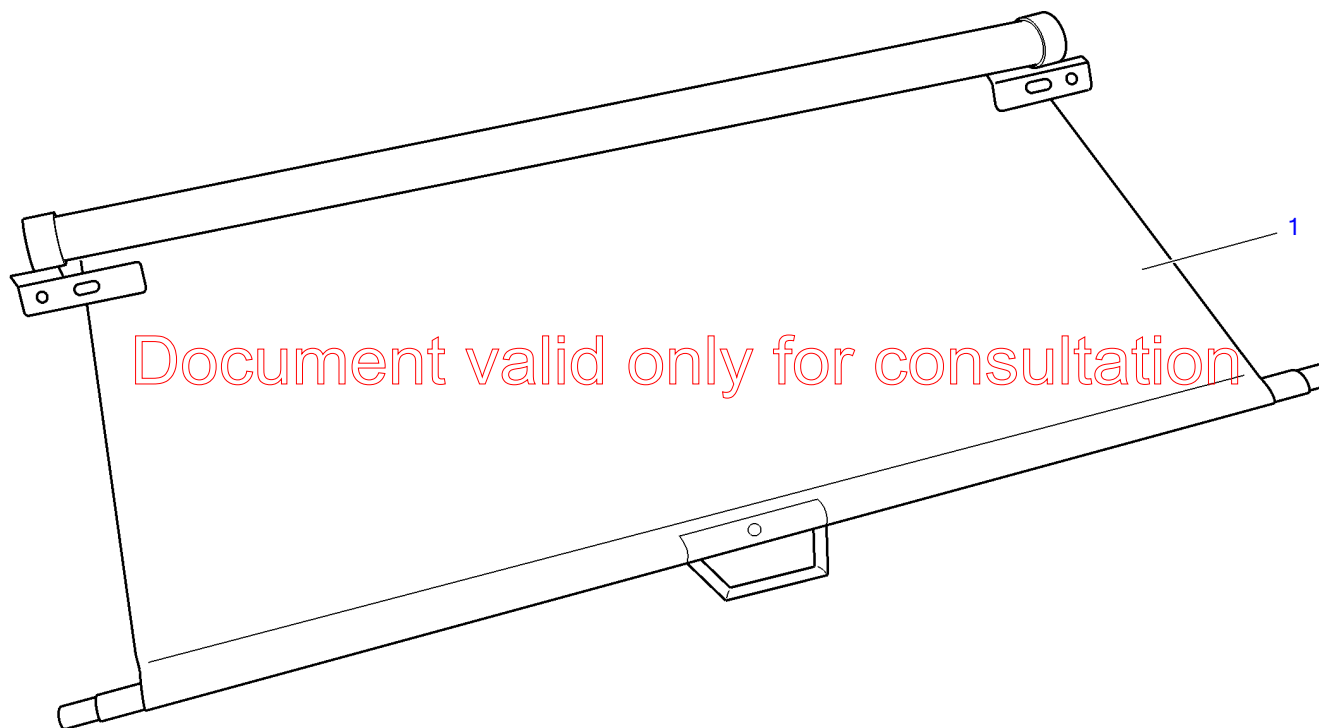
Document valid only for consultation

DESCRIPTION	REFERENCE	PAGE
CAB	M0-00000_00	80
HEADLIGHTS AND ELECTRICAL COMPONENTS	M1-00000_00	89
HYDRAULIC SYSTEM	M2-00000_00	95
ELECTRICAL SYSTEM	M3-00000_00	104
EQUIPMENT	M4-00000_00	108
TRANSMISSION	M6-00000_00	113
ENGINE	M8-00000_00	115
BOOM	M9-00000_00	119

Document valid only for consultation

DESCRIPTION	REFERENCE	PAGE
SUN SCREEN	M0-00010_00	81
RADIO WITH CD PLAYER (EID4586)	M0-00020_00	82
ANTI-THEFT IMMOBILIZER (EID5679)	M0-00030_00	83
AIR CONDITIONING (EIX0077)	M0-00040_00	84
AIR CONDITIONING (EIX0077)	M0-00050_00	85
AIR CONDITIONING (EIX0077)	M0-00060_00	86
AIR CONDITIONING (EIX0077)	M0-00070_00	87
CAB FRONT GLASS PROTECTION (EID4662)	M0-00080_00	88

Document valid only for consultation



Document valid only for consultation

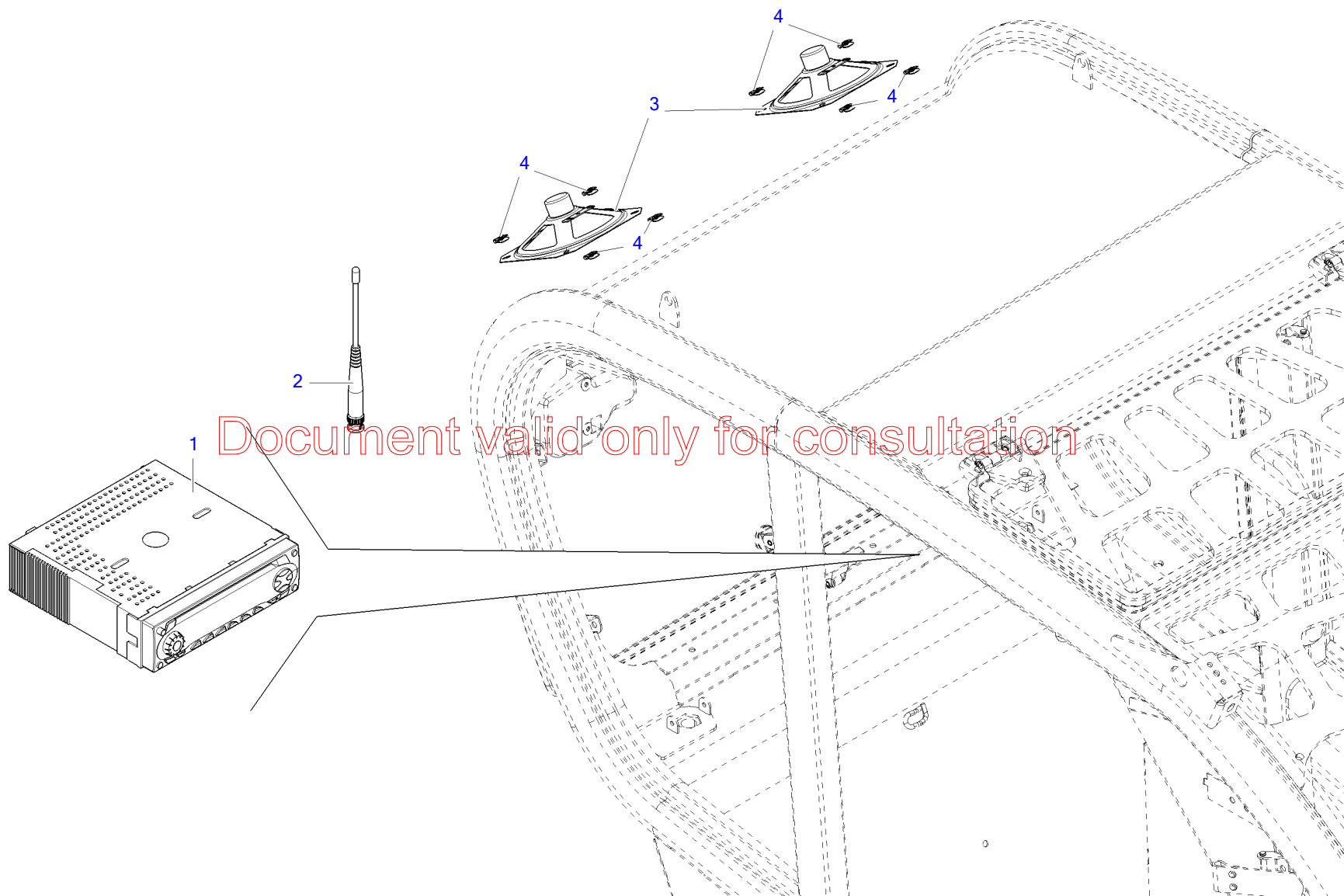


SUN SCREEN

Reference: m0-00010_00

POS.	CODE	Q.TY	UNIT	DESCRIPTION
1	BSC0087	1		SUN SCREEN

Document valid only for consultation



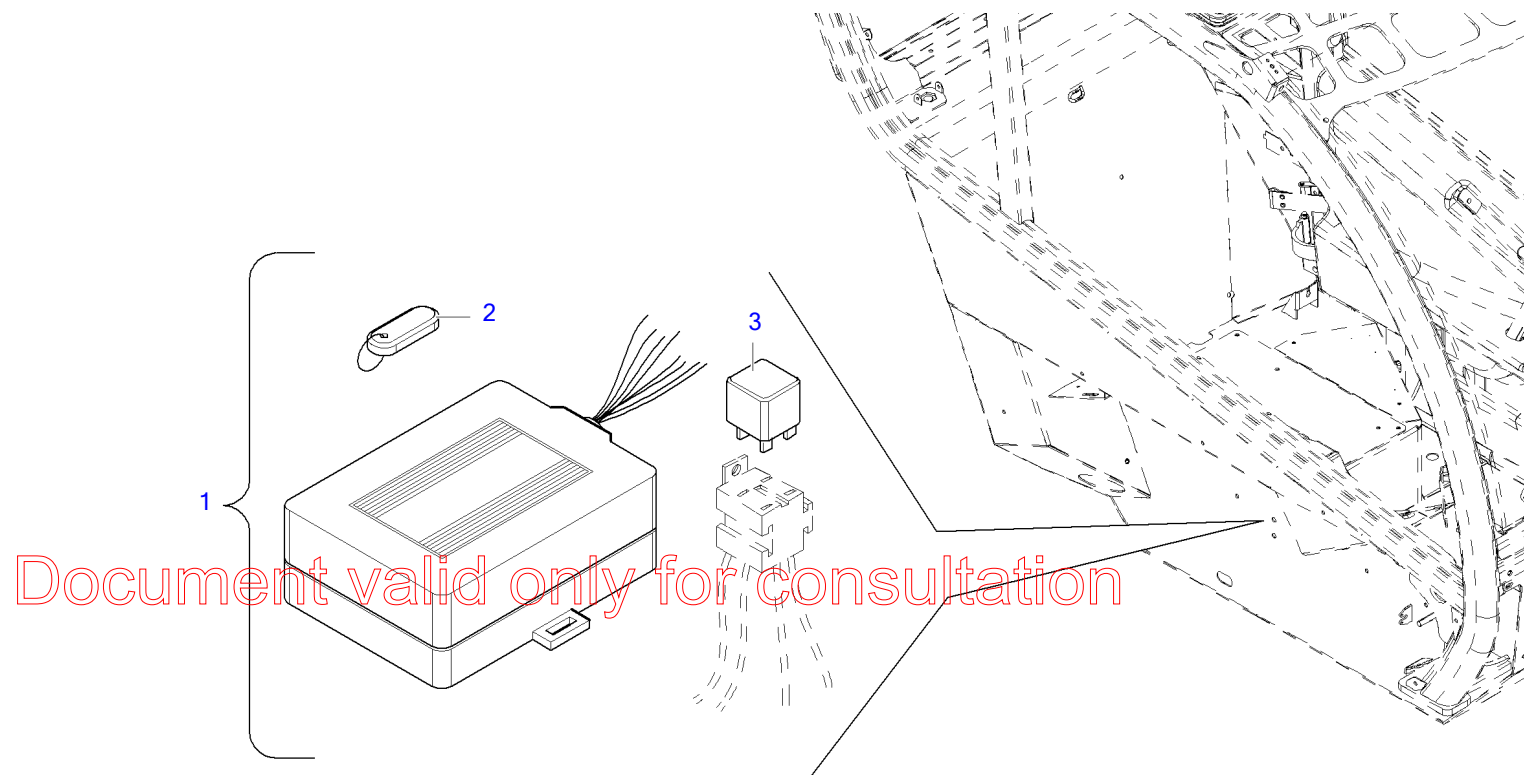


RADIO WITH CD PLAYER (EID4586)

Reference: m0-00020_00

POS.	CODE	Q.TY	UNIT	DESCRIPTION
1	BEF4057	1		RADIO
2	BEF4065	1		ANTENNA
3	BEF4070	1		PAIR OF SPEAKERS
4	BAF1008	1		PLATE

Document valid only for consultation



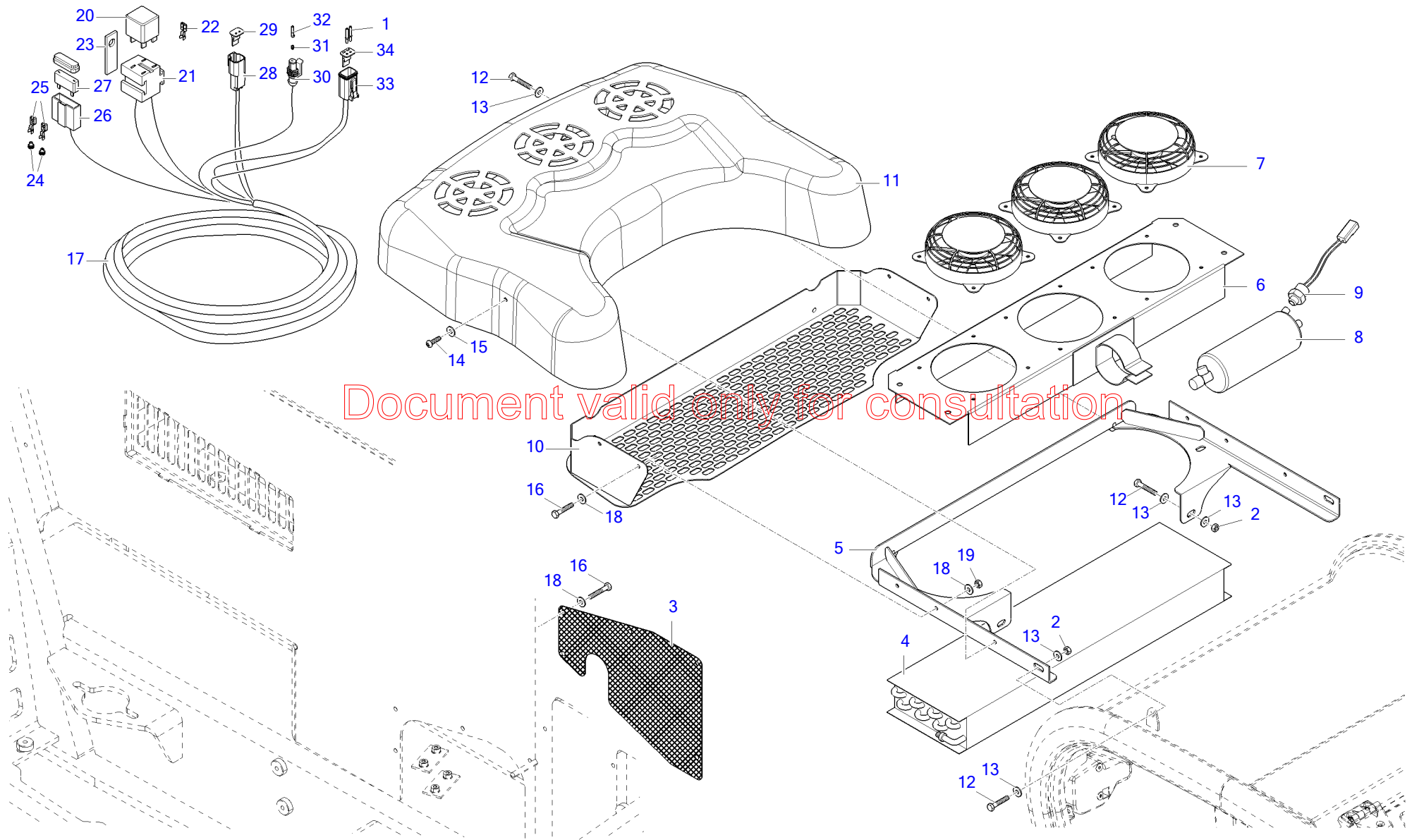


ANTI-THEFT IMMOBILIZER (EID5679)

Reference: m0-00030_00

POS.	CODE	Q.TY	UNIT	DESCRIPTION
1	BEF4086	1		IMMOBILIZER
2	BEF4089	1		KEY
3	BEG2155	1		RELAY

Document valid only for consultation



M0263_00

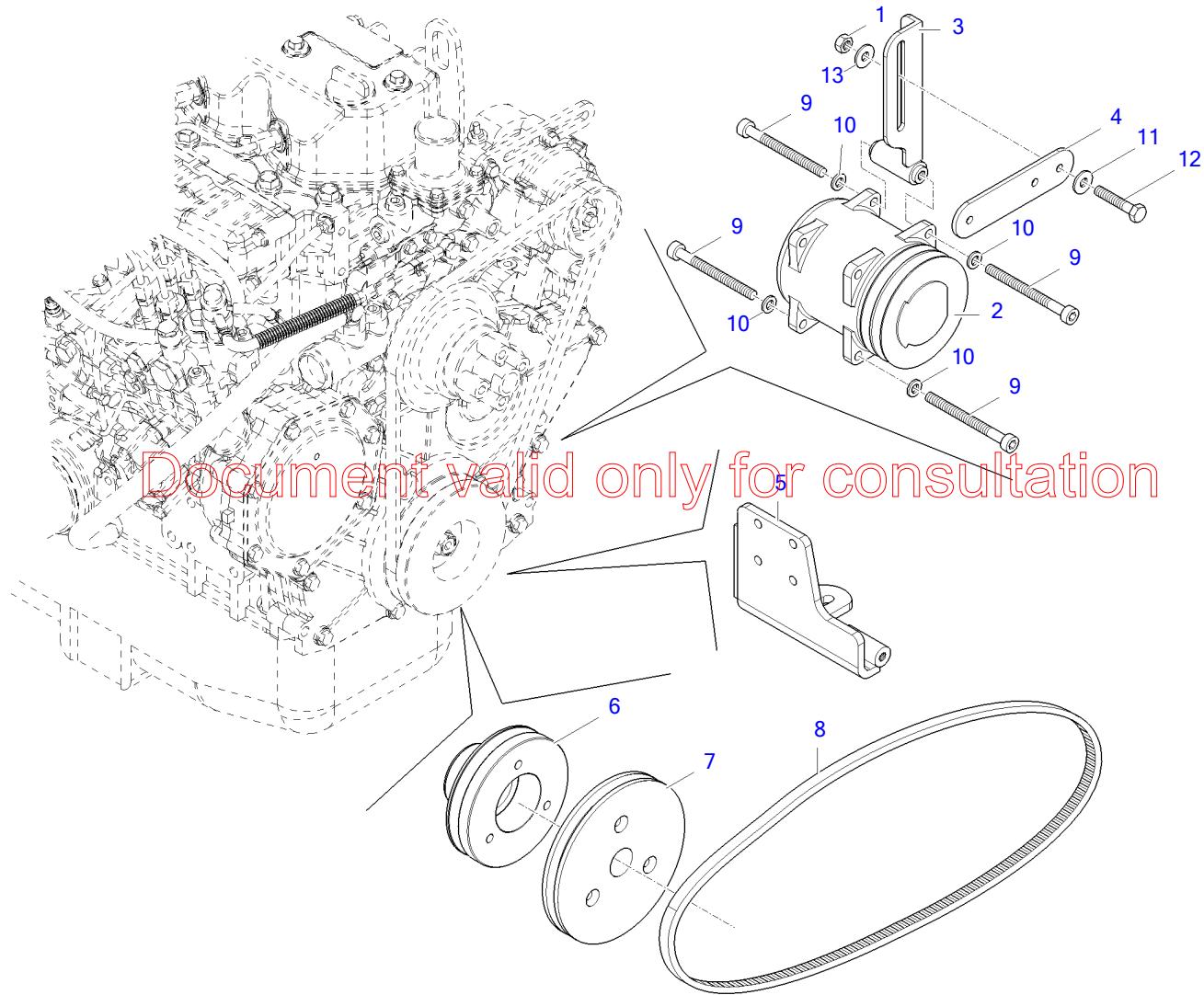


AIR CONDITIONING (EIX0077)

Reference: m0-00040_00

POS.	CODE	Q.TY	UNIT	DESCRIPTION
1	4C.120139	1		CONTACT
2	BAG4117	1		NUT
3	CLB0533/0G	1		NET
4	4M.022009	1		CONDENSER
5	BCN9946/0D2	1		SUPPORT
6	4M.031010DIE	1		CONVEYOR
7	4M.90050160	1		ELECTRIC FAN
8	4M.017006	1		FILTER
9	4M.0430032DIE	1		LEVEL INDICATOR PRESSURE
10	BCN9947/0D2	1		REAR GRILL
11	BSM3057/0C	1		COVER
12	BAA7202	1		SCREW
13	BAL5112	1		WASHER
14	BAE1250	1		SCREW
15	BAL5108	1		WASHER
16	BAA7152	1		SCREW
17	BEK7026/LE	1		ELECTRIC LINE
18	BAL5110	1		WASHER
19	BAG4116	1		NUT
20	BEP0115	1		RELAY
21	BEQ8020	1		CONNECTOR
22	4C.120082	1		CONTACT
23	4C.1C020349	1		BRACKET
24	4C.118159	1		RUBBER PAD
25	4C.120030	1		TERMINAL
26	4C.113634	1		FUSE HOLDER
27	BEG2095	1		FUSE (30A)
28	4C.125402	1		CONNECTOR
29	4C.125403	1		LOCKING PLATE
30	BEQ8146	1		CONNECTOR
31	BEQ8147	1		RUBBER PAD
32	BEQ8148	1		TERMINAL
33	4C.125804	1		CONNECTOR
34	4C.125805	1		LOCKING PLATE

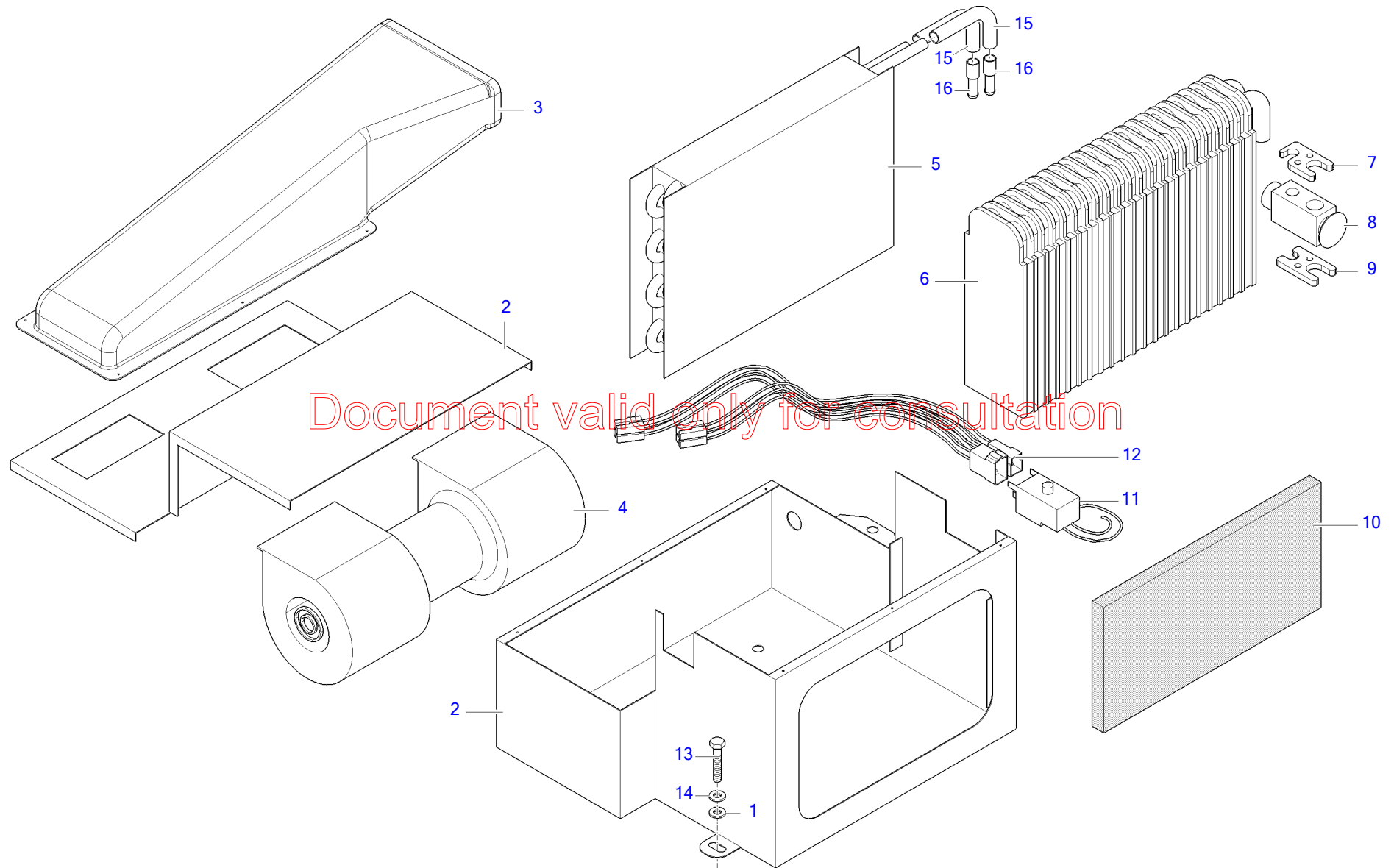
Document valid only for consultation





POS.	CODE	Q.TY	UNIT	DESCRIPTION
1	BAG4117	1		NUT
2	BFD0103	1		COMPRESSOR
3	BCN9929/CL	1		TIE ROD
4	CVC5920/CL	1		BRACKET
5	BCN9928/CL	1		SUPPORT
6	1Y.12990721660/F	1		PULLEY
7	BVI5119/F	1		PULLEY
8	BVI2117	1		BELT
9	BAB5254	1		SCREW
10	BAL3248	1		WASHER
11	BAL5113	1		WASHER
12	BAA7203	1		SCREW
13	BAL5112	1		WASHER

Document valid only for consultation



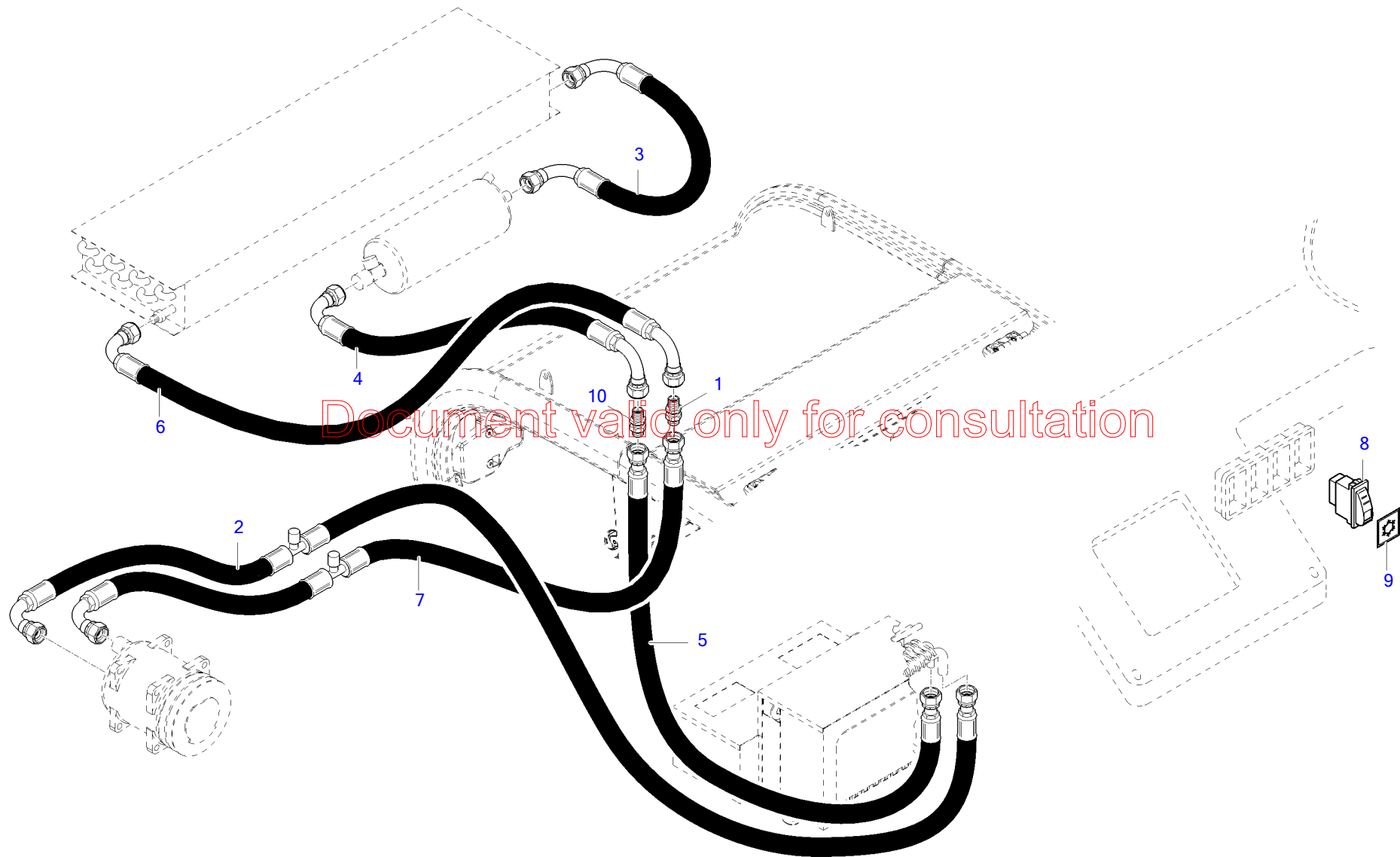


AIR CONDITIONING (EIX0077)

Reference: m0-00060_00

POS.	CODE	Q.TY	UNIT	DESCRIPTION
1	BAL5112	1		WASHER
2	4M.030027DIE	1		CASING
3	4M.032075DIE	1		CONVEYOR
4	4M.054008	1		MOTOR
5	4M.051005	1		HEATING RADIATOR
6	4M.052016	1		EVAPORATOR
7	4M.002048	1		UPPER BRACKET
8	4M.058004	1		VALVE
9	4M.002049	1		LOWER BRACKET
10	4M.G02070005	1		FILTER
11	4M.068004	1		THERMOSTAT
12	4M.028037DIE	1		WIRING
13	BAA7202	1		SCREW
14	BAL2251	1		WASHER
15	4M.007009	1		WATER SLEEVE
16	4M.007002	1		FITTING

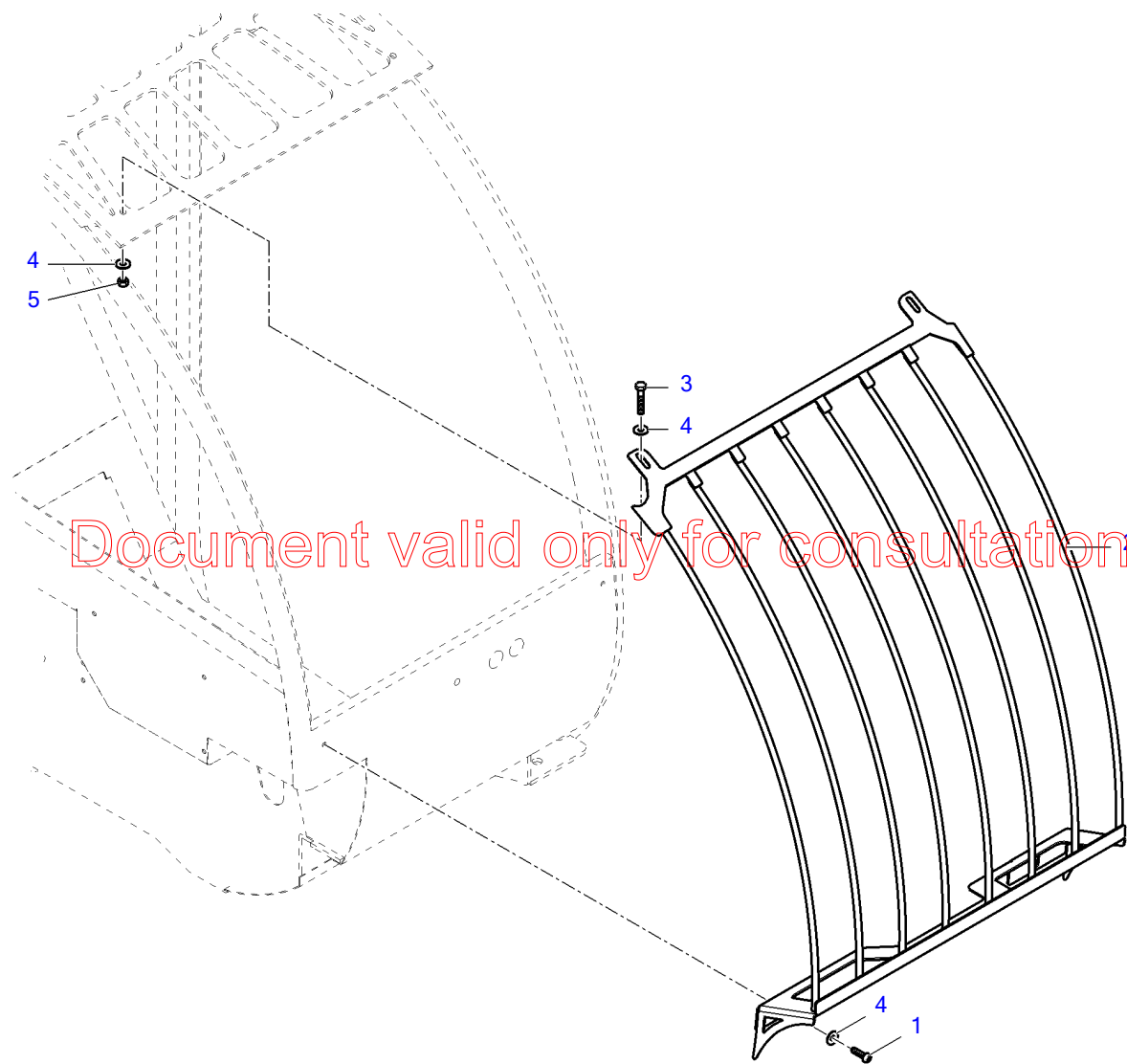
Document valid only for consultation





POS.	CODE	Q.TY	UNIT	DESCRIPTION
1	4M.808006	1		FITTING
2	4M.810DIE33	1		PIPE
3	4M.806DIE40	1		PIPE
4	4M.806DIE42	1		PIPE
5	4M.806DIE41	1		PIPE
6	4M.808DIE28	1		PIPE
7	4M.808DIE29	1		PIPE
8	4C.106AA008	1		SWITCH
9	4C.77562	1		INDICATOR GLASS
10	4M.806006	1		FITTING

Document valid only for consultation





CAB FRONT GLASS PROTECTION (EID4662)

Reference: m0-00080_00

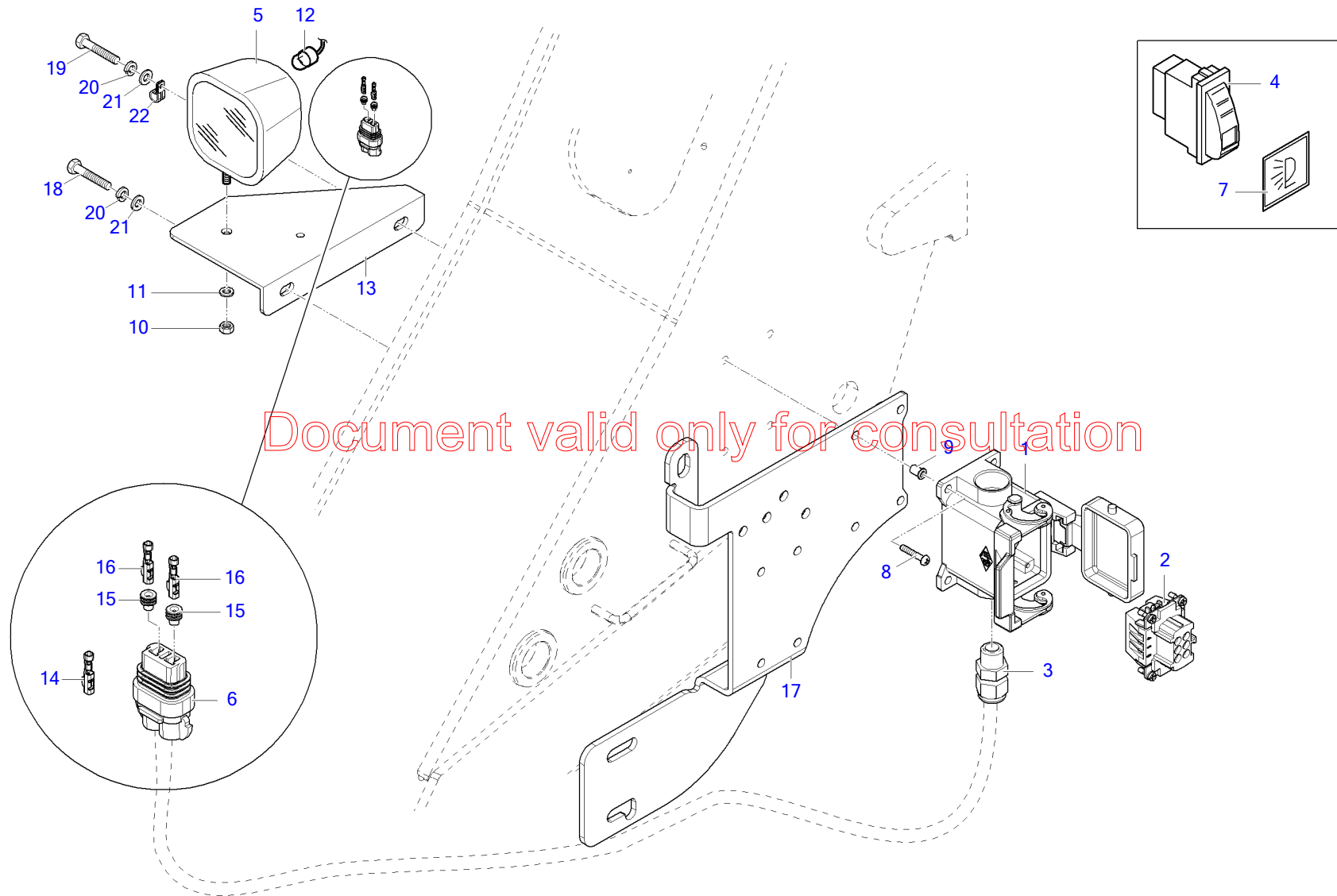
POS.	CODE	Q.TY	UNIT	DESCRIPTION
1	BAE2015	1		SCREW
2	BCN9934/0G	1		PROTECTIVE GRILL
3	BAA7255	1		SCREW
4	BAL5115	1		WASHER
5	BAG4118	1		NUT

Document valid only for consultation



DESCRIPTION	REFERENCE	PAGE
LIGHT ON BOOM HEAD (EID4376)	M1-00010_00	90
FRONT DOUBLE-REFLECTOR LIGHT ON TOP OF THE CAB (BCG3260)	M1-00020_00	91
REAR DOUBLE-REFLECTOR LIGHT ON TOP OF THE CAB (BCG3261)	M1-00030_00	92
FRONT LIGHT ON TOP OF THE CAB (BCG3258)	M1-00040_00	93
REAR ADJUSTABLE LIGHT ON TOP OF THE CAB (BCG3259)	M1-00050_00	94

Document valid only for consultation



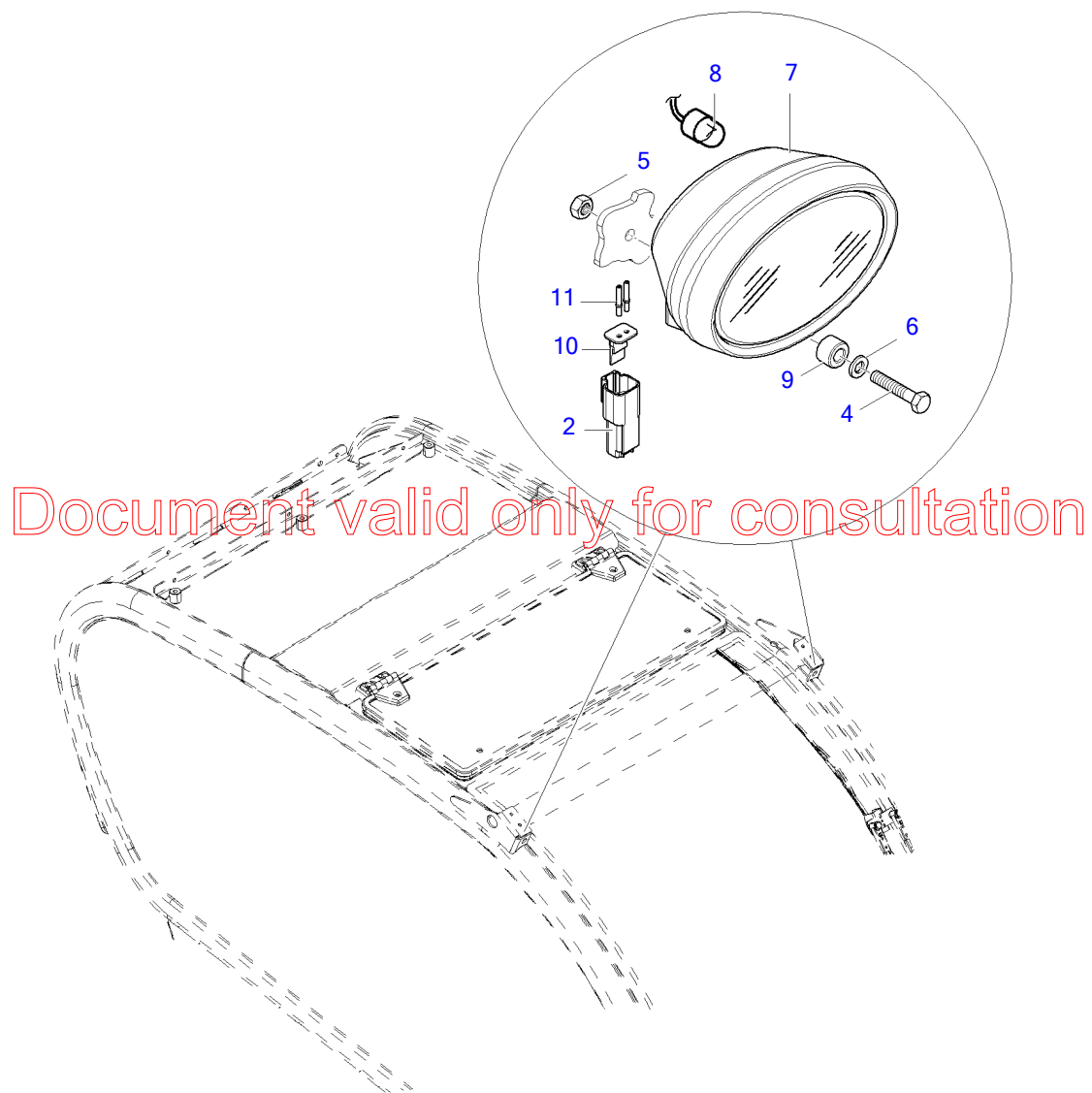
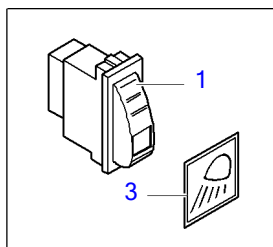


LIGHT ON BOOM HEAD (EID4376)

Reference: m1-00010_00

POS.	CODE	Q.TY	UNIT	DESCRIPTION
1	1P.ILMCHP06LS	1		WALL HOUSING
2	1P.ILMCNF06	1		SOCKET
3	1P.REI53015040	1		CABLE GLAND
4	4C.106AA008	1		SWITCH
5	4C.110967	1		HEADLIGHT
6	4C.125762	1		CONNECTOR
7	4C.77505	1		INDICATOR GLASS
8	BAE1209	1		SCREW
9	BAF2008	1		THREADED INSERT
10	BAG4118	1		NUT
11	BAL5114	1		WASHER
12	BEM4023	1		LAMP
13	CVC5653/CL	1		PLATE
14	4C.120239	1		FEMALE TERMINAL
15	4C.118157	1		RUBBER PAD
16	4C.120305	1		CONTACT
17	CARLA0001618-0G	1		SOCKETS SUPPORT PLATE
18	BAA7200	1		SCREW
19	BAA7202	1		SCREW
20	BAL2206	1		WASHER
21	BAL5113	1		WASHER
22	BWF1304	1		CLAMP

Document valid only for consultation



Document valid only for consultation

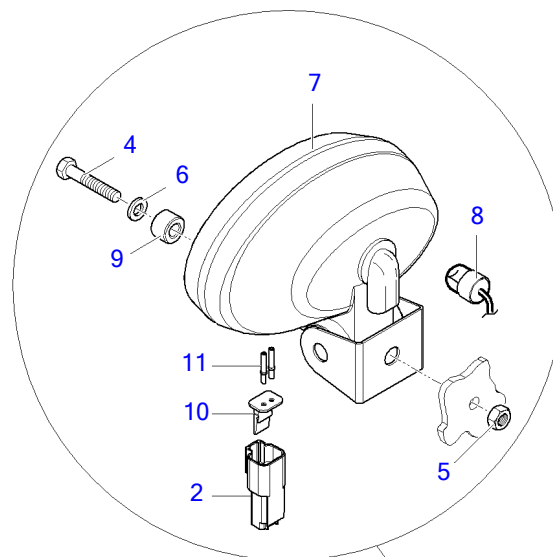
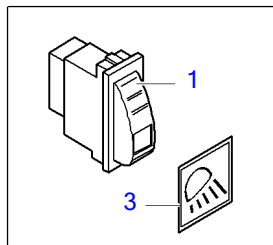


FRONT DOUBLE-REFLECTOR LIGHT ON TOP OF THE CAB (BCG3260)

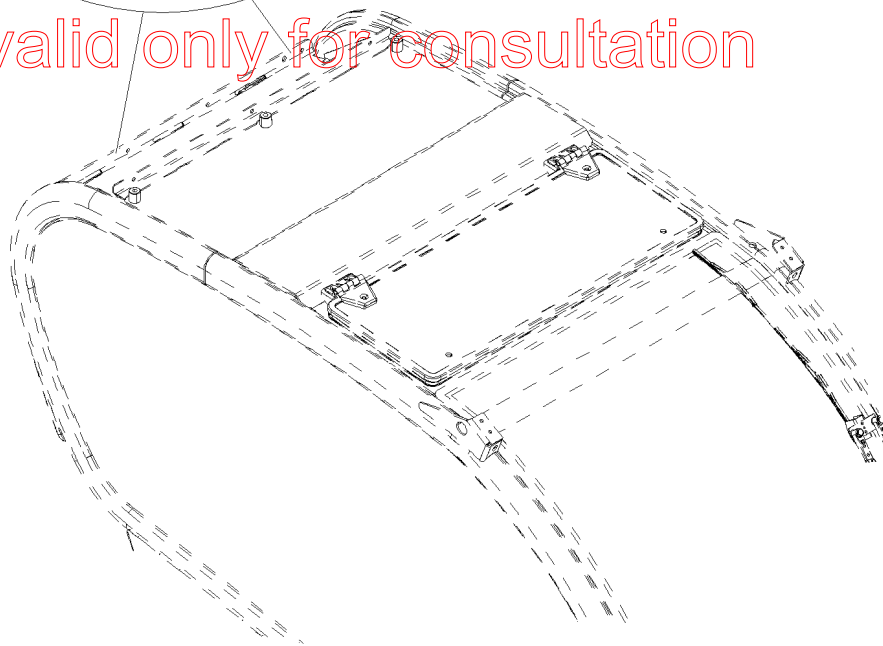
Reference: m1-00020_00

POS.	CODE	Q.TY	UNIT	DESCRIPTION
1	4C.106AA024	1		SWITCH
2	4C.125402	1		CONNECTOR
3	4C.77645	1		INDICATOR GLASS
4	BAA7254	1		SCREW
5	BAG4118	1		NUT
6	BAL5114	1		WASHER
7	BEM2104	1		HEADLIGHT
8	BEM4022	1		LAMP
9	POB3002/CL	1		SPACER
10	4C.125403	1		LOCKING PLATE
11	BEQ8210	1		CONTACT

Document valid only for consultation



Document valid only for consultation



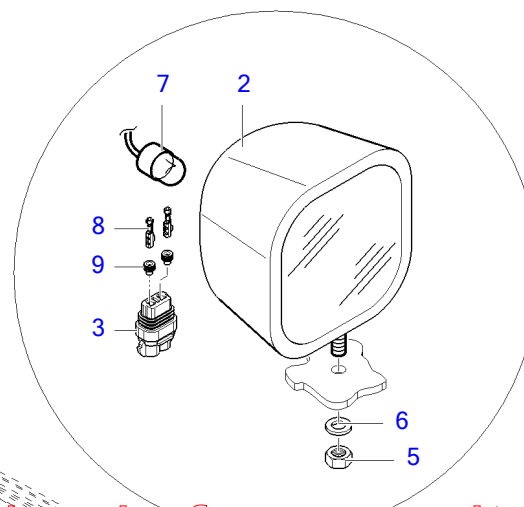
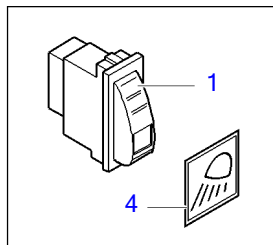


REAR DOUBLE-REFLECTOR LIGHT ON TOP OF THE CAB (BCG3261)

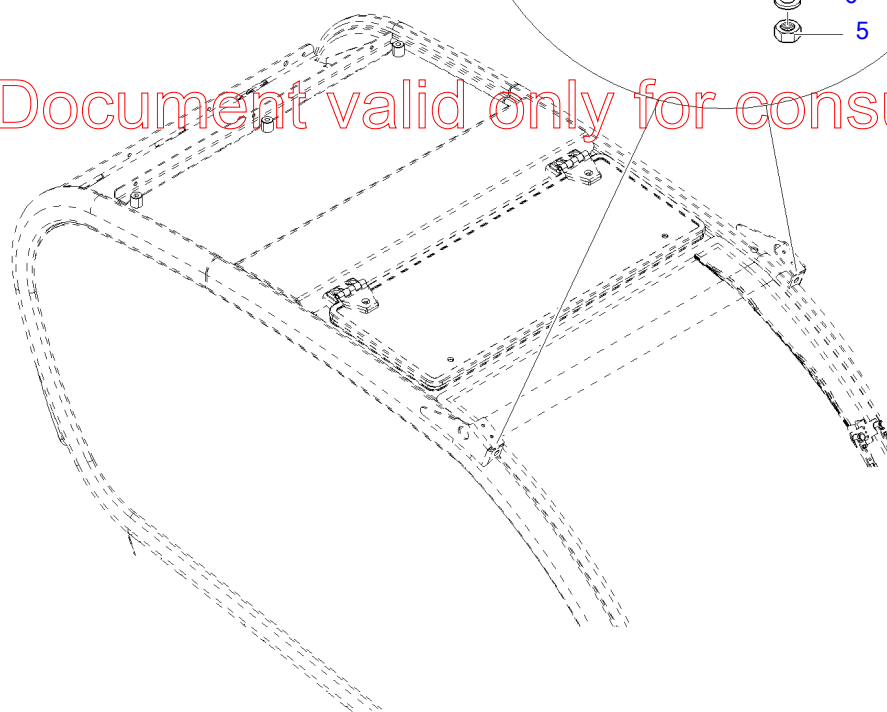
Reference: m1-00030_00

POS.	CODE	Q.TY	UNIT	DESCRIPTION
1	4C.106AA024	1		SWITCH
2	4C.125402	1		CONNECTOR
3	4C.77692	1		INDICATOR GLASS
4	BAA7254	1		SCREW
5	BAG4118	1		NUT
6	BAL5114	1		WASHER
7	BEM2104	1		HEADLIGHT
8	BEM4022	1		LAMP
9	POB3002/CL	1		SPACER
10	4C.125403	1		LOCKING PLATE
11	BEQ8210	1		CONTACT

Document valid only for consultation



Document valid only for consultation



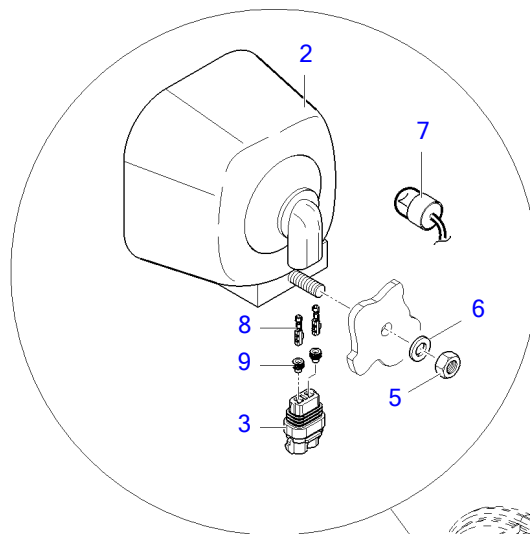
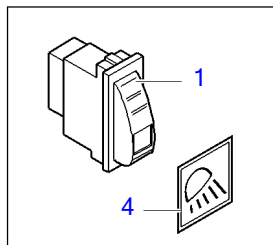


FRONT LIGHT ON TOP OF THE CAB (BCG3258)

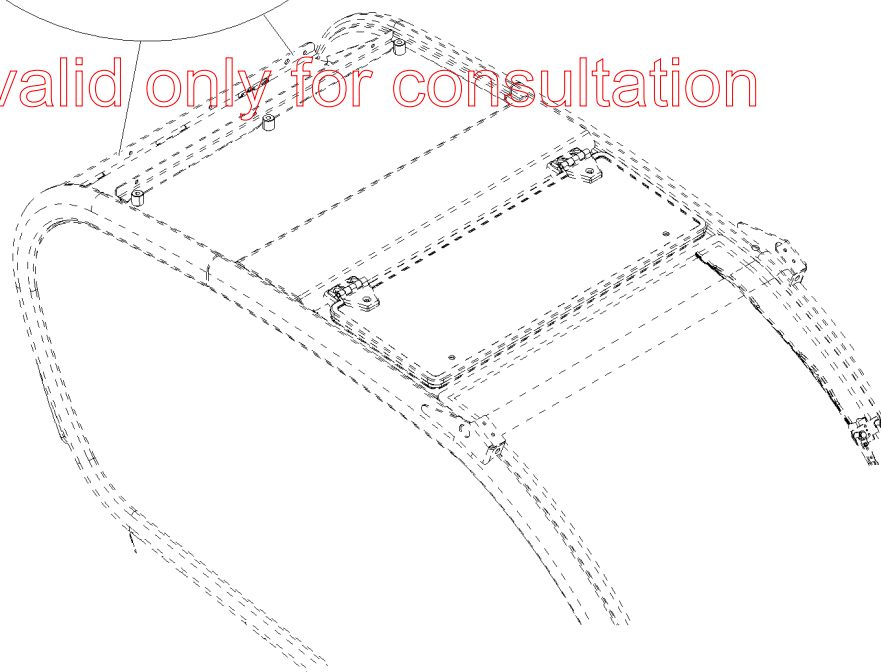
Reference: m1-00040_00

POS.	CODE	Q.TY	UNIT	DESCRIPTION
1	4C.106AA024	1		SWITCH
2	4C.110967	1		HEADLIGHT
3	4C.125762	1		CONNECTOR
4	4C.77645	1		INDICATOR GLASS
5	BAG4118	1		NUT
6	BAL5114	1		WASHER
7	BEM4023	1		LAMP
8	4C.120305	1		CONTACT
9	4C.118157	1		RUBBER PAD

Document valid only for consultation



Document valid only for consultation





REAR ADJUSTABLE LIGHT ON TOP OF THE CAB (BCG3259)

Reference: m1-00050_00

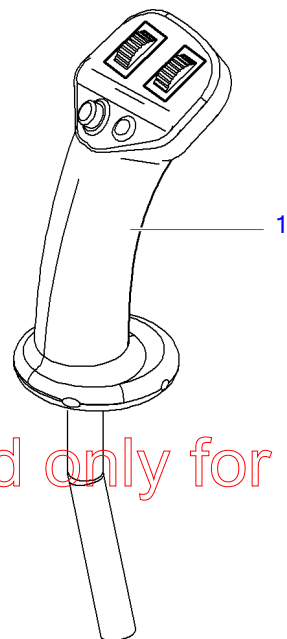
POS.	CODE	Q.TY	UNIT	DESCRIPTION
1	4C.106AA024	1		SWITCH
2	4C.110967	1		HEADLIGHT
3	4C.125762	1		CONNECTOR
4	4C.77692	1		INDICATOR GLASS
5	BAG4118	1		NUT
6	BAL5114	1		WASHER
7	BEM4023	1		LAMP
8	4C.120305	1		CONTACT
9	4C.118157	1		RUBBER PAD

Document valid only for consultation

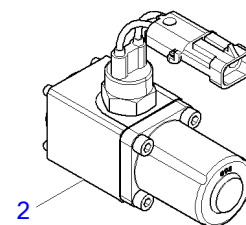
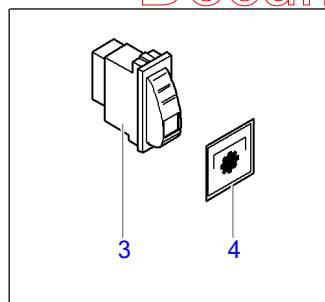


DESCRIPTION	REFERENCE	PAGE
CONTINUOUS OIL FUNCTION ON HYDRAULIC SOCKETS (EID5510)	M2-00010_00	96
SUPPLEMENTARY HYDRAULIC SOCKET WITH ELECTRICAL CONTROL (EID5757)	M2-00020_00	97
HYDRAULIC SOCKET WITH ELECTRICAL CONTROL (EID5756)	M2-00030_00	98
REAR HYDRAULIC SOCKET (EID4673)	M2-00040_00	99
FLOW SHARING SINGLE LEVER HYDRAULIC DISTRIBUTOR (EID5577)	M2-00050_00	100
CONTINUOUS OIL FUNCTION ON HYDRAULIC SOCKETS (EID5699)	M2-00060_00	101
HYDRAULIC CONTROL DISTRIBUTOR-SINGLE JOYSTICK WITH PROPORTIONAL CONTROLS (EID4943)	M2-00070_00	102
HYDRAULIC CONTROL DISTRIBUTOR WITH JOYSTICK 3 IN 1 WITH PROPORTIONAL EXTENSION CONTROL (EID4711)	M2-00080_00	103

Document valid only for consultation



Document valid only for consultation



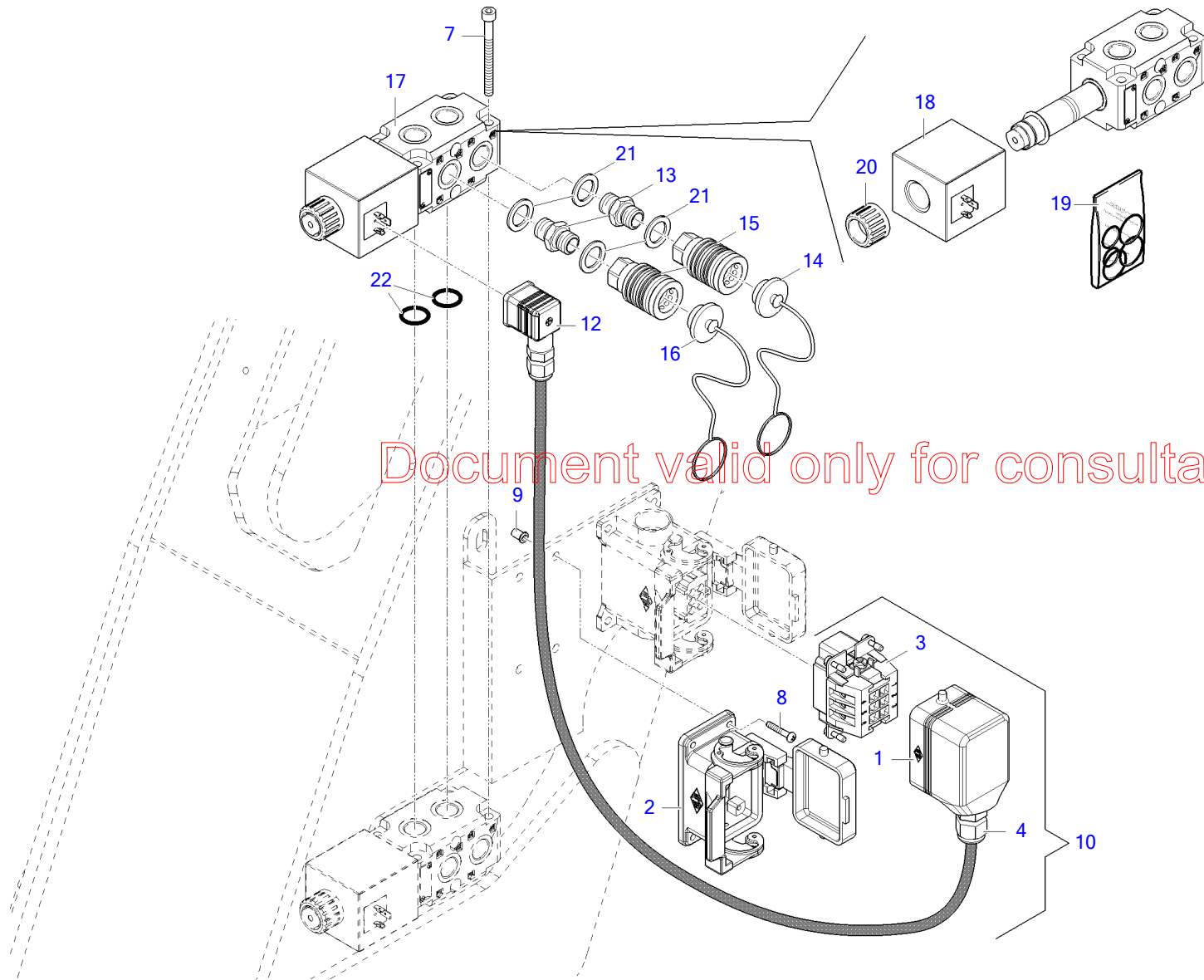


CONTINUOUS OIL FUNCTION ON HYDRAULIC SOCKETS (EID5510)

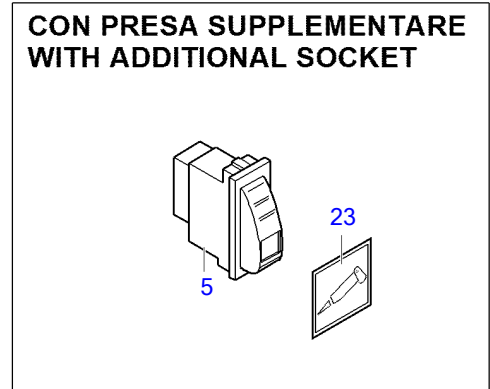
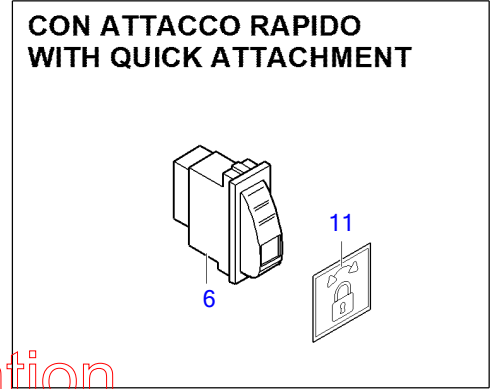
Reference: m2-00010_00

POS.	CODE	Q.TY	UNIT	DESCRIPTION
1	BHB3227	1		JOYSTICK FOR PTO
2	BEP0421	1		SLIDER POSITION KIT
3	4C.106AA024	1		SWITCH
4	4C.77561	1		INDICATOR GLASS

Document valid only for consultation



Document valid only for consultation



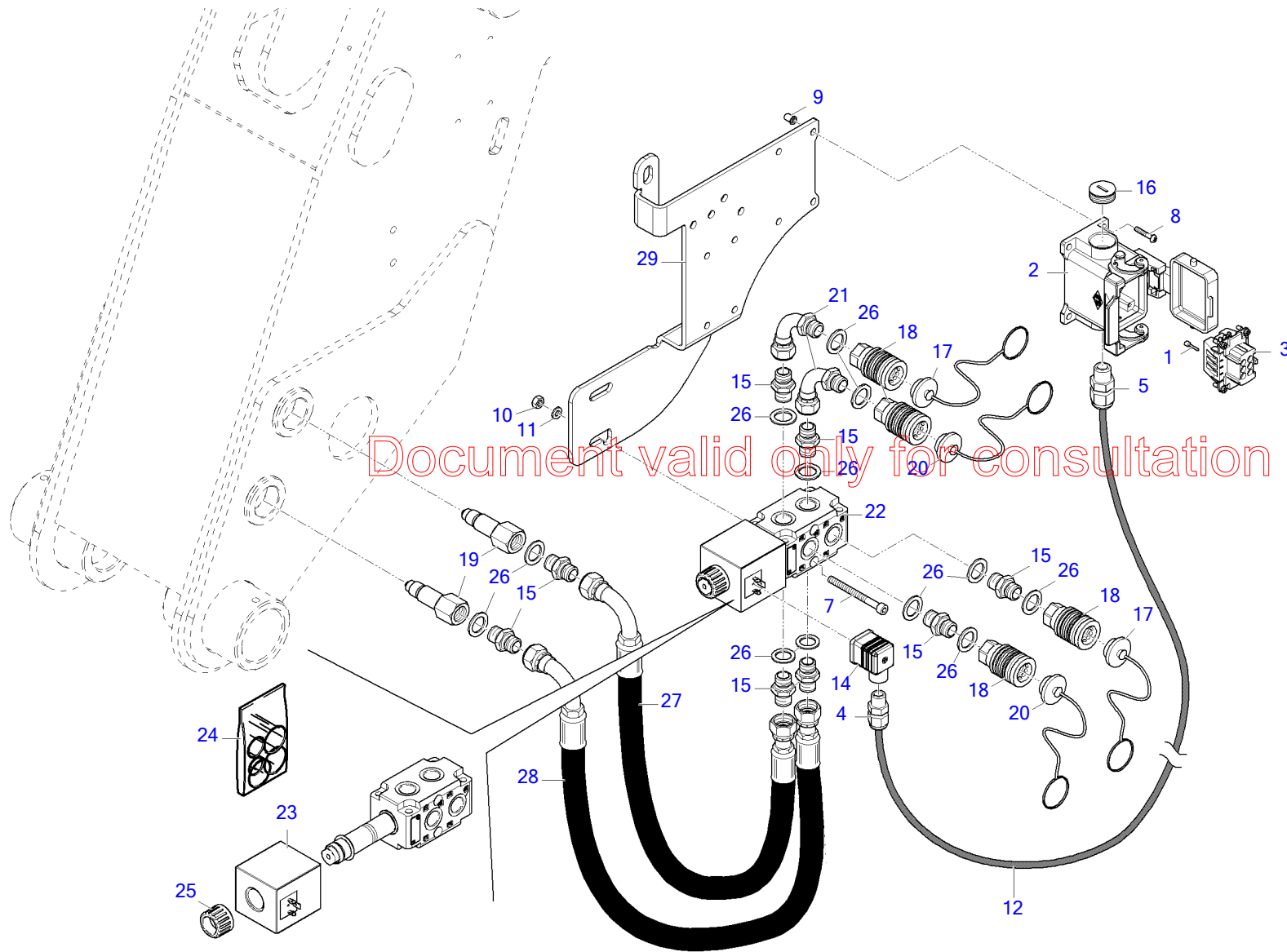


SUPPLEMENTARY HYDRAULIC SOCKET WITH ELECTRICAL CONTROL (EID5757)

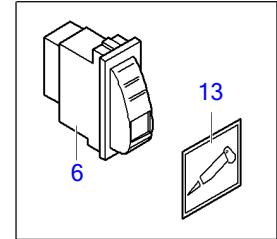
Reference: m2-00020_00

POS.	CODE	Q.TY	UNIT	DESCRIPTION
1	1P.ILMCH006L13	1		MOVABLE HOUSING
2	1P.ILMCHI06LS	1		SOCKET
3	1P.ILMCNM06	1		ELECTRICAL PLUG 6
4	1P.REI53015040	1		CABLE GLAND
5	4C.106AA009	1		SWITCH
6	4C.106AA010	1		SWITCH
7	BAB5214	1		SCREW
8	BAE1250	1		SCREW
9	BAF2009	1		THREADED INSERT
10	BEK6070	1		COMPLETE ELECTRICAL PLUG
11	4C.77772	1		INDICATOR GLASS
12	BEQ8008	1		CONNECTOR
13	BHA0128	1		NIPPLE
14	BHA0853	1		BLUE CAP
15	BHA0859	1		QUICK COUPLING
16	BHA0863	1		RED CAP
17	BHB3162	1		SELECTOR
18	SATKS0000004	1		COIL KIT (INCLUDING OR)
19	BHE1414/LC	1		GASKETS KIT
20	BHE1431/LC	1		RING NUT
21	BHG4730	1		WASHER
22	BVG2322	1		O-RING
23	BEM3080	1		INDICATOR GLASS

Document valid only for consultation

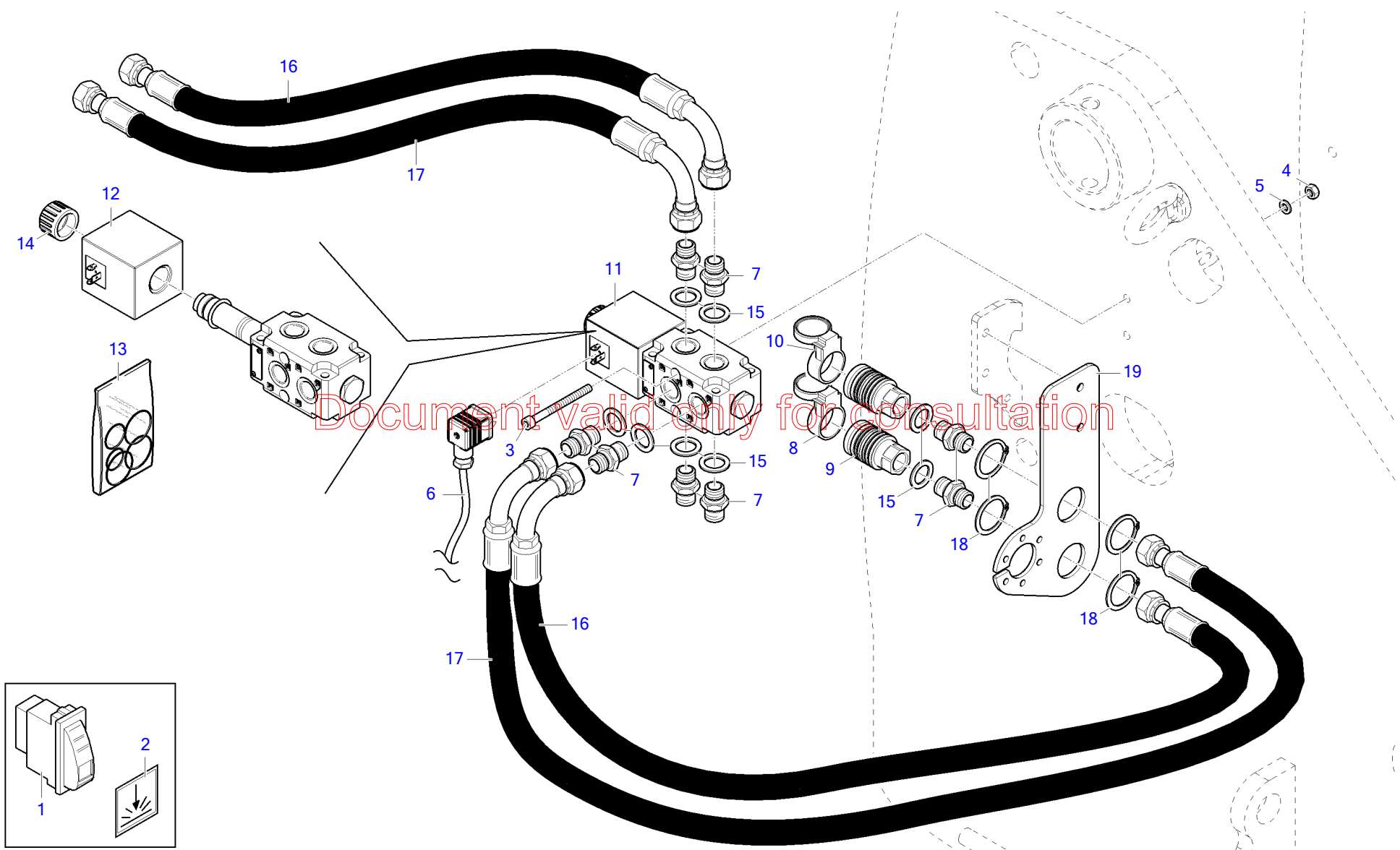


Document valid only for consultation



POS.	CODE	Q.TY	UNIT	DESCRIPTION
1	1P.BM00504	1		CONTACT
2	1P.ILMCHP06LS2	1		WALL HOUSING
3	1P.ILMCNF06	1		SOCKET
4	1P.REI53015030	1		CABLE GLAND
5	1P.REI53015040	1		CABLE GLAND
6	4C.106AA009	1		SWITCH
7	BAB5214	1		SCREW
8	BAE1250	1		SCREW
9	BAF2009	1		THREADED INSERT
10	BAG4117	1		NUT
11	BAL5113	1		WASHER
12	BEF4224	1		ELECTRIC LINE
13	BEM3080	1		INDICATOR GLASS
14	BEQ8008	1		CONNECTOR
15	BHA0128	1		NIPPLE
16	BHA0635	1		PLUG
17	BHA0853	1		BLUE CAP
18	BHA0859	1		QUICK COUPLING
19	BHA0860	1		QUICK COUPLING
20	BHA0863	1		RED CAP
21	BHA1040	1		CURVE FITTING
22	BHB3162	1		SELECTOR
23	SATKS0000004	1		COIL KIT (INCLUDING OR)
24	BHE1414/LC	1		GASKETS KIT
25	BHE1431/LC	1		RING NUT
26	BHG4730	1		WASHER
27	BKU4540	1		PIPE
28	BKU4550	1		PIPE
29	CARLA0001618-0G	1		SOCKETS SUPPORT PLATE

Document valid only for consultation



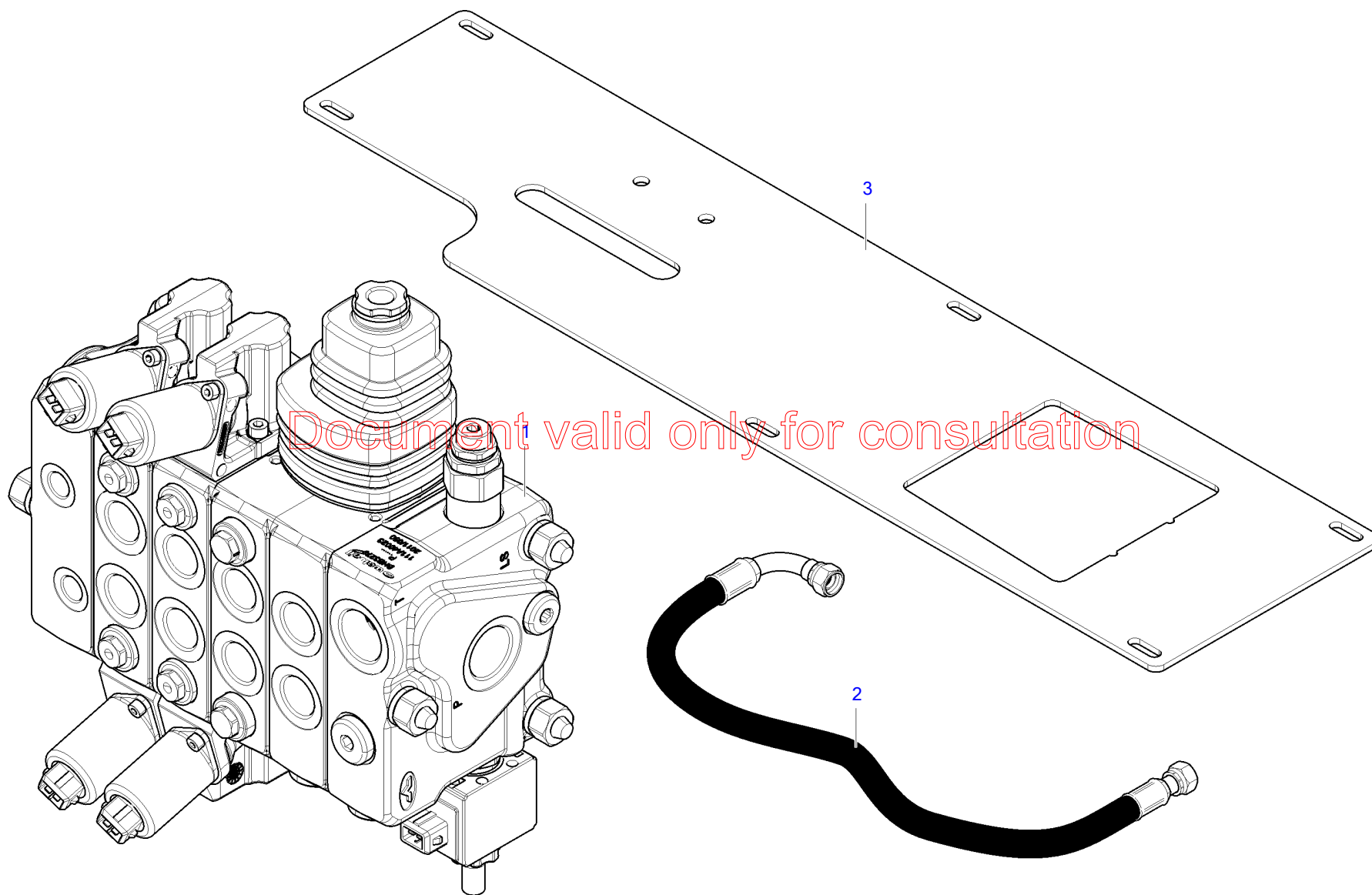


REAR HYDRAULIC SOCKET (EID4673)

Reference: m2-00040_00

POS.	CODE	Q.TY	UNIT	DESCRIPTION
1	4C.106AA024	1		SWITCH
2	4C.77981	1		INDICATOR GLASS
3	BAB5219	1		SCREW
4	BAG4117	1		NUT
5	BAL5112	1		WASHER
6	BEF4225	1		ELECTRIC LINE
7	BHA0120	1		NIPPLE
8	BHA0856	1		BLUE CAP
9	BHA0859	1		QUICK COUPLING
10	BHA0861	1		RED CAP
11	BHB3162	1		SELECTOR
12	SATKS0000004	1		COIL KIT (INCLUDING OR)
13	BHE1414/LC	1		GASKETS KIT
14	BHE1431/LC	1		RING NUT
15	BHG4730	1		WASHER
16	BKP6550	1		PIPE
17	BKP6571	1		PIPE
18	BWQ2129	1		SEEGER
19	CVC6106/0D2	1		SOCKETS SUPPORT PLATE

Document valid only for consultation



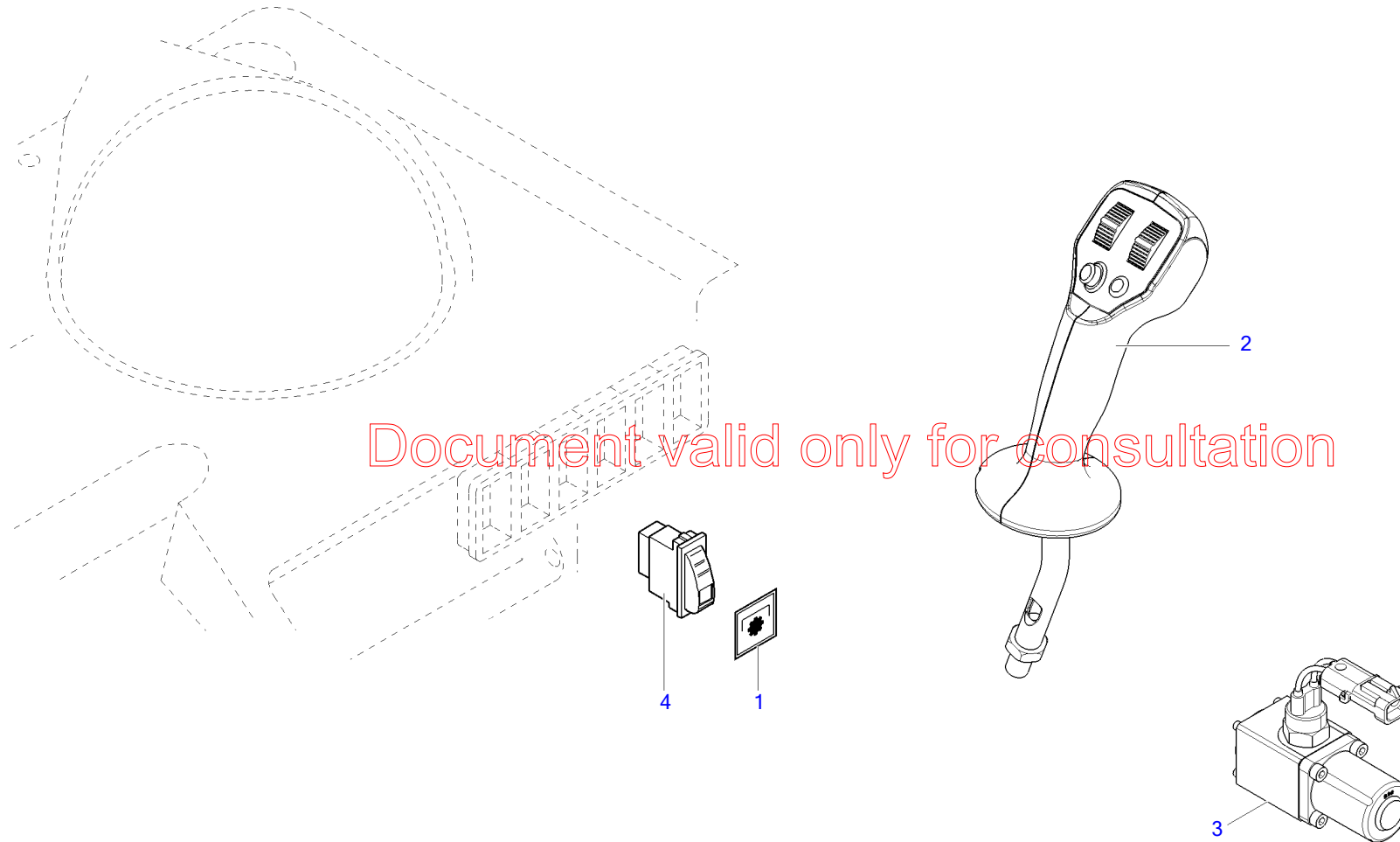


FLOW SHARING SINGLE LEVER HYDRAULIC DISTRIBUTOR (EID5577)

Reference: m2-00050_00

POS.	CODE	Q.TY	UNIT	DESCRIPTION
1	BHB3279	1		COMPLETE DISTRIBUTOR
2	BKF4050	1		PIPE
3	CAR0001630	1		INSTRUMENT PANEL

Document valid only for consultation



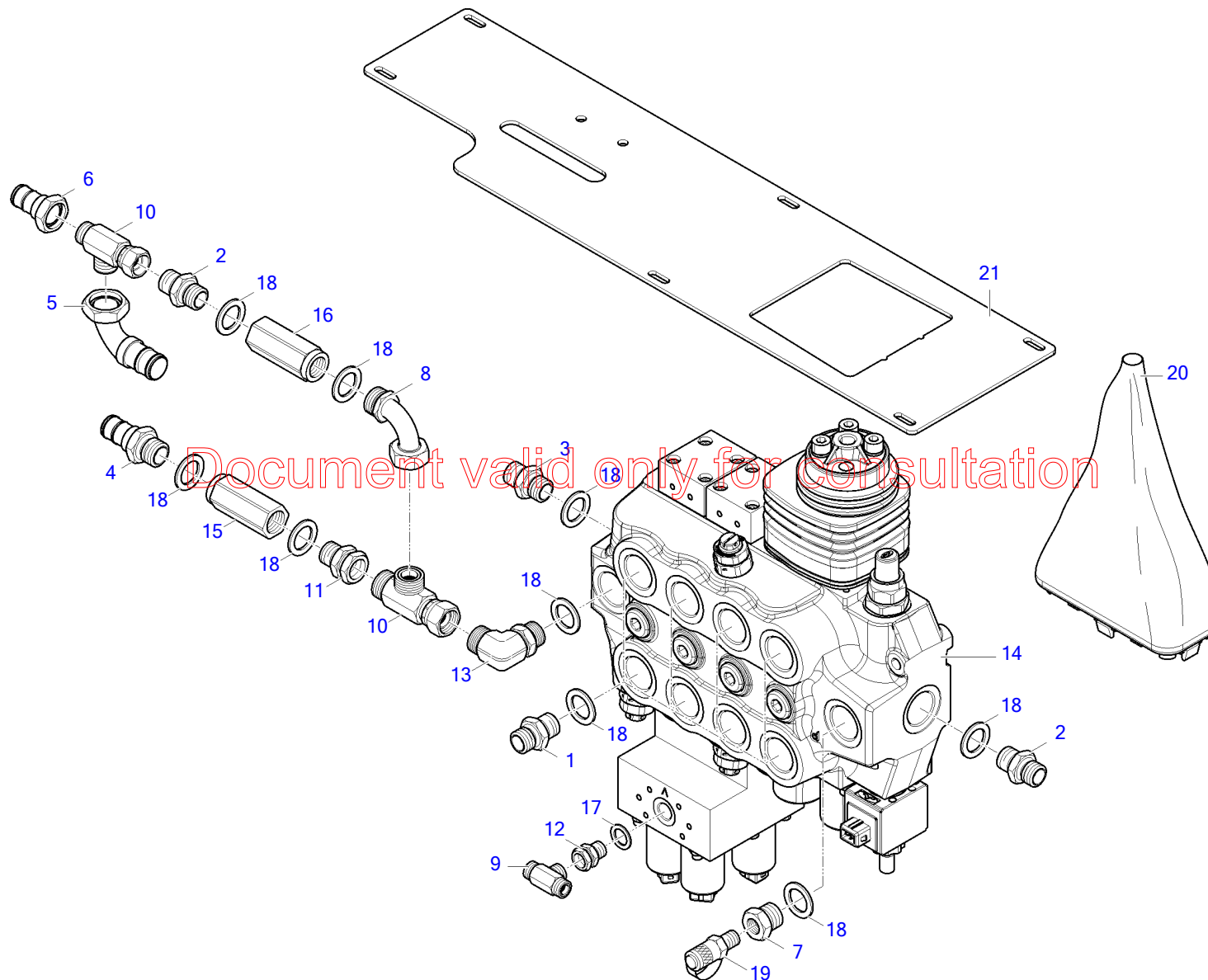


CONTINUOUS OIL FUNCTION ON HYDRAULIC SOCKETS (EID5699)

Reference: m2-00060_00

POS.	CODE	Q.TY	UNIT	DESCRIPTION
1	4C.77561	1		INDICATOR GLASS
2	BHB3232	1		JOYSTICK
3	BEP0430	1		SLIDER POSITION KIT
4	4C.106AA024	1		SWITCH

Document valid only for consultation



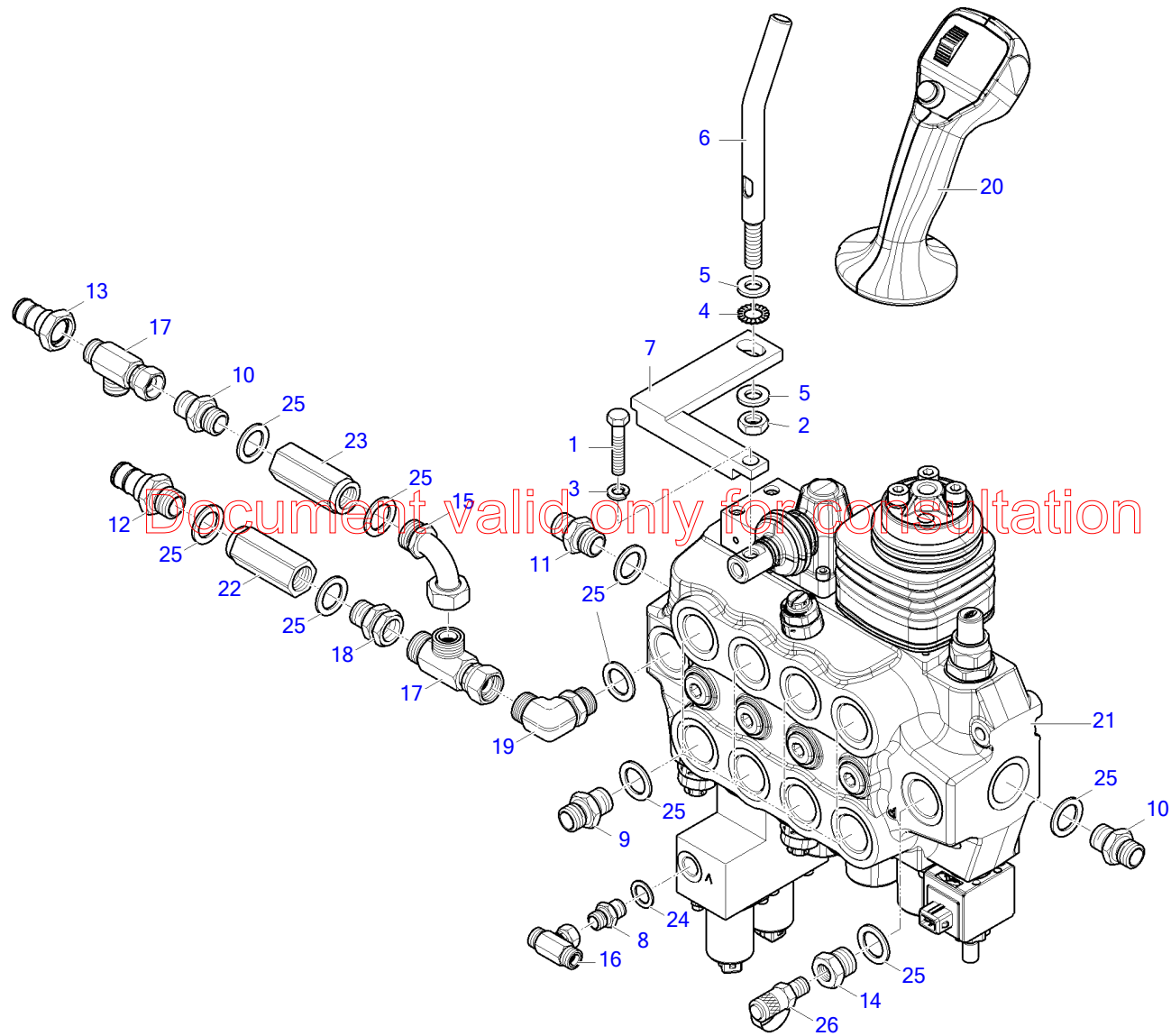


HYDRAULIC CONTROL DISTRIBUTOR-SINGLE JOYSTICK WITH PROPORTIONAL CONTROLS (EID4943)

Reference: m2-00070_00

POS.	CODE	Q.TY	UNIT	DESCRIPTION
1	BHA0129	1		NIPPLE
2	BHA0132	1		NIPPLE
3	BHA0134	1		NIPPLE
4	BHA0240	1		HOSE HOLDER NIPPLE
5	BHA0291	1		HOSE SUPPORT CURVE
6	BHA0374	1		HOSE HOLDER NIPPLE
7	BHA0636/F	1		PLUG
8	BHA1041	1		CURVE FITTING
9	BHA1503	1		FITTING
10	BHA1518	1		3-WAY FITTING
11	BHA1805	1		SWIVEL NIPPLE
12	BHA1806	1		SWIVEL NIPPLE
13	BHA1901	1		CURVE FITTING
14	BHB3277	1		COMPLETE DISTRIBUTOR
15	BHE1134	1		NON-RETURN VALVE
16	BHE1138	1		NON-RETURN VALVE
17	BHG4723	1		WASHER
18	BHG4731	1		WASHER
19	BKA0010	1		MINIJACK
20	BWD1122	1		COWLING
21	CAR0001630	1		INSTRUMENT PANEL

Document valid only for consultation





**HYDRAULIC CONTROL DISTRIBUTOR WITH JOYSTICK 3 IN 1 WITH
PROPORTIONAL EXTENSION CONTROL (EID4711)**

Reference: m2-00080_00

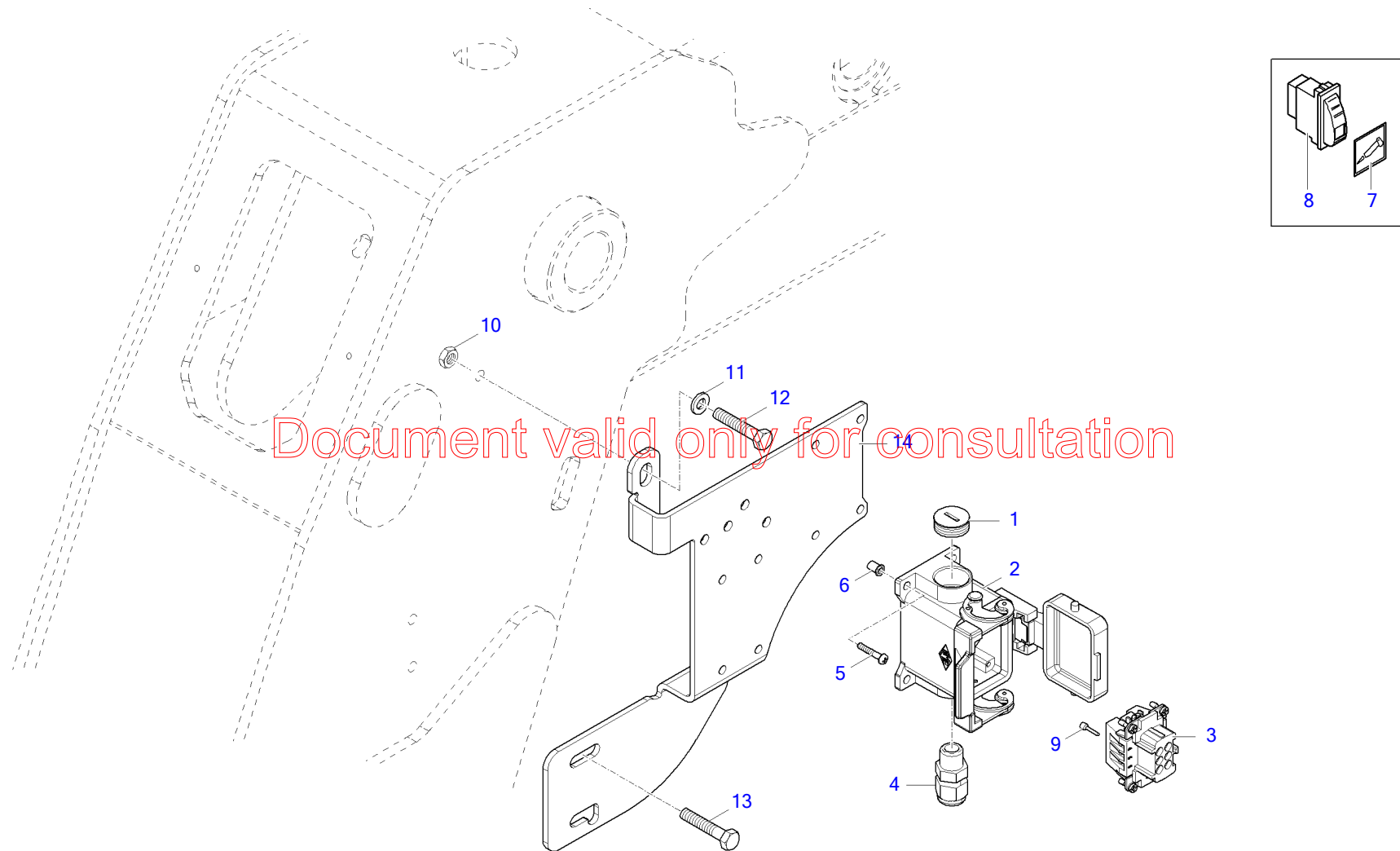
POS.	CODE	Q.TY	UNIT	DESCRIPTION
1	BAA7254	1		SCREW
2	BAG3119	1		NUT
3	BAL2252	1		WASHER
4	BAL3230	1		WASHER
5	BAL5116	1		WASHER
6	BCN7669/CL	1		ROD
7	BCN9713	1		RETURN LEVER
8	BHA0101	1		NIPPLE
9	BHA0129	1		NIPPLE
10	BHA0132	1		NIPPLE
11	BHA0134	1		NIPPLE
12	BHA0240	1		HOSE HOLDER NIPPLE
13	BHA0374	1		HOSE HOLDER NIPPLE
14	BHA0636/F	1		PLUG
15	BHA1041	1		CURVE FITTING
16	BHA1499	1		3-WAY FITTING
17	BHA1518	1		3-WAY FITTING
18	BHA1805	1		SWIVEL NIPPLE
19	BHA1901	1		CURVE FITTING
20	BHB3226	1		JOYSTICK
21	BHB3276	1		COMPLETE DISTRIBUTOR
22	BHE1134	1		NON-RETURN VALVE
23	BHE1138	1		NON-RETURN VALVE
24	BHG4723	1		WASHER
25	BHG4731	1		WASHER
26	BKA0010	1		MINIJACK

Document valid only for consultation



DESCRIPTION	REFERENCE	PAGE
ELECTRIC CONTACT ON BOOM HEAD (EID4813)	M3-00010_00	105
7-POLE ELECTRICAL SOCKET FOR TRAILER (EID4730)	M3-00020_00	106
LIGHT ON BOOM HEAD (EID4376)	M3-00030_00	107

Document valid only for consultation



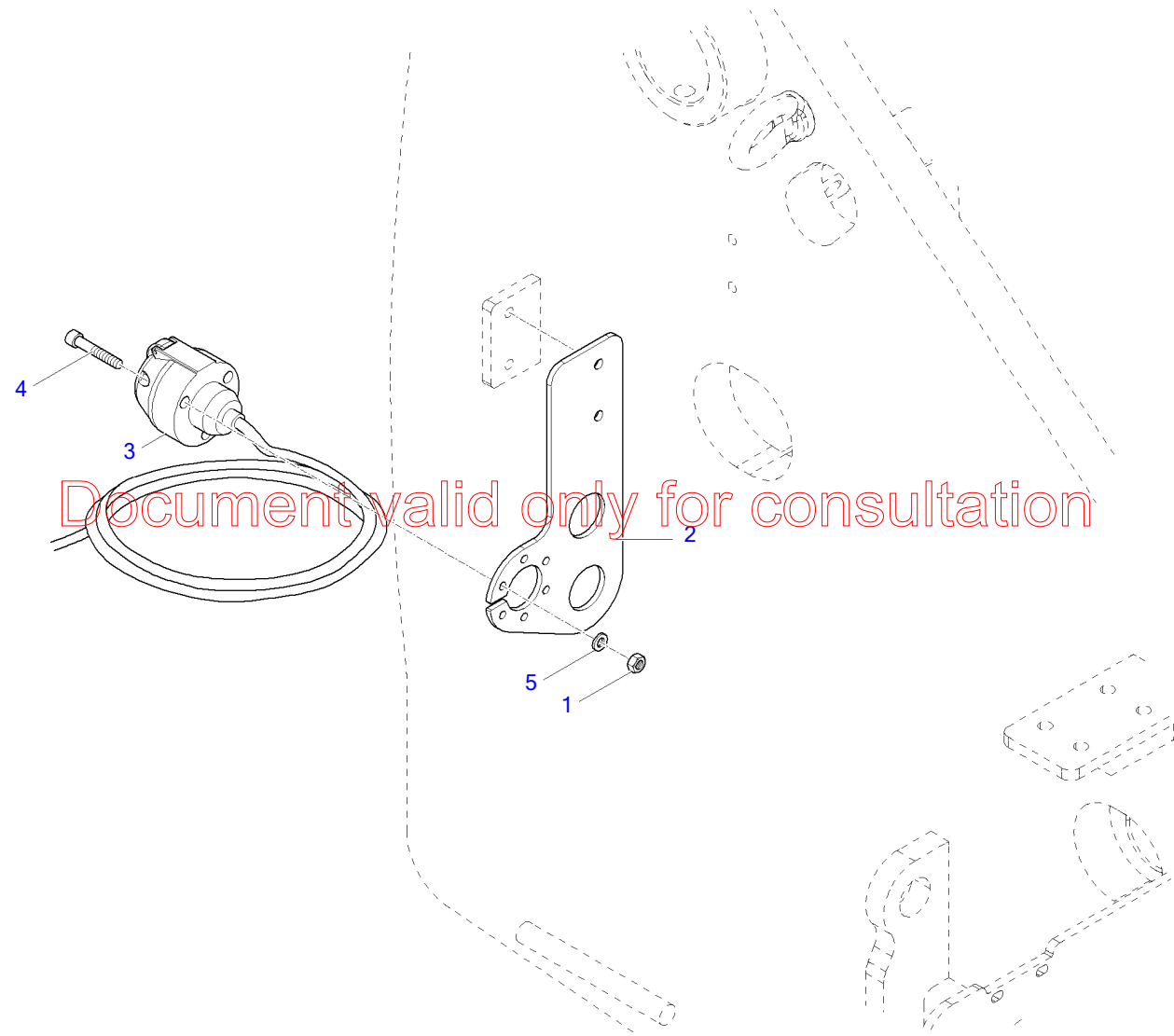


ELECTRIC CONTACT ON BOOM HEAD (EID4813)

Reference: m3-00010_00

POS.	CODE	Q.TY	UNIT	DESCRIPTION
1	BHA0653	1		PLUG
2	1P.ILMCHP06LS2	1		WALL HOUSING
3	1P.ILMCNF06	1		SOCKET
4	1P.REI53015040	1		CABLE GLAND
5	BAE1209	1		SCREW
6	BAF2008	1		THREADED INSERT
7	BEM3080	1		INDICATOR GLASS
8	4C.106AA024	1		SWITCH
9	1P.BM00504	1		CONTACT
10	BAG4117	1		NUT
11	BAL2251	1		WASHER
12	BAA7200	1		SCREW
13	BAA7202	1		SCREW
14	CARLA0001618-0G	1		SOCKETS SUPPORT PLATE

Document valid only for consultation



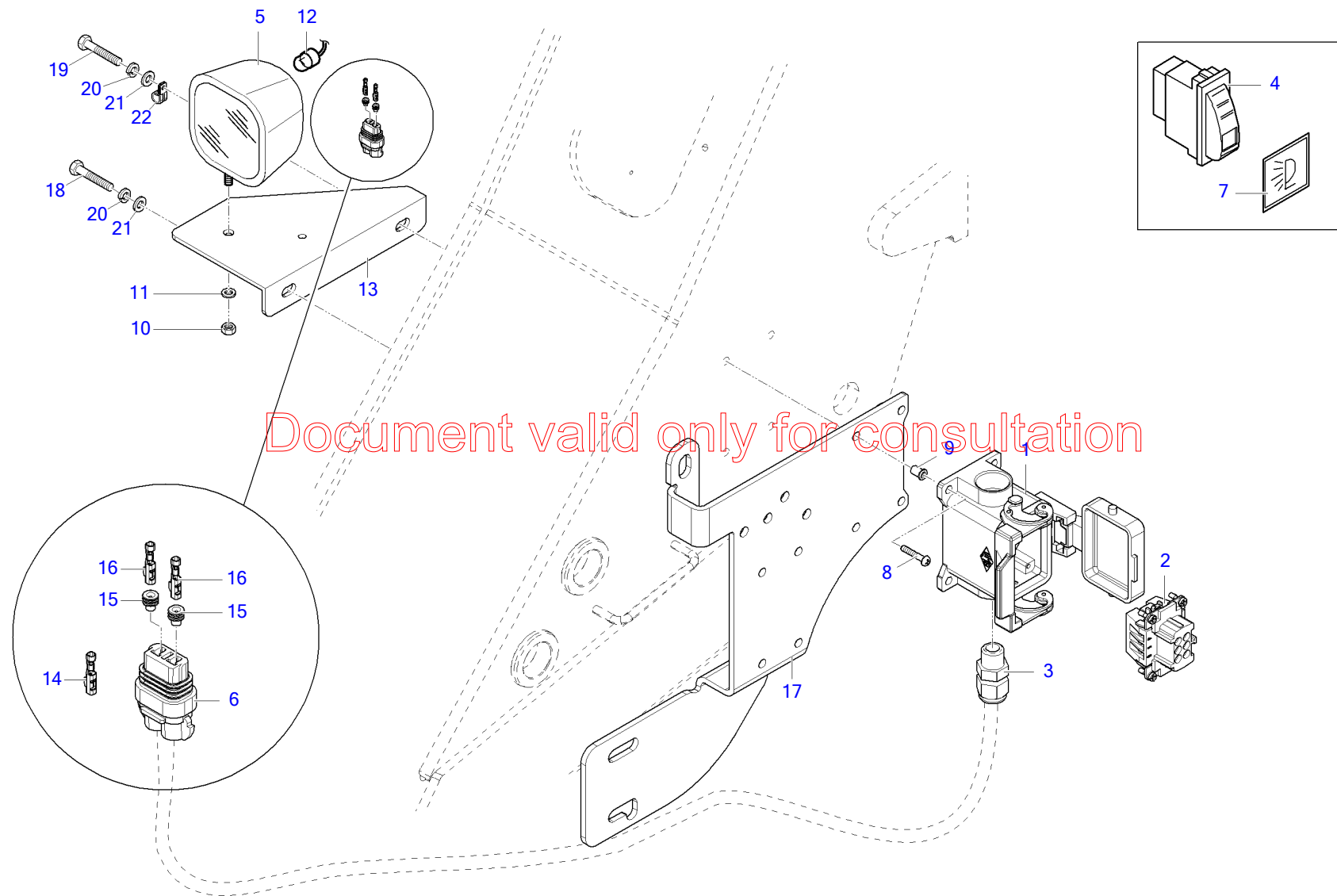


7-POLE ELECTRICAL SOCKET FOR TRAILER (EID4730)

Reference: m3-00020_00

POS.	CODE	Q.TY	UNIT	DESCRIPTION
1	BAG4116	1		NUT
2	CVC6106/0D2	1		SOCKETS SUPPORT PLATE
3	4C.0A028035	1		WIRED SOCKET
4	BAB5156	1		SCREW
5	BAL5110	1		WASHER

Document valid only for consultation





LIGHT ON BOOM HEAD (EID4376)

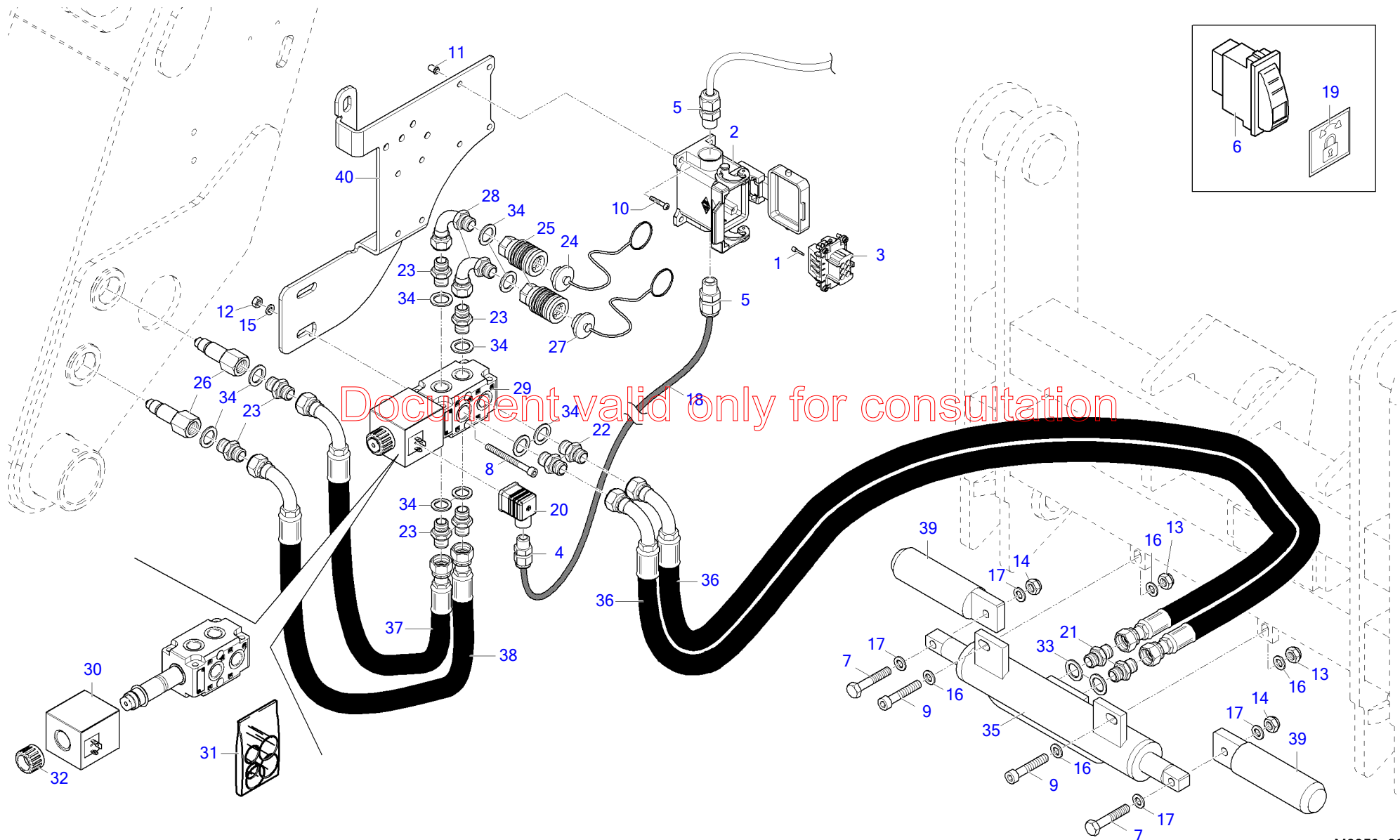
Reference: m3-00030_00

POS.	CODE	Q.TY	UNIT	DESCRIPTION
1	1P.ILMCHP06LS	1		WALL HOUSING
2	1P.ILMCNF06	1		SOCKET
3	1P.REI53015040	1		CABLE GLAND
4	4C.106AA008	1		SWITCH
5	4C.110967	1		HEADLIGHT
6	4C.125762	1		CONNECTOR
7	4C.77505	1		INDICATOR GLASS
8	BAE1209	1		SCREW
9	BAF2008	1		THREADED INSERT
10	BAG4118	1		NUT
11	BAL5114	1		WASHER
12	BEM4023	1		LAMP
13	CVC5653/CL	1		PLATE
14	4C.120239	1		FEMALE TERMINAL
15	4C.118157	1		RUBBER PAD
16	4C.120305	1		CONTACT
17	CARLA0001618-0G	1		SOCKETS SUPPORT PLATE
18	BAA7200	1		SCREW
19	BAA7202	1		SCREW
20	BAL2206	1		WASHER
21	BAL5113	1		WASHER
22	BWF1304	1		CLAMP

Document valid only for consultation

DESCRIPTION	REFERENCE	PAGE
QUICK COUPLING FOR ACCESSORIES (EID5755)	M4-00010_00	109
LIFTING EQUIPMENT PRE-ARRANGEMENT (EID4899)	M4-00020_00	110
ALUMINUM BASKET AND LIFTING ACCESSORIES PRE-ARRANGEMENT (EID4862)	M4-00030_00	111
SKID STEER LOADER FORK CARRIAGE (AID2256)	M4-00040_00	112

Document valid only for consultation





QUICK COUPLING FOR ACCESSORIES (EID5755)

Reference: m4-00010_00

POS.	CODE	Q.TY	UNIT	DESCRIPTION
1	1P.BM00504	1		CONTACT
2	1P.ILMCHP06LS2	1		WALL HOUSING
3	1P.ILMCNF06	1		SOCKET
4	1P.REI53015030	1		CABLE GLAND
5	1P.REI53015040	1		CABLE GLAND
6	4C.106AA010	1		SWITCH
7	BAA7308	1		SCREW
8	BAB5214	1		SCREW
9	BAB5256	1		SCREW
10	BAE1250	1		SCREW
11	BAF2009	1		THREADED INSERT
12	BAG4117	1		NUT
13	BAG4118	1		NUT
14	BAG4119	1		NUT
15	BAL5113	1		WASHER
16	BAL5114	1		WASHER
17	BAL5116	1		WASHER
18	BEF4224	1		ELECTRIC LINE
19	4C.77772	1		INDICATOR GLASS
20	BEQ8008	1		CONNECTOR
21	BHA0101	1		NIPPLE
22	BHA0104	1		NIPPLE
23	BHA0128	1		NIPPLE
24	BHA0853	1		BLUE CAP
25	BHA0859	1		QUICK COUPLING
26	BHA0860	1		QUICK COUPLING
27	BHA0863	1		RED CAP
28	BHA1040	1		CURVE FITTING
29	BHB3162	1		SELECTOR
30	SATKS0000004	1		COIL KIT (INCLUDING OR)
31	BHE1414/LC	1		GASKETS KIT
32	BHE1431/LC	1		RING NUT
33	BHG4723	1		WASHER
34	BHG4730	1		WASHER
35	BHM0036/0G	1		COMPLETE CYLINDER

Document valid only for consultation

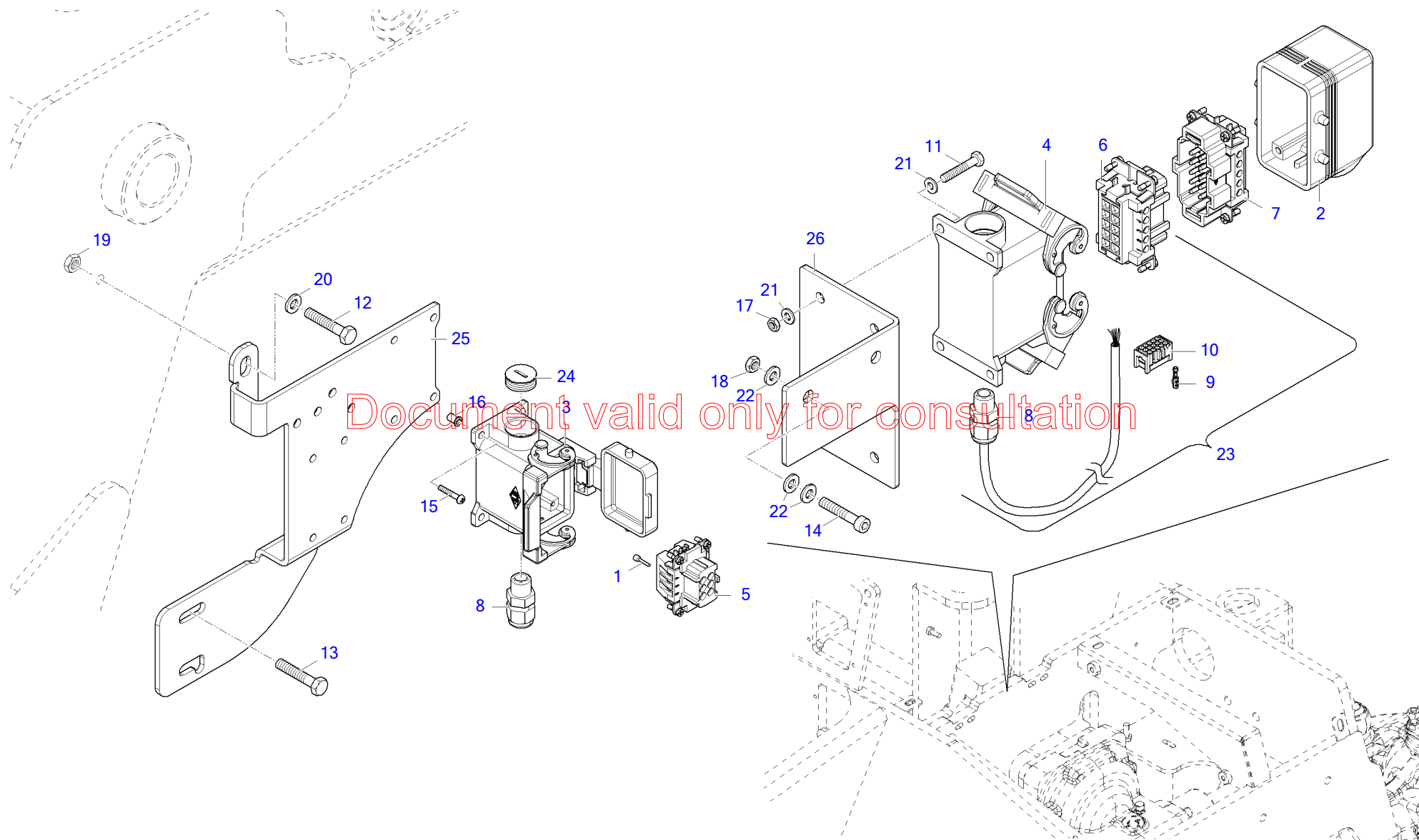


QUICK COUPLING FOR ACCESSORIES (EID5755)

Reference: m4-00010_00

POS.	CODE	Q.TY	UNIT	DESCRIPTION
36	BKF4580	2		PIPE
37	BKU4540	1		PIPE
38	BKU4550	1		PIPE
39	BUD5559/CL	1		PIN
40	CARLA0001618-0G	1		SOCKETS SUPPORT PLATE

Document valid only for consultation



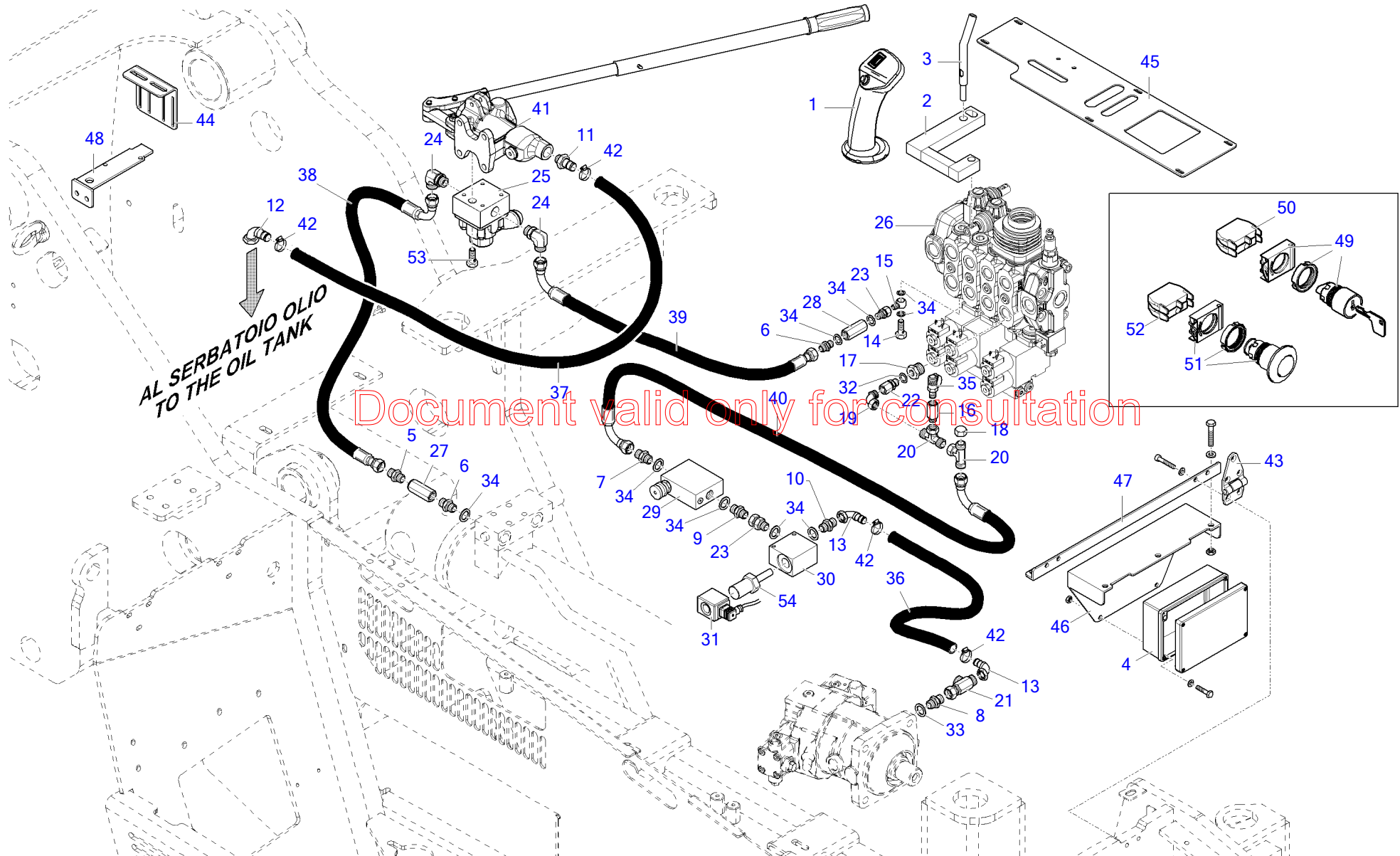


LIFTING EQUIPMENT PRE-ARRANGEMENT (EID4899)

Reference: m4-00020_00

POS.	CODE	Q.TY	UNIT	DESCRIPTION
1	1P.BM00504	1		CONTACT
2	1P.ILMCHO10	1		ELECTRICAL PLUG
3	1P.ILMCHP06LS2	1		WALL HOUSING
4	1P.ILMCHP10	1		WALL HOUSING
5	1P.ILMCNF06	1		SOCKET
6	1P.ILMCNF10	1		10-PIN FEMALE SOCKET
7	1P.ILMCNM10	1		10-PIN MALE SOCKET
8	1P.REI53015040	1		CABLE GLAND
9	4C.120239	1		FEMALE TERMINAL
10	4C.125826	1		CONNECTOR
11	BAA7101	1		SCREW
12	BAA7200	1		SCREW
13	BAA7202	1		SCREW
14	BAB5156	1		SCREW
15	BAE1250	1		SCREW
16	BAF2009	1		THREADED INSERT
17	BAG4100	1		NUT
18	BAG4116	1		NUT
19	BAG4117	1		NUT
20	BAL2251	1		WASHER
21	BAL5107	1		WASHER
22	BAL5110	1		WASHER
23	BEF4178	1		ELECTRIC LINE
24	BHA0653	1		PLUG
25	CARLA0001618-0G	1		SOCKETS SUPPORT PLATE
26	CVC5369/CL	1		ELECTRICAL PANEL SUPPORT

Document valid only for consultation





ALUMINUM BASKET AND LIFTING ACCESSORIES PRE-ARRANGEMENT (EID4862)

Reference: m4-00030_00

POS.	CODE	Q.TY	UNIT	DESCRIPTION
1	BHB5541	1		JOYSTICK
2	BCN1356/CL	1		RETURN LEVER
3	BCN7669/CL	1		ROD
4	BEF4179	1		ELECTRICAL PANEL
5	BHA0101	1		NIPPLE
6	BHA0104	1		NIPPLE
7	BHA0124	1		NIPPLE
8	BHA0125	1		NIPPLE
9	BHA0128	1		NIPPLE
10	BHA0129	1		NIPPLE
11	BHA0237	1		HOSE HOLDER NIPPLE
12	BHA0291	1		HOSE SUPPORT CURVE
13	BHA0374	1		HOSE HOLDER NIPPLE
14	BHA0404	1		PERFORATED SCREW
15	BHA0474	1		EYELET FITTING
16	BHA0533	1		COLUMN
17	BHA0636/F	1		PLUG
18	BHA0691	1		PLUG
19	BHA1036	1		CURVE FITTING
20	BHA1499	1		3-WAY FITTING
21	BHA1518	1		3-WAY FITTING
22	BHA1806	1		SWIVEL NIPPLE
23	BHA1810	1		SWIVEL NIPPLE
24	BHA1890	1		CURVE FITTING
25	BHB3141	1		VALVE
26	BHB3280	1		DISTRIBUTOR
27	BHE1130	1		NON-RETURN VALVE
28	BHE1133	1		NON-RETURN VALVE
29	BHE1220	1		VALVE
30	BHE1362	1		COLLECTOR
31	BHE1376	1		SOLENOID
32	BHG4723	1		WASHER
33	BHG4728	1		WASHER
34	BHG4730	1		WASHER
35	BKA0010	1		MINIJACK

Document valid only for consultation

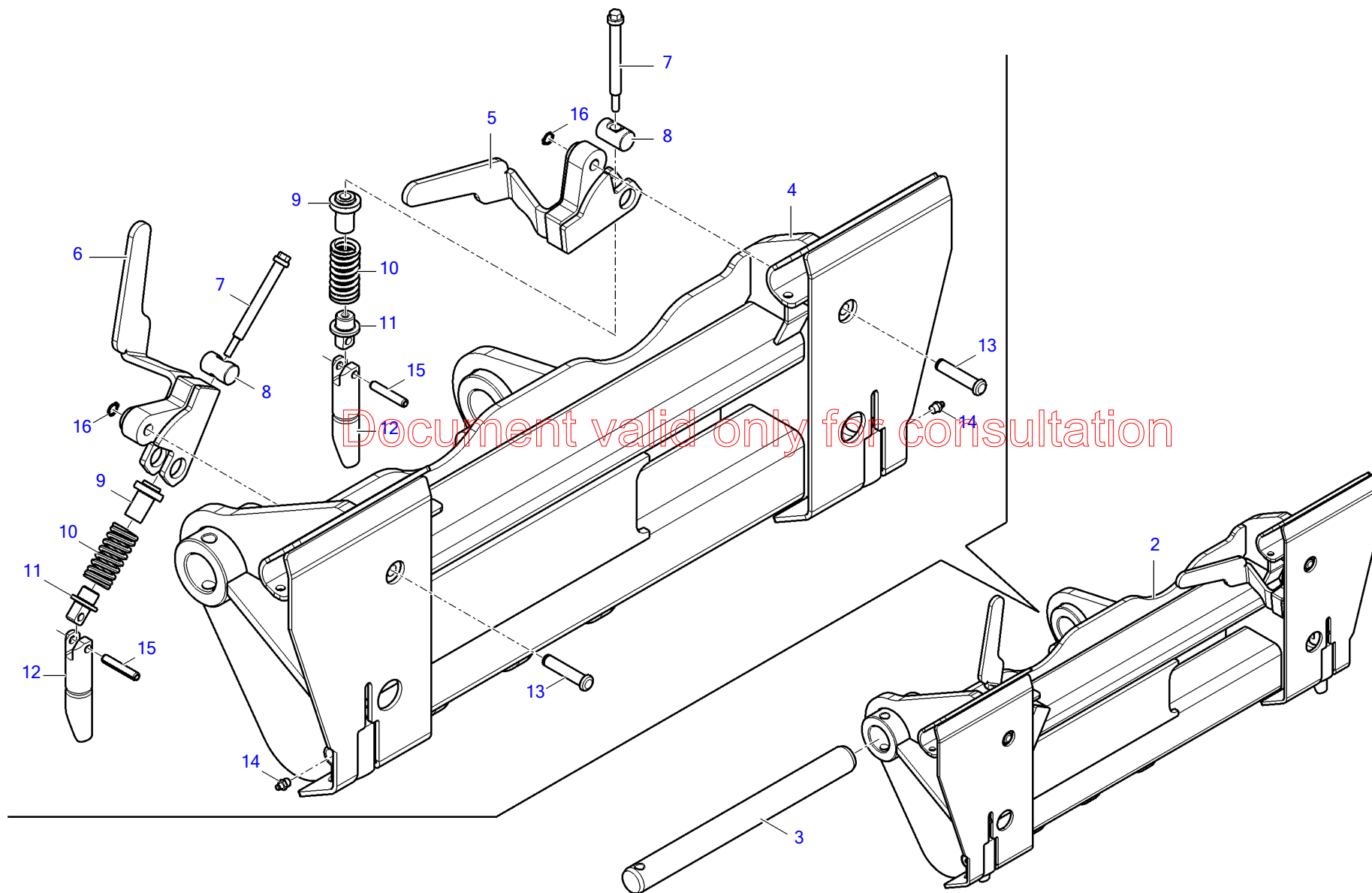


ALUMINUM BASKET AND LIFTING ACCESSORIES PRE-ARRANGEMENT (EID4862)

Reference: m4-00030_00

POS.	CODE	Q.TY	UNIT	DESCRIPTION
36	BKC6596	1		PIPE
37	BKC6635	1		PIPE
38	BKF4650	1		PIPE
39	BKF4720	1		PIPE
40	BKM9540	1		PIPE
41	BVN1139	1		PUMP
42	BWF1104	1		CLAMP
43	BWL1120	1		HINGE
44	CVC4387/CL	1		SUPPORT
45	CVC7348/0D	1		INSTRUMENT PANEL
46	CVC7568/0G	1		LOWER PROTECTION PLATE
47	CVC7569/0G	1		ELECTRICAL PANEL SUPPORT
48	CVC7753/CL	1		SUPPORT
49	1P.P9XSCZOT95	1		KEY SELECTOR
50	1P.P9B11VN	1		BLOCK
51	1P.P9XER3RN	1		BUTTON
52	1P.P9B01VN	1		BLOCK
53	BHA0423	1		PERFORATED SCREW
54	BHE1359	1		VALVE

Document valid only for consultation





SKID STEER LOADER FORK CARRIAGE (AID2256)

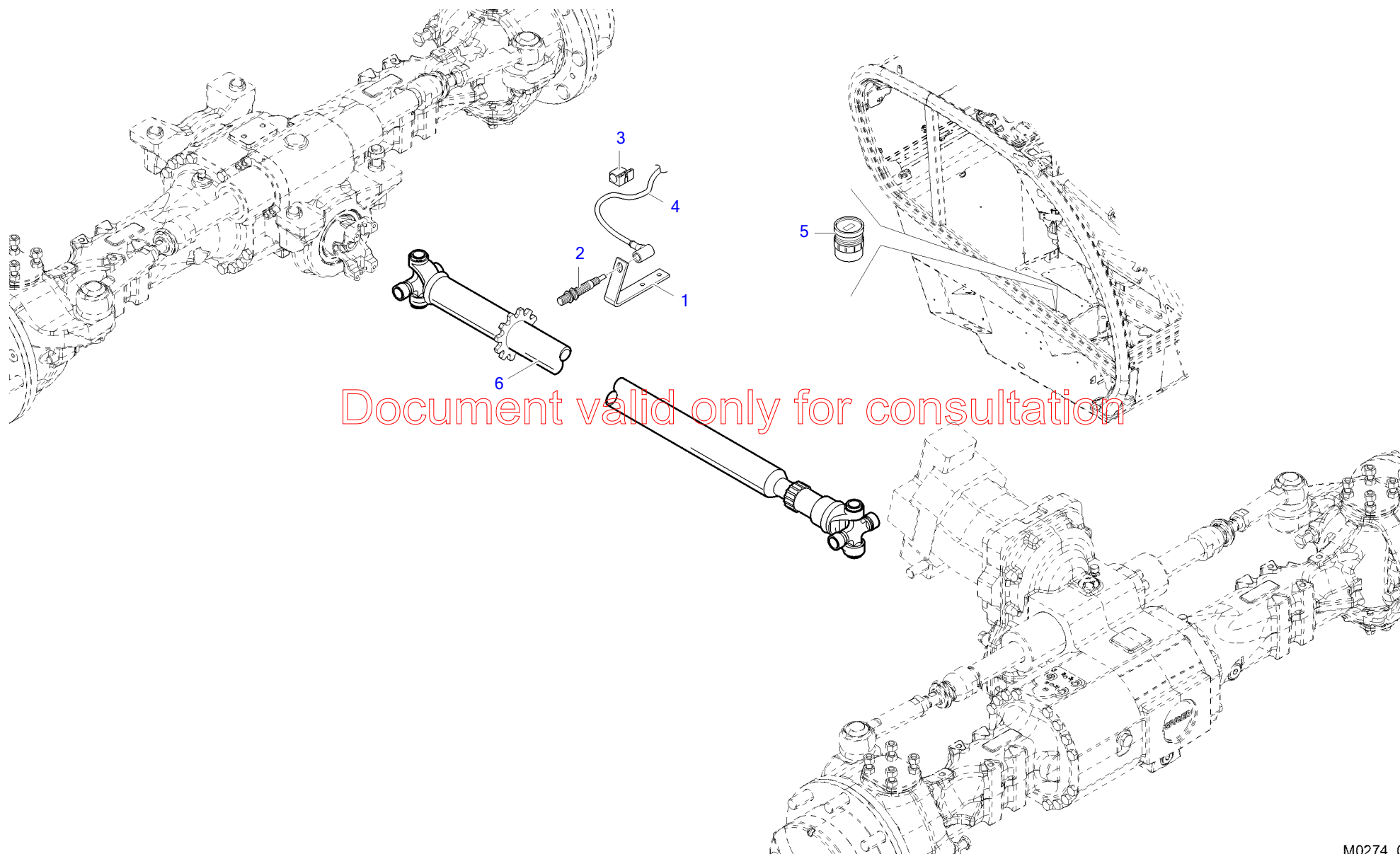
Reference: m4-00040_00

POS.	CODE	Q.TY	UNIT	DESCRIPTION
	KPLLI0000473	1		SKID STEER LOADER FORK CARRIAGE
2	ATT0000070	1		PLATE
3	BRI5054	1		PIN
4	ASM0000316	1		PLATE
5	ASM0000313	1		LEVER
6	ASM0000314	1		METAL SHEET
7	CAR0001245	1		TIE ROD
8	CAR0001243	1		PIN
9	CAR0001244	1		PIN
10	BWN2015	1		SPRING
11	CAR0001242	1		PIN
12	CAR0001239	1		PIN
13	CAR0001240	1		PIN
14	BWI1119	1		LUBRICATOR
15	BWS2222	1		ELASTIC PIN
16	BWQ2104	1		SEGER

Document valid only for consultation

DESCRIPTION	REFERENCE	PAGE
DIGITAL SPEEDOMETER (EID4723)	M6-00010_00	114

Document valid only for consultation



Document valid only for consultation



DIGITAL SPEEDOMETER (EID4723)

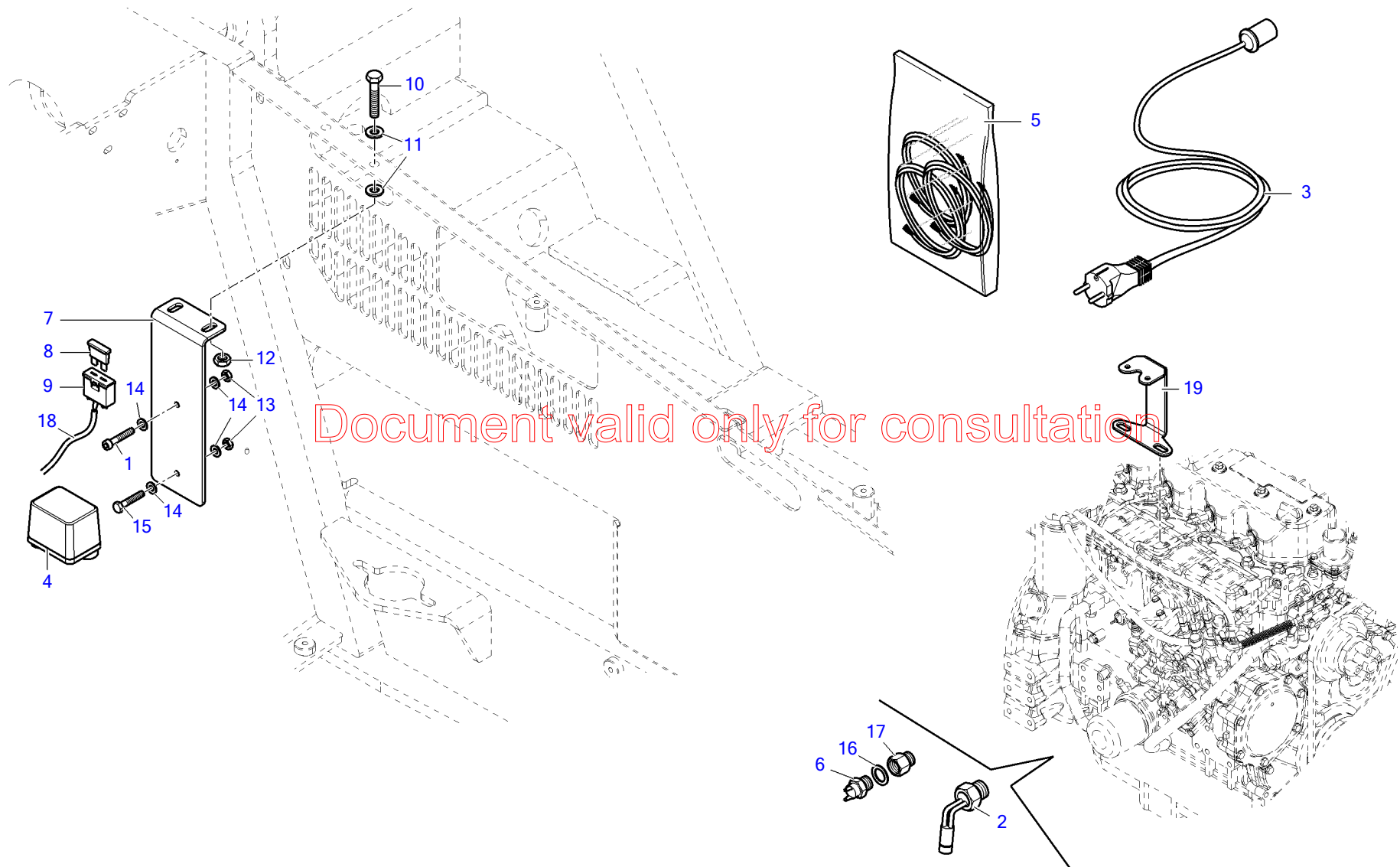
Reference: m6-00010_00

POS.	CODE	Q.TY	UNIT	DESCRIPTION
1	CVC6230/CL	1		SUPPORT
2	BEP0407	1		SENSOR
3	2E.TEXSZB118	1		CLAMP
4	2E.TEXZCP1241L5	1		ELECTRICAL CABLE
5	4C.06510075	1		DIGITAL SPEEDOMETER
6	BVD1393	1		DRIVE SHAFT

Document valid only for consultation

DESCRIPTION	REFERENCE	PAGE
WATER HEATERS (EID4689)	M8-00010_00	116
CYCLONE PREFILTER FOR DUSTY AREAS (BHC5025)	M8-00020_00	117
SELF-CLEANING PREFILTER FOR DUSTY AREAS (BHC5026)	M8-00030_00	118

Document valid only for consultation



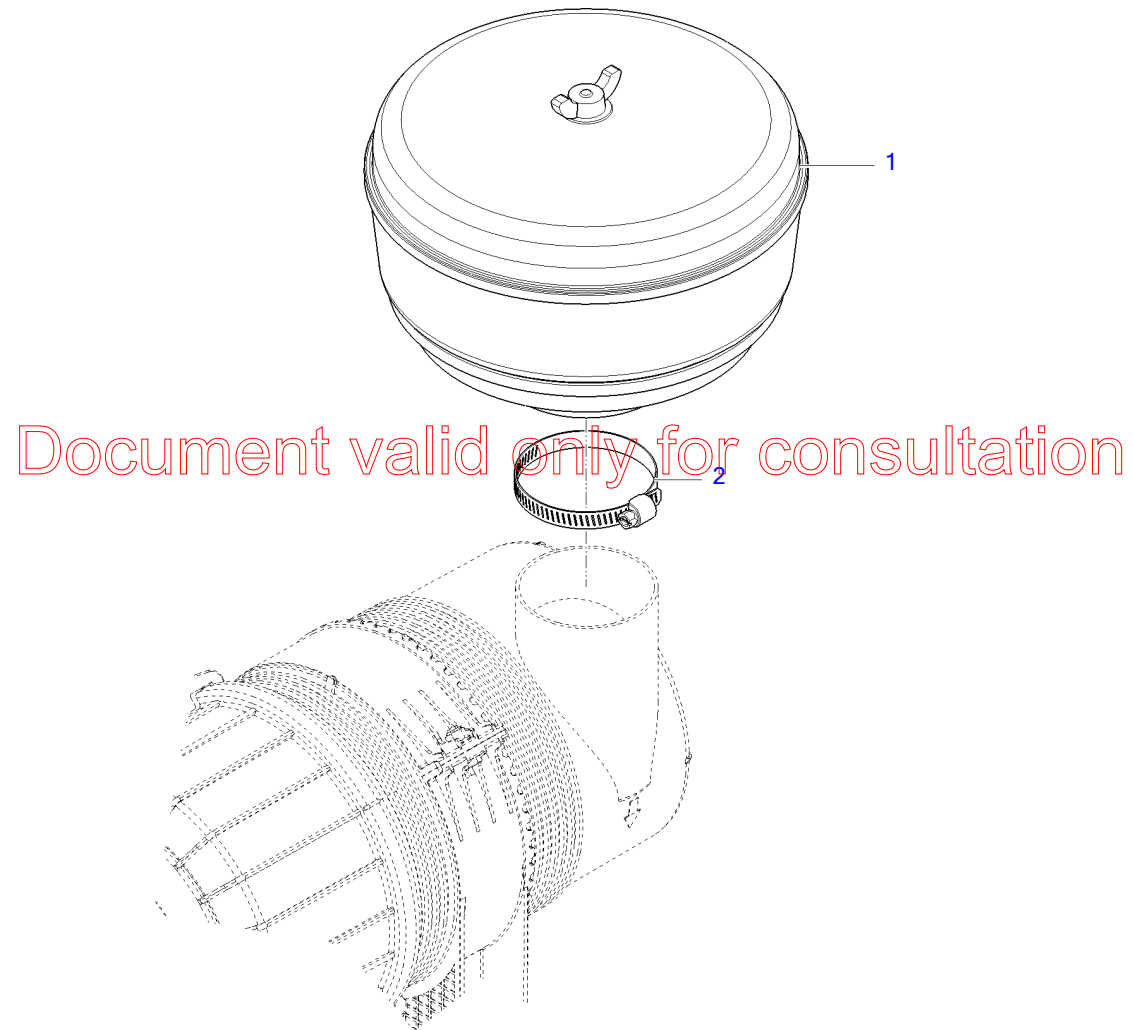


WATER HEATERS (EID4689)

Reference: m8-00010_00

POS.	CODE	Q.TY	UNIT	DESCRIPTION
1	BAB5080	1		SCREW
2	BMP1031	1		WATER HEATER
3	BMP1023	1		EXTENSION
4	BMP1024	1		RELAY
5	BMP1025	1		CABLES KIT
6	BMP1026	1		THERMOSTAT
7	CAR0001487/CL	1		SUPPORT
8	4C.163010	1		FUSE (3A)
9	4C.113634	1		FUSE HOLDER
10	BAA7152	1		SCREW
11	BAL5110	1		WASHER
12	BAG4116	1		NUT
13	BAG4099	1		NUT
14	BAL5103	1		WASHER
15	BAA7049	1		SCREW
16	BHG4151	1		WASHER
17	BHA0574	1		COLUMN
18	BEK7167	1		ELECTRIC LINE
19	CAR0002944/CL	1		METAL SHEET

Document valid only for consultation



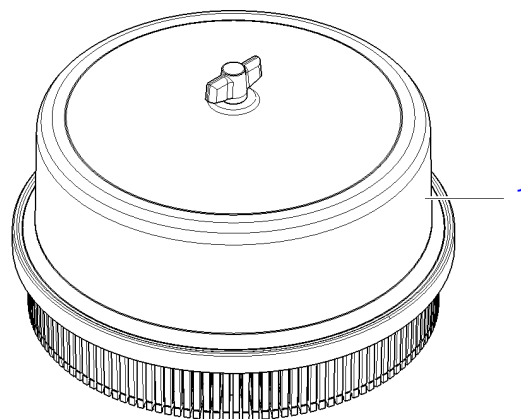


CYCLONE PREFILTER FOR DUSTY AREAS (BHC5025)

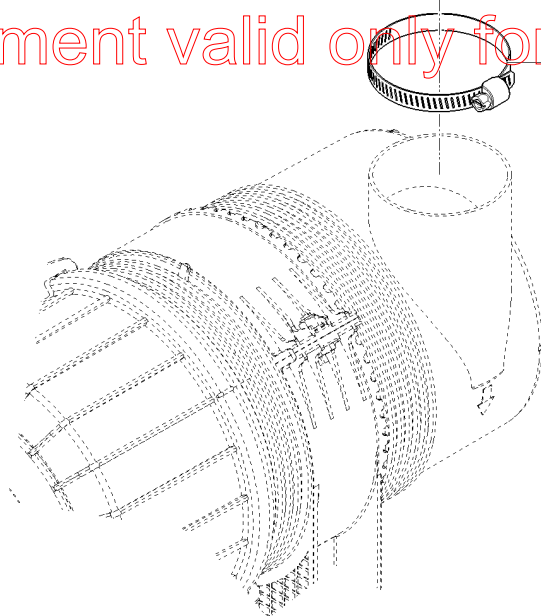
Reference: m8-00020_00

POS.	CODE	Q.TY	UNIT	DESCRIPTION
1	BHC5025	1		INTAKE PRE-FILTER
2	BWF1240	1		CLAMP

Document valid only for consultation



Document valid only for consultation





SELF-CLEANING PREFILTER FOR DUSTY AREAS (BHC5026)

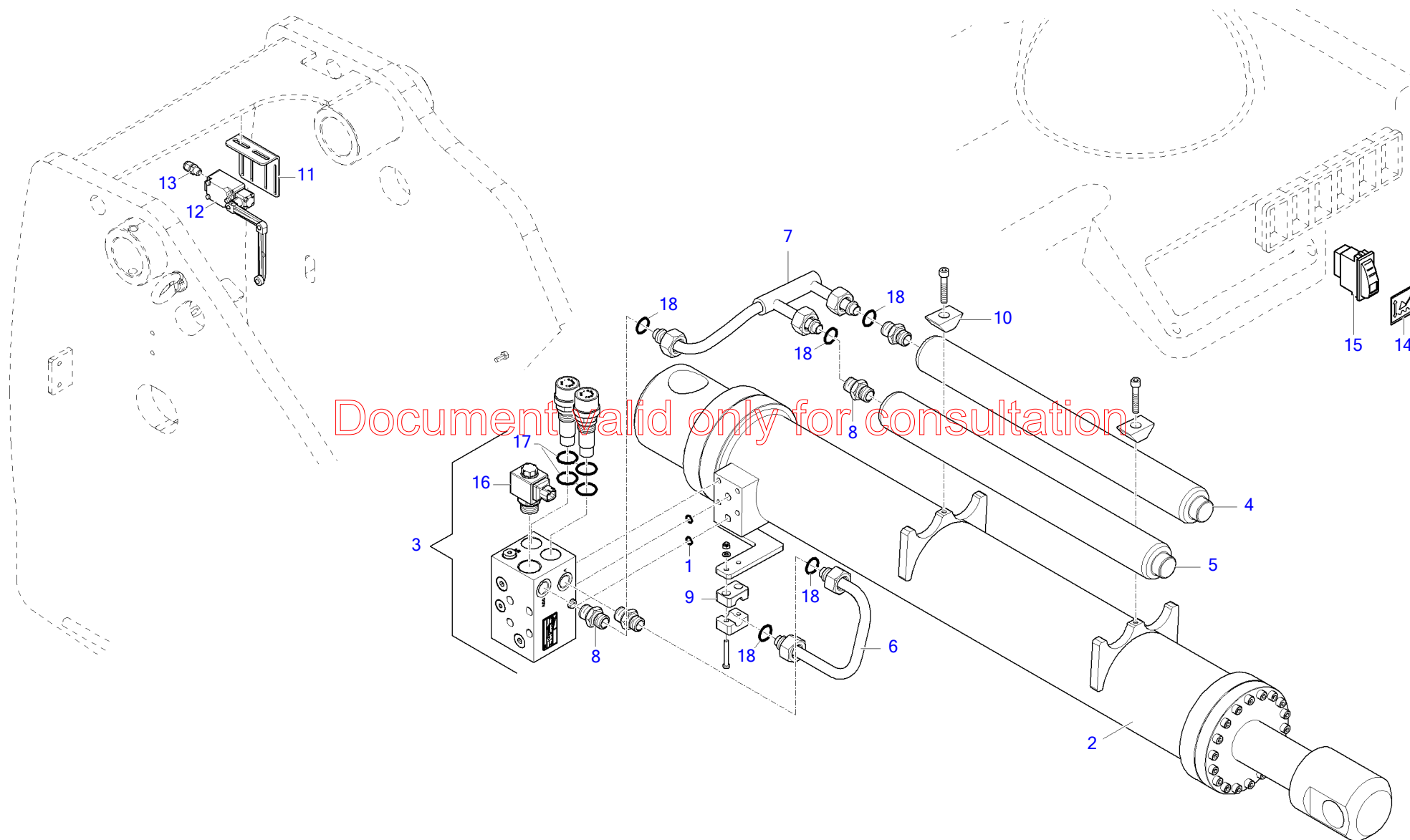
Reference: m8-00030_00

POS.	CODE	Q.TY	UNIT	DESCRIPTION
1	BHC5026	1		INTAKE PRE-FILTER
2	BWF1240	1		CLAMP

Document valid only for consultation

DESCRIPTION	REFERENCE	PAGE
BOOM SUSPENSION (EID4917)	M9-00010_01	120

Document valid only for consultation





BOOM SUSPENSION (EID4917)

Reference: m9-00010_01

POS.	CODE	Q.TY	UNIT	DESCRIPTION
1	BVG2336	1		O-RING
2	BHM2617/F0D2	1		LIFTING CYLINDER
3	BHE1277	1		VALVE
4	BFG3107	1		ACCUMULATOR
5	BFG3108	1		ACCUMULATOR
6	OLB0000012	1		PIPE
7	BLT2047/1	1		PIPE
8	9D.E212.116SG1/2	1		NIPPLE
9	BWF1337	1		FIXING COLLAR
10	PPF1005/1CL	1		FASTENER
11	CVC4387/CL	1		SUPPORT
12	BEP0440	1		MICROSWITCH
13	2E.TFPR1311	1		CABLE GLAND
14	4C.77679	1		INDICATOR GLASS
15	4C.106AA035	1		SWITCH
16	BHE1448	1		COIL
17	BVG2345	1		O-RING
18	BVG2716	1		O-RING

Document valid only for consultation

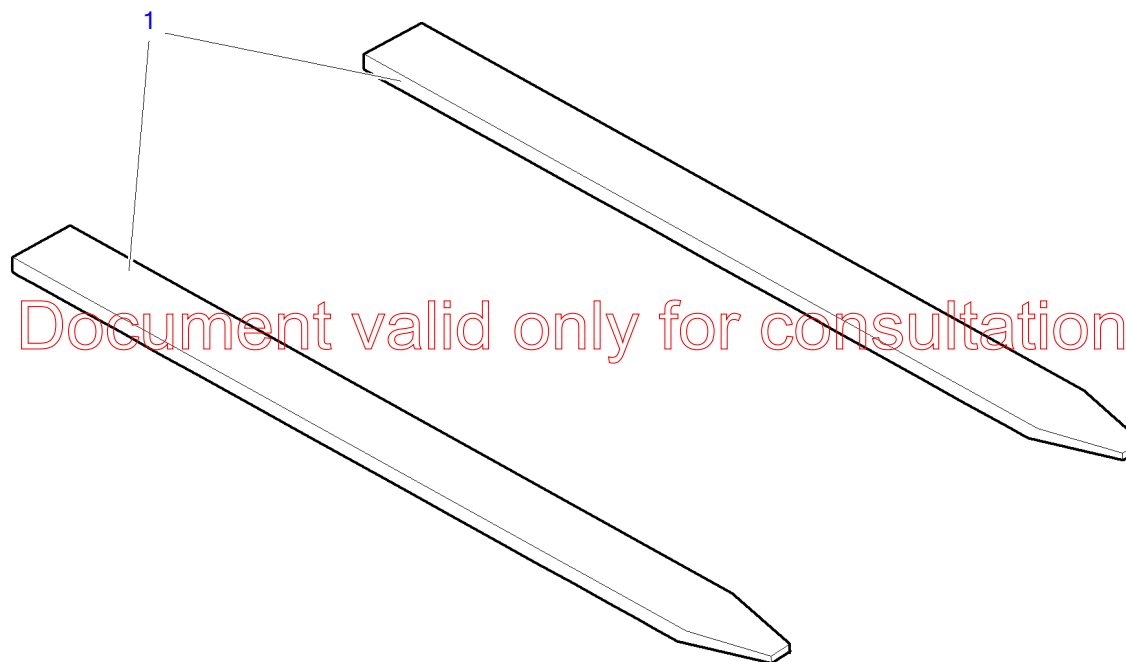
DESCRIPTION	REFERENCE	PAGE
FORKS AND ACCESSORIES	P0-00000_00	122
GRIPPERS	P1-00000_00	128
BUCKETS AND ACCESSORIES	P2-00000_00	130
CRANE EXTENSIONS WITH WINCHES	P4-00000_00	147
WINCHES WITH HOOKS AND ARMS	P5-00000_00	167
PLATES WITH WINCH	P6-00000_00	172
LADLES	P8-00000_00	176
BASKETS	P9-00000_00	178

Document valid only for consultation



DESCRIPTION	REFERENCE	PAGE
PAIR OF FORKS EXTENSION (BUD1051/0G)	P0-00050_00	123
FIXED COUNTERPLATE WITH FLOATING FORKS (BCV8071)	P0-00060_00	124
COUNTERPLATE WITH SIDE SHIFT AND FLOATING FORKS (INTERNAL L. 1100) (BCV8070)	P0-00070_00	125
COUNTERPLATE WITH SIDE SHIFT AND FLOATING FORKS (INTERNAL L. 1400) (BCV8077)	P0-00080_00	126
COUNTERPLATE GUARD (BUD1126)	P0-00090_00	127

Document valid only for consultation



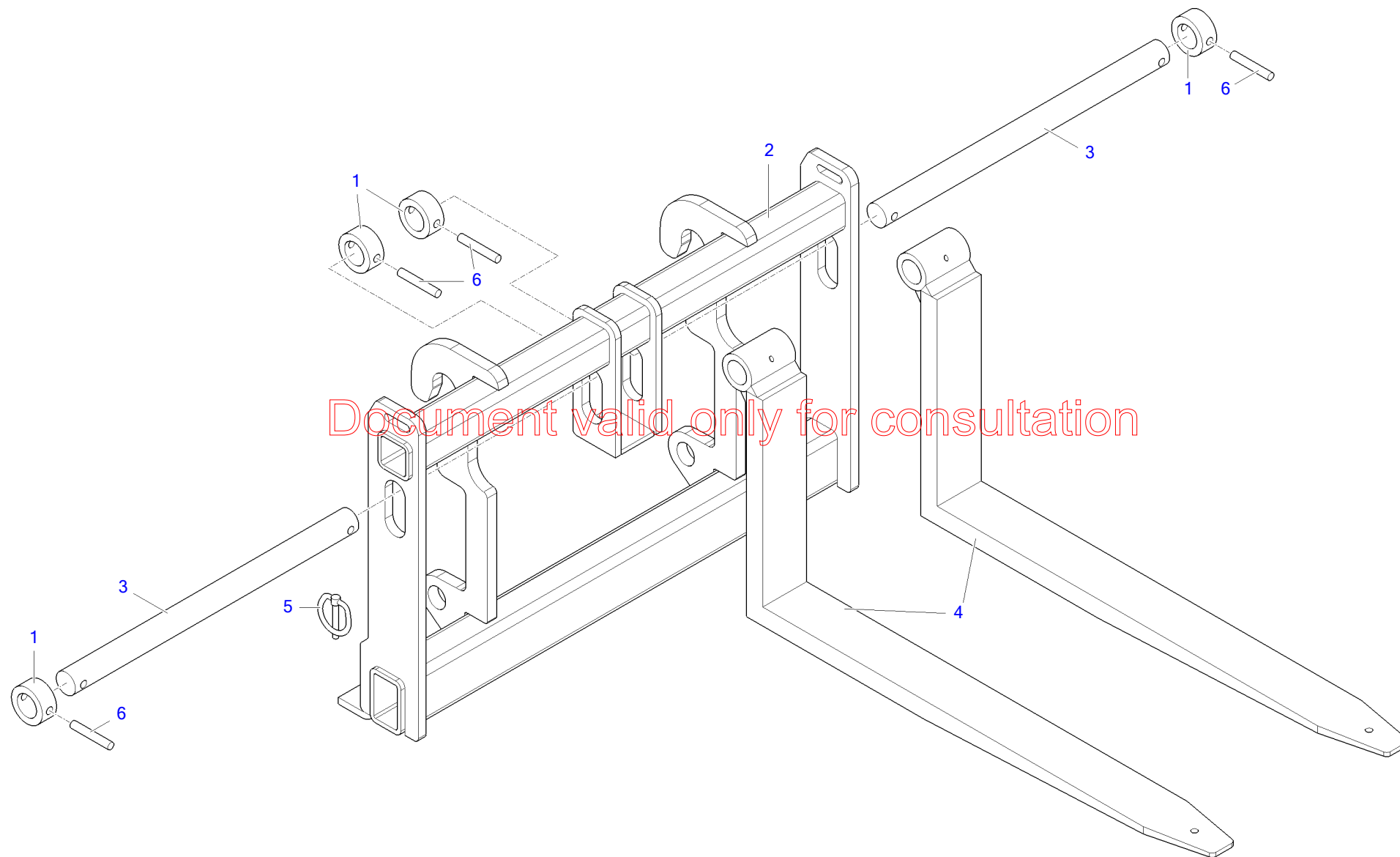


PAIR OF FORKS EXTENSION (BUD1051/0G)

Reference: p0-00050_00

POS.	CODE	Q.TY	UNIT	DESCRIPTION
1	BUD1051/0G	1		PAIR OF FORKS EXTENSION

Document valid only for consultation



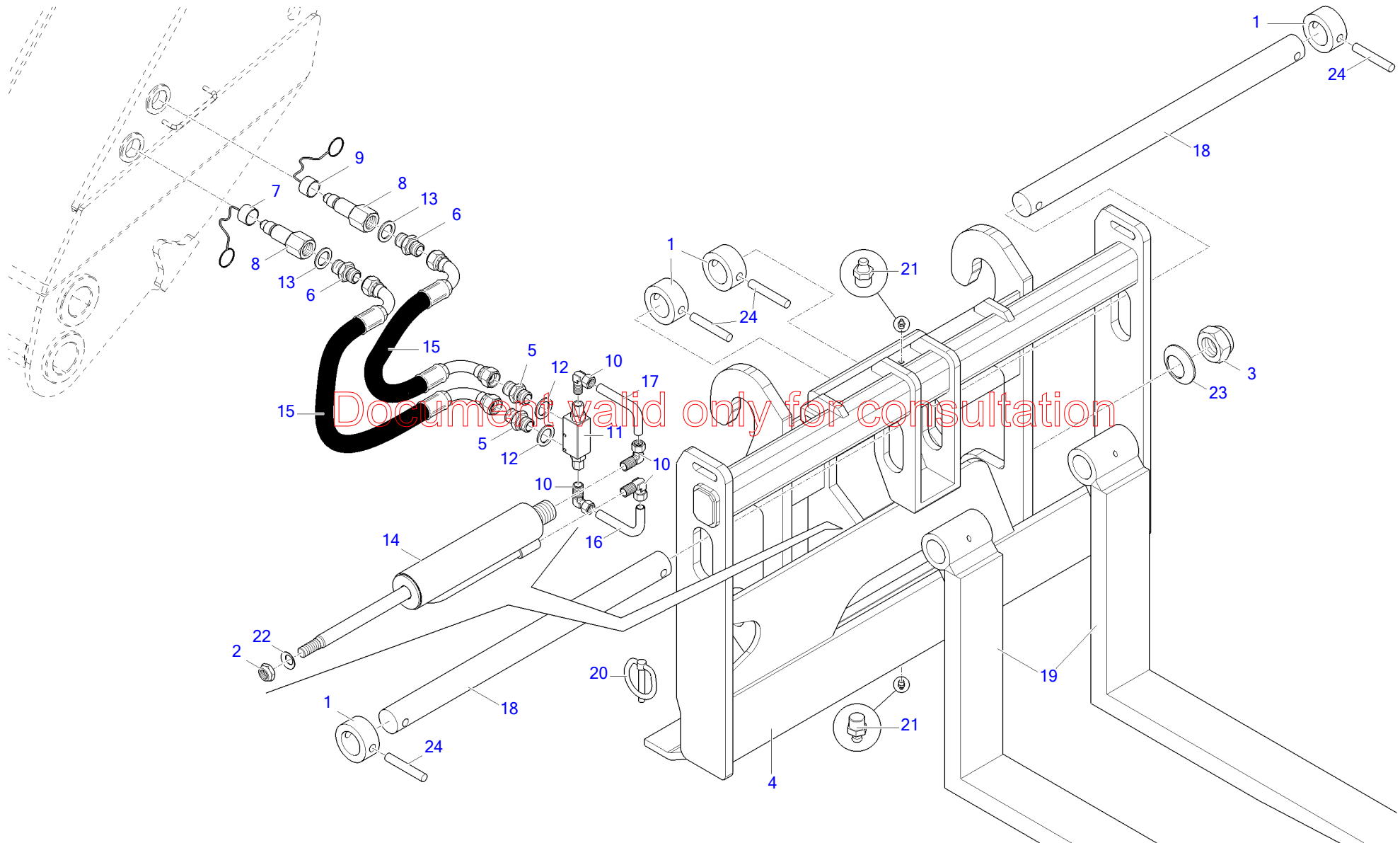


FIXED COUNTERPLATE WITH FLOATING FORKS (BCV8071)

Reference: p0-00060_00

POS.	CODE	Q.TY	UNIT	DESCRIPTION
1	PAS8003/CL	1		BUSH
2	BCV8064/0G	1		FIXED COUNTERPLATE
3	BRI5059/CL	1		PIN
4	BUD1062	1		PAIR OF FLOATING FORKS
5	BWH2165	1		SNAP COTTER PIN
6	BWS2437	1		ELASTIC PIN

Document valid only for consultation



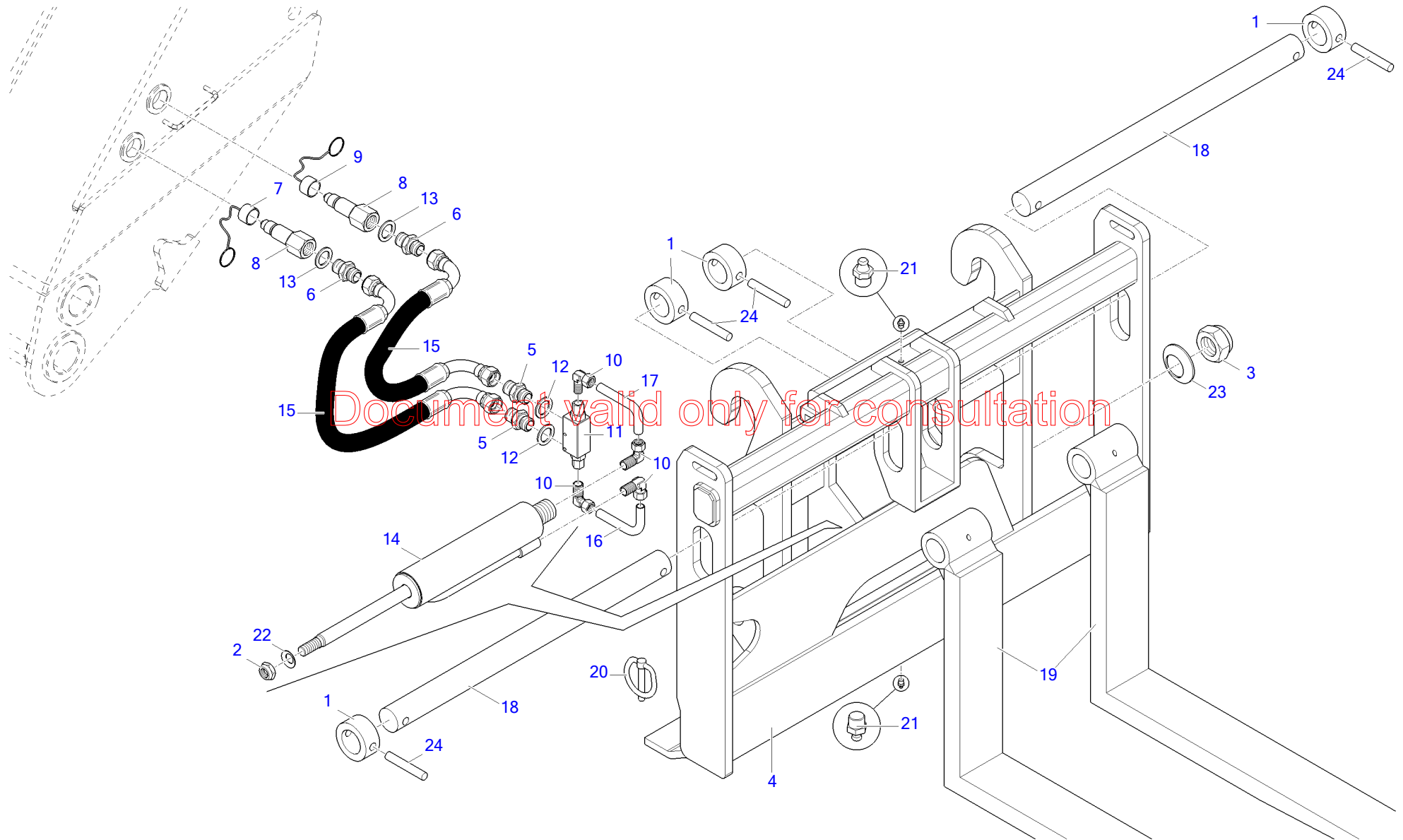


COUNTERPLATE WITH SIDE SHIFT AND FLOATING FORKS (INTERNAL L. 1100)
(BCV8070)

Reference: p0-00070_00

POS.	CODE	Q.TY	UNIT	DESCRIPTION
1	PAS8003/CL	1		BUSH
2	BAG4173	1		NUT
3	BAM1108	1		RING NUT
4	BCV8066/0G	1		COUNTERPLATE WITH SIDE SHIFT
5	BHA0101	1		NIPPLE
6	BHA0104	1		NIPPLE
7	BHA0852	1		BLUE CAP
8	BHA0860	1		QUICK COUPLING
9	BHA0862	1		RED CAP
10	BHA2257	1		FITTING
11	BHE1368	1		VALVE
12	BHG4723	1		WASHER
13	BHG4730	1		WASHER
14	BHM0105	1		CYLINDER
15	BKF5590	1		PIPE
16	BLS2009/CL	1		PIPE
17	BLS4008/1CL	1		PIPE
18	BRI5059/CL	1		PIN
19	BUD1062	1		PAIR OF FLOATING FORKS
20	BWH2165	1		SNAP COTTER PIN
21	BW11119	1		LUBRICATOR
22	BWN3000	1		BELLEVILLE WASHER
23	BWN3010	1		BELLEVILLE WASHER
24	BWS2437	1		ELASTIC PIN

Document valid only for consultation



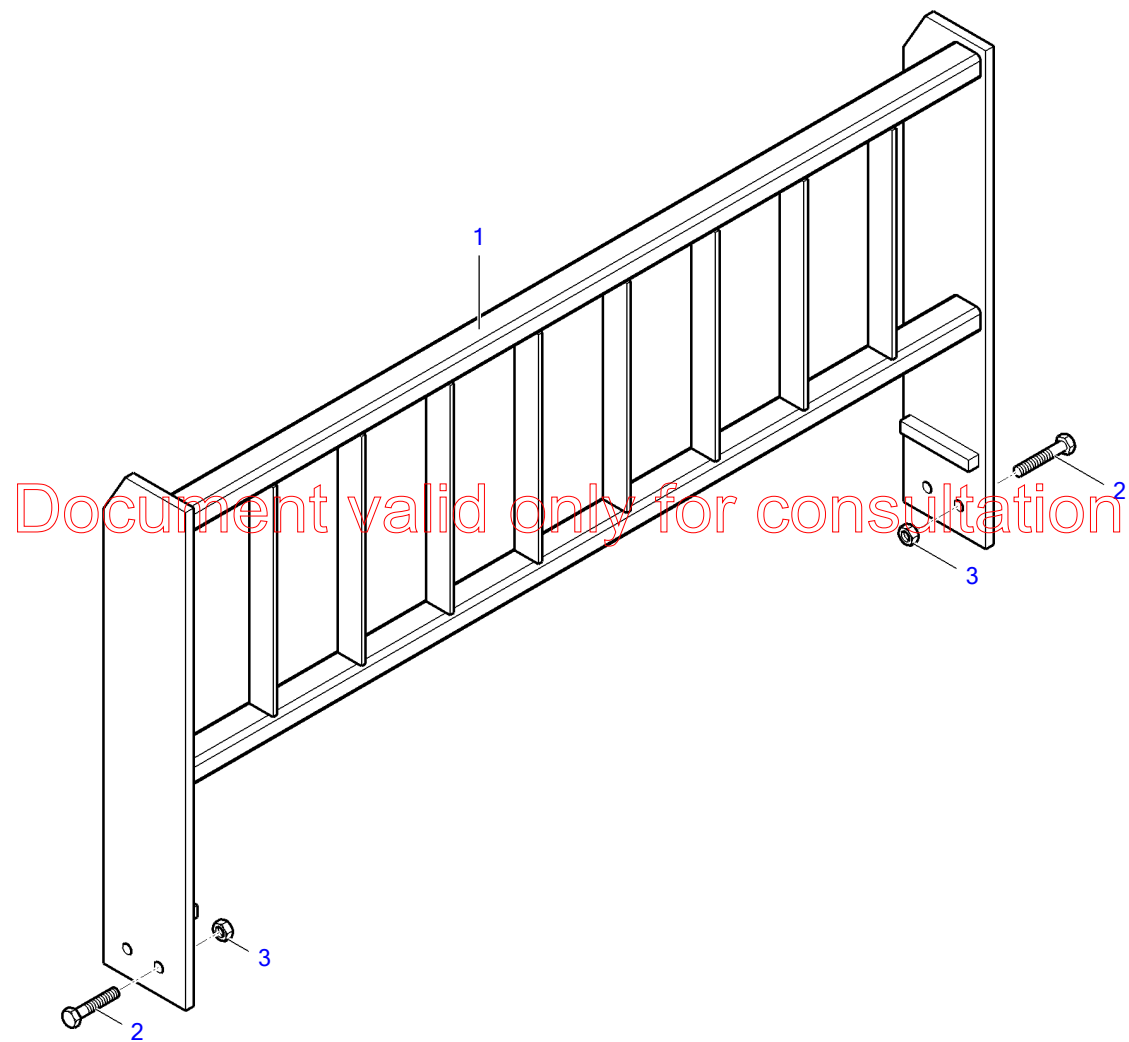


COUNTERPLATE WITH SIDE SHIFT AND FLOATING FORKS (INTERNAL L. 1400)
(BCV8077)

Reference: p0-00080_00

POS.	CODE	Q.TY	UNIT	DESCRIPTION
1	PAS8003/CL	1		BUSH
2	BAG4173	1		NUT
3	BAM1108	1		RING NUT
4	BCV8067/0G	1		COUNTERPLATE WITH SIDE SHIFT
5	BHA0101	1		NIPPLE
6	BHA0104	1		NIPPLE
7	BHA0852	1		BLUE CAP
8	BHA0860	1		QUICK COUPLING
9	BHA0862	1		RED CAP
10	BHA2257	1		FITTING
11	BHE1368	1		VALVE
12	BHG4723	1		WASHER
13	BHG4730	1		WASHER
14	BHM0105	1		CYLINDER
15	BKF5610	1		PIPE
16	BLS2009/CL	1		PIPE
17	BLS4008/1CL	1		PIPE
18	BRI5074/CL	1		PIN
19	BUD1062	1		PAIR OF FLOATING FORKS
20	BWH2165	1		SNAP COTTER PIN
21	BW11119	1		LUBRICATOR
22	BWN3000	1		BELLEVILLE WASHER
23	BWN3010	1		BELLEVILLE WASHER
24	BWS2437	1		ELASTIC PIN

Document valid only for consultation





COUNTERPLATE GUARD (BUD1126)

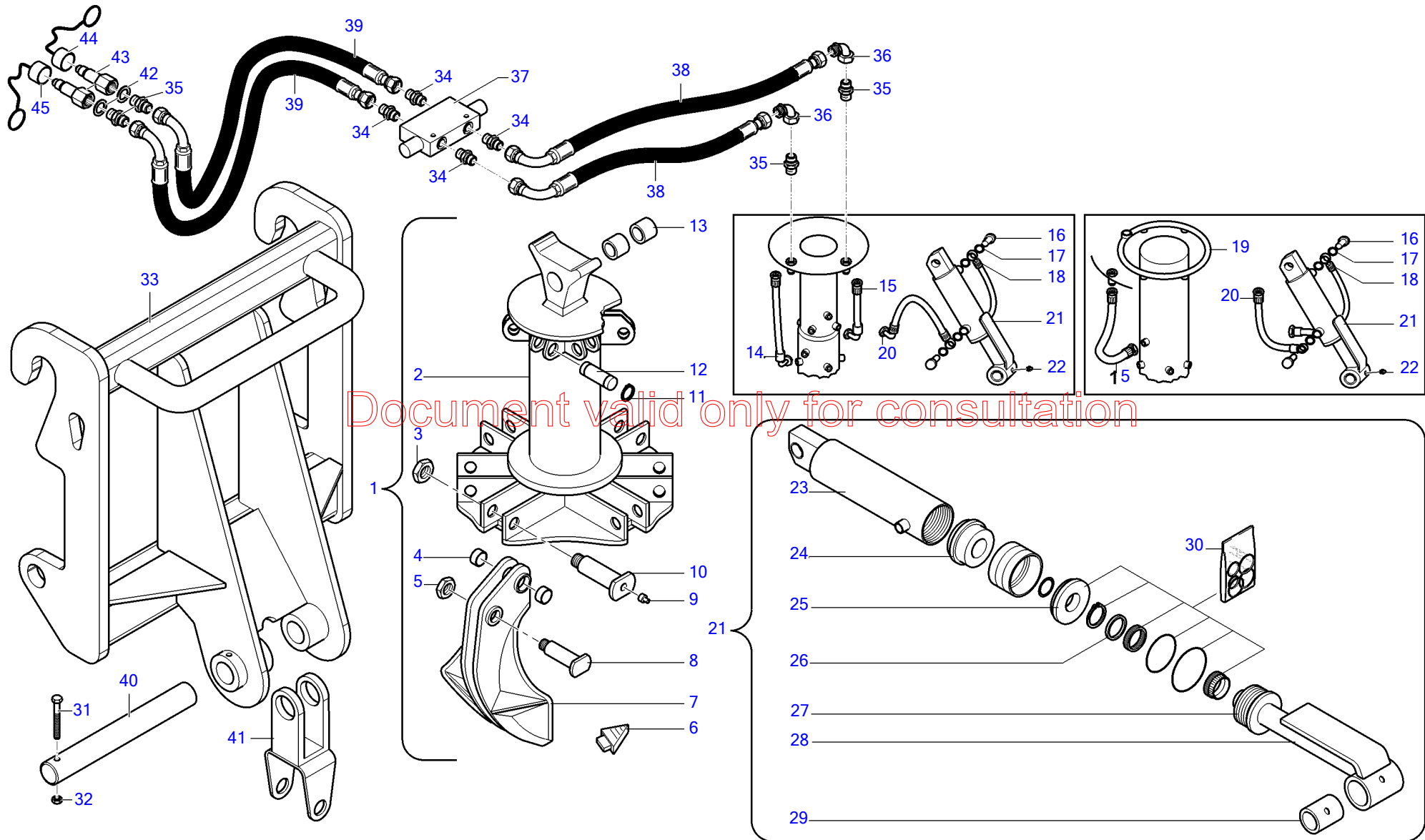
Reference: p0-00090_00

POS.	CODE	Q.TY	UNIT	DESCRIPTION
1	BUD1126	1		FORK CARRIAGE GUARD
2	BAA7410	1		SCREW
3	BAG4106	1		NUT

Document valid only for consultation

DESCRIPTION	REFERENCE	PAGE
ORANGE PEEL GRAB WITH 5 TEETH (BUB2502)	P1-00010_00	129

Document valid only for consultation





ORANGE PEEL GRAB WITH 5 TEETH (BUB2502)

Reference: p1-00010_00

POS.	CODE	Q.TY	UNIT	DESCRIPTION
1	BUB2441/1	1		ORANGE PEEL GRAB WITH 5 TEETH
2	4R.T064	1		BODY
3	4R.C035	1		NUT
4	4R.P03001	1		BUSH
5	4R.C035	1		NUT
6	4R.V010	1		TIP
7	4R.SC006	1		BUCKET
8	4R.A03001	1		PIN
9	4R.B077	1		LUBRICATOR
10	4R.A03002	1		PIN
11	4R.Q041	1		SEEGER
12	4R.A02604	1		PIN
13	4R.P03301	1		BUSH
14	4R.GB006	1		PIPE
15	4R.GB011	1		PIPE
16	4R.H043	1		SCREW
17	4R.M032	1		WASHER
18	4R.GB010	1		PIPE
19	4R.IC008	1		COLLECTOR
20	4R.GB010	1		PIPE
21	4R.I06001	1		JACK
22	4R.B077	1		LUBRICATOR
23	4R.FC004	1		CYLINDER LINER
24	4R.FP004	1		PISTON
25	4R.FR004	1		WASHER
26	4R.FR005	1		WASHER
27	4R.FG007	1		GUIDE
28	4R.FS004	1		ROD
29	4R.P03009	1		BUSH
30	4R.K013	1		GASKETS KIT
31	BAA7266	1		SCREW
32	BAG4118	1		NUT
33	BCN5372/0G	1		HOOK SUPPORT
34	BHA0124	1		NIPPLE
35	BHA0128	1		NIPPLE

Document valid only for consultation



ORANGE PEEL GRAB WITH 5 TEETH (BUB2502)

Reference: p1-00010_00

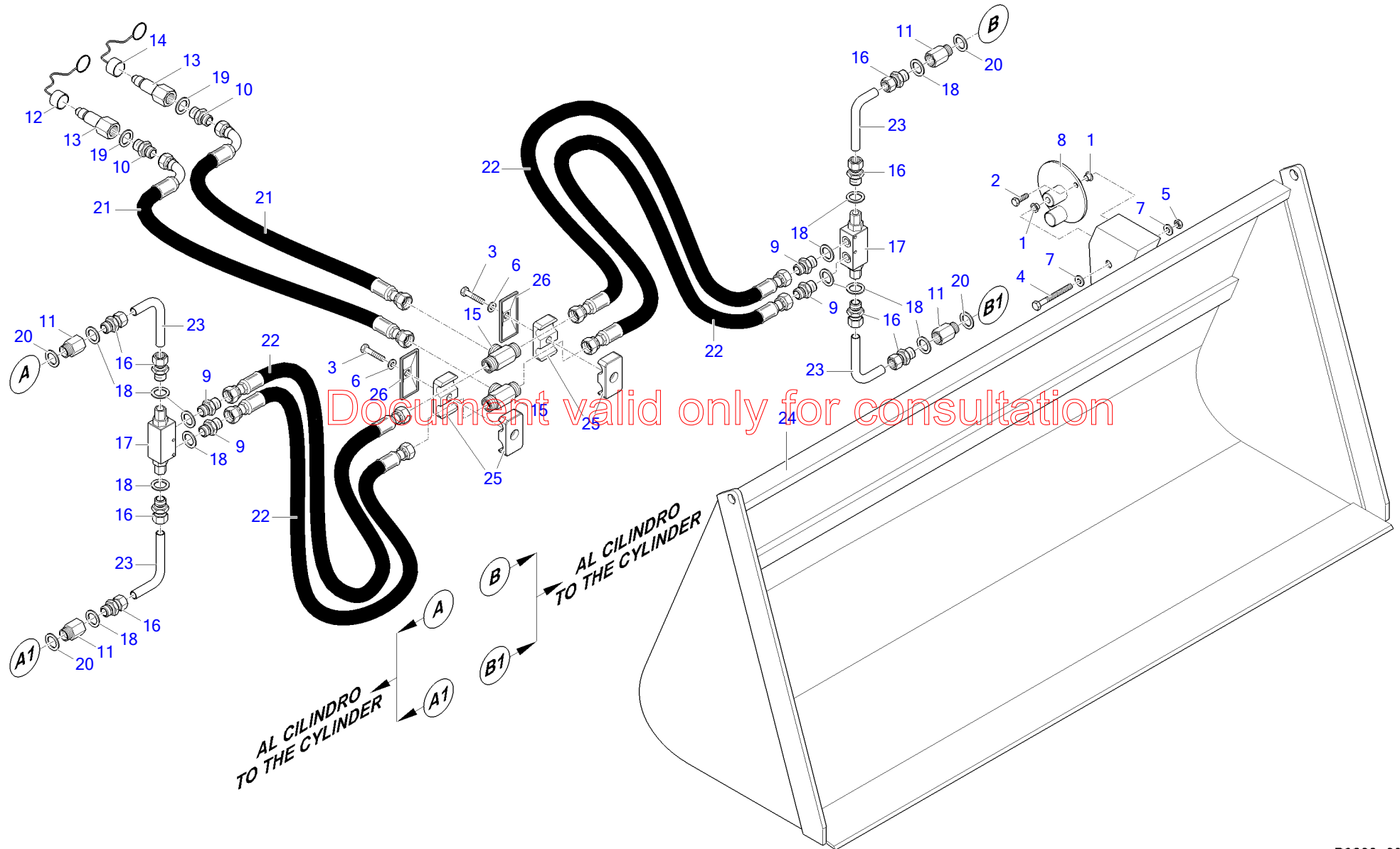
POS.	CODE	Q.TY	UNIT	DESCRIPTION
36	BHA1040	1		CURVE FITTING
37	BHE1308	1		VALVE
38	BKU4560	1		PIPE
39	BKU4750	1		PIPE
40	BRI4527/1	1		PIN
41	BUD4010	1		HOOK
42	BHG4730	1		WASHER
43	BHA0860	1		QUICK COUPLING
44	BHA0852	1		BLUE CAP
45	BHA0862	1		RED CAP

Document valid only for consultation



DESCRIPTION	REFERENCE	PAGE
4 IN 1 BUCKET, CAPACITY M³ 0.80 FULL SAE (L = 1.78 M) (BUB2491)	P2-00010_00	131
DIGGING BUCKET WITH TEETH AND TEETH PROTECTION (BUB2480)	P2-00020_00	132
DIGGING BUCKET WITH TEETH AND BLADE PROTECTOR (BUB2480/S)	P2-00030_00	133
DIGGING BUCKET WITHOUT TEETH WITH PROTECTION (BUB2481)	P2-00040_00	134
DIGGING BUCKET WITHOUT TEETH WITH BLADE PROTECTOR (BUB2481/S)	P2-00050_00	135
BUCKET FOR LIGHT MATERIALS, CAPACITY M³ 1.78 (BUB2489)	P2-00060_00	136
BUCKET FOR LIGHT MATERIALS, CAPACITY M³ 1.78 WITH BLADE PROTECTOR (BUB2489/S)	P2-00070_00	137
BUCKET FOR LIGHT MATERIALS WITH HOLDER (BUB2496)	P2-00080_00	138
MIXING BUCKET, YIELD L.250 (BUD3046)	P2-00090_00	139
MIXING BUCKET, YIELD L.250 (BUD3046)	P2-00100_00	140
MIXING BUCKET, YIELD L.250 (BUD3046)	P2-00110_00	141
SNOW PLOUGH L2.30 (BUD1155)	P2-00120_00	142
MIXING BUCKET, YIELD L.250 (BUD3061)	P2-00130_00	143
MIXING BUCKET, YIELD L.250 (BUD3061)	P2-00140_00	144
MIXING BUCKET, YIELD L.250 (BUD3061)	P2-00150_00	145
MIXING BUCKET, YIELD L.250 (BUD3061)	P2-00160_00	146

Document valid only for consultation



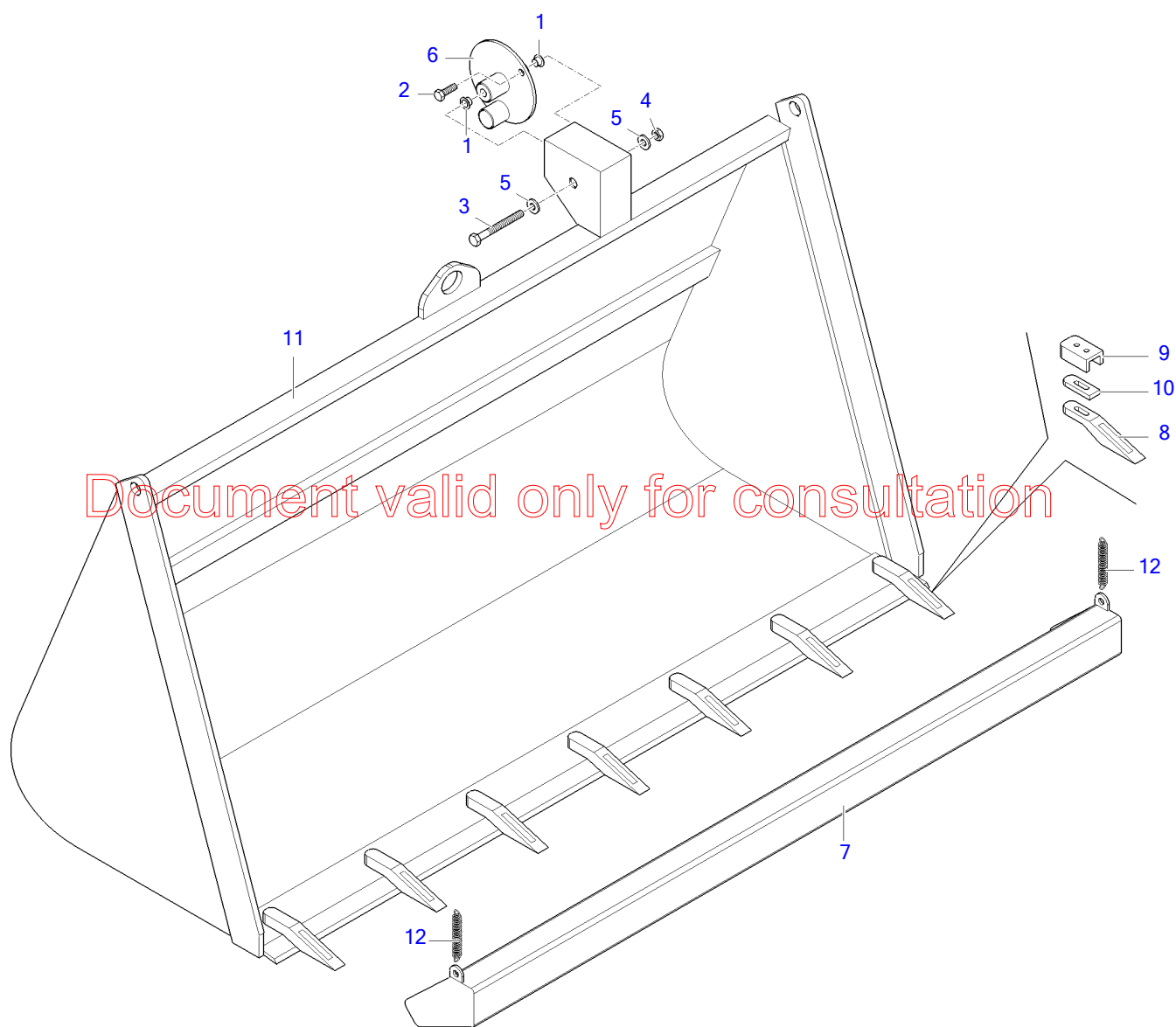


4 IN 1 BUCKET, CAPACITY M³ 0.80 FULL SAE (L = 1.78 M) (BUB2491)

Reference: p2-00010_00

POS.	CODE	Q.TY	UNIT	DESCRIPTION
1	BWR7202	1		BUSH
2	BAA7202	1		SCREW
3	BAA7208	1		SCREW
4	BAA7268	1		SCREW
5	BAG4118	1		NUT
6	BAL5112	1		WASHER
7	BAL5114	1		WASHER
8	BCN7564/CL	1		LEVELING DISC
9	BHA0103	1		NIPPLE
10	BHA0124	1		NIPPLE
11	BHA0568	1		COLUMN
12	BHA0852	1		BLUE CAP
13	BHA0860	1		QUICK COUPLING
14	BHA0862	1		RED CAP
15	BHA1611	1		3-WAY FITTING
16	BHA2103	1		NIPPLE
17	BHE1368	1		VALVE
18	BHG4723	1		WASHER
19	BHG4728	1		WASHER
20	BHG4730	1		WASHER
21	BKO4630	1		PIPE
22	BKO6630	1		PIPE
23	BLS2009/CL	1		PIPE
24	BUB2491/1	1		BUCKET
25	BWF1350	1		COLLAR
26	BWF1381	1		PLATE

Document valid only for consultation



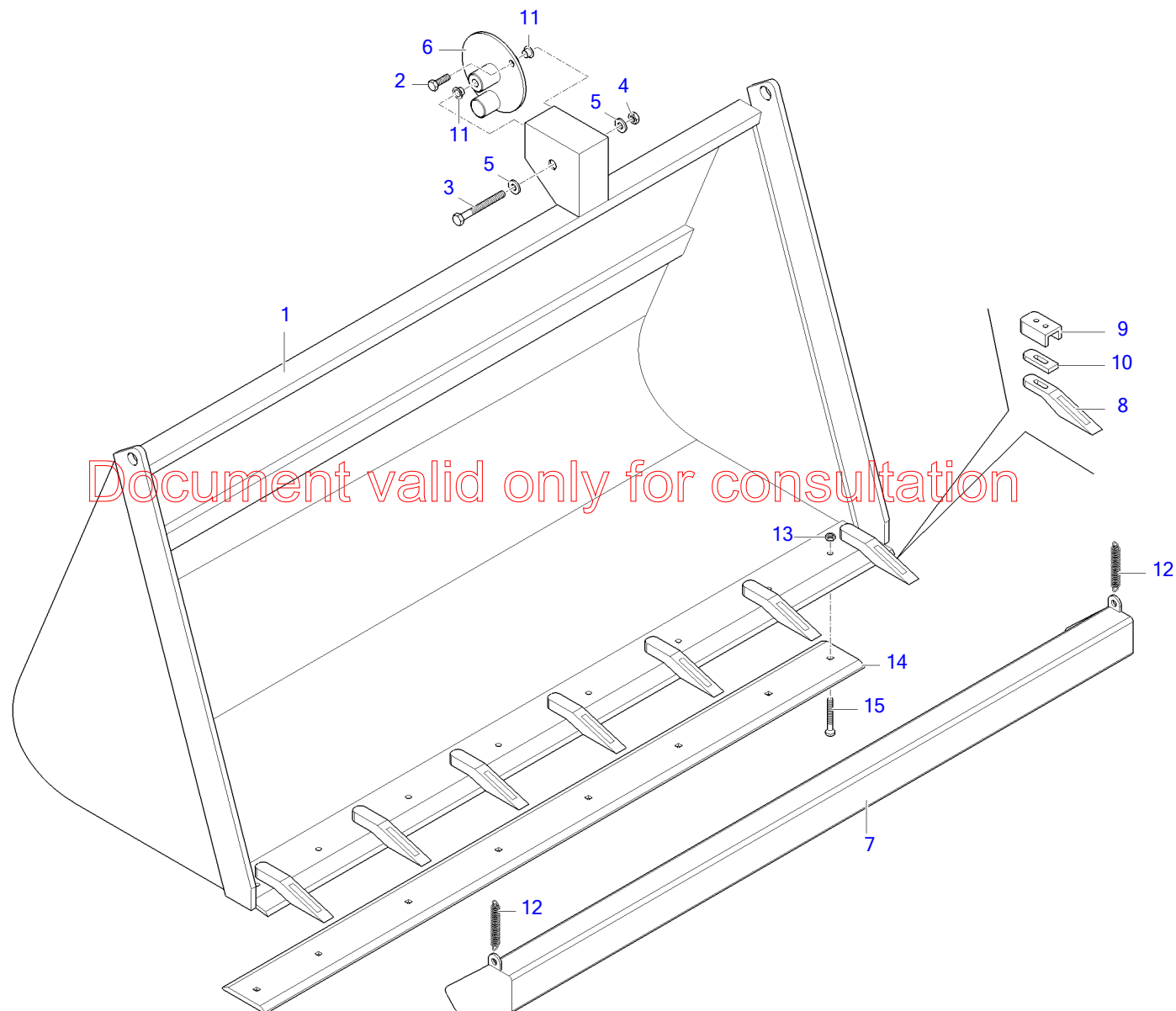


DIGGING BUCKET WITH TEETH AND TEETH PROTECTION (BUB2480)

Reference: p2-00020_00

POS.	CODE	Q.TY	UNIT	DESCRIPTION
1	BWR7202	1		BUSH
2	BAA7202	1		SCREW
3	BAA7268	1		SCREW
4	BAG4118	1		NUT
5	BAL5114	1		WASHER
6	BCN7564/CL	1		LEVELING DISC
7	BUB2337/CL	1		BLADE COVER
8	BUB2377	1		TOOTH
9	BUB2378	1		TOOTH HOLDER
10	BUB2379	1		TOOTH FASTENER
11	BUB2480/1	1		DIGGING BUCKET WITH TEETH
12	BWN2210	1		SPRING

Document valid only for consultation



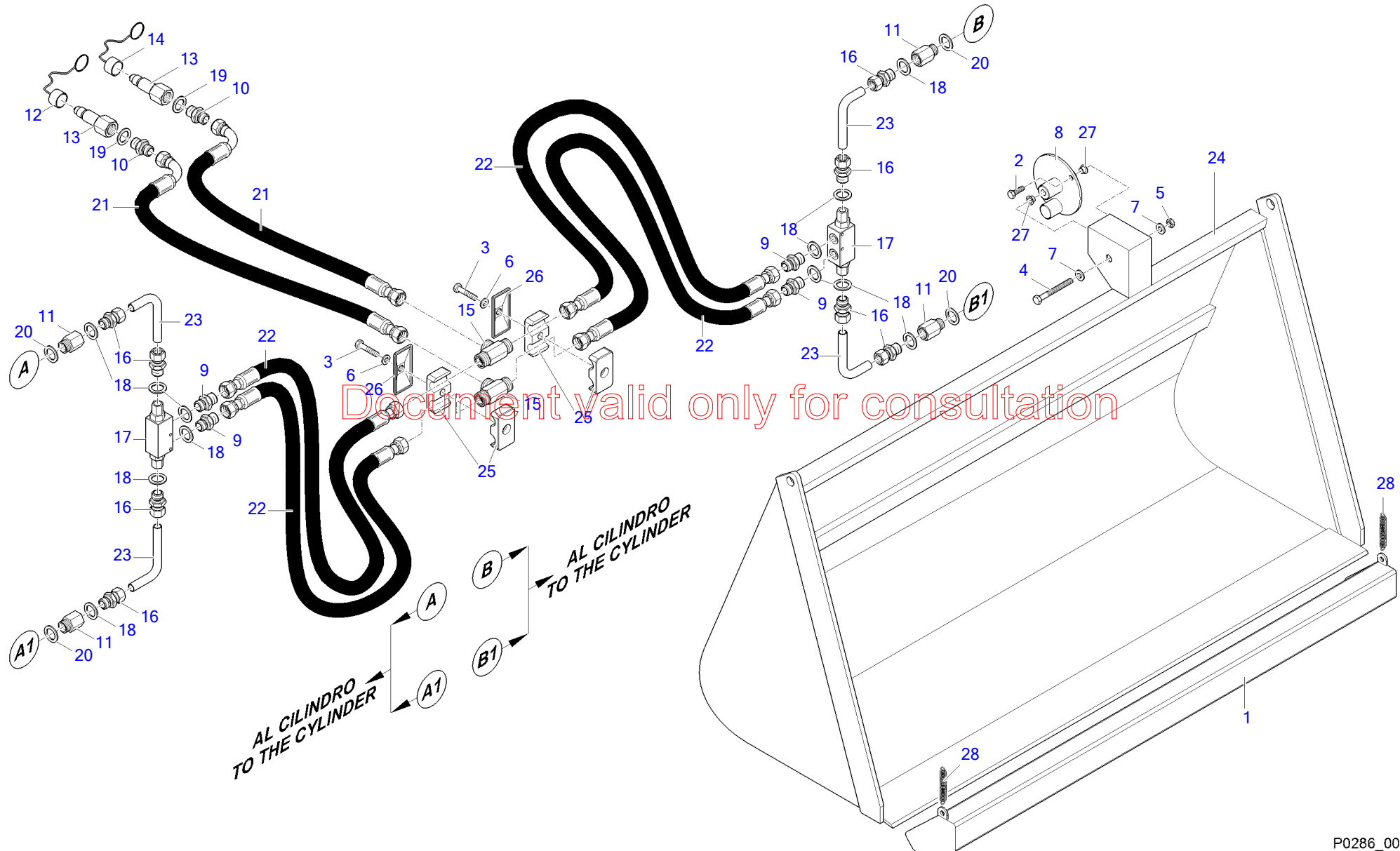


DIGGING BUCKET WITH TEETH AND BLADE PROTECTOR (BUB2480/S)

Reference: p2-00030_00

POS.	CODE	Q.TY	UNIT	DESCRIPTION
1	BUB2480/1	1		DIGGING BUCKET WITH TEETH
2	BAA7202	1		SCREW
3	BAA7268	1		SCREW
4	BAG4118	1		NUT
5	BAL5114	1		WASHER
6	BCN7564/CL	1		LEVELING DISC
7	BUB2337/CL	1		BLADE COVER
8	BUB2377	1		TOOTH
9	BUB2378	1		TOOTH HOLDER
10	BUB2379	1		TOOTH FASTENER
11	BWR7202	1		BUSH
12	BWN2210	1		SPRING
13	BUB2373	1		NUT
14	BUB2344	1		ANTI-WEAR BLADE
15	BUB2581	1		SCREW

Document valid only for consultation



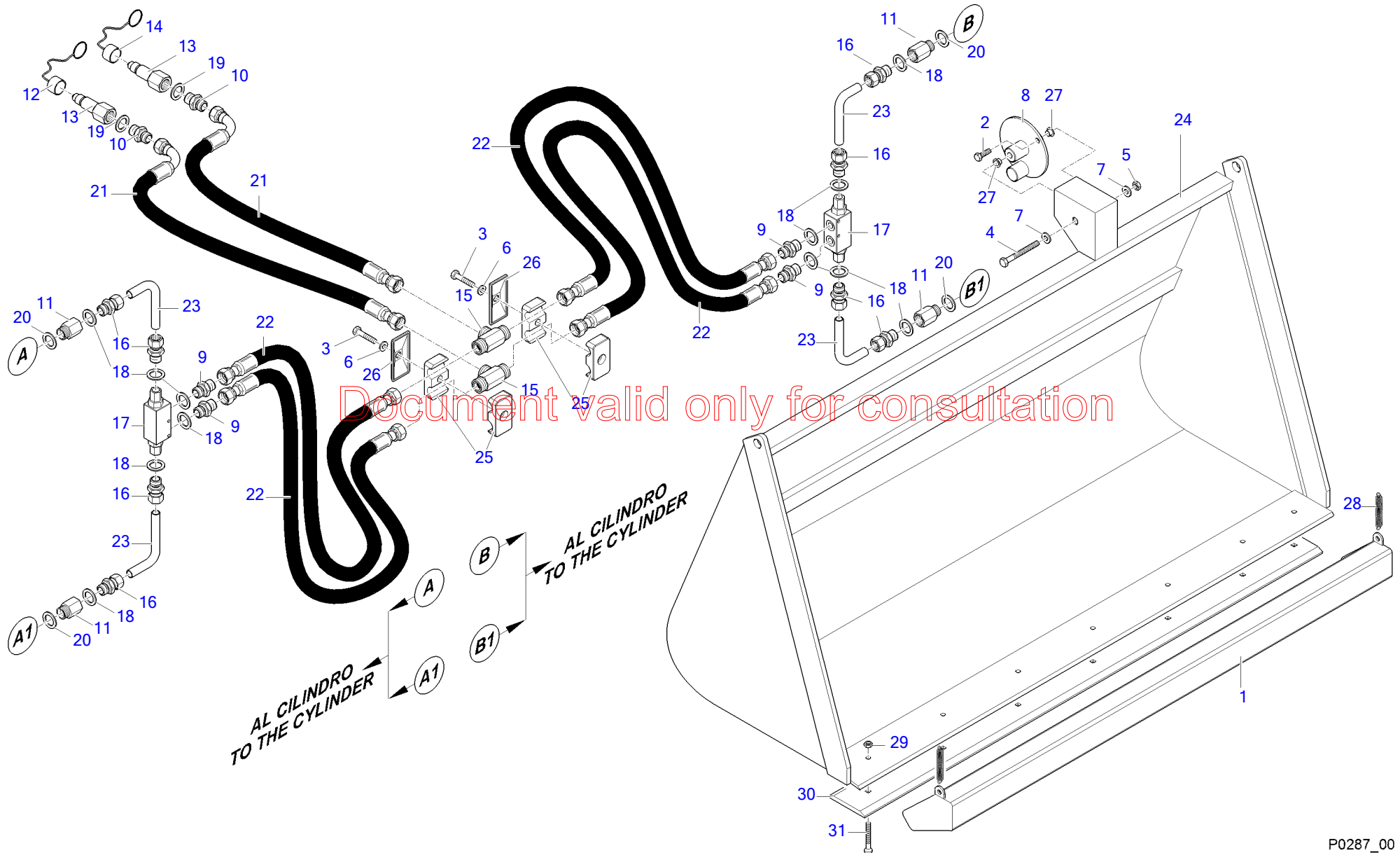


DIGGING BUCKET WITHOUT TEETH WITH PROTECTION (BUB2481)

Reference: p2-00040_00

POS.	CODE	Q.TY	UNIT	DESCRIPTION
1	BUB2337/CL	1		BLADE COVER
2	BAA7202	1		SCREW
3	BAA7208	1		SCREW
4	BAA7268	1		SCREW
5	BAG4118	1		NUT
6	BAL5112	1		WASHER
7	BAL5114	1		WASHER
8	BCN7564/CL	1		LEVELING DISC
9	BHA0103	1		NIPPLE
10	BHA0124	1		NIPPLE
11	BHA0568	1		COLUMN
12	BHA0852	1		BLUE CAP
13	BHA0860	1		QUICK COUPLING
14	BHA0862	1		RED CAP
15	BHA1611	1		3-WAY FITTING
16	BHA2103	1		NIPPLE
17	BHE1368	1		VALVE
18	BHG4723	1		WASHER
19	BHG4728	1		WASHER
20	BHG4730	1		WASHER
21	BKO4630	1		PIPE
22	BKO6630	1		PIPE
23	BLS2009/CL	1		PIPE
24	BUB2481/1	1		BUCKET
25	BWF1350	1		COLLAR
26	BWF1381	1		PLATE
27	BWR7202	1		BUSH
28	BWN2210	1		SPRING

Document valid only for consultation



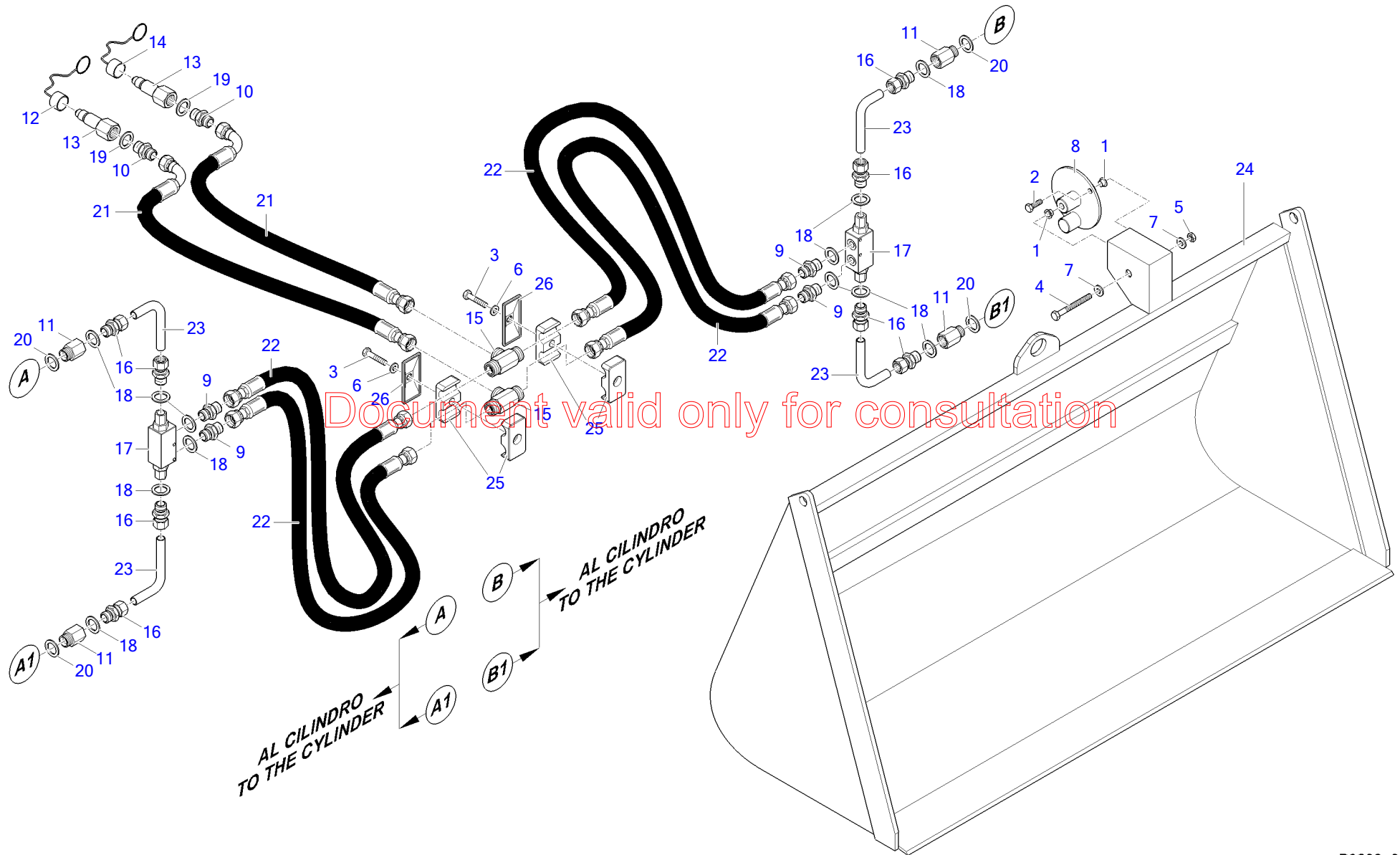


DIGGING BUCKET WITHOUT TEETH WITH BLADE PROTECTOR (BUB2481/S)

Reference: p2-00050_00

POS.	CODE	Q.TY	UNIT	DESCRIPTION
1	BUB2337/CL	1		BLADE COVER
2	BAA7202	1		SCREW
3	BAA7208	1		SCREW
4	BAA7268	1		SCREW
5	BAG4118	1		NUT
6	BAL5112	1		WASHER
7	BAL5114	1		WASHER
8	BCN7564/CL	1		LEVELING DISC
9	BHA0103	1		NIPPLE
10	BHA0124	1		NIPPLE
11	BHA0568	1		COLUMN
12	BHA0852	1		BLUE CAP
13	BHA0860	1		QUICK COUPLING
14	BHA0862	1		RED CAP
15	BHA1611	1		3-WAY FITTING
16	BHA2103	1		NIPPLE
17	BHE1368	1		VALVE
18	BHG4723	1		WASHER
19	BHG4728	1		WASHER
20	BHG4730	1		WASHER
21	BKO4630	1		PIPE
22	BKO6630	1		PIPE
23	BLS2009/CL	1		PIPE
24	BUB2481/1	1		BUCKET
25	BWF1350	1		COLLAR
26	BWF1381	1		PLATE
27	BWR7202	1		BUSH
28	BWN2210	1		SPRING
29	BUB2373	1		NUT
30	BUB2344	1		ANTI-WEAR BLADE
31	BUB2581	1		SCREW

Document valid only for consultation



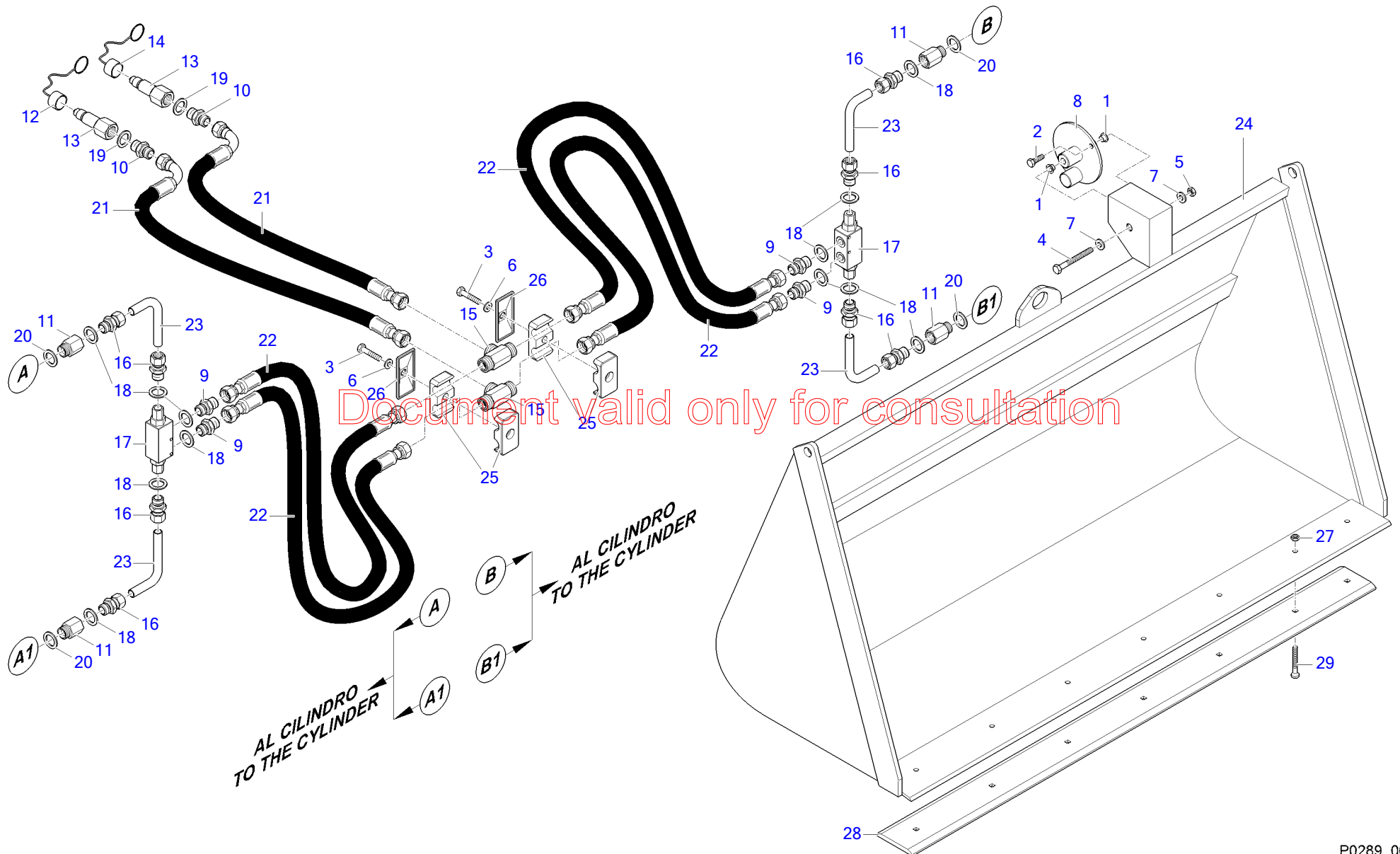


BUCKET FOR LIGHT MATERIALS, CAPACITY M³ 1.78 (BUB2489)

Reference: p2-00060_00

POS.	CODE	Q.TY	UNIT	DESCRIPTION
1	BWR7202	1		BUSH
2	BAA7202	1		SCREW
3	BAA7208	1		SCREW
4	BAA7268	1		SCREW
5	BAG4118	1		NUT
6	BAL5112	1		WASHER
7	BAL5114	1		WASHER
8	BCN7564/CL	1		LEVELING DISC
9	BHA0103	1		NIPPLE
10	BHA0124	1		NIPPLE
11	BHA0568	1		COLUMN
12	BHA0852	1		BLUE CAP
13	BHA0860	1		QUICK COUPLING
14	BHA0862	1		RED CAP
15	BHA1611	1		3-WAY FITTING
16	BHA2103	1		NIPPLE
17	BHE1368	1		VALVE
18	BHG4723	1		WASHER
19	BHG4728	1		WASHER
20	BHG4730	1		WASHER
21	BKO4630	1		PIPE
22	BKO6630	1		PIPE
23	BLS2009/CL	1		PIPE
24	BUB2489/1	1		BUCKET
25	BWF1350	1		COLLAR
26	BWF1381	1		PLATE

Document valid only for consultation



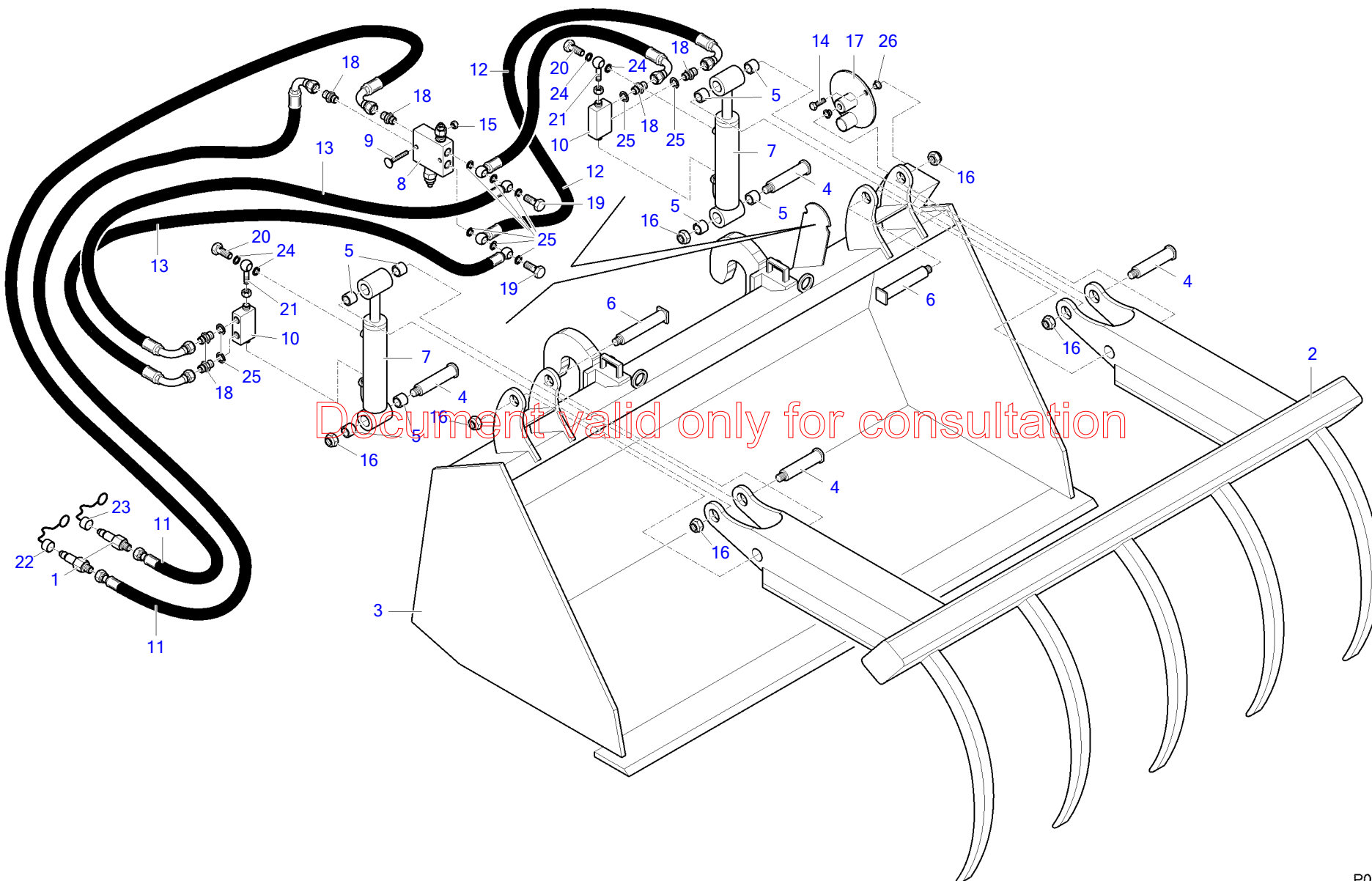


**BUCKET FOR LIGHT MATERIALS, CAPACITY M³ 1.78 WITH BLADE PROTECTOR
(BUB2489/S)**

Reference: p2-00070_00

POS.	CODE	Q.TY	UNIT	DESCRIPTION
1	BWR7202	1		BUSH
2	BAA7202	1		SCREW
3	BAA7208	1		SCREW
4	BAA7268	1		SCREW
5	BAG4118	1		NUT
6	BAL5112	1		WASHER
7	BAL5114	1		WASHER
8	BCN7564/CL	1		LEVELING DISC
9	BHA0103	1		NIPPLE
10	BHA0124	1		NIPPLE
11	BHA0568	1		COLUMN
12	BHA0852	1		BLUE CAP
13	BHA0860	1		QUICK COUPLING
14	BHA0862	1		RED CAP
15	BHA1611	1		3-WAY FITTING
16	BHA2103	1		NIPPLE
17	BHE1368	1		VALVE
18	BHG4723	1		WASHER
19	BHG4728	1		WASHER
20	BHG4730	1		WASHER
21	BKO4630	1		PIPE
22	BKO6630	1		PIPE
23	BLS2009/CL	1		PIPE
24	BUB2489/1	1		BUCKET
25	BWF1350	1		COLLAR
26	BWF1381	1		PLATE
27	BUB2373	1		NUT
28	BUB2343	1		ANTI-WEAR BLADE
29	BUB2581	1		SCREW

Document valid only for consultation



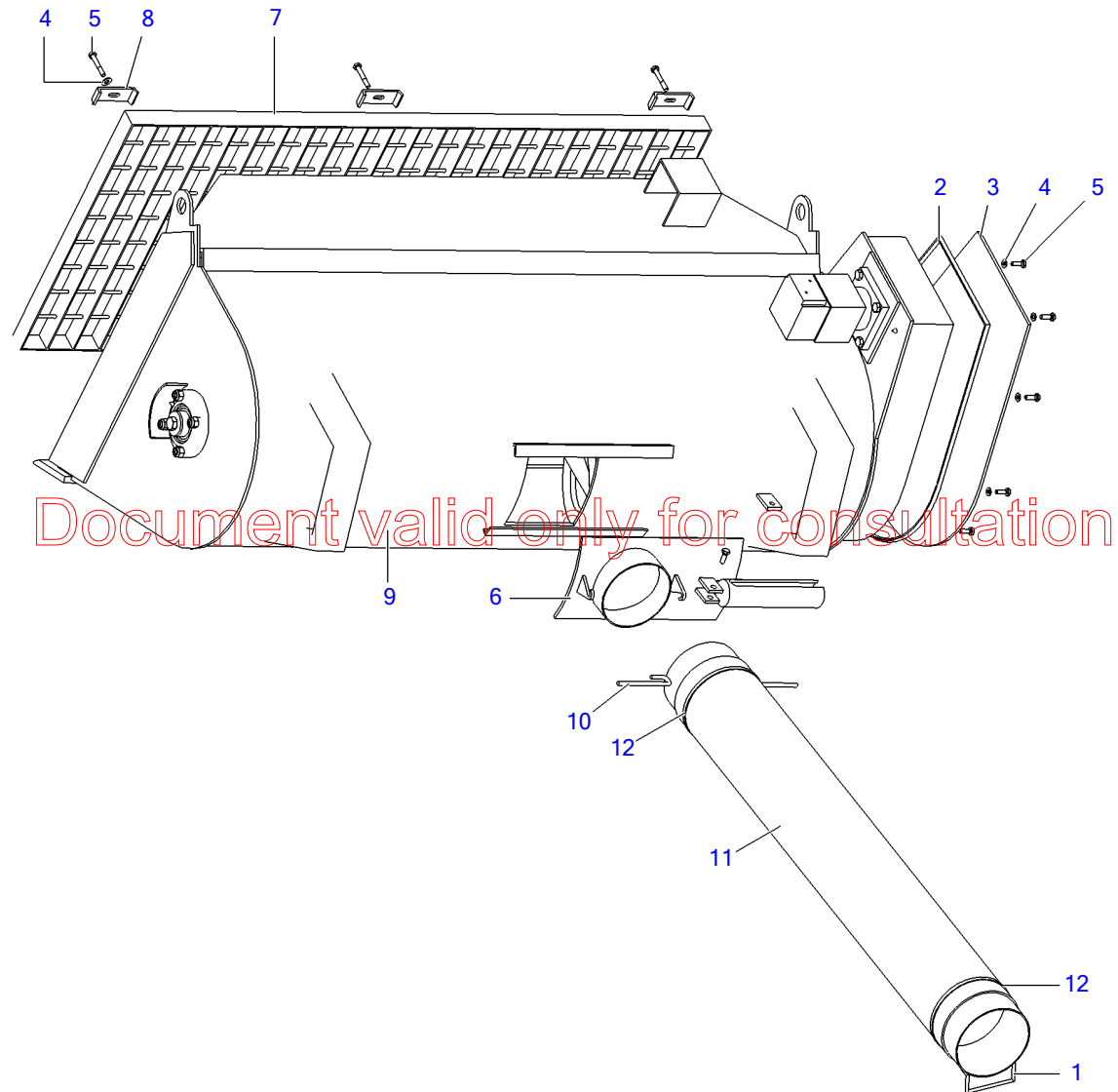


BUCKET FOR LIGHT MATERIALS WITH HOLDER (BUB2496)

Reference: p2-00080_00

POS.	CODE	Q.TY	UNIT	DESCRIPTION
1	5P.DRPT027	1		LINKAGE
2	5P.DRPT002-180	1		RETAINER
3	5P-DRPT003-180	1		BUCKET
4	5P.DRPT004	1		PIN
5	5P.DRPT005	1		BUSH
6	5P.DRPT006	1		PIN
7	5P.CIL01001140	1		CYLINDER
8	5P.VMA01001	1		VALVE
9	5P.VTQ08003	1		SCREW
10	5P.VRI01001	1		VALVE
11	5P.DRPT011-180	1		PIPE
12	5P.DRPT012-180	1		PIPE
13	5P.DRPT013-180	1		PIPE
14	BAA7202	1		SCREW
15	BAG4152	1		NUT
16	BAG4160	1		NUT
17	BCN7564/CL	1		LEVELING DISC
18	BHA0118	1		NIPPLE
19	5P.RACOC003	1		DOUBLE PERFORATED SCREW
20	BHA0408	1		PERFORATED SCREW
21	BHA0460	1		EYELET FITTING
22	BHA0852	1		BLUE CAP
23	BHA0862	1		RED CAP
24	BHG4723	1		WASHER
25	BHG4724	1		WASHER
26	BWR7202	1		BUSH

Document valid only for consultation



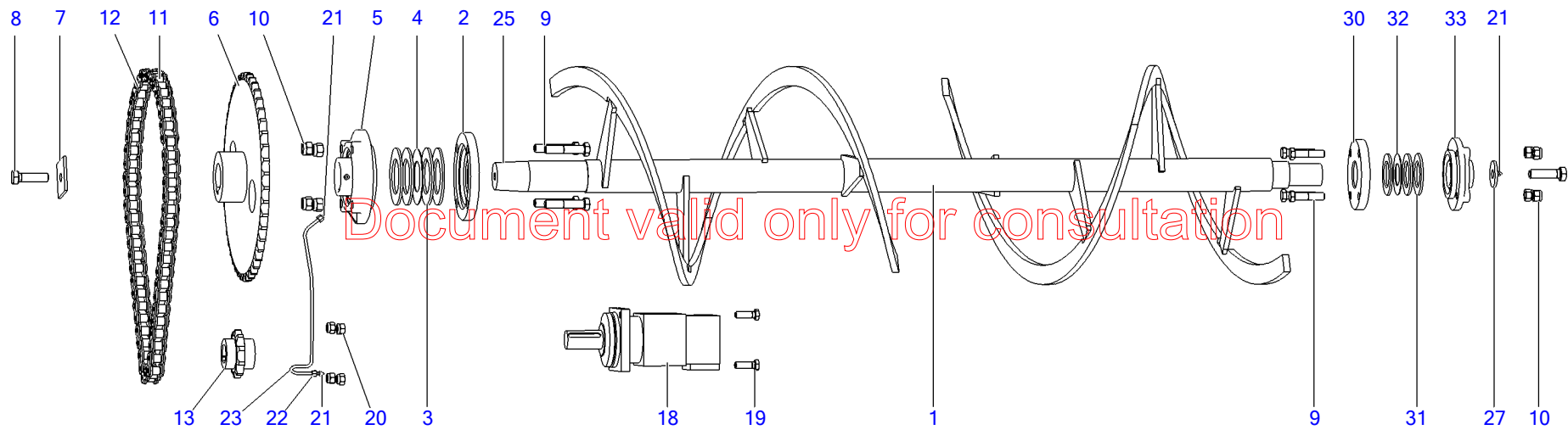


MIXING BUCKET, YIELD L.250 (BUD3046)

Reference: p2-00090_00

POS.	CODE	Q.TY	UNIT	DESCRIPTION
1	8S.008113	1		LOWER TERMINAL
2	8S.008102	1		GASKET
3	8S.008103	1		HOUSING
4	BAL5114	1		WASHER
5	BAA7253	1		SCREW
6	8S.008106	1		EXHAUST OPENING
7	8S.008107	1		GRID
8	8S.008108	1		BRACKET
9	8S.008101	1		CALENDER REINFORCEMENT
10	8S.008110	1		UPPER TERMINAL
11	8S.008111	1		PIPE
12	8S.008112	1		CLAMP

Document valid only for consultation



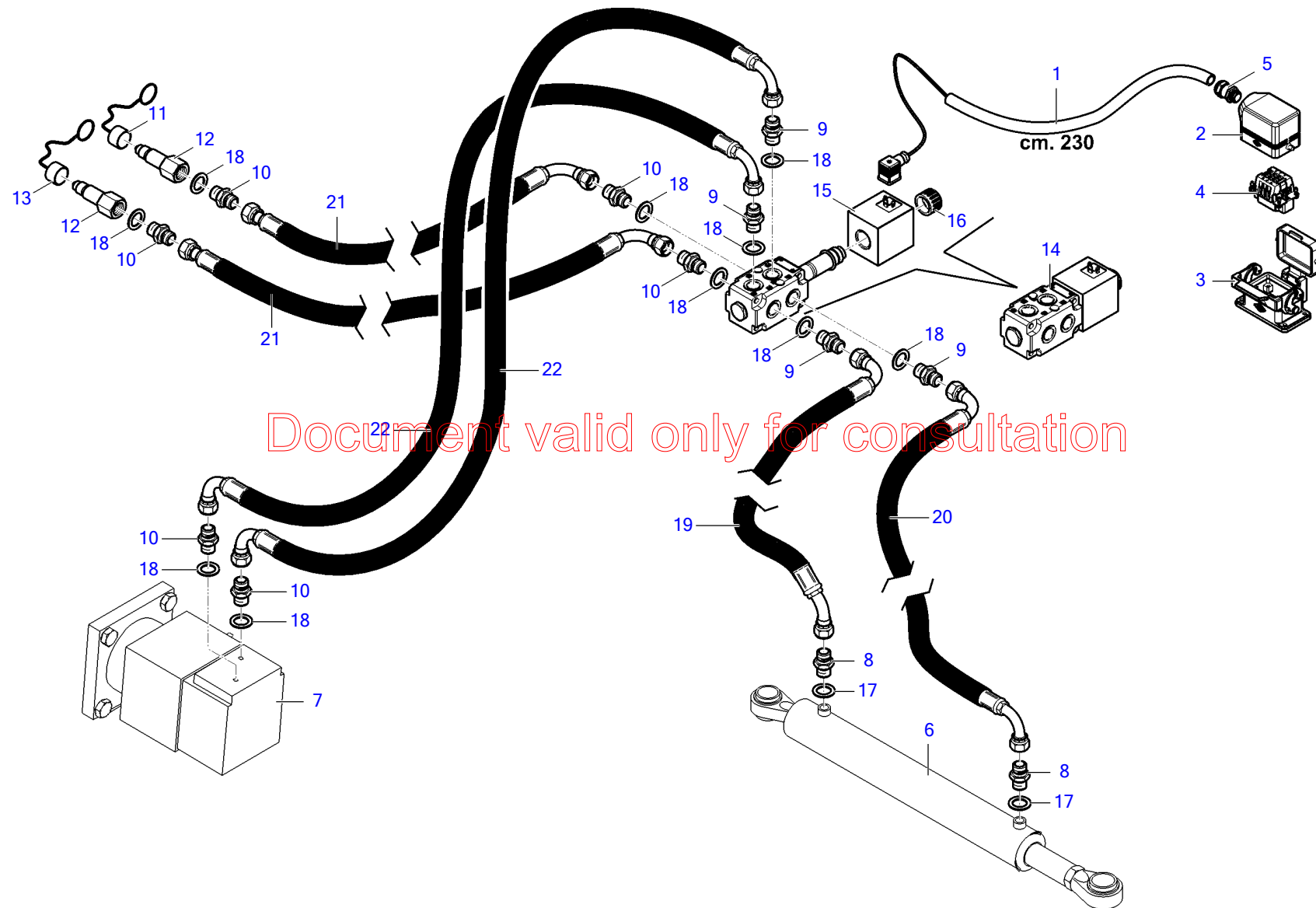


MIXING BUCKET, YIELD L.250 (BUD3046)

Reference: p2-00100_00

POS.	CODE	Q.TY	UNIT	DESCRIPTION
1	8S.008201	1		ARCHIMEDIAN SCREW
2	8S.008202	1		FLANGE
3	8S.008203	1		GASKET
4	8S.008204	1		RING
5	8S.008205	1		SUPPORT
6	8S.008206	1		TOOTHED CROWN
7	8S.008207	1		WASHER
8	BAA7408	1		SCREW
9	BAA7413	1		SCREW
10	BAG4121	1		NUT
11	8S.008211	1		CHAIN
12	8S.008212	1		CHAIN MESH
13	8S.008213	1		PINION
18	8S.008218	1		ENGINE
19	BAA7306	1		SCREW
20	BW11119	1		LUBRICATOR
21	8S.008221	1		LUBRICATOR
22	8S.008222	1		FITTING
23	8S.008223	1		PIPE
25	8S.008225	1		TAB
27	8S.008227	1		WASHER
30	8S.008230	1		FLANGE
31	8S.008231	1		GASKET
32	8S.008232	1		SEALING RING
33	8S.008233	1		SUPPORT

Document valid only for consultation



Document valid only for consultation

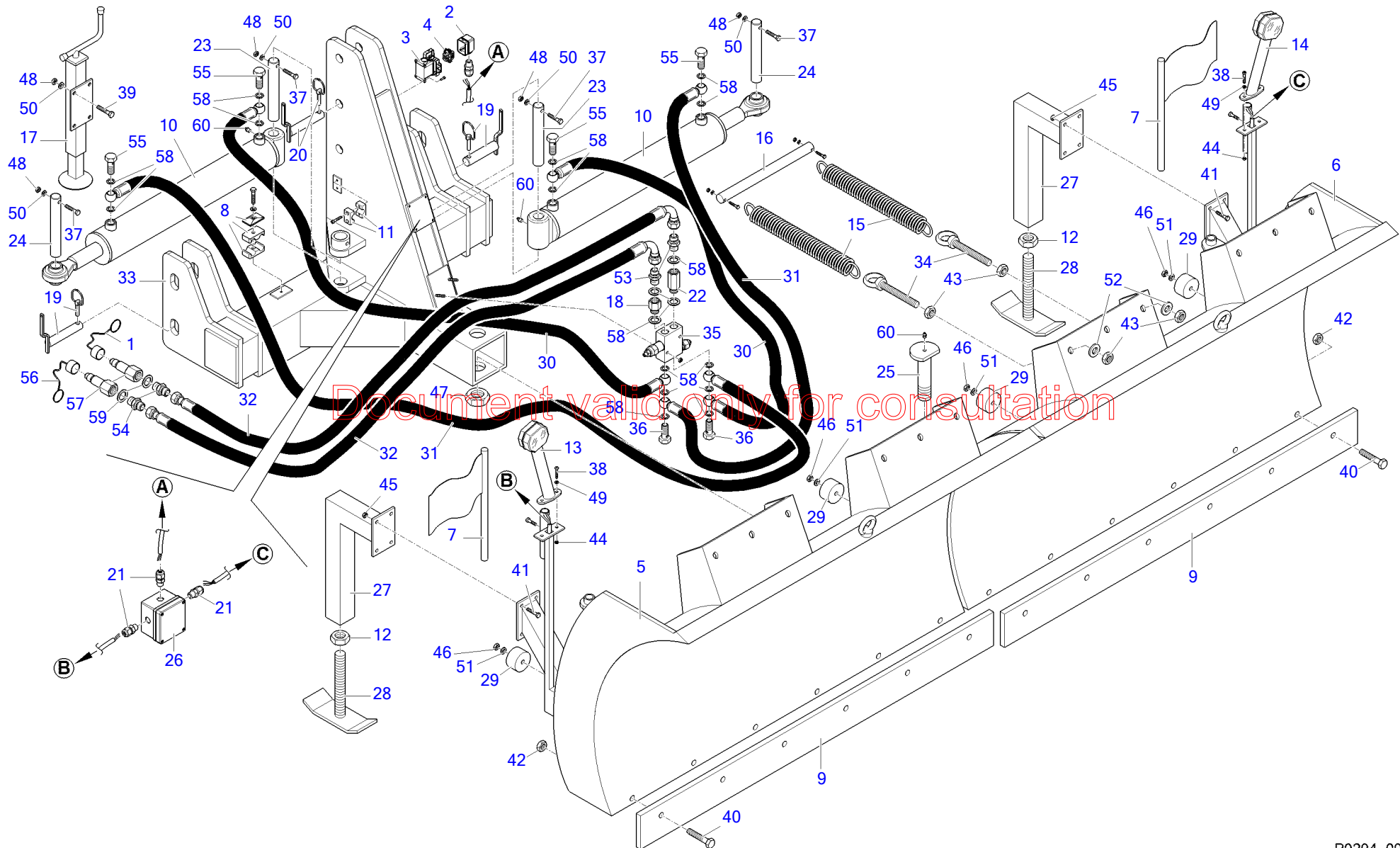


MIXING BUCKET, YIELD L.250 (BUD3046)

Reference: p2-00110_00

POS.	CODE	Q.TY	UNIT	DESCRIPTION
1	BWB0120-3	1		SHEATH
2	1P.ILMCH006L13	1		MOVABLE HOUSING
3	1P.ILMCHI06LS	1		SOCKET
4	1P.ILMCNM06	1		ELECTRICAL PLUG 6
5	1P.REI53015040	1		CABLE GLAND
6	8S.007401	1		CYLINDER
7	8S.008416	1		ENGINE
8	BHA0101	1		NIPPLE
9	BHA0104	1		NIPPLE
10	BHA0128	1		NIPPLE
11	BHA0852	1		BLUE CAP
12	BHA0860	1		QUICK COUPLING
13	BHA0862	1		RED CAP
14	BHB3162	1		SELECTOR
15	SATKS0000004	1		COIL KIT (INCLUDING OR)
16	BHE1431/LC	1		RING NUT
17	BHG4723	1		WASHER
18	BHG4730	1		WASHER
19	BKF5620	1		PIPE
20	BKF5630	1		PIPE
21	BKU4750	1		PIPE
22	BKU5555	1		PIPE

Document valid only for consultation





SNOW PLOUGH L2.30 (BUD1155)

Reference: p2-00120_00

POS.	CODE	Q.TY	UNIT	DESCRIPTION
1	BHA0862	1		RED CAP
2	1P.ILMCH006L13	1		MOVABLE HOUSING
3	1P.ILMCHP06LS	1		WALL HOUSING
4	1P.ILMCNF06	1		SOCKET
5	6B.ADX1250	1		RIGHT AILERON
6	6B.ASX1250	1		LEFT AILERON
7	6B.BAN0001	1		SIGNAL FLAG
8	6B.CD0016	1		CLAMP
9	6B.CIA1250	1		BLADE
10	6B.CIL7045	1		CYLINDER
11	6B.CS0016	1		CLAMP
12	6B.DAZ0029	1		NUT
13	6B.LIDX0001	1		RH END OUTLINE MARKER LAMPS
14	6B.LISX0002	1		LH END OUTLINE MARKER LAMPS
15	6B.MT1060	1		SPRING
16	6B.PAM0030	1		PIN
17	6B.PAO0401	1		SUPPORT FOOT
18	6B.PC0038	1		COLUMN
19	6B.PCP0028	1		PIN
20	6B.PCT0026	1		PIN
21	6B.PG13	1		CABLE GLAND
22	6B.PL0038	1		COLUMN
23	6B.PLF0035	1		PIN
24	6B.PLS0035	1		PIN
25	6B.PRT0050	1		PIN
26	6B.SDI0001	1		JUNCTION BOX
27	6B.SMS0001	1		SUPPORT
28	6B.SRA0039	1		SLIDE
29	6B.TAM0012	1		STOPPER
30	6B.TIC0001	1		PIPE
31	6B.TIL0003	1		PIPE
32	6B.TIT0002	1		PIPE
33	6B.TL0001	1		DRAWBAR
34	6B.TMZ0018	1		TIE ROD
35	6B.VA0038	1		VALVE

Document valid only for consultation

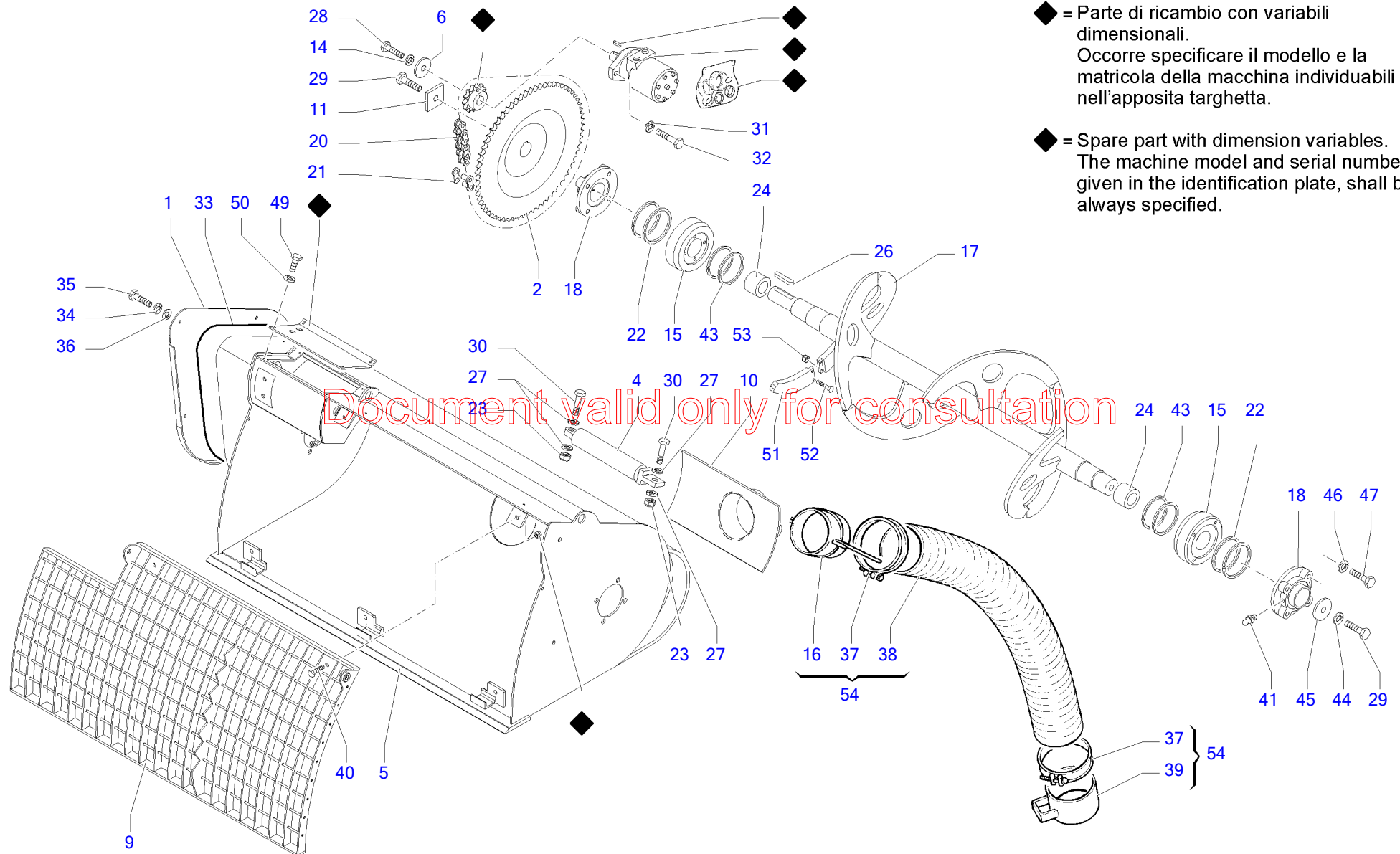


SNOW PLOUGH L2.30 (BUD1155)

Reference: p2-00120_00

POS.	CODE	Q.TY	UNIT	DESCRIPTION
36	6B.VFL0038	1		DOUBLE PERFORATED SCREW
37	BAA4308	1		SCREW
38	BAA7153	1		SCREW
39	BAA7254	1		SCREW
40	BAA7308	1		SCREW
41	BAA7354	1		SCREW
42	BAG2104	1		NUT
43	BAG2107	1		NUT
44	BAG4101	1		NUT
45	BAG4105	1		NUT
46	BAG4154	1		NUT
47	BAG4163	1		NUT
48	BAG8012	1		NUT
49	BAL5110	1		WASHER
50	BAL5114	1		WASHER
51	BAL5116	1		WASHER
52	BAL5121	1		WASHER
53	BHA0118	1		NIPPLE
54	BHA0124	1		NIPPLE
55	BHA0402	1		PERFORATED SCREW
56	BHA0852	1		BLUE CAP
57	BHA0860	1		QUICK COUPLING
58	BHG4724	1		WASHER
59	BHG4728	1		WASHER
60	BW11119	1		LUBRICATOR

Document valid only for consultation





MIXING BUCKET, YIELD L.250 (BUD3061)

Reference: p2-00130_00

POS.	CODE	Q.TY	UNIT	DESCRIPTION
1	1U-3154012000100	1		COVER
2	1U-6025030100299	1		CROWN
4	1U-7101070000100	1		HYDRAULIC PISTON
5	1U-3150001000212	1		BUCKET WITHOUT COUPLING
6	1U-6016080060116	1		WASHER
9	1U-31530010000AA	1		PROTECTIVE GRILL
10	1U-3152000501001	1		BYPASS VALVE
11	1U-7000010120304	1		RIM FASTENER PLATE
14	1U-4032008000235	1		WASHER
15	1U-6200000000769	1		FLANGE
16	1U-3157000100000	1		EXHAUST PIPE COUPLING
17	1U-3151011801101	1		ARCHIMEDIAN SCREW
18	1U-4070050010000	1		SUPPORT
20	1U-4191010630199	1		CHAIN
21	1U-4192010010099	1		CHAINJUNCTION MESH
22	1U-7038008080080	1		PACKING
23	1U-4016016000205	1		NUT
24	1U-6015015006569	1		BUSH
26	1U-4043140905002	1		ARCHIMEDIAN SCREW TAB
27	1U-4030016000205	1		WASHER
28	1U-4001008030210	1		SCREW
29	1U-4001016040210	1		SCREW
30	1U-4001016060210	1		SCREW
31	1U-4032012000235	1		WASHER
32	1U-4001012035210	1		SCREW
33	1U-4254000100002	1		TRANSMISSION GURD SHEATH
34	1U-4032008000235	1		WASHER
35	1U-4001008025210	1		SCREW
36	1U-4030008000205	1		WASHER
37	1U-4250021422600	1		HOSE CLAMP
38	1U-4235020000000	1		EXHAUST PIPE
39	1U-3158000200000	1		HANDLE
40	1U-4001014030210	1		SCREW
41	1U-4041006000131	1		MALE LUBRICATOR
43	1U-4123060070060	1		GASKET

Document valid only for consultation

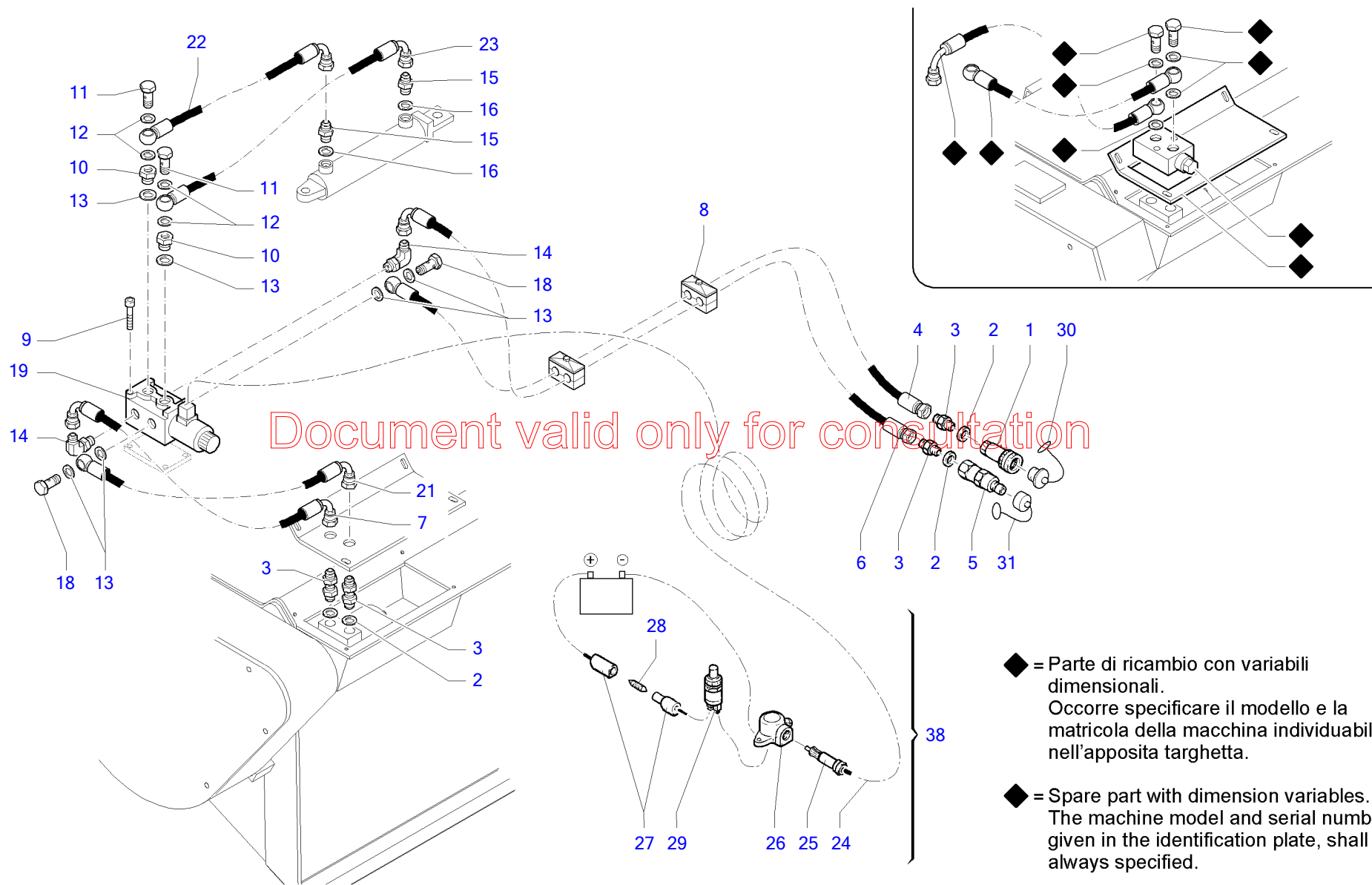


MIXING BUCKET, YIELD L.250 (BUD3061)

Reference: p2-00130_00

POS.	CODE	Q.TY	UNIT	DESCRIPTION
44	1U-4032016000235	1		WASHER
45	1U-6090000000569	1		COVER
46	1U-4032014000235	1		WASHER
47	1U-4001014050210	1		SCREW
49	1U-4001006016210	1		SCREW
50	1U-4032006018205	1		WASHER
51	1U-70000B0127017	1		BLADE SECTION
52	1U-4001010035210	1		SCREW
53	1U-4016010000205	1		NUT
54	1U-2050015000200	1		EXHAUST PIPE KIT

Document valid only for consultation



Document valid only for consultation

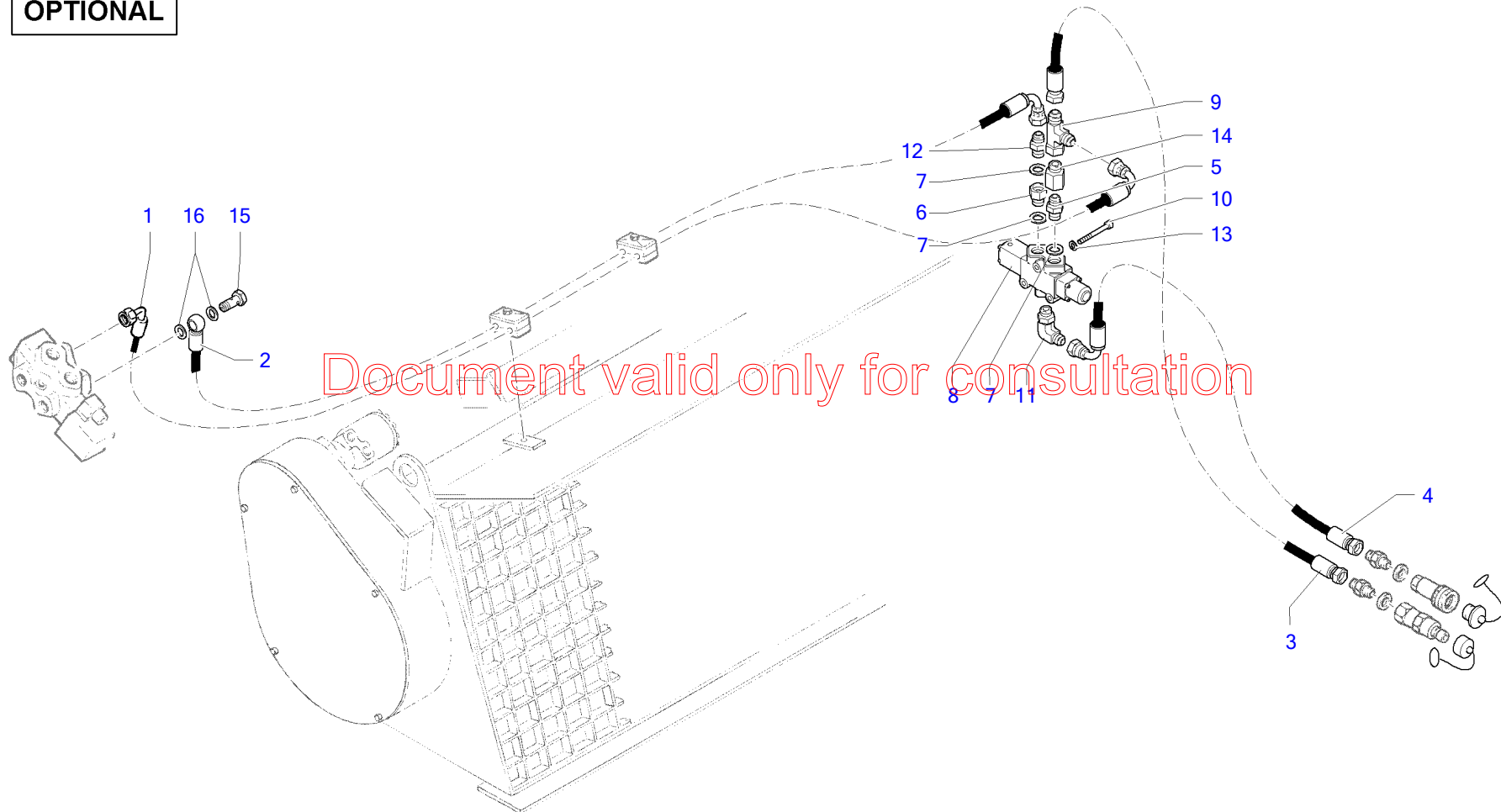


MIXING BUCKET, YIELD L.250 (BUD3061)

Reference: p2-00140_00

POS.	CODE	Q.TY	UNIT	DESCRIPTION
1	1U-4150000343100	1		FEMALE QUICK COUPLING
2	1U-4120000012000	1		WASHER
3	1U-4206012005310	1		FITTING
4	1U-5246480483453	1		HOSE
5	1U-4150000343000	1		MALE QUICK COUPLING
6	1U-5242050483403	1		HOSE
7	1U-5242057480452	1		HOSE
8	1U-4231000002501	1		CLAMP
9	1U-4005006035210	1		SCREW
10	1U-4206012500900	1		FITTING
11	1U-4207011001200	1		PERFORATED SCREW
12	1U-4120000012000	1		WASHER
13	1U-4120000012000	1		WASHER
14	1U-4200020101801	1		FITTING
15	1U-4200010100901	1		FITTING
16	1U-4120000014000	1		GASKET
18	1U-4207011001200	1		PERFORATED SCREW
19	1U-4140000000000	1		SOLENOID VALVE
21	1U-5246487480452	1		HOSE
22	1U-5216462030612	1		HOSE
23	1U-5216462030792	1		HOSE
24	1U-4290060000000	1		ELECTRICAL CABLE
25	1U-4290020000000	1		PIN
26	1U-4290010000000	1		SOCKET
27	1U-4290000000000	1		FUSE BOX
28	1U-4290030080000	1		FUSE
29	1U-4290040000000	1		SWITCH
30	1U-4280100343000	1		PLUG
31	1U-4280100343100	1		PLUG
38	1U-2190000000000	1		ELECTRIC KIT

Document valid only for consultation

OPTIONAL

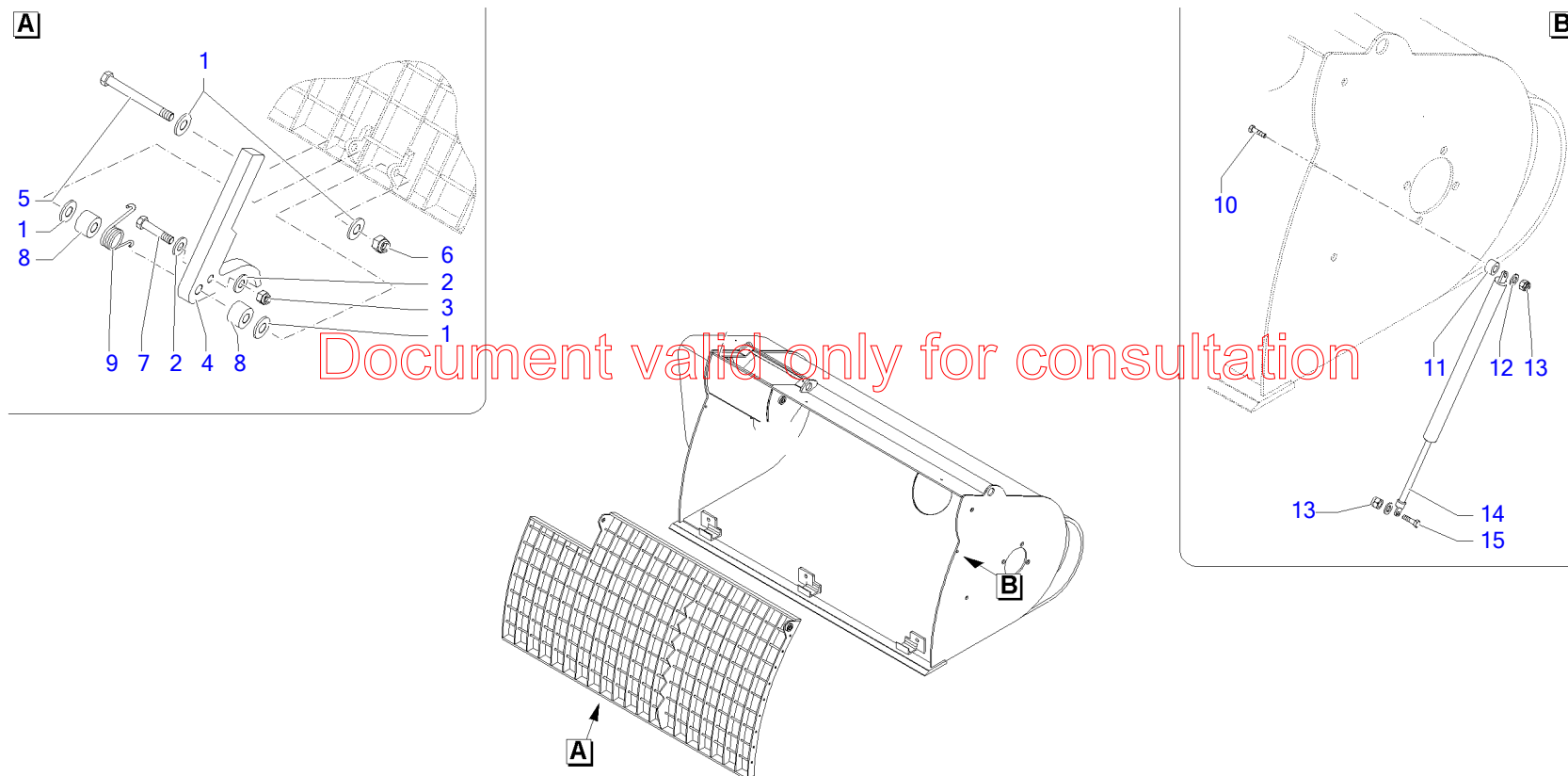


MIXING BUCKET, YIELD L.250 (BUD3061)

Reference: p2-00150_00

POS.	CODE	Q.TY	UNIT	DESCRIPTION
1	1U-5242052051703	1		HOSE
2	1U-5242056481643	1		HOSE
3	1U-5242050481603	1		HOSE
4	1U-5242050481503	1		HOSE
5	1U-4206012305300	1		FITTING
6	1U-4206012205300	1		FITTING
7	1U-4120000012000	1		WASHER
8	1U-4156010001210	1		VALVE
9	1U-4200035301500	1		FITTING
10	1U-4001008060210	1		SCREW
11	1U-4200020101601	1		FITTING
12	1U-4206012005310	1		FITTING
13	1U-4032008000235	1		WASHER
14	1U-4206012305300	1		FITTING
15	1U-4207011001200	1		PERFORATED SCREW
16	1U-4120000012000	1		WASHER

Document valid only for consultation





MIXING BUCKET, YIELD L.250 (BUD3061)

Reference: p2-00160_00

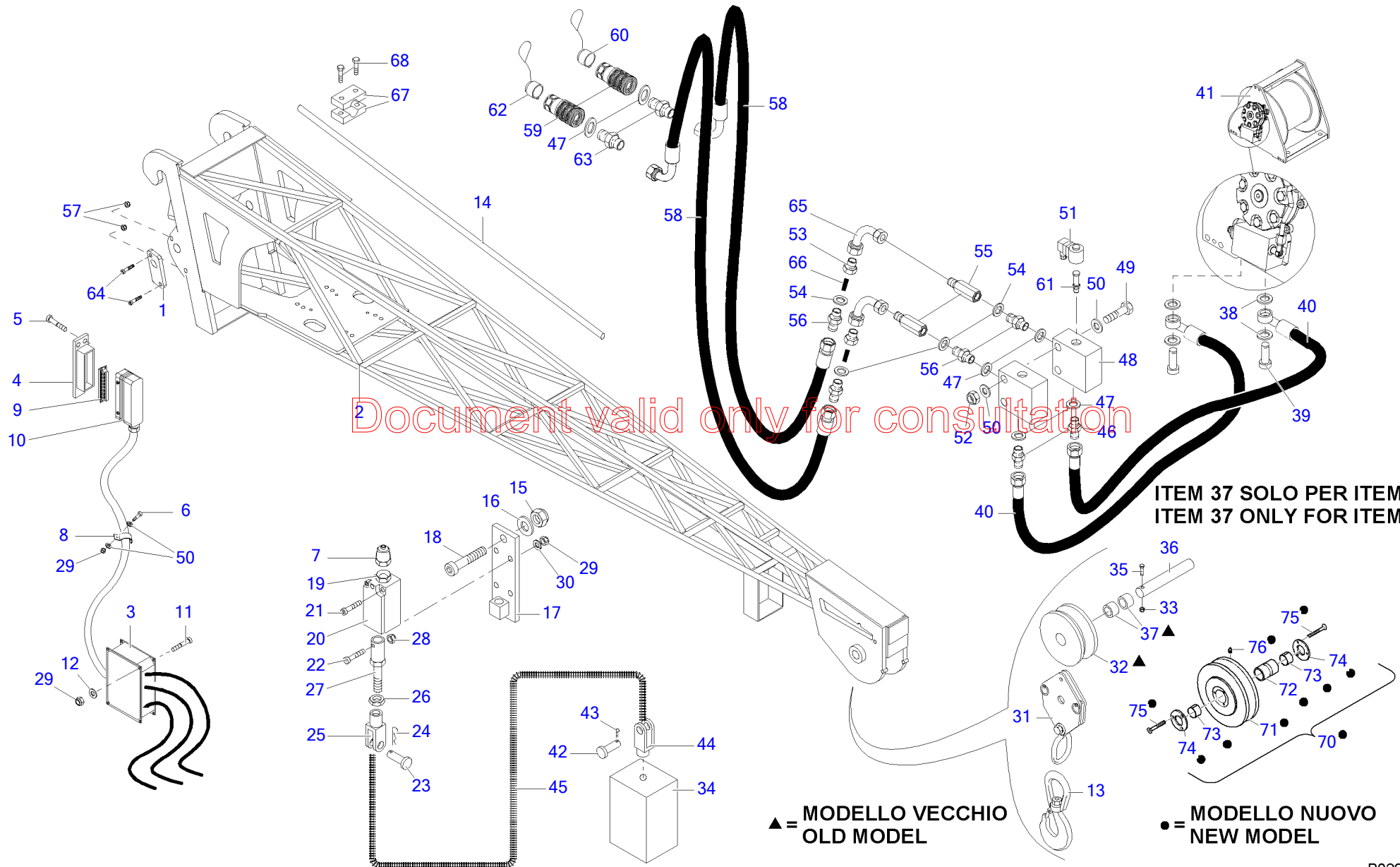
POS.	CODE	Q.TY	UNIT	DESCRIPTION
1	1U-4030010000205	1		WASHER
2	1U-4030060180205	1		WASHER
3	1U-4016006000205	1		NUT
4	1U-3159000000000	1		LEVER
5	1U-4001010110210	1		SCREW
6	1U-4016010000205	1		NUT
7	1U-4001006025210	1		SCREW
8	1U-6016100600016	1		SPACER
9	1U-7030000000536	1		SPRING
10	1U-4001008035210	1		SCREW
11	1U-4013005000205	1		NUT
12	1U-4030008000205	1		WASHER
13	1U-4016008000205	1		NUT
14	1U-4245000000200	1		GAS SPRING
15	1U-4001008075210	1		SCREW

Document valid only for consultation



DESCRIPTION	REFERENCE	PAGE
JIB CRANE EXTENSION L = 1.3 M WITH WINCH (BUD4406)	P4-00010_00	148
JIB CRANE EXTENSION L = 1.3 M WITH WINCH (BUD4460)	P4-00020_00	149
JIB CRANE EXTENSION L = 1.3 M WITH WINCH (BUD4526)	P4-00021_00	150
JIB CRANE EXTENSION L = 1.3 M WITH WINCH (BUD4526)	P4-00022_00	151
JIB CRANE EXTENSION L = 2.5 M WITH WINCH (BUD4368)	P4-00030_00	152
WINCH - SPARE PARTS 1 (ATTAR0000011)	P4-ATTAR0000011-010	153
CABLE GLAND (ATTAR0000011)	P4-ATTAR0000011-020	154
LIMIT SWITCH (ATTAR0000011)	P4-ATTAR0000011-030	155
LIMIT SWITCH (ATTAR0000011)	P4-ATTAR0000011-040	156
WINCH (BMF1135)	P4-BMF1135-010	157
WINCH - CABLE GLAND (BMF1135)	P4-BMF1135-020	158
WINCH (BMF1155)	P4-BMF1155-010	159
WINCH - CABLE GLAND (BMF1155)	P4-BMF1155-020	160
WINCH - CABLE GLAND (BMF1155)	P4-BMF1155-030	161
WINCH - LIMIT SWITCH (BMF1155)	P4-BMF1155-040	162
WINCH - SPARE PARTS 1 (BMF1156)	P4-BMF1156-010	163
LIMIT SWITCH (BMF1156)	P4-BMF1156-020	164
LIMIT SWITCH (BMF1156)	P4-BMF1156-030	165
CABLE GLAND (BMF1156)	P4-BMF1156-040	166

Document valid only for consultation





JIB CRANE EXTENSION L = 1.3 M WITH WINCH (BUD4406)

Reference: p4-00010_00

POS.	CODE	Q.TY	UNIT	DESCRIPTION
1	CVC5143/0D2	1		PIN HOOKING PLATE
2	BUD4405/0D2	1		JIB CRANE
3	BEK7082	1		ET ON-OFF CONTROL UNIT
4	1P.ILMCHI24	1		PLUG HOLDER 24
5	BAE1250	1		SCREW
6	BAB5105	1		SCREW
7	1P.RTG82911	1		FITTING
8	BWF1307	1		CLAMP
9	1P.ILMCNM24	1		SOCKET 24
10	1P.ILMCHO24	1		ELECTRICAL PLUG 24
11	BAB5103	1		SCREW
12	BAL5108	1		WASHER
13	BVU2410	1		HOOK
14	PAA0504	1	M	ALUMINUM PIPE
15	BAG4117	1		NUT
16	BAL5112	1		WASHER
17	BCN9815	1		SUPPORT
18	BAE3531	1		SCREW
19	1P.RTG86763	1		REDUCTION
20	BMF1187	1		MICROSWITCH SENSOR
21	BAB5107	1		SCREW
22	BAE1210	1		SCREW
23	BWR2102	1		PIN
24	BWH1111	1		COTTER PIN
25	BWR3104	1		FORK
26	BAG4118	1		NUT
27	BCN9880/CL	1		PIN
28	BAG4099	1		NUT
29	BAG4100	1		NUT
30	BAL5108	1		WASHER
31	BMF1186	1		CABLE HOLDER
32	BVI5441/0G	1		PULLEY
33	BAG4118	1		NUT
34	5D.9050300	1		COUNTERWEIGHT
35	BAA7266	1		SCREW

Document valid only for consultation



JIB CRANE EXTENSION L = 1.3 M WITH WINCH (BUD4406)

Reference: p4-00010_00

POS.	CODE	Q.TY	UNIT	DESCRIPTION
36	BRI3518/CL	1		PIN
37	BSF0422	1		BUSH
38	BHG4724	1		WASHER
39	BHA0402	1		PERFORATED SCREW
40	BKS3585	1		HOSE
41	BMF1155	1		WINCH
42	BWR2110	1		PIN
43	BWH1103	1		COTTER PIN
44	BWR3100	1		FORK
45	BVS2017	1	M	CHAIN
46	BHA0128	1		NIPPLE
47	BHG4730	1		WASHER
48	BHE1362	1		COLLECTOR
49	BAA7168	1		SCREW
50	BAL5110	1		WASHER
51	BHE1376	1		SOLENOID
52	BAG4101	1		NUT
53	BHA0620	1		COLUMN
54	BHG4728	1		WASHER
55	BHA0560	1		COLUMN
56	BHA0124	1		NIPPLE
57	BAG4119	1		NUT
58	BKU4750	1		PIPE
59	BHA0860	1		QUICK COUPLING
60	BHA0852	1		BLUE CAP
61	BHE1359	1		VALVE
62	BHA0862	1		RED CAP
63	BHA0128	1		NIPPLE
64	BAA7307	1		SCREW
65	BHA1025	1		CURVE
66	BHE1142	1		SOCKET FOR VALVE
67	BWF1341	1		TUBE SUPPORT
68	BAB5154	1		SCREW
70	TRA0000013	1		PULLEY
71	TRA0000009	1		• PULLEY

Document valid only for consultation

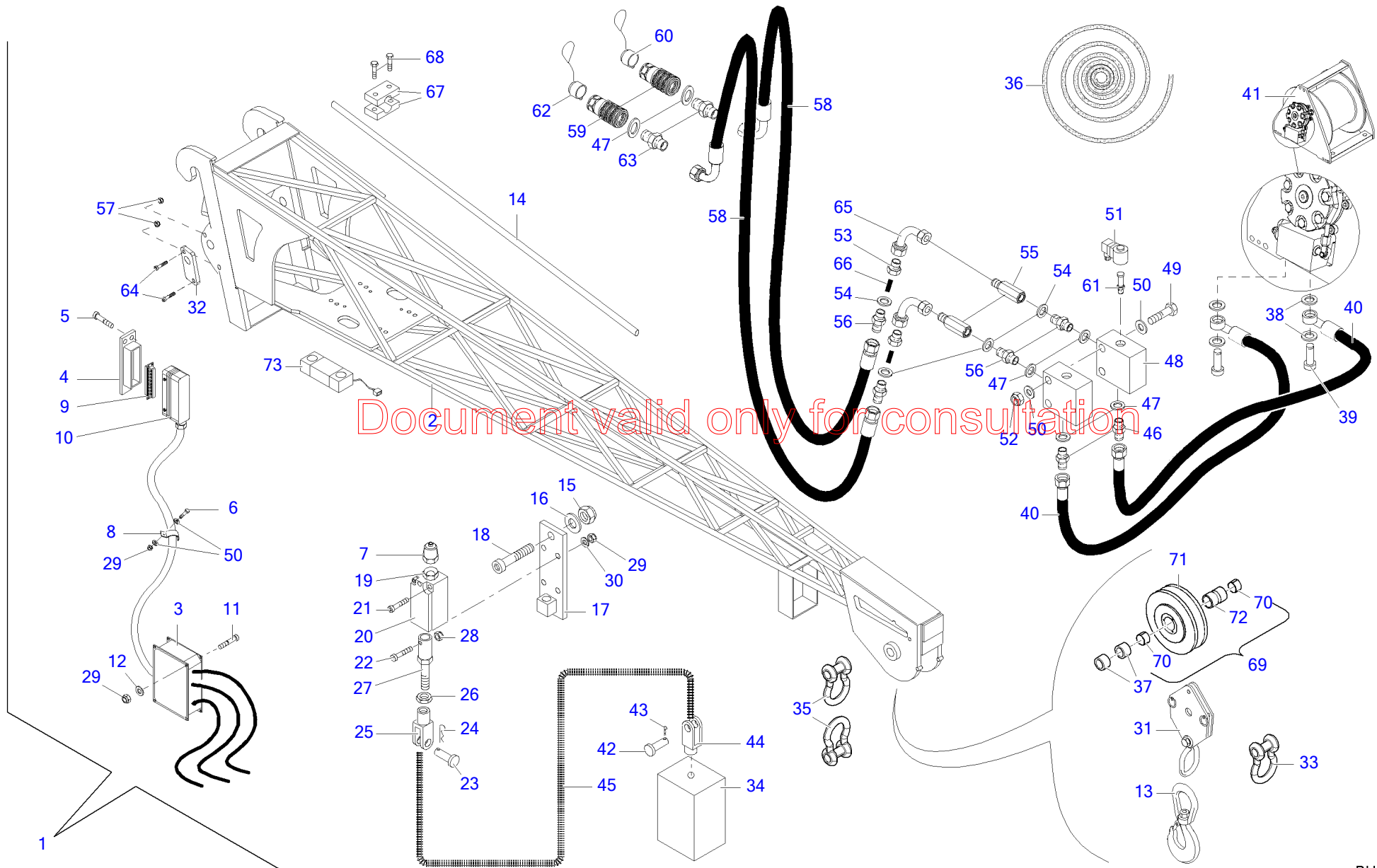


JIB CRANE EXTENSION L = 1.3 M WITH WINCH (BUD4406)

Reference: p4-00010_00

POS.	CODE	Q.TY	UNIT	DESCRIPTION
72	CAR0002849	1		• BUSH
73	BWR7118	2		• BUSH
74	CAR0001526	2		• FLANGE
75	BAE3524	6		• SCREW
76	BWI1119	1		• LUBRICATOR

Document valid only for consultation





JIB CRANE EXTENSION L = 1.3 M WITH WINCH (BUD4460)

Reference: p4-00020_00

POS.	CODE	Q.TY	UNIT	DESCRIPTION
1	BUD4460	1		CRANE EXTENSION
2	ATT0000058-0G	1		CRANE EXTENSION
3	BEP0249/LE	1		CONTROL UNIT
4	1P.ILMCHI24	1		PLUG HOLDER 24
5	BAE1250	1		SCREW
6	BAB5105	1		SCREW
7	1P.RTG82911	1		FITTING
8	BWF1307	1		CLAMP
9	1P.ILMCNM24	1		SOCKET 24
10	1P.ILMCHO24	1		ELECTRICAL PLUG 24
11	BAB5103	1		SCREW
12	BAL5108	1		WASHER
13	BVU2421	1		HOOK
14	PAA0504	1	M	ALUMINUM PIPE
15	BAG4117	1		NUT
16	BAL5112	1		WASHER
17	BCN9815	1		SUPPORT
18	BAE3531	1		SCREW
19	1P.RTG86763	1		REDUCTION
20	BMF1187	1		MICROSWITCH SENSOR
21	BAB5107	1		SCREW
22	BAE1210	1		SCREW
23	BWR2102	1		PIN
24	BWH1111	1		COTTER PIN
25	BWR3104	1		FORK
26	BAG4118	1		NUT
27	BCN9880/CL	1		PIN
28	BAG4099	1		NUT
29	BAG4100	1		NUT
30	BAL5108	1		WASHER
31	BMF1207	1		BLOCK
32	CVC5143/0G	1		PIN HOOKING PLATE
33	BVU2176	1		SHACKLE
34	5D.9050300	1		COUNTERWEIGHT
35	BVU2175	2		SHACKLE

Document valid only for consultation



JIB CRANE EXTENSION L = 1.3 M WITH WINCH (BUD4460)

Reference: p4-00020_00

POS.	CODE	Q.TY	UNIT	DESCRIPTION
36	BMF1220	1		ROPE
	BMF1221	1		WRAPPED ROPE
37	BSF0422	1		BUSH
38	BHG4724	1		WASHER
39	BHA0402	1		PERFORATED SCREW
40	BKS3585	1		HOSE
41	ATTAR0000011-F	1		WINCH
42	BWR2110	1		PIN
43	BWH1103	1		COTTER PIN
44	BWR3100	1		FORK
45	BVS2017	1	M	CHAIN
46	BHA0128	1		NIPPLE
47	BHG4730	1		WASHER
48	BHE1362	1		COLLECTOR
49	BAA7168	1		SCREW
50	BAL5110	1		WASHER
51	BHE1376	1		SOLENOID
52	BAG4101	1		NUT
53	BHA0620	1		COLUMN
54	BHG4728	1		WASHER
55	BHA0560	1		COLUMN
56	BHA0124	1		NIPPLE
57	BAG4119	1		NUT
58	BKU4750	1		PIPE
59	BHA0860	1		QUICK COUPLING
60	BHA0852	1		BLUE CAP
61	BHE1359	1		VALVE
62	BHA0862	1		RED CAP
63	BHA0128	1		NIPPLE
64	BAA7307	1		SCREW
65	BHA1025	1		CURVE
66	BHE1142	1		SOCKET FOR VALVE
67	BWF1341	1		TUBE SUPPORT
68	BAB5154	1		SCREW
69	TRA0000014	1		PULLEY

Document valid only for consultation

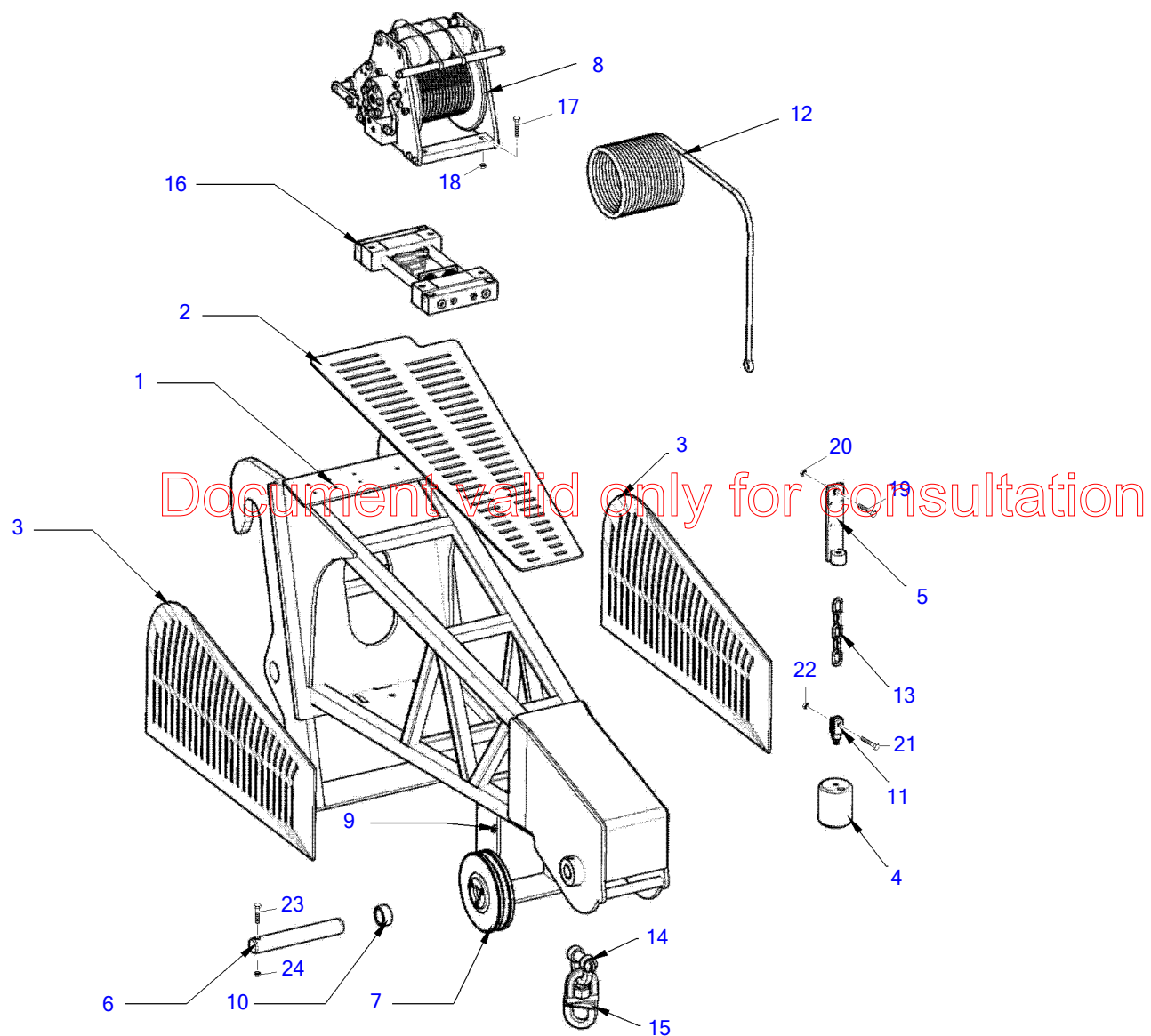


JIB CRANE EXTENSION L = 1.3 M WITH WINCH (BUD4460)

Reference: p4-00020_00

POS.	CODE	Q.TY	UNIT	DESCRIPTION
70	BWR7117	2		• BUSH
71	TRA0000015	1		• PULLEY
72	CAR0002864	1		• CENTRAL BUSH
73	BEP0202	1		EXTENSOMETRIC TRANSDUCER

Document valid only for consultation



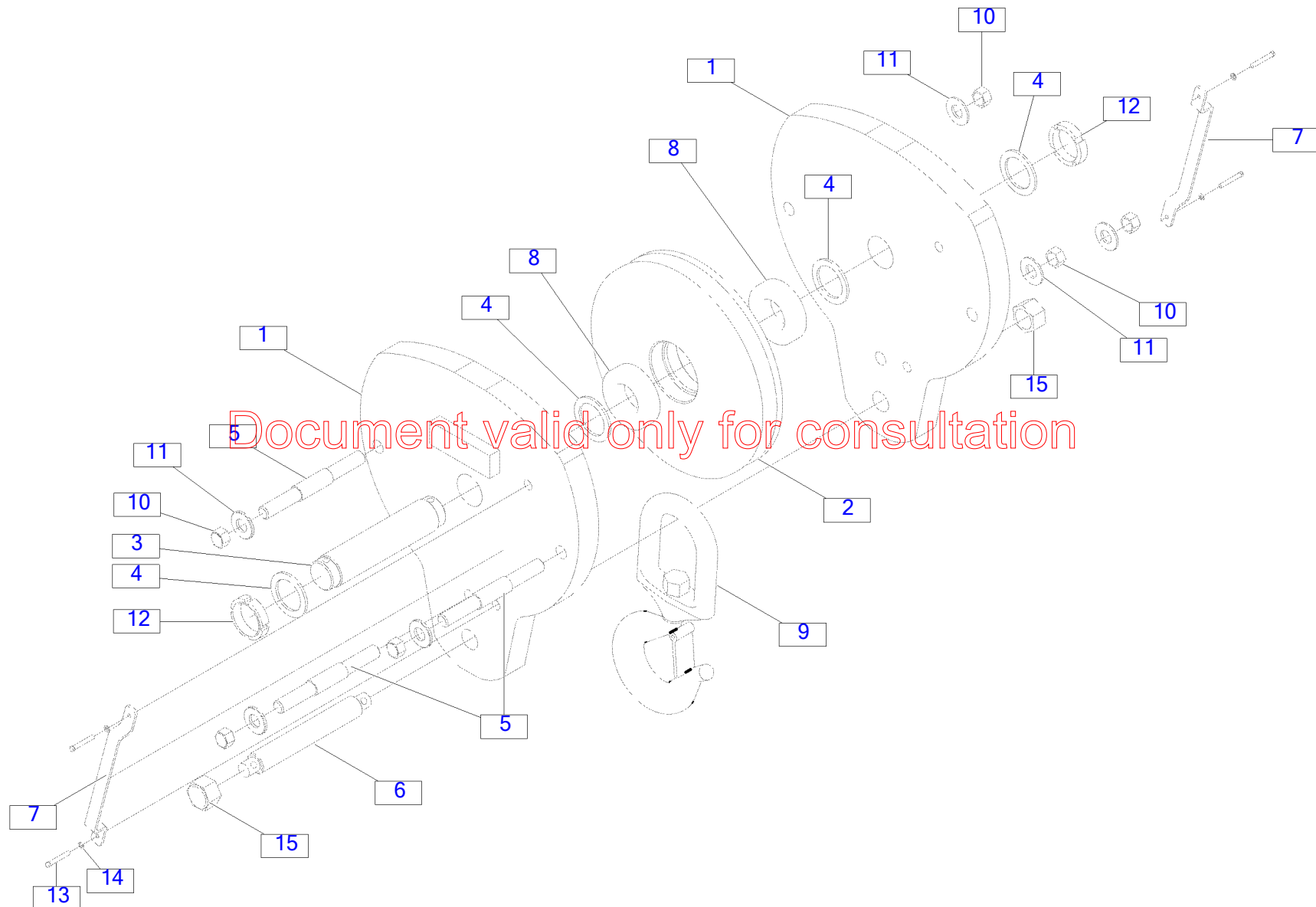


JIB CRANE EXTENSION L = 1.3 M WITH WINCH (BUD4526)

Reference: p4-00021_00

POS.	CODE	Q.TY	UNIT	DESCRIPTION
1	3P.5000	1		JIB CRANE
2	3P.4701	1		UPPER PLATE
3	3P.4702	2		LATERAL METAL SHEET
4	3P.4603	1		ROPE GUIDE ROLLER
5	3P.4436	1		MICRO SUPPORT METAL SHEET
6	3P.4453	1		PIN
7	3P.4454	1		PULLEY
8	3P.4201	1		WINCH
9	3P.4202	1		LUBRICATOR
10	3P.42011	1		BUSHING
11	3P.4205	2		FORK
12	3P.4204	1		ROPE
13	3P.4206	1		CHAIN
14	3P.4207	1		SHACKLE
15	3P.4007	1		JOINT
16	3P.42010	1		LOAD LIMITER
17	BAA7356	4		SCREW
18	BAL5118	4		WASHER
19	BAA2203	1		SCREW
20	BAG4117	1		NUT
21	BAA2204	1		SCREW
22	BAG4117	1		NUT
23	BAA7264	1		SCREW
24	BAG4118	1		NUT

Document valid only for consultation



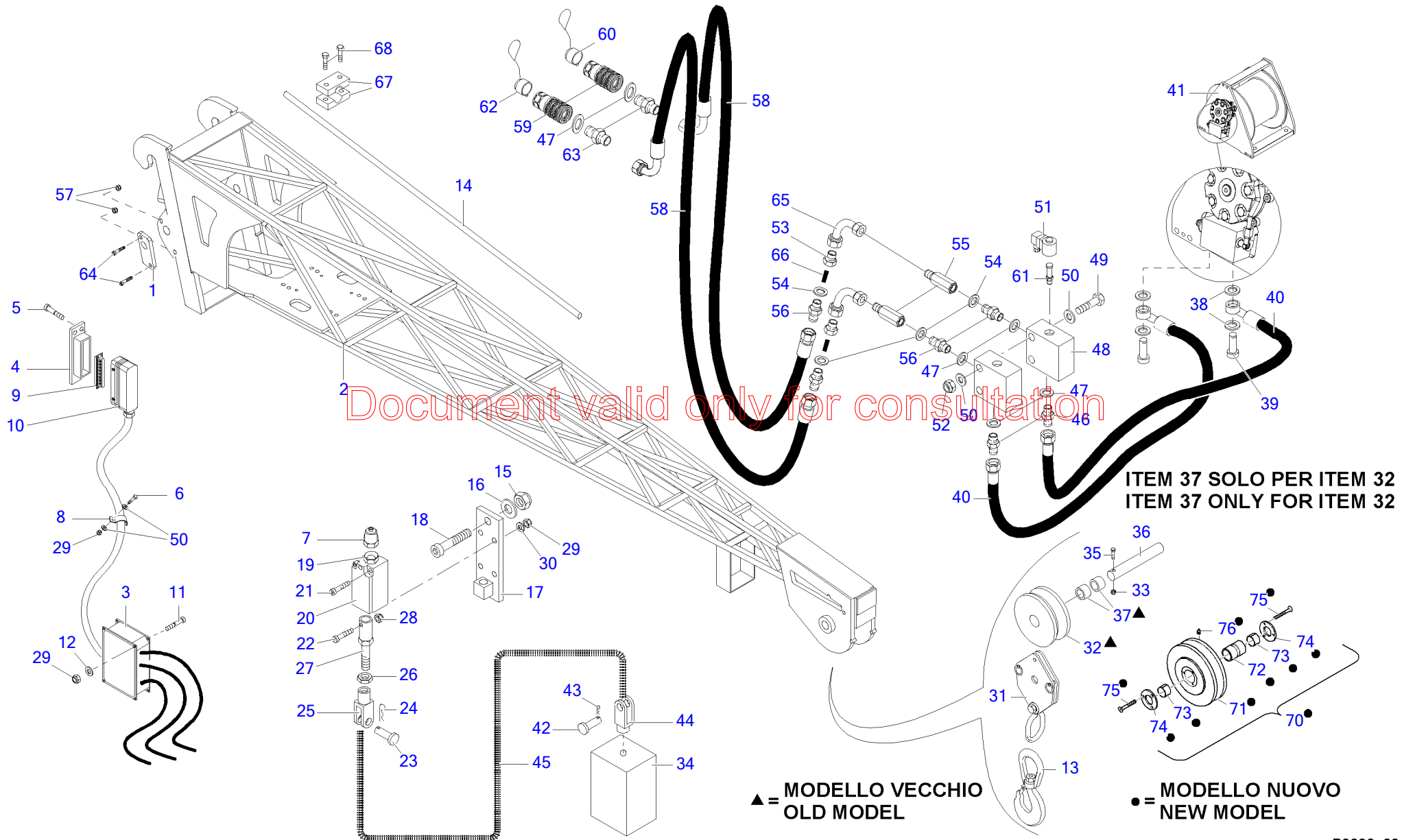


JIB CRANE EXTENSION L = 1.3 M WITH WINCH (BUD4526)

Reference: p4-00022_00

POS.	CODE	Q.TY	UNIT	DESCRIPTION
1	3P.4610	2		BODY SIDE
2	3P.4611	1		PULLEY
3	3P.4612	1		PIN
4	3P.4613	4		WASHER
5	3P.4614	3		PIN
6	3P.4615	1		PIN
7	3P.4616	1		HANDLE
8	3P.420-8	2		BALL BEARING
9	3P.420-9	1		HOOK
10	BAG4118	6		NUT
11	BAL5114	6		WASHER
12	BAM1105	2		RING NUT
13	BAA7202	4		SCREW
14	BAL5113	4		WASHER
15	BAG4106	2		NUT

Document valid only for consultation





JIB CRANE EXTENSION L = 2.5 M WITH WINCH (BUD4368)

Reference: p4-00030_00

POS.	CODE	Q.TY	UNIT	DESCRIPTION
1	CVC5143/0D2	1		PIN HOOKING PLATE
2	BUD4369/0D2	1		JIB CRANE
3	BEK7082	1		ET ON-OFF CONTROL UNIT
4	1P.ILMCHI24	1		PLUG HOLDER 24
5	BAE1250	1		SCREW
6	BAB5105	1		SCREW
7	1P.RTG82911	1		FITTING
8	BWF1307	1		CLAMP
9	1P.ILMCNM24	1		SOCKET 24
10	1P.ILMCHO24	1		ELECTRICAL PLUG 24
11	BAB5103	1		SCREW
12	BAL5108	1		WASHER
13	BVU2410	1		HOOK
14	PAA0504	1	M	ALUMINUM PIPE
15	BAG4117	1		NUT
16	BAL5112	1		WASHER
17	BCN9815	1		SUPPORT
18	BAE3531	1		SCREW
19	1P.RTG86763	1		REDUCTION
20	BMF1187	1		MICROSWITCH SENSOR
21	BAB5107	1		SCREW
22	BAE1210	1		SCREW
23	BWR2102	1		PIN
24	BWH1111	1		COTTER PIN
25	BWR3104	1		FORK
26	BAG4118	1		NUT
27	BCN9880/CL	1		PIN
28	BAG4099	1		NUT
29	BAG4100	1		NUT
30	BAL5108	1		WASHER
31	BMF1186	1		CABLE HOLDER
32	BVI5441/0G	1		PULLEY
33	BAG4118	1		NUT
34	5D.9050300	1		COUNTERWEIGHT
35	BAA7266	1		SCREW

Document valid only for consultation



JIB CRANE EXTENSION L = 2.5 M WITH WINCH (BUD4368)

Reference: p4-00030_00

POS.	CODE	Q.TY	UNIT	DESCRIPTION
36	BRI3518/CL	1		PIN
37	BSF0422	1		BUSH
38	BHG4724	1		WASHER
39	BHA0402	1		PERFORATED SCREW
40	BKS3585	1		HOSE
41	BMF1135	1		WINCH
	BMF1156	1		WINCH
42	BWR2110	1		PIN
43	BWH1103	1		COTTER PIN
44	BWR3100	1		FORK
45	BVS2017	1	M	CHAIN
46	BHA0128	1		NIPPLE
47	BHG4730	1		WASHER
48	BHE1362	1		COLLECTOR
49	BAA7168	1		SCREW
50	BAL5110	1		WASHER
51	BHE1376	1		SOLENOID
52	BAG4101	1		NUT
53	BHA0620	1		COLUMN
54	BHG4728	1		WASHER
55	BHA0560	1		COLUMN
56	BHA0124	1		NIPPLE
57	BAG4119	1		NUT
58	BKU4750	1		PIPE
59	BHA0860	1		QUICK COUPLING
60	BHA0852	1		BLUE CAP
61	BHE1359	1		VALVE
62	BHA0862	1		RED CAP
63	BHA0128	1		NIPPLE
64	BAA7307	1		SCREW
65	BHA1025	1		CURVE
66	BHE1142	1		SOCKET FOR VALVE
67	BWF1341	1		TUBE SUPPORT
68	BAB5154	1		SCREW
70	TRA0000013	1		PULLEY

Document valid only for consultation

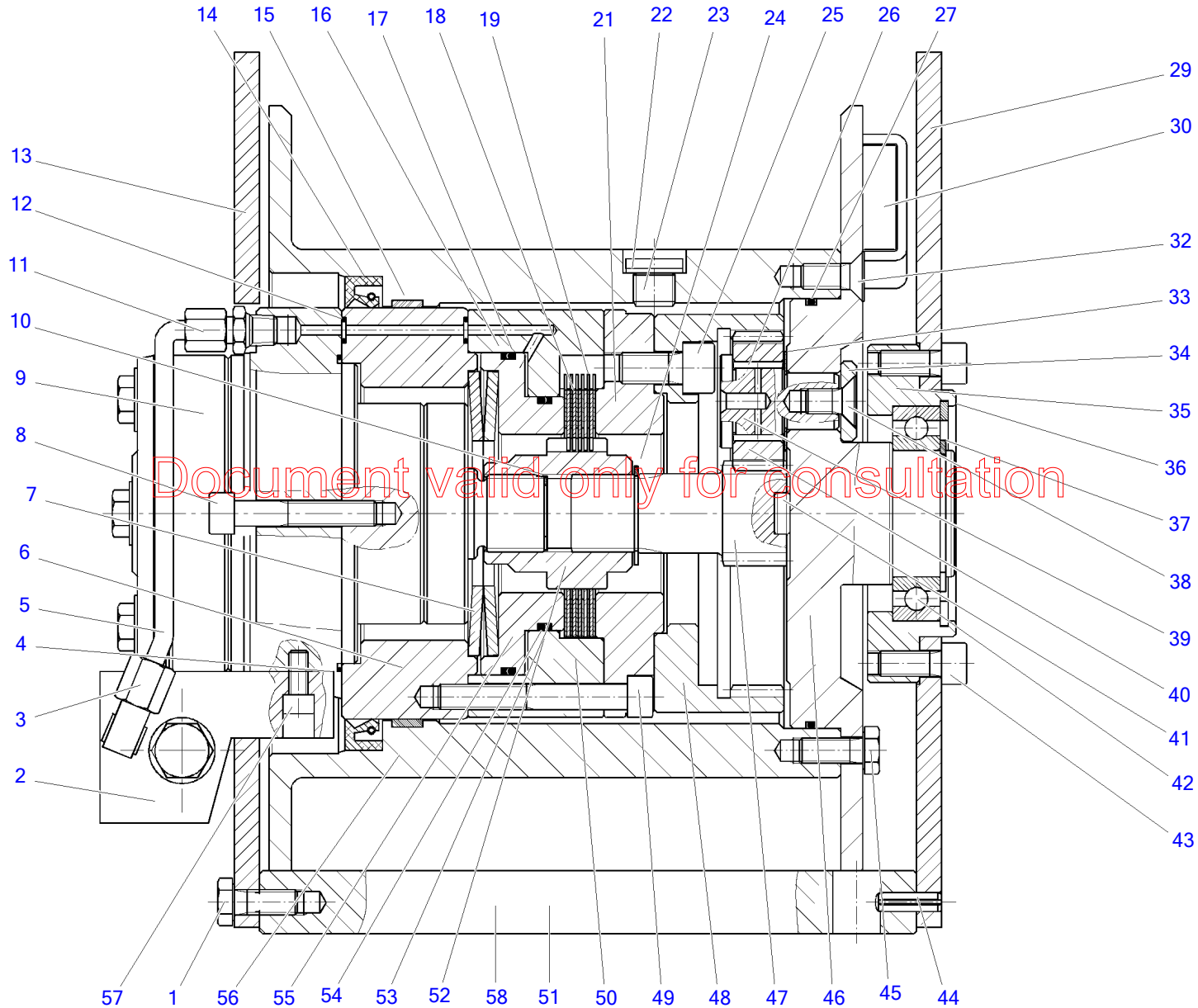


JIB CRANE EXTENSION L = 2.5 M WITH WINCH (BUD4368)

Reference: p4-00030_00

POS.	CODE	Q.TY	UNIT	DESCRIPTION
71	TRA0000009	1		• PULLEY
72	CAR0002849	1		• BUSH
73	BWR7118	2		• BUSH
74	CAR0001526	2		• FLANGE
75	BAE3524	6		• SCREW
76	BW11119	1		• LUBRICATOR

Document valid only for consultation

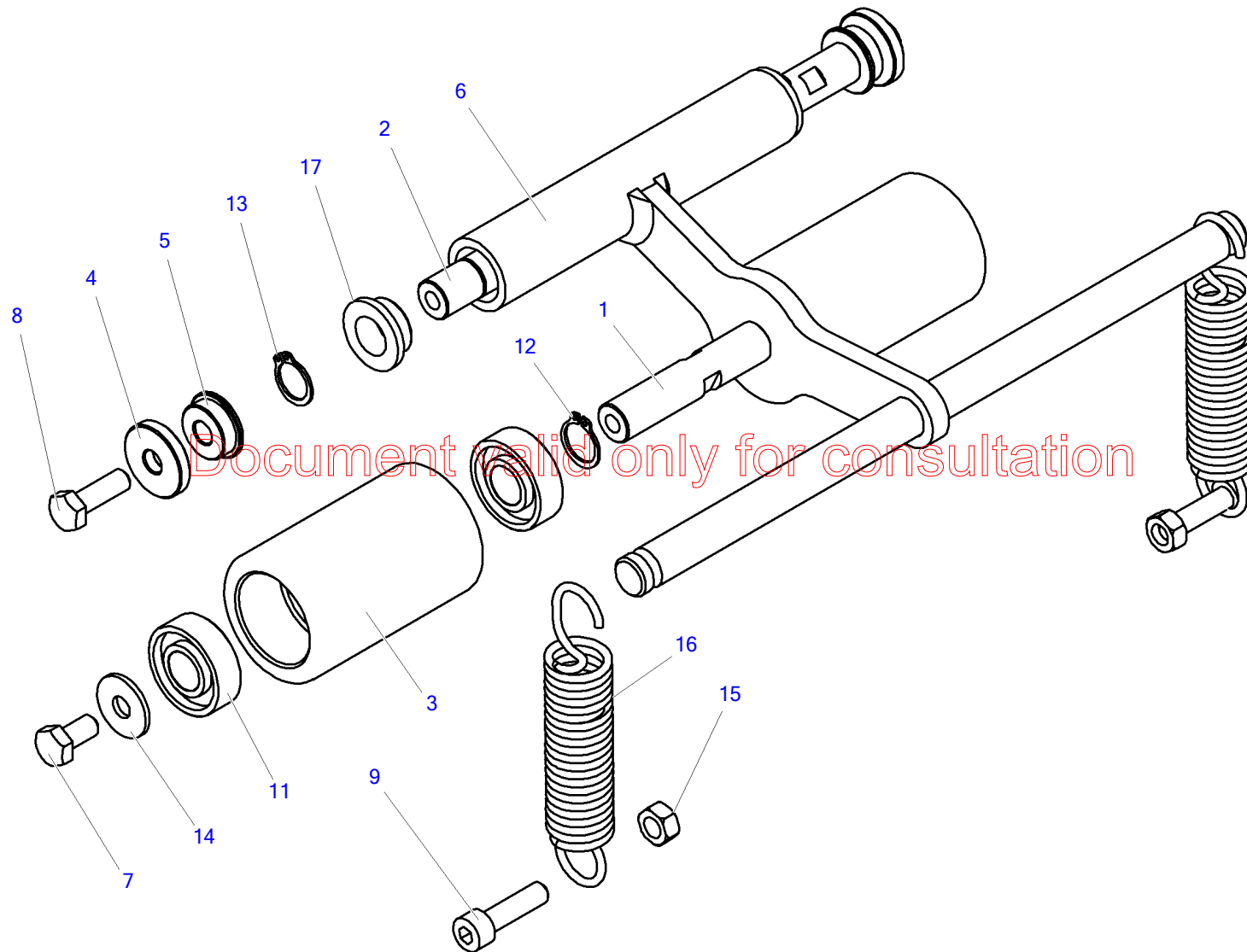


POS.	CODE	Q.TY	UNIT	DESCRIPTION
1	5T.60102008	8		SCREW
2	5T.61901073	1		VALVE
3	5T.62001001	1		CONICAL FITTING
4	5T.60301010	1		O-RING
5	5T.12910086	1		PIPE
6	5T.11010214	1		DRUM SUPPORT RING
7	5T.61601015	2		BELLEVILLE WASHER
8	5T.60104052	6		SCREW
9	5T.62101085	1		HYDRAULIC MOTOR
10	5T.60401023	1		CIRCLIP
11	5T.62001016	1		CONICAL FITTING
12	5T.60301001	1		O-RING GASKET
13	5T.13610246	1		SUPPORT ON ENGINE SIDE
14	5T.60902002	1		SEALING RING
15	5T.60307001	1		RING IN ANTI- FRICTION MATERIAL
16	5T.61701003	1		ANTI-EXTRUSION RING
17	5T.60302010	1		O-RING GASKET
18	5T.60801008	5		STEEL DISC
19	5T.60801003	6		STEEL DISC
21	5T.11010213	1		BRAKE CLOSING RING
22	5T.61001003	1		WASHER
23	5T.61801004	1		METAL PLUG
24	5T.60402019	1		CIRCLIP FOR SHAFT
25	5T.60104016	6		SCREW
26	5T.60208001	108		ROLLER
27	5T.60302001	1		O-RING
29	5T.13610247	1		SUPPORT ON REDUCTION UNIT SIDE
30	5T.10610003	1		DROP THIMBLE
32	5T.60105007	2		SCREW
33	5T.62301005	3		FIFTH WHEEL
34	5T.13310012	3		RETAINING WASHER
35	5T.12510051	1		BEARING FASTENING FLANGE
36	5T.60401002	1		CIRCLIP FOR HOLE
37	5T.60402001	1		CIRCLIP FOR SHAFT
38	5T.60105006	3		SCREW

Document valid only for consultation

POS.	CODE	Q.TY	UNIT	DESCRIPTION
39	5T.12710020	3		SATELLITE PIN
40	5T.13210010	3		SATELLITE
41	5T.30702006	1		SHIM PAD
42	5T.60202007	1		BALL BEARING
43	5T.60104050	4		SCREW
44	5T.60601014	4		ELASTIC PIN
45	5T.60104050	4		SCREW
46	5T.10210004	1		BODY ON REDUCER SIDE
47	5T.12110062	1		SOLAR SHAFT
48	5T.11810016	1		REDUCER CROWN
49	5T.60104015	6		SCREW
50	5T.11710020	1		BRAKE BODY
51	5T.13710105	1		FASTENING PLATE
52	5T.11510019	1		DISC HOLDER GEAR
53	5T.61701010	1		ANTI-EXTRUSION RING
54	5T.60302023	1		O-RING
55	5T.11610026	1		BRAKE PISTON
56	5T.19812190	1		THREADED DRUM (TN09/F8)
57	5T.60104109	1		SCREW
58	5T.13710275	1		FASTENING PLATE

Document valid only for consultation



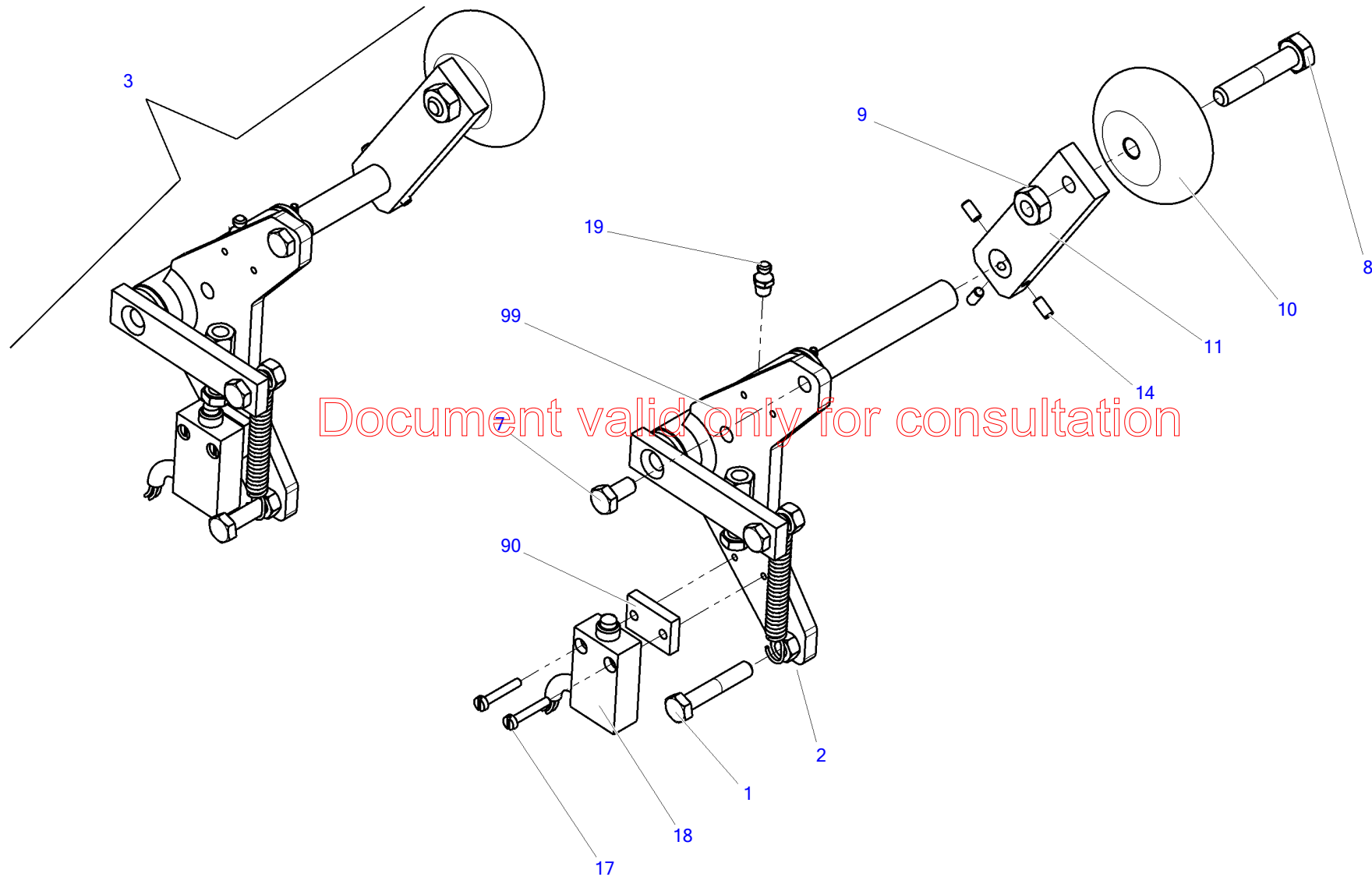


CABLE GLAND (ATTAR0000011)

Reference: p4-attar0000011-020

POS.	CODE	Q.TY	UNIT	DESCRIPTION
1	5T.12710388	2		AXLE PIN
2	5T.12710651	1		PIN
3	5T.12810296	2		ROLLER
4	5T.13310073	2		WASHER
5	5T.13510086	2		BUSH
6	5T.19825481	1		SUPPORT
7	5T.60101095	2		SCREW
8	5T.60102035	2		SCREW
9	5T.60104143	2		SCREW
11	5T.60202015	4		BALL BEARING
12	5T.60402027	2		CIRCLIP FOR SHAFT
13	5T.60402050	2		RING
14	BAL5112	2		WASHER
15	5T.61201032	2		NUT
16	5T.61602014	2		SPRING
17	5T.64404002	2		PLASTIC BUSH

Document valid only for consultation



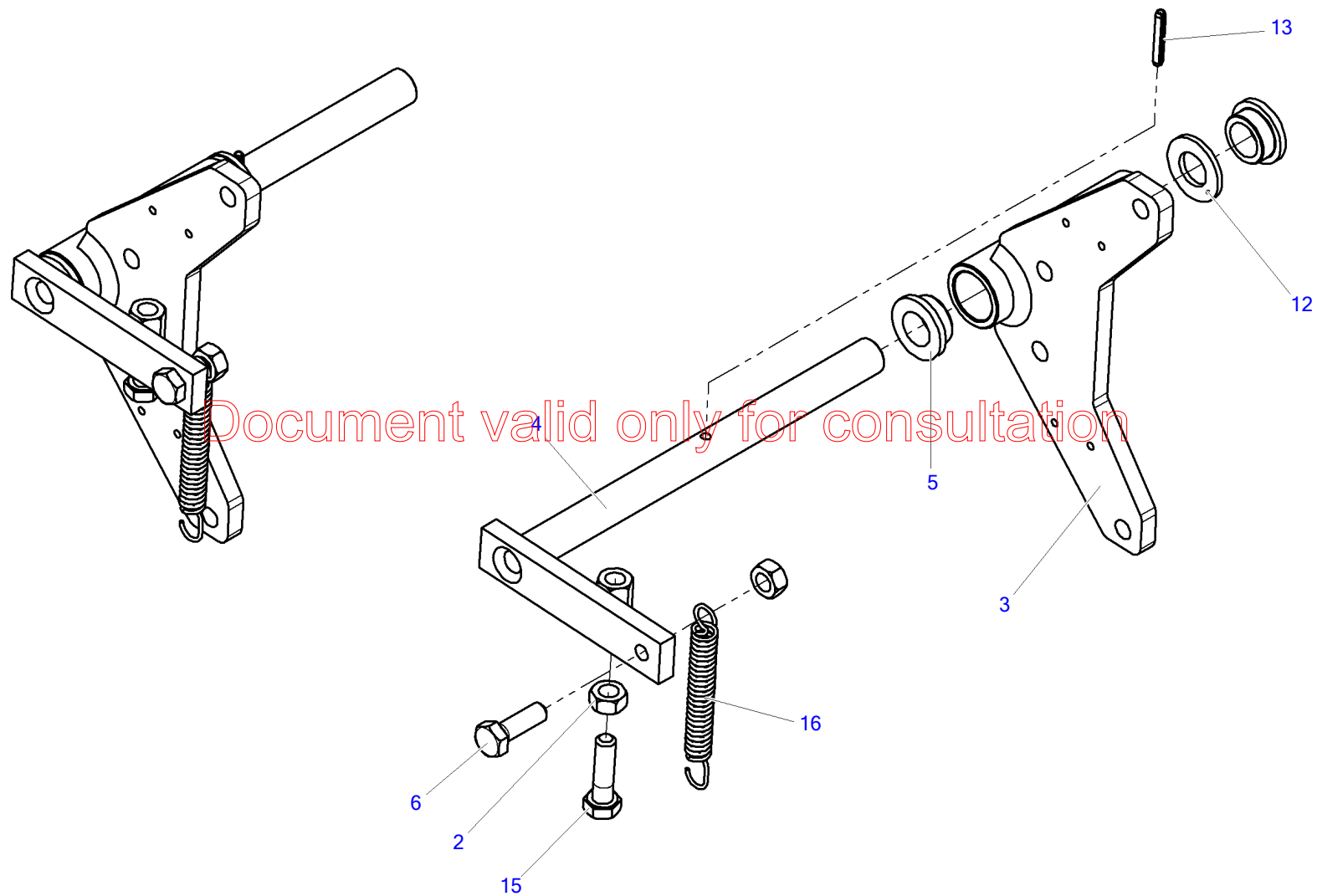


LIMIT SWITCH (ATTAR0000011)

Reference: p4-attar0000011-030

POS.	CODE	Q.TY	UNIT	DESCRIPTION
1	5T.60102047	1		SCREW
2	5T.61201002	1		NUT
3	3P.5700	1		LIMIT SWITCH KIT
7	5T.60102040	1		SCREW
8	5T.60101090	1		SCREW
9	5T.61201025	1		NUT
10	5T.30702010	1		ROLLER
11	5T.13710517	1		PLATE
14	5T.60106001	3		SCREW
17	5T.60109001	2		SCREW
18	5T.63007005	1		BUTTON MICROSWITCH
19	5T.63901001	1		STRAIGHT LUBRICATOR
90	5T.30702024	1		PLATE
99	5T.19925001	1		SUPPORT

Document valid only for consultation



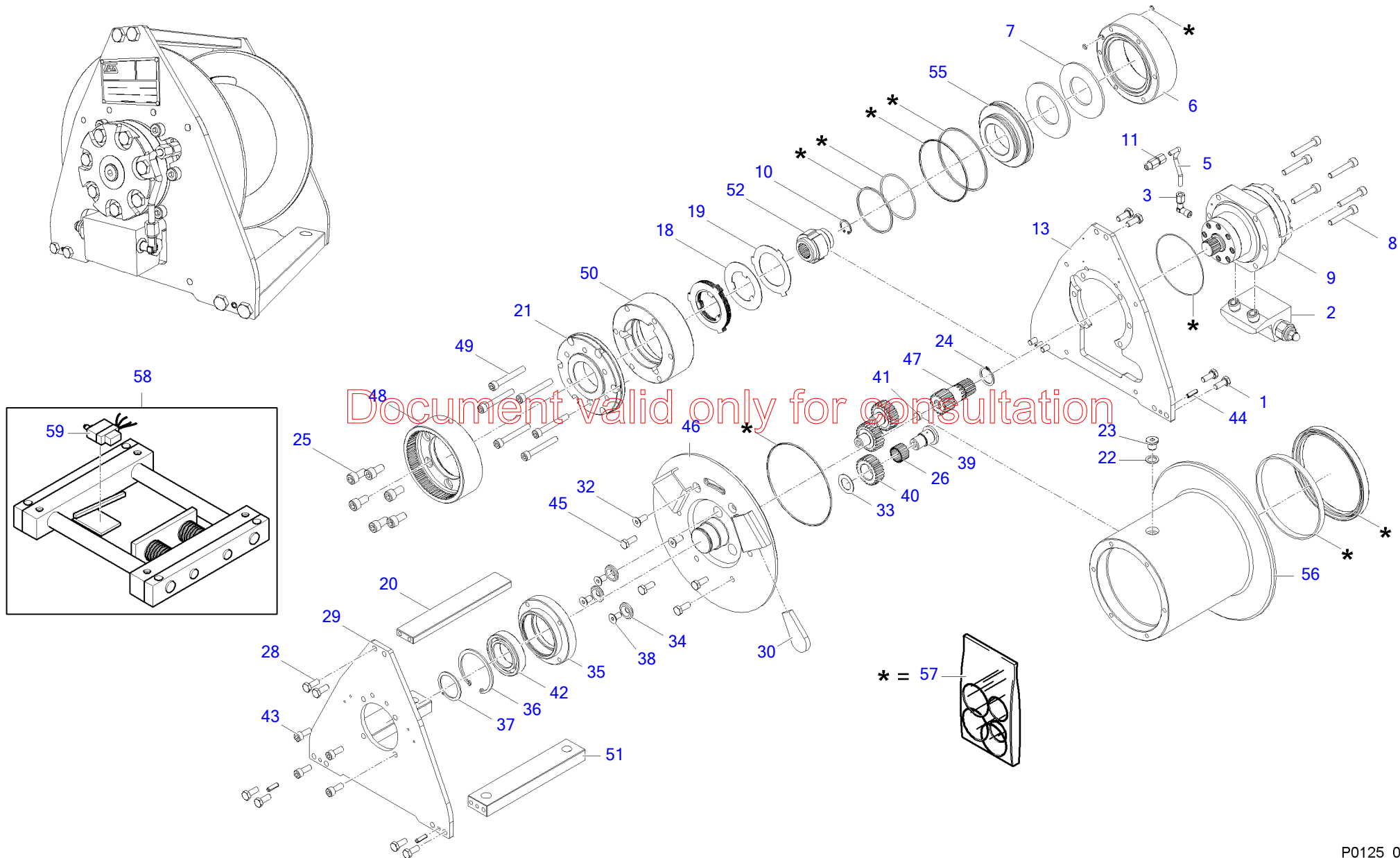


LIMIT SWITCH (ATTAR0000011)

Reference: p4-attar0000011-040

POS.	CODE	Q.TY	UNIT	DESCRIPTION
2	5T.61201002	2		NUT
3	5T.19825163	1		LIMIT SWITCH SUPPORT
4	5T.19825164	1		PIN
5	5T.64404002	2		PLASTIC BUSH
6	5T.60102035	1		SCREW
12	5T.61101004	1		WASHER
13	5T.60601018	1		ELASTIC PIN
15	5T.60102041	1		SCREW
16	5T.61602011	1		SPRING

Document valid only for consultation



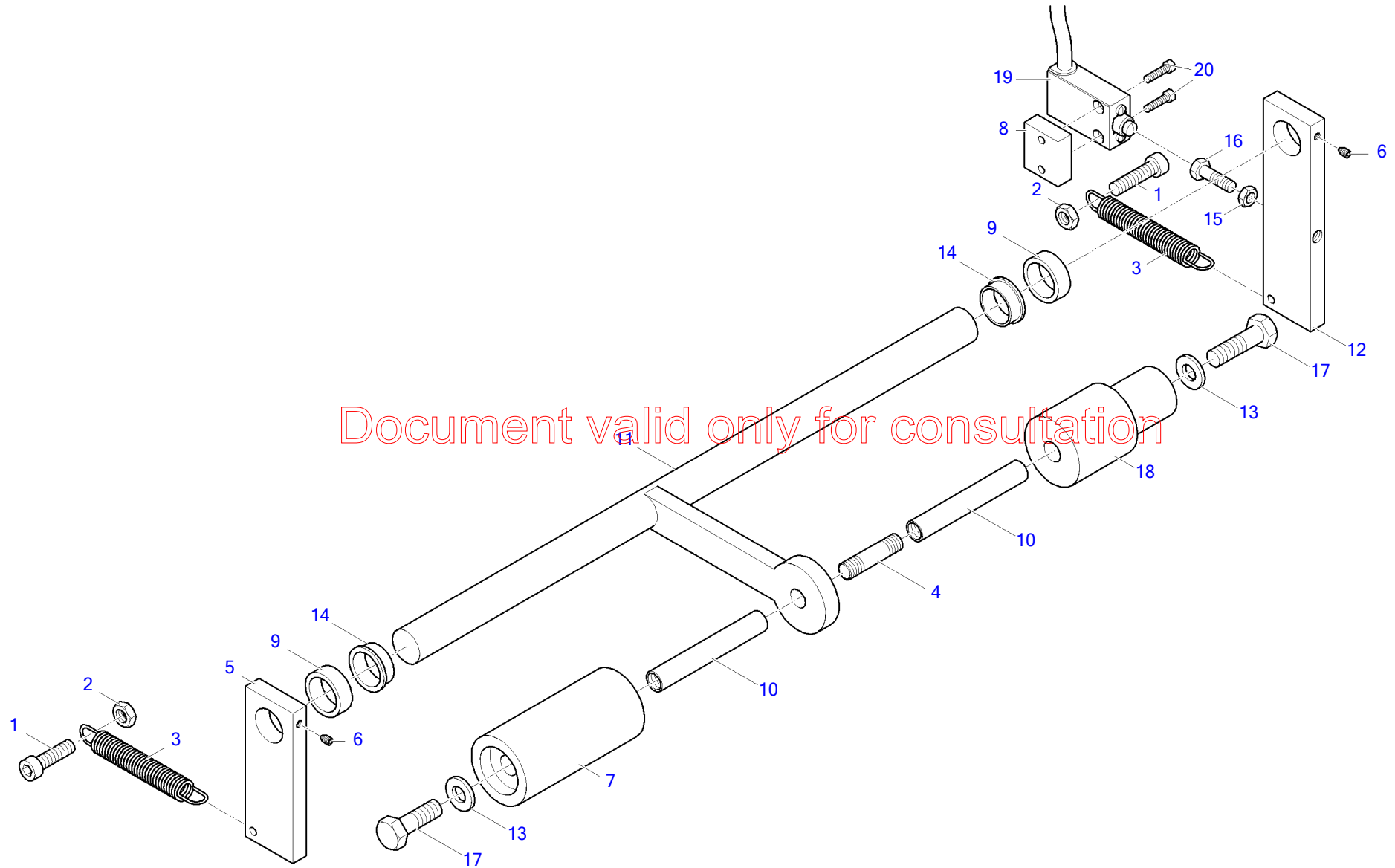
POS.	CODE	Q.TY	UNIT	DESCRIPTION
1	5T.60102008	1		SCREW
2	5T.61901073	1		VALVE
3	5T.62001001	1		CONICAL FITTING
5	5T.12910086	1		PIPE
6	5T.11010214	1		DRUM SUPPORT RING
7	5T.61601015	1		BELLEVILLE WASHER
8	5T.60104052	1		SCREW
9	5T.62101081	1		ORBITAL HYDRAULIC MOTOR
10	5T.60401023	1		CIRCLIP
11	5T.62001016	1		CONICAL FITTING
13	5T.13610056	1		SUPPORT ON ENGINE SIDE
18	5T.60801008	1		STEEL DISC
19	5T.60801003	1		STEEL DISC
20	5T.10310063	1		SUPPORTS SPACER
21	5T.11010213	1		BRAKE CLOSING RING
22	5T.61001003	1		WASHER
23	5T.61801004	1		METAL PLUG
24	5T.60402019	1		CIRCLIP FOR SHAFT
25	5T.60104016	1		SCREW
26	5T.60208001	1		ROLLER
28	5T.60102008	1		SCREW
29	5T.13610055	1		SUPPORT ON REDUCTION UNIT SIDE
30	5T.10610003	1		DROP THIMBLE
32	5T.60105007	1		SCREW
33	5T.62301005	1		FIFTH WHEEL
34	5T.13310012	1		RETAINING WASHER
35	5T.12510051	1		BEARING FASTENING FLANGE
36	5T.60401002	1		CIRCLIP FOR HOLE
37	5T.60402001	1		CIRCLIP FOR SHAFT
38	5T.60105006	1		SCREW
39	5T.12710020	1		SATELLITE PIN
40	5T.13210010	1		SATELLITE
41	5T.30702006	1		SHIM PAD
42	5T.60202007	1		BALL BEARING
43	5T.60104050	1		SCREW

Document valid only for consultation



POS.	CODE	Q.TY	UNIT	DESCRIPTION
44	5T.60601014	1		ELASTIC PIN
45	5T.60102008	1		SCREW
46	5T.10210004	1		BODY ON REDUCER SIDE
47	5T.12110062	1		SOLAR SHAFT
48	5T.11810016	1		REDUCER CROWN
49	5T.60104015	1		SCREW
50	5T.11710020	1		BRAKE BODY
51	5T.13710105	1		FASTENING PLATE
52	5T.11510019	1		DISC HOLDER GEAR
55	5T.11610026	1		BRAKE PISTON
56	5T.19812192	1		DRUM
57	5T.69901068	1		GASKETS KIT
58	5T.9131013	1		PULL LIMITER
59	5T.19710152	1		TIMED MICROSWITCH

Document valid only for consultation



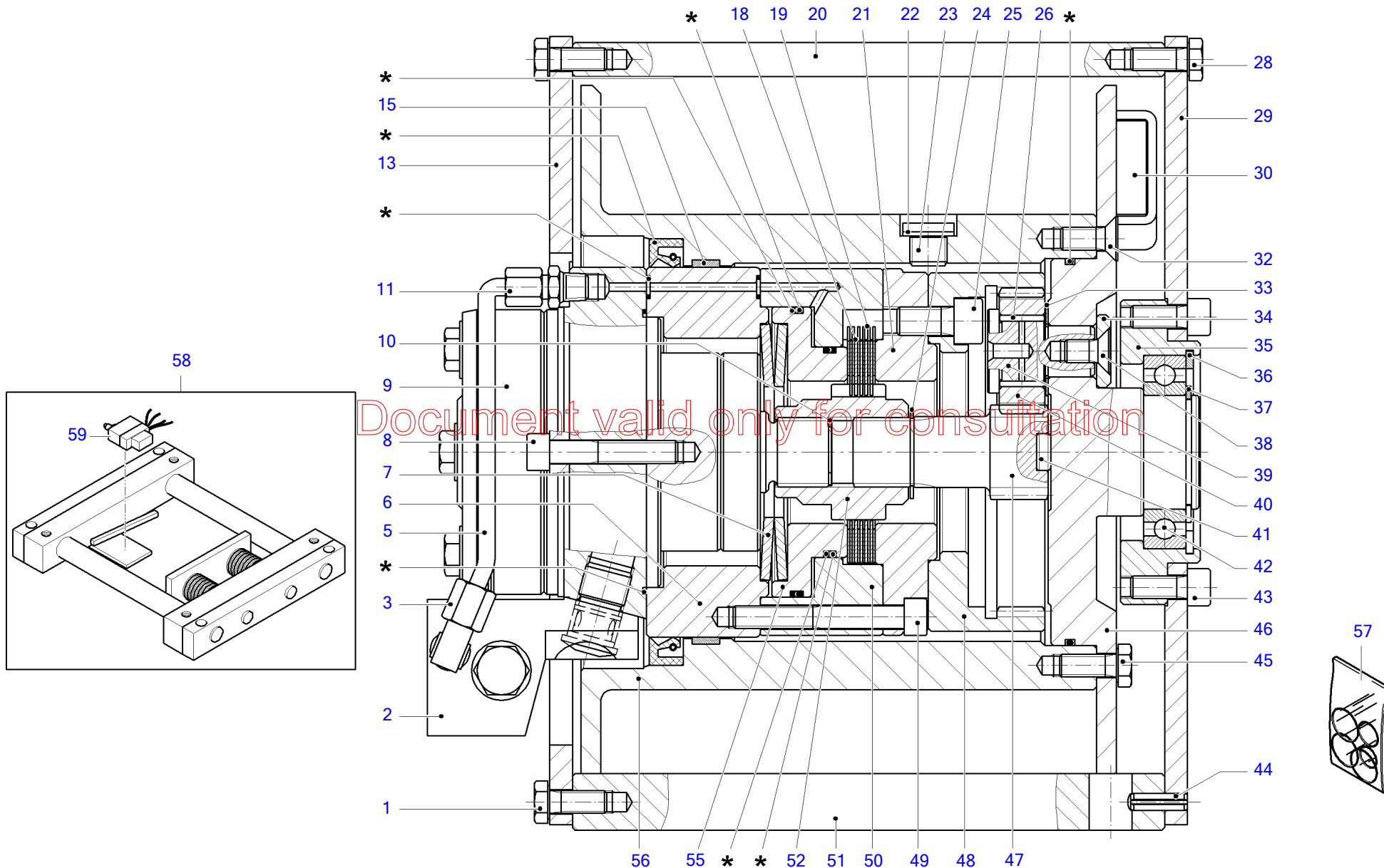


WINCH - CABLE GLAND (BMF1135)

Reference: p4-bmf1135-020

POS.	CODE	Q.TY	UNIT	DESCRIPTION
1	5T.60103110	1		SCREW
2	5T.61201026	1		NUT
3	5T.61602014	1		SPRING
4	5T.60106020	1		SCREW
5	5T.13710322	1		SPRINGS PULLING PLATE
6	5T.60603001	1		ELASTIC PIN
7	5T.30702031	1		CABLE GLAND ROLLER
8	5T.30702145	1		MICROSWITCH SPACER PLATE
9	5T.30702144	1		SPACER WASHER
10	5T.12710388	1		AXLE PIN
11	5T.19825292	1		CABLE GLAND SUPPORT
12	5T.13710323	1		MICROSWITCH PROBE PLATE
13	BAL5112	1		WASHER
14	5T.64404002	1		PLASTIC BUSH
15	BAG3116	1		NUT
16	BAA7155	1		SCREW
17	5T.60101095	1		SCREW
18	5T.30702034	1		LIMIT SWITCH CABLE GLAND ROLLER
19	5T.63007005	1		BUTTON MICROSWITCH
20	5T.60109004	1		SCREW

Document valid only for consultation





WINCH (BMF1155)

Reference: p4-bmf1155-010

POS.	CODE	Q.TY	UNIT	DESCRIPTION
1	5T.60102008	1		SCREW
2	5T.61901018	1		VALVE
3	5T.62001001	1		CONICAL FITTING
5	5T.12910061	1		PIPE
6	5T.11010214	1		DRUM SUPPORT RING
7	5T.61601015	1		BELLEVILLE WASHER
8	5T.60104052	1		SCREW
9	5T.19710167	1		ENGINE
10	5T.60401023	1		CIRCLIP
11	5T.62001016	1		CONICAL FITTING
13	5T.13610056	1		SUPPORT ON ENGINE SIDE
15	5T.60307001	1		RING IN ANTI- FRICTION MATERIAL
18	5T.60801008	1		STEEL DISC
19	5T.60801003	1		STEEL DISC
20	5T.10310063	1		SUPPORTS SPACER
21	5T.11010213	1		BRAKE CLOSING RING
22	5T.61001003	1		WASHER
23	5T.61801004	1		METAL PLUG
24	5T.60402019	1		CIRCLIP FOR SHAFT
25	5T.60104016	1		SCREW
26	5T.60208001	1		ROLLER
28	5T.60102008	1		SCREW
29	5T.13610055	1		SUPPORT ON REDUCTION UNIT SIDE
30	5T.10610003	1		DROP THIMBLE
32	5T.60105007	1		SCREW
33	5T.62301005	1		FIFTH WHEEL
34	5T.13310012	1		RETAINING WASHER
35	5T.12510051	1		BEARING FASTENING FLANGE
36	5T.60401002	1		CIRCLIP FOR HOLE
37	5T.60402001	1		CIRCLIP FOR SHAFT
38	5T.60105006	1		SCREW
39	5T.12710020	1		SATELLITE PIN
40	5T.13210010	1		SATELLITE
41	5T.30702006	1		SHIM PAD
42	5T.60202007	1		BALL BEARING

Document valid only for consultation

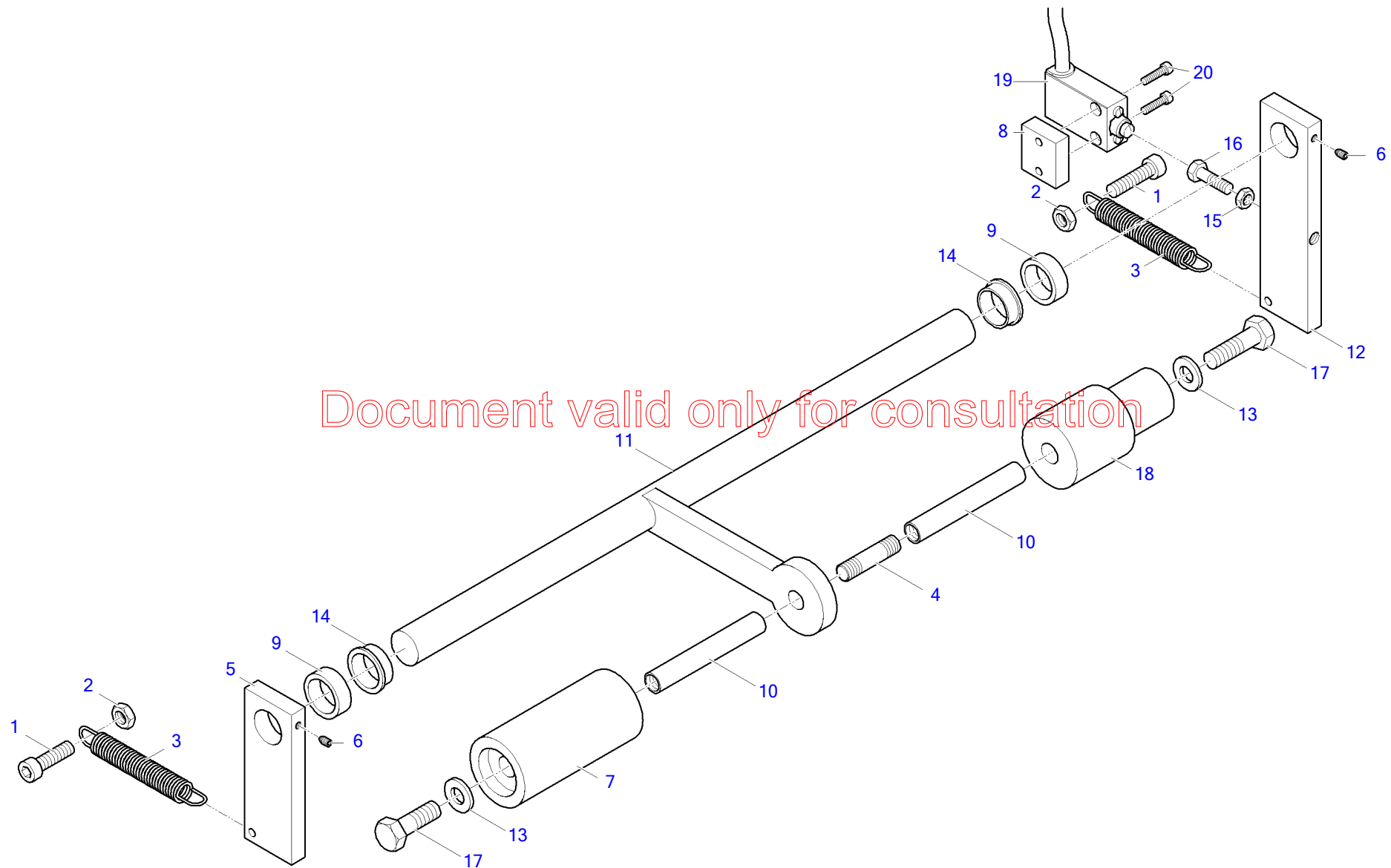


WINCH (BMF1155)

Reference: p4-bmf1155-010

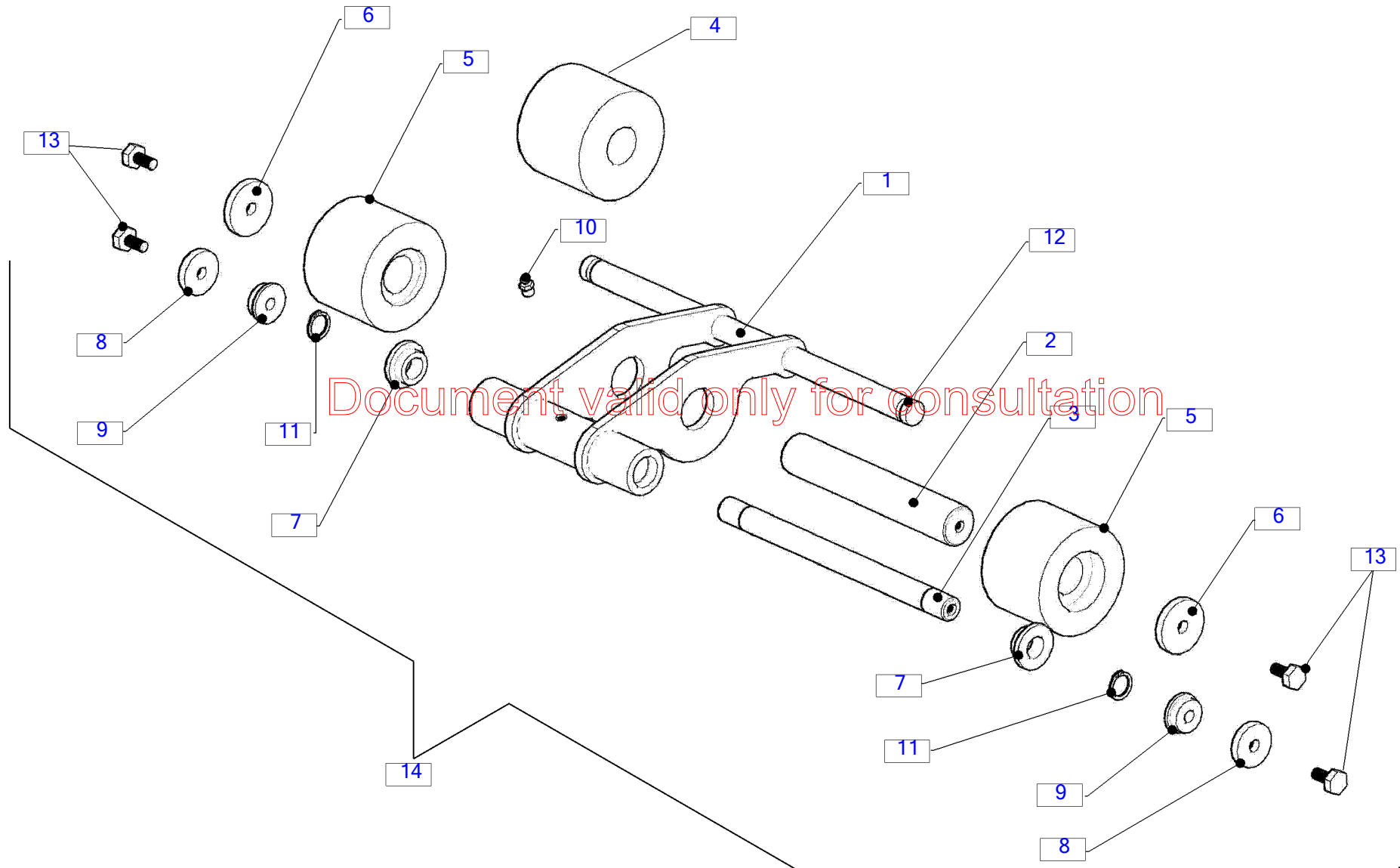
POS.	CODE	Q.TY	UNIT	DESCRIPTION
43	5T.60104050	1		SCREW
44	5T.60601014	1		ELASTIC PIN
45	5T.60104050	1		SCREW
46	5T.10210004	1		BODY ON REDUCER SIDE
47	5T.12110062	1		SOLAR SHAFT
48	5T.11810016	1		REDUCER CROWN
49	5T.60104015	1		SCREW
50	5T.11710020	1		BRAKE BODY
51	5T.13710105	1		FASTENING PLATE
52	5T.11510019	1		DISC HOLDER GEAR
55	5T.11610026	1		BRAKE PISTON
56	5T.19812192	1		DRUM
57	5T.69901068	1		GASKETS KIT
58	BEP0285	1		PULL LIMITER
59	5T.19710152	1		TIMED MICROSWITCH

Document valid only for consultation



POS.	CODE	Q.TY	UNIT	DESCRIPTION
1	5T.60103110	1		SCREW
2	5T.61201026	1		NUT
3	5T.61602014	1		SPRING
4	5T.60106020	1		SCREW
5	5T.13710322	1		SPRINGS PULLING PLATE
6	5T.60603001	1		ELASTIC PIN
7	5T.30702031	1		CABLE GLAND ROLLER
8	5T.30702145	1		MICROSWITCH SPACER PLATE
9	5T.30702144	1		SPACER WASHER
10	5T.12710388	1		AXLE PIN
11	5T.19825292	1		CABLE GLAND SUPPORT
12	5T.13710323	1		MICROSWITCH PROBE PLATE
13	BAL5112	1		WASHER
14	5T.64404002	1		PLASTIC BUSH
15	BAG3116	1		NUT
16	BAA7155	1		SCREW
17	5T.60101095	1		SCREW
18	5T.30702034	1		LIMIT SWITCH CABLE GLAND ROLLER
19	5T.63007005	1		BUTTON MICROSWITCH
20	5T.60109004	1		SCREW

Document valid only for consultation



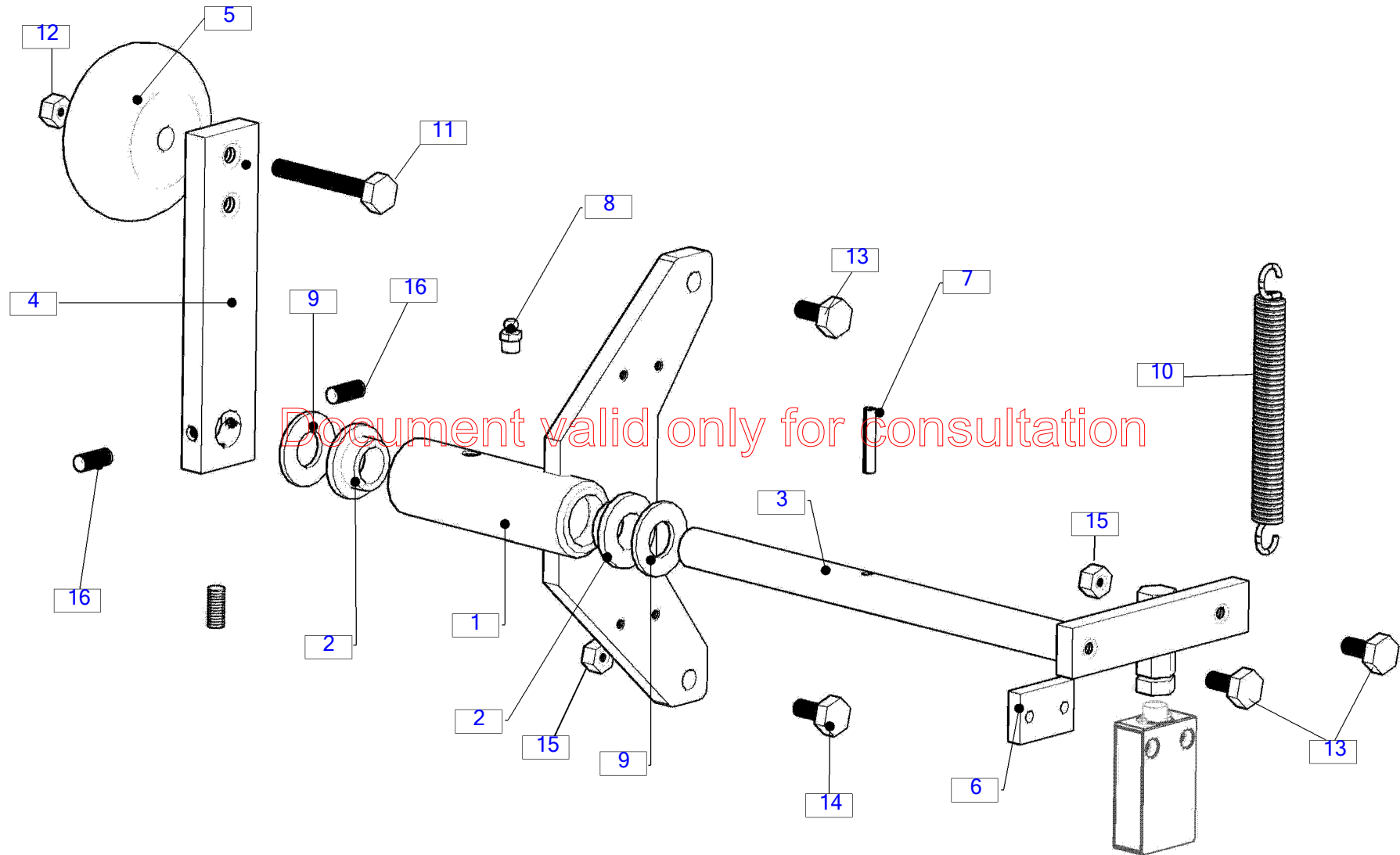


WINCH - CABLE GLAND (BMF1155)

Reference: p4-bmf1155-030

POS.	CODE	Q.TY	UNIT	DESCRIPTION
1	3P.4810	1		LEVER
2	3P.4811	1		ROLLERS PIN
3	3P.4812	1		LEVER PIN
4	3P.4813	1		CENTRAL ROLLER
5	3P.4814	2		ROLLER
6	3P.4815	2		WASHER
7	3P.4816	2		WASHER
8	3P.4817	2		WASHER
9	3P.4818	2		BUSH
10	BW11102	1		LUBRICATOR
11	BWQ2102	2		SEEGER
12	3P.430-7	2		SPRING
13	BAA7204	1		SCREW
14	3P.5400	1		CABLE GLAND KIT

Document valid only for consultation



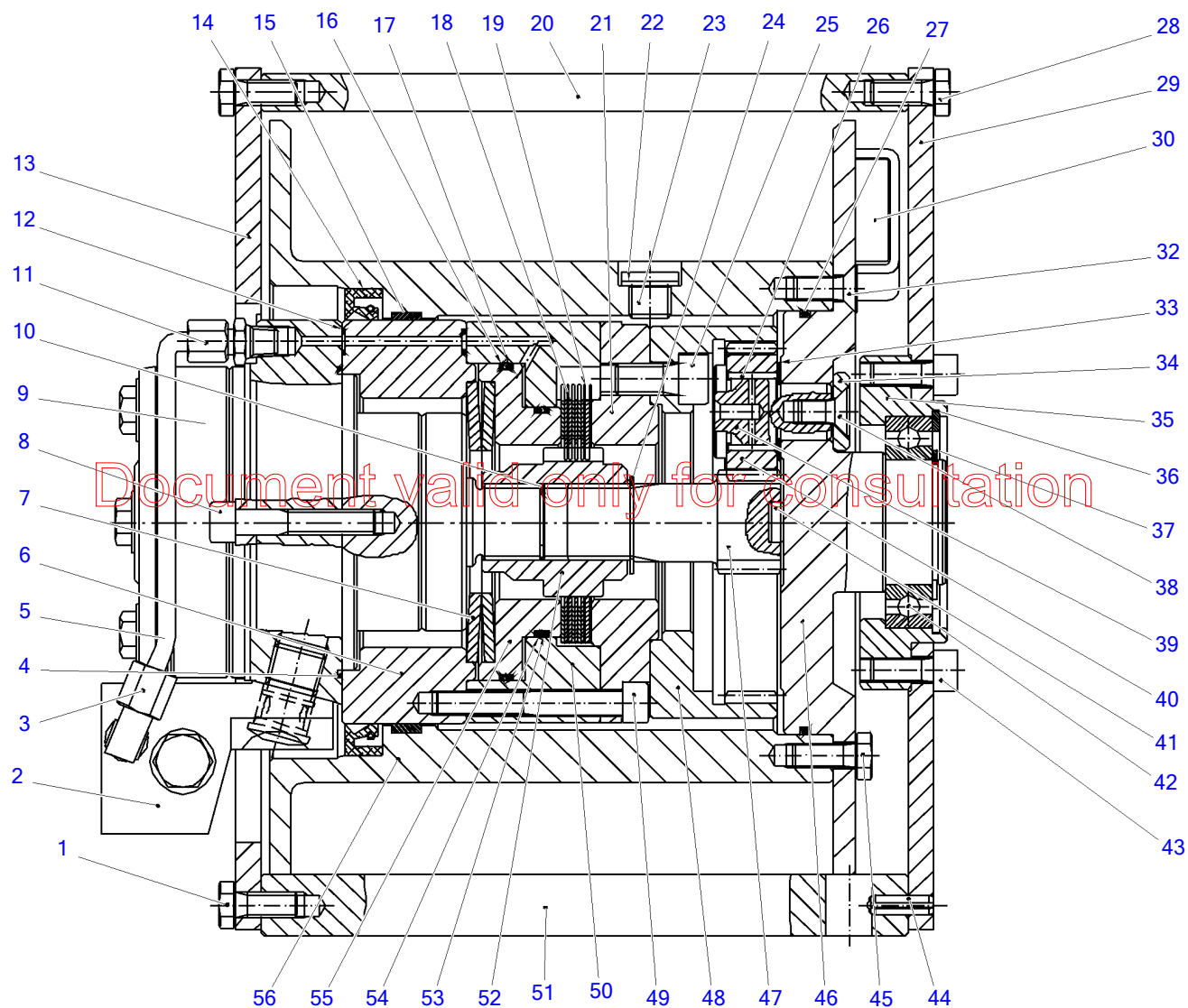


WINCH - LIMIT SWITCH (BMF1155)

Reference: p4-bmf1155-040

POS.	CODE	Q.TY	UNIT	DESCRIPTION
1	3P.4800	1		LIMIT SWITCH SUPPORT
2	3P.4801	2		WASHER
3	3P.4802	1		LEVER
4	3P.4803	1		SUPPORT
5	3P.4804	1		WHEEL
6	3P.4805	1		MICRO SUPPORT METAL SHEET
7	BWS5100	1		PIN
8	BWI1102	1		LUBRICATOR
9	BAL5118	2		WASHER
10	3P.4304	1		SPRING
11	BAA7259	1		SCREW
12	BAG4118	1		NUT
13	BAA7204	1		SCREW
14	BAA7206	1		SCREW
15	BAG4117	1		NUT
16	BAC1109	1		DOWEL

Document valid only for consultation



POS.	CODE	Q.TY	UNIT	DESCRIPTION
1	5T.60102008	8		SCREW
2	5T.61901018	1		VALVE
3	5T.62001006	1		FITTING
4	5T.60301010	1		O-RING
5	5T.12910061	1		PIPE
6	5T.11010214	1		DRUM SUPPORT RING
7	5T.61601015	2		BELLEVILLE WASHER
8	5T.60104052	6		SCREW
9	5T.19710167	1		ENGINE
10	5T.60401023	1		CIRCLIP
11	5T.62001016	1		CONICAL FITTING
12	5T.60301001	1		O-RING GASKET
13	5T.13610056	1		SUPPORT ON ENGINE SIDE
14	5T.60902002	1		SEALING RING
15	5T.60307001	1		RING IN ANTI- FRICTION MATERIAL
16	5T.61701003	1		ANTI-EXTRUSION RING
17	5T.60302010	1		O-RING GASKET
18	5T.60801008	5		STEEL DISC
19	5T.60801003	6		STEEL DISC
20	5T.10310063	1		SUPPORTS SPACER
21	5T.11010213	1		BRAKE CLOSING RING
22	5T.61001003	1		WASHER
23	5T.61801004	1		METAL PLUG
24	5T.60402019	1		CIRCLIP FOR SHAFT
25	5T.60104016	6		SCREW
26	5T.60208001	108		ROLLER
27	5T.60302001	1		O-RING
28	5T.60102008	1		SCREW
29	5T.13610055	1		SUPPORT ON REDUCTION UNIT SIDE
30	5T.10610003	1		DROP THIMBLE
32	5T.60105007	2		SCREW
33	5T.62301005	3		FIFTH WHEEL
34	5T.13310012	3		RETAINING WASHER
35	5T.12510051	1		BEARING FASTENING FLANGE
36	5T.60401002	1		CIRCLIP FOR HOLE

Document valid only for consultation

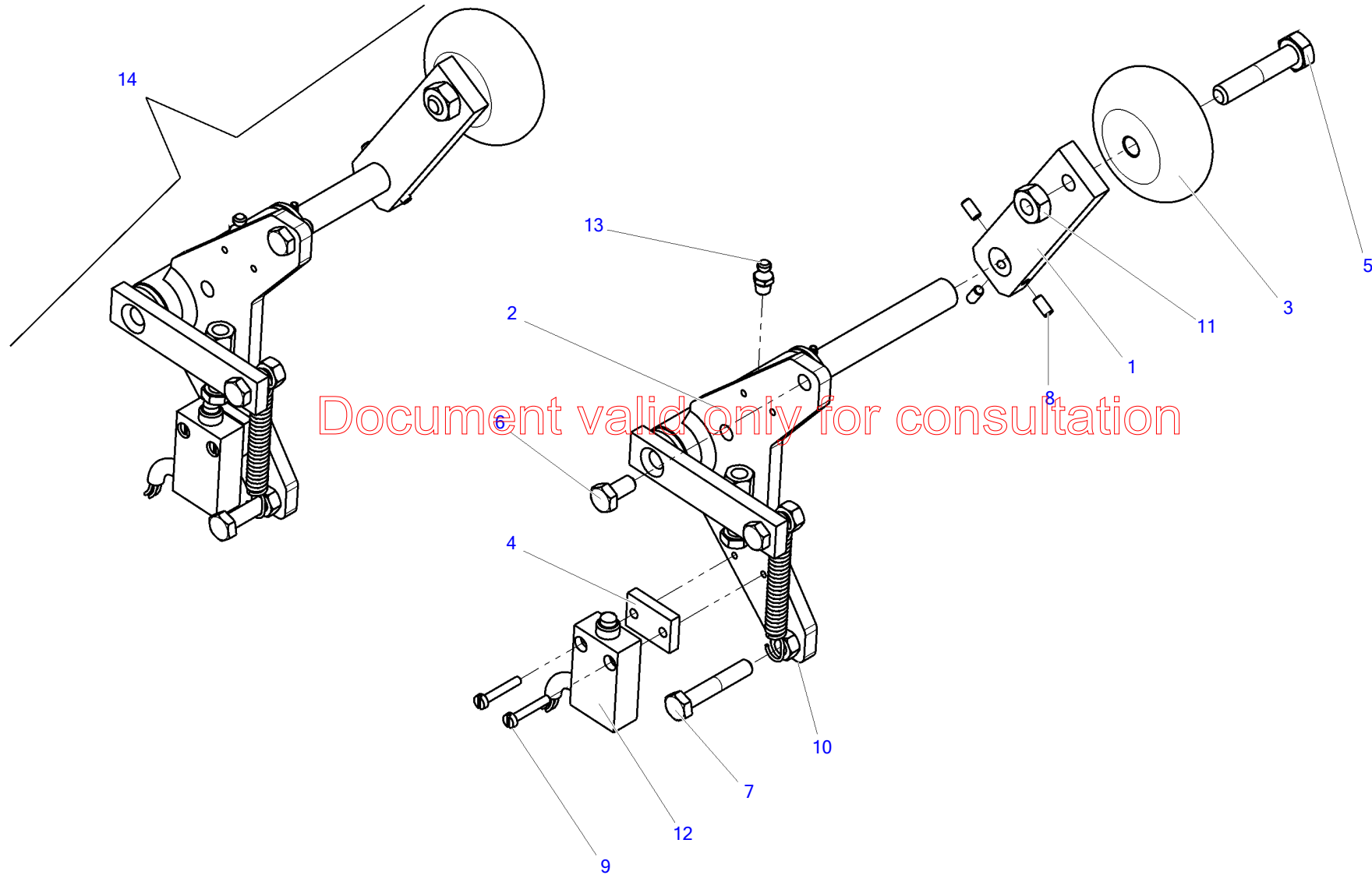


WINCH - SPARE PARTS 1 (BMF1156)

Reference: p4-bmf1156-010

POS.	CODE	Q.TY	UNIT	DESCRIPTION
37	5T.60402001	1		CIRCLIP FOR SHAFT
38	5T.60105006	3		SCREW
39	5T.12710020	3		SATELLITE PIN
40	5T.13210010	3		SATELLITE
41	5T.30702006	1		SHIM PAD
42	5T.60202007	1		BALL BEARING
43	5T.60104050	4		SCREW
44	5T.60601014	4		ELASTIC PIN
45	5T.60102008	4		SCREW
46	5T.10210004	1		BODY ON REDUCER SIDE
47	5T.12110062	1		SOLAR SHAFT
48	5T.11810016	1		REDUCER CROWN
49	5T.60104015	6		SCREW
50	5T.11710020	1		BRAKE BODY
51	5T.13710105	1		FASTENING PLATE
52	5T.11510019	1		DISC HOLDER GEAR
53	5T.61701010	1		ANTI-EXTRUSION RING
54	5T.60302023	1		O-RING
55	5T.11610026	1		BRAKE PISTON
56	5T.19812192	1		DRUM

Document valid only for consultation



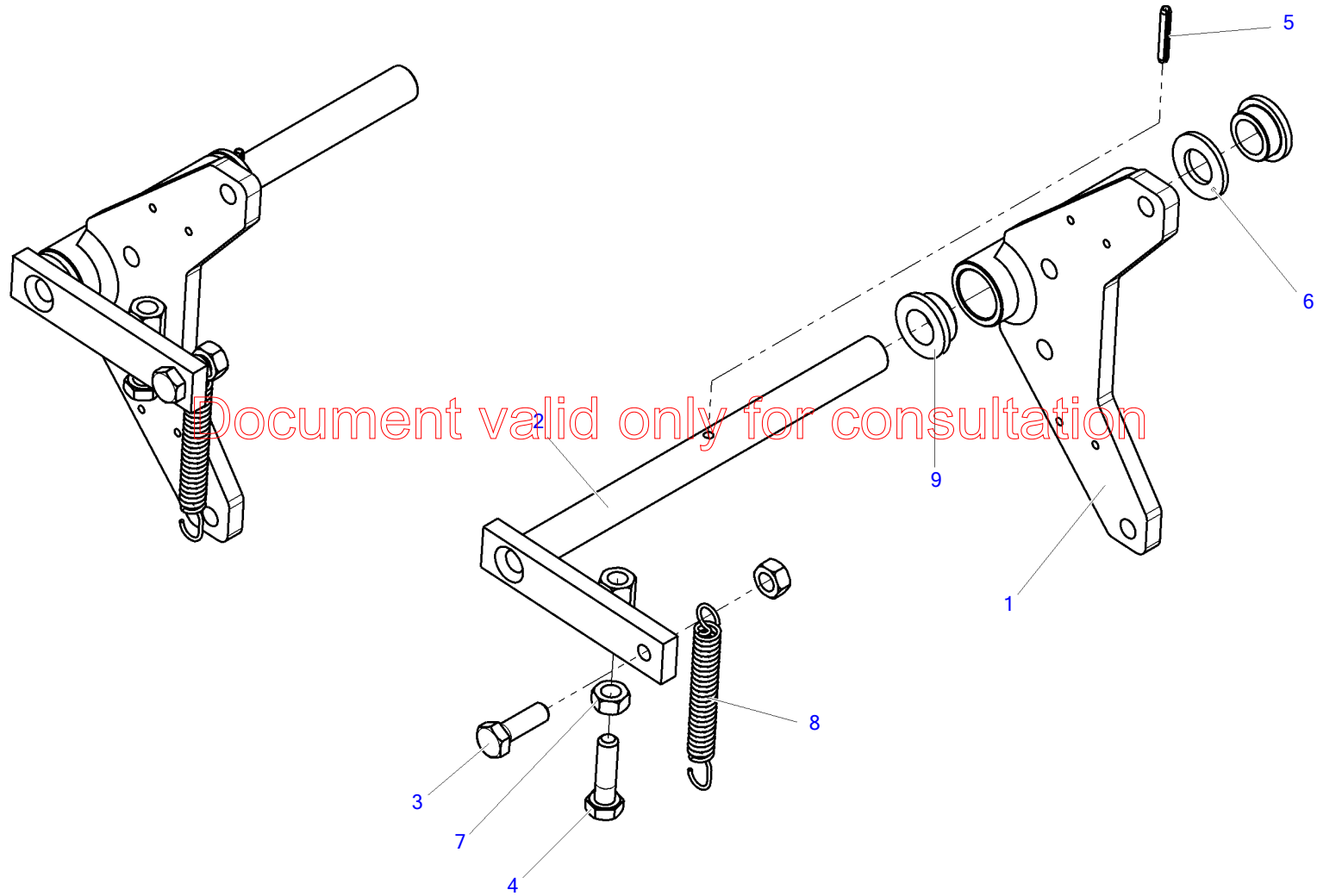


LIMIT SWITCH (BMF1156)

Reference: p4-bmf1156-020

POS.	CODE	Q.TY	UNIT	DESCRIPTION
1	5T.13710191	1		PLATE
2	5T.19925001	1		SUPPORT
3	5T.30702010	1		ROLLER
4	5T.30702024	1		PLATE
5	5T.60101090	1		SCREW
6	5T.60102040	1		SCREW
7	5T.60102047	1		SCREW
8	5T.60106001	3		SCREW
9	5T.60109001	2		SCREW
10	5T.61201002	1		NUT
11	5T.61201025	1		NUT
12	5T.63007005	1		BUTTON MICROSWITCH
13	5T.63901001	1		STRAIGHT LUBRICATOR
14	3P.5700	1		LIMIT SWITCH KIT

Document valid only for consultation



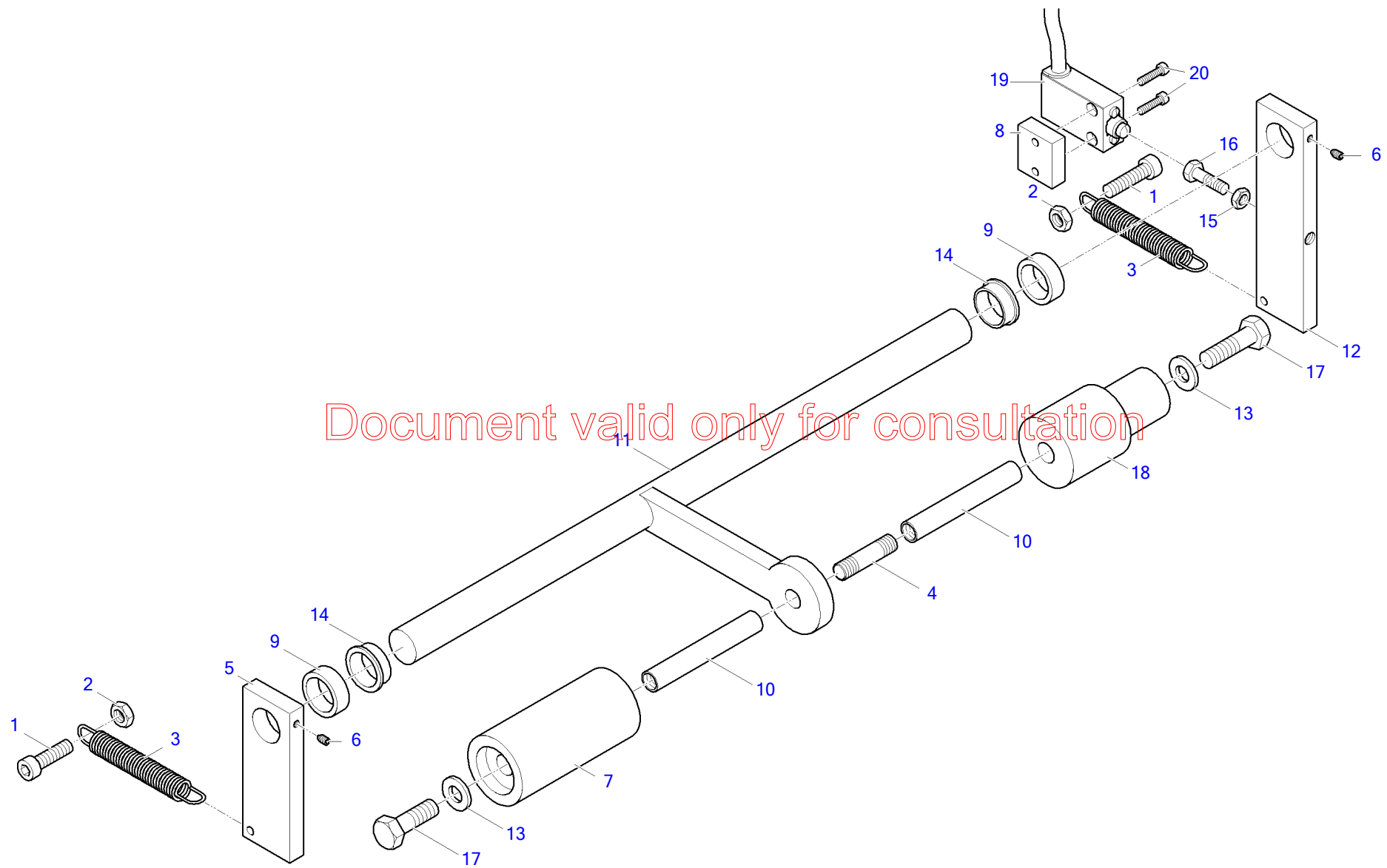


LIMIT SWITCH (BMF1156)

Reference: p4-bmf1156-030

POS.	CODE	Q.TY	UNIT	DESCRIPTION
1	5T.19825163	2		LIMIT SWITCH SUPPORT
2	5T.19825164	1		PIN
3	5T.60102035	1		SCREW
4	5T.60102041	2		SCREW
5	5T.60601018	1		ELASTIC PIN
6	5T.61101004	1		WASHER
7	5T.61201002	1		NUT
8	5T.61602011	1		SPRING
9	5T.64404002	1		PLASTIC BUSH

Document valid only for consultation



Document valid only for consultation



CABLE GLAND (BMF1156)

Reference: p4-bmf1156-040

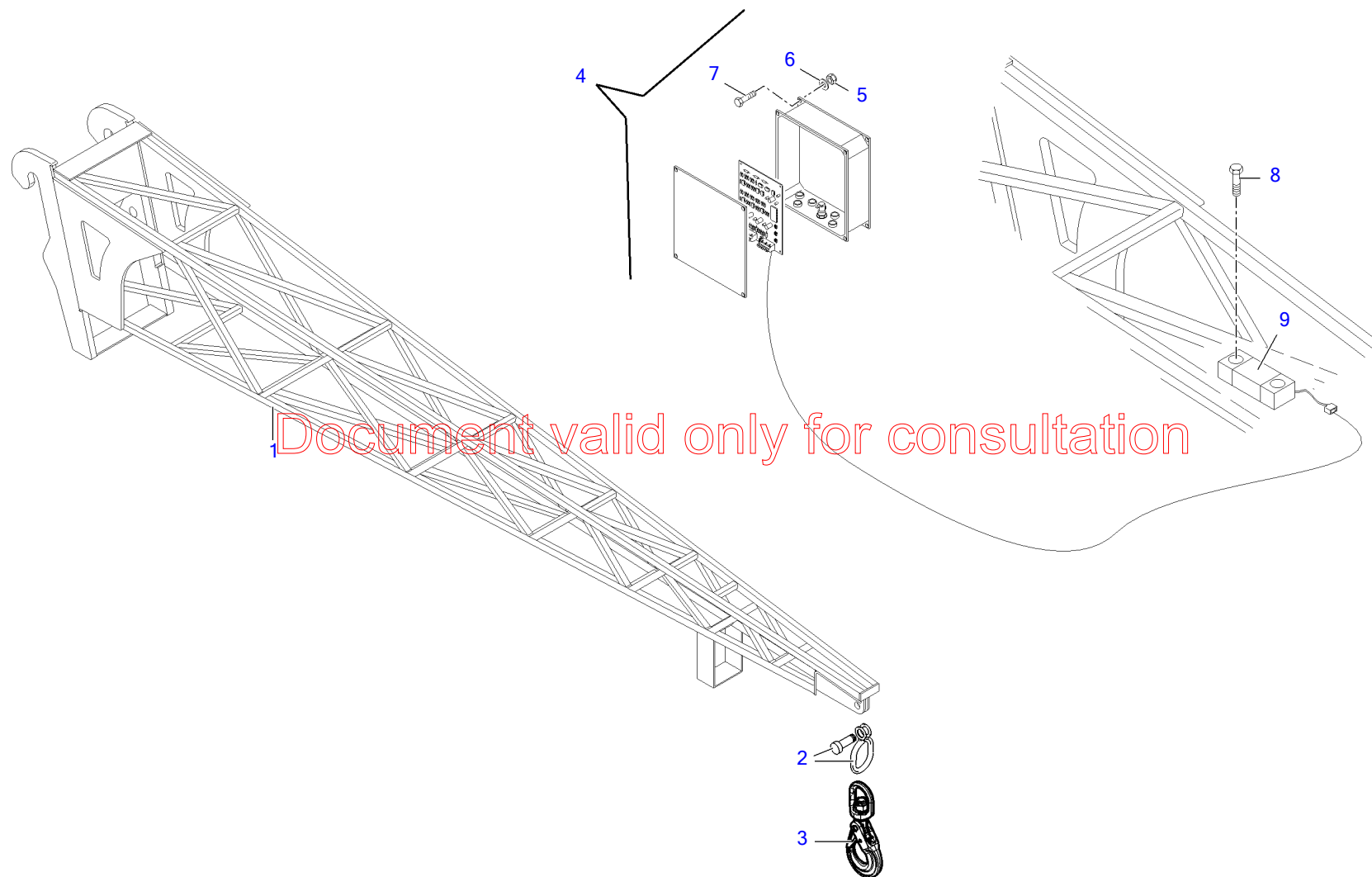
POS.	CODE	Q.TY	UNIT	DESCRIPTION
1	5T.60103110	1		SCREW
2	5T.61201026	1		NUT
3	5T.61602014	1		SPRING
4	5T.60106020	1		SCREW
5	5T.13710322	1		SPRINGS PULLING PLATE
6	5T.60603001	1		ELASTIC PIN
7	5T.30702032	1		CABLE GLAND ROLLER
8	5T.30702145	1		MICROSWITCH SPACER PLATE
9	5T.30702144	1		SPACER WASHER
10	5T.12710388	1		AXLE PIN
11	5T.19825293	1		CABLE GLAND SUPPORT
12	5T.13710323	1		MICROSWITCH PROBE PLATE
13	BAL5112	1		WASHER
14	5T.64404002	1		PLASTIC BUSH
15	BAG3116	1		NUT
16	BAA7155	1		SCREW
17	5T.60101095	1		SCREW
18	5T.30702035	1		LIMIT SWITCH CABLE GLAND ROLLER
19	5T.63007005	1		BUTTON MICROSWITCH
20	5T.60109004	1		SCREW

Document valid only for consultation



DESCRIPTION	REFERENCE	PAGE
JIB CRANE EXTENSION L = 1.3 M WITH HOOK (BUD4404)	P5-00010_00	168
JIB CRANE EXTENSION L = 2.5 M WITH HOOK (BUD4366)	P5-00020_00	169
JIB L = 1.00 M WITH HOOK (CAPACITY 2.0 T) (BUD4383)	P5-00030_00	170
HOOK FOR FORK CARRIAGE (BUB2486)	P5-00040_00	171

Document valid only for consultation



Document valid only for consultation

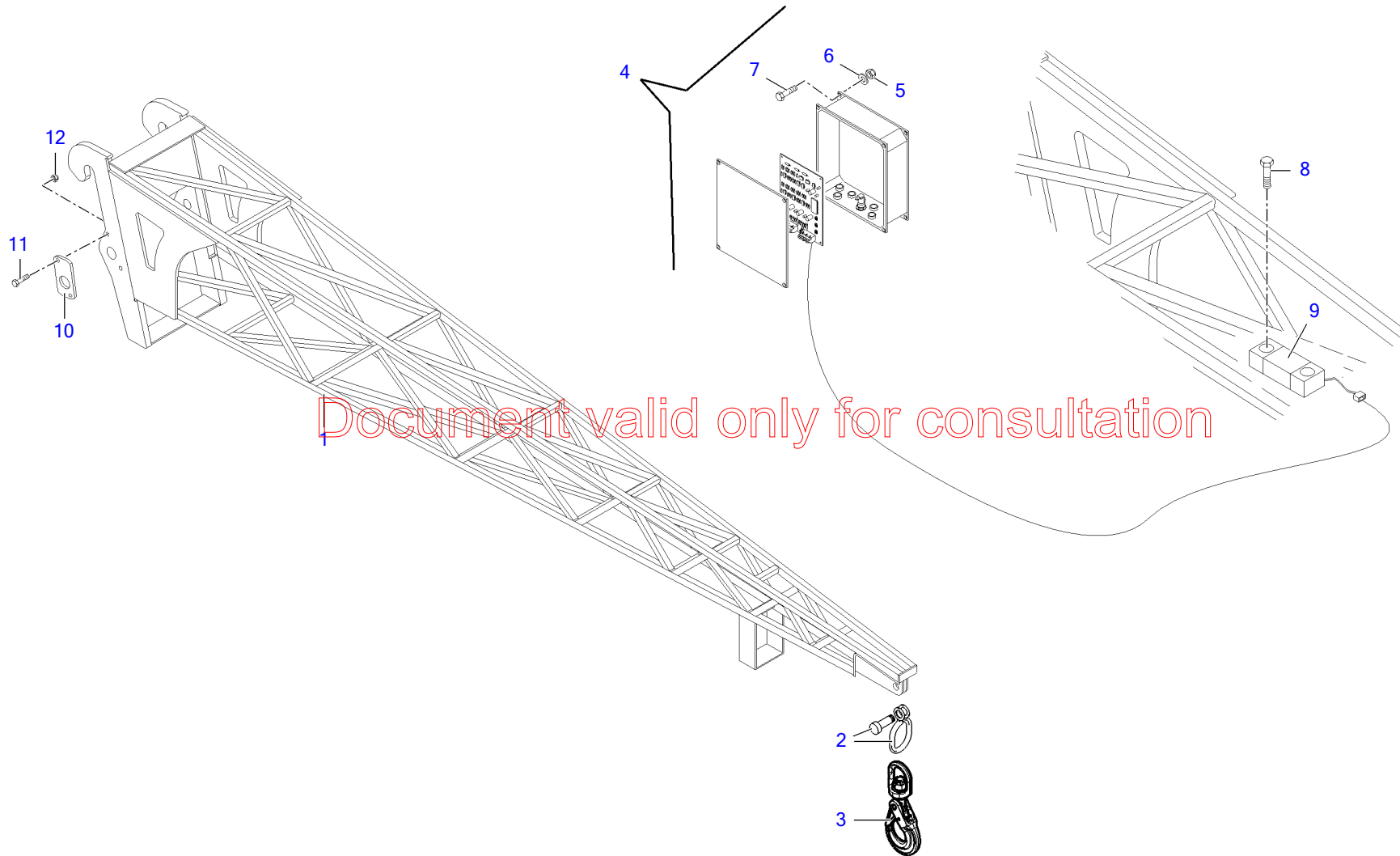


JIB CRANE EXTENSION L = 1.3 M WITH HOOK (BUD4404)

Reference: p5-00010_00

POS.	CODE	Q.TY	UNIT	DESCRIPTION
1	BUD4403/0G	1		JIB CRANE
2	BVU2169	1		SHACKLE
3	BVU2410	1		HOOK
4	BEP0249/LE	1		CONTROL UNIT
5	BAG4116	1		NUT
6	BAL5110	1		WASHER
7	BAB5152	1		SCREW
8	BAA7252	1		SCREW
9	BEP0202	1		EXTENSOMETRIC TRANSDUCER

Document valid only for consultation



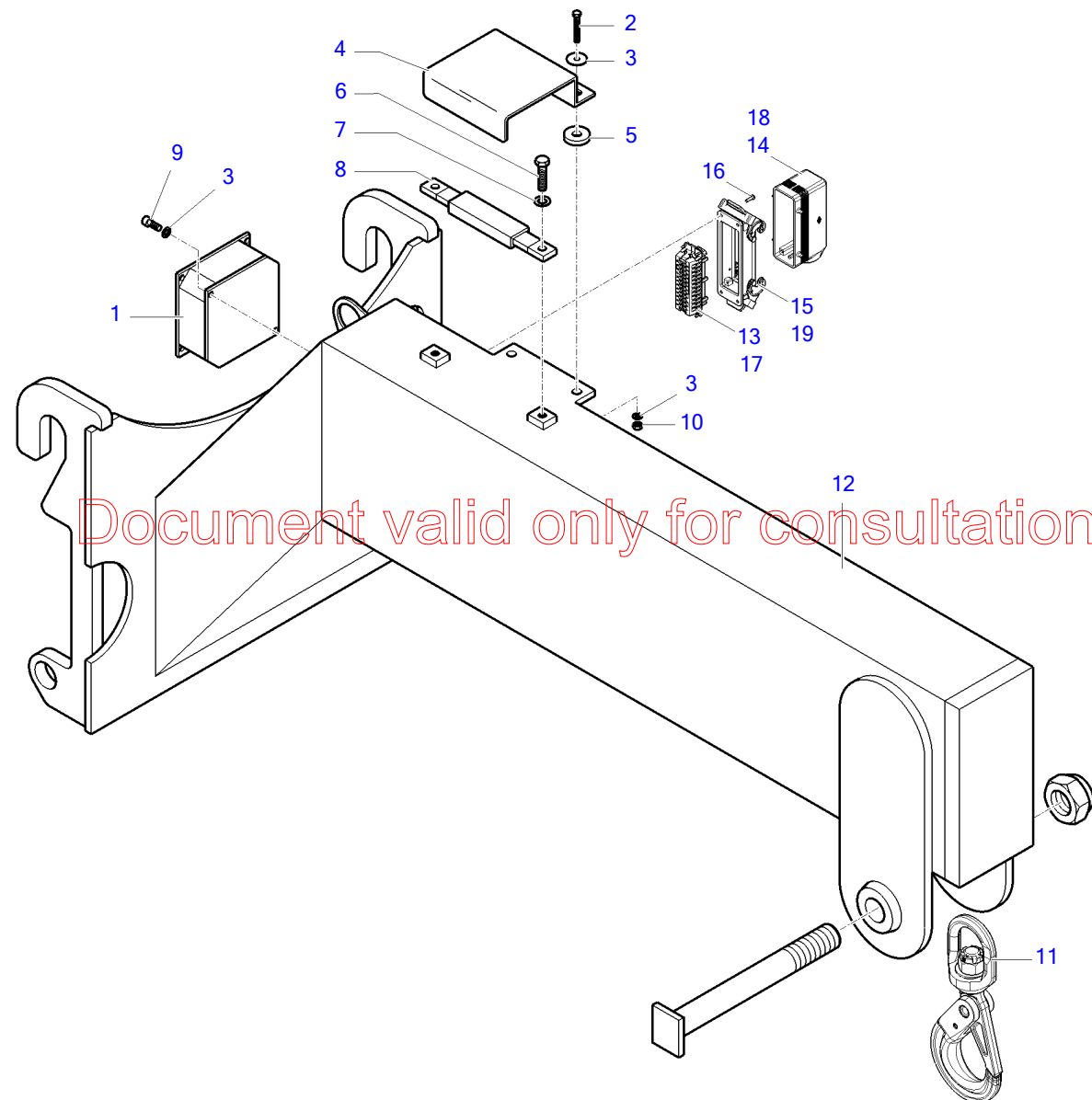


JIB CRANE EXTENSION L = 2.5 M WITH HOOK (BUD4366)

Reference: p5-00020_00

POS.	CODE	Q.TY	UNIT	DESCRIPTION
1	BUD4367/0G	1		JIB CRANE
2	BVU2155	1		CLAMP
3	BVU2410	1		HOOK
4	BEP0249/LE	1		CONTROL UNIT
5	BAG4116	1		NUT
6	BAL5110	1		WASHER
7	BAB5152	1		SCREW
8	BAA7252	1		SCREW
9	BEP0202	1		EXTENSOMETRIC TRANSDUCER
10	CVC5143/0G	1		PIN HOOKING PLATE
11	BAA7307	1		SCREW
12	BAG4119	1		NUT

Document valid only for consultation



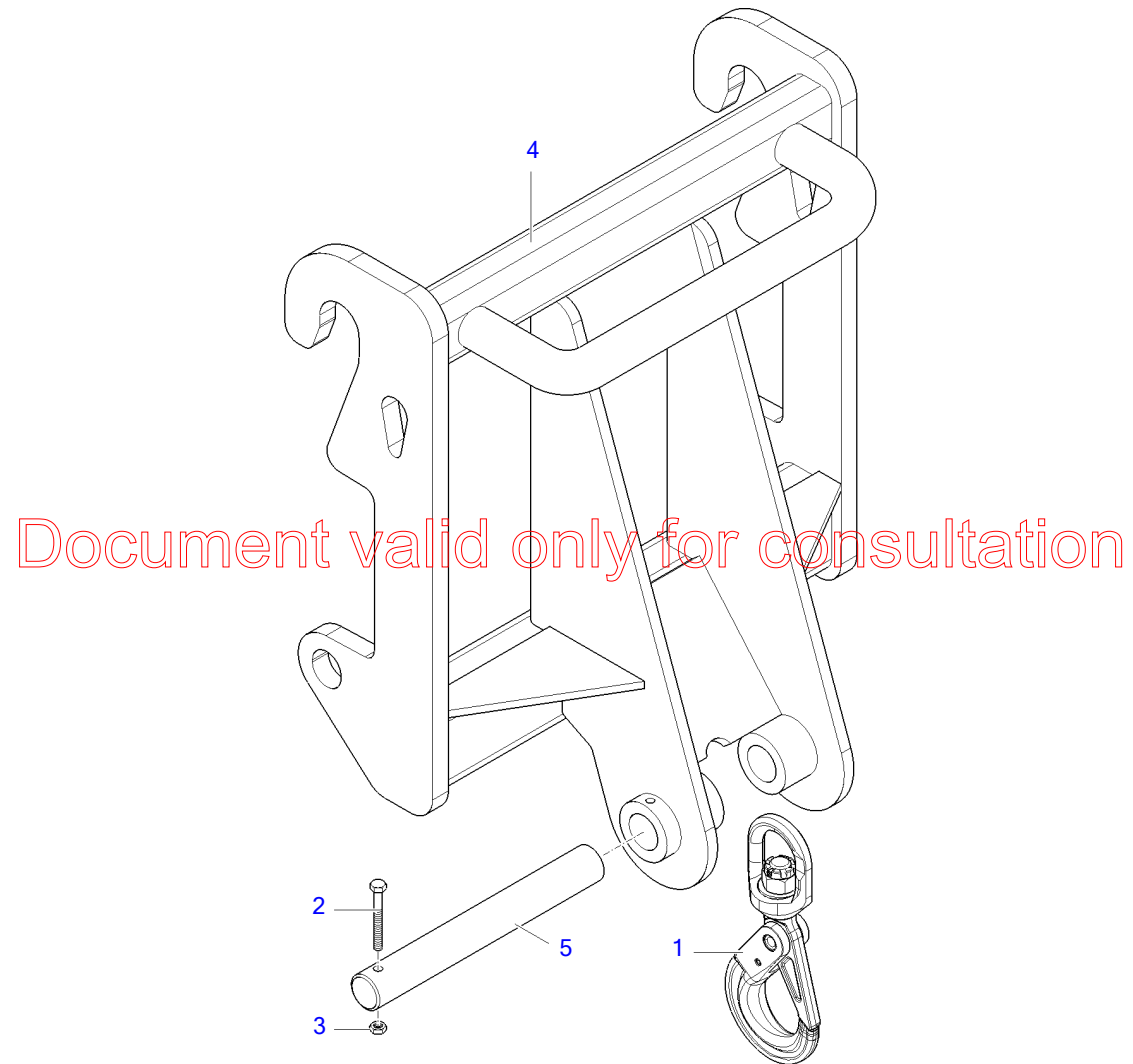


JIB L = 1.00 M WITH HOOK (CAPACITY 2.0 T) (BUD4383)

Reference: p5-00030_00

POS.	CODE	Q.TY	UNIT	DESCRIPTION
1	BEP0249/LE	1		CONTROL UNIT
2	BAA7156	1		SCREW
3	BAL5110	1		WASHER
4	CVC7761/CL	1		METAL SHEET
5	POB6001/2	1		WASHER
6	BAA7252	1		SCREW
7	BAL5114	1		WASHER
8	BEP0202	1		EXTENSOMETRIC TRANSDUCER
9	BAB5152	1		SCREW
10	BAG4118	1		NUT
11	BVU2410	1		HOOK
12	BUD4383/1	1		JIB
13	1P.ILMCNF24	1		SOCKET
14	1P.ILMCHO24	1		ELECTRICAL PLUG 24
15	1P.ILMCHI24	1		PLUG HOLDER 24
16	BAE1250	1		SCREW
17	1P.ILMCNF06	1		SOCKET
18	1P.ILMCH006L13	1		MOVABLE HOUSING
19	1P.ILMCHI06LS	1		SOCKET

Document valid only for consultation





HOOK FOR FORK CARRIAGE (BUB2486)

Reference: p5-00040_00

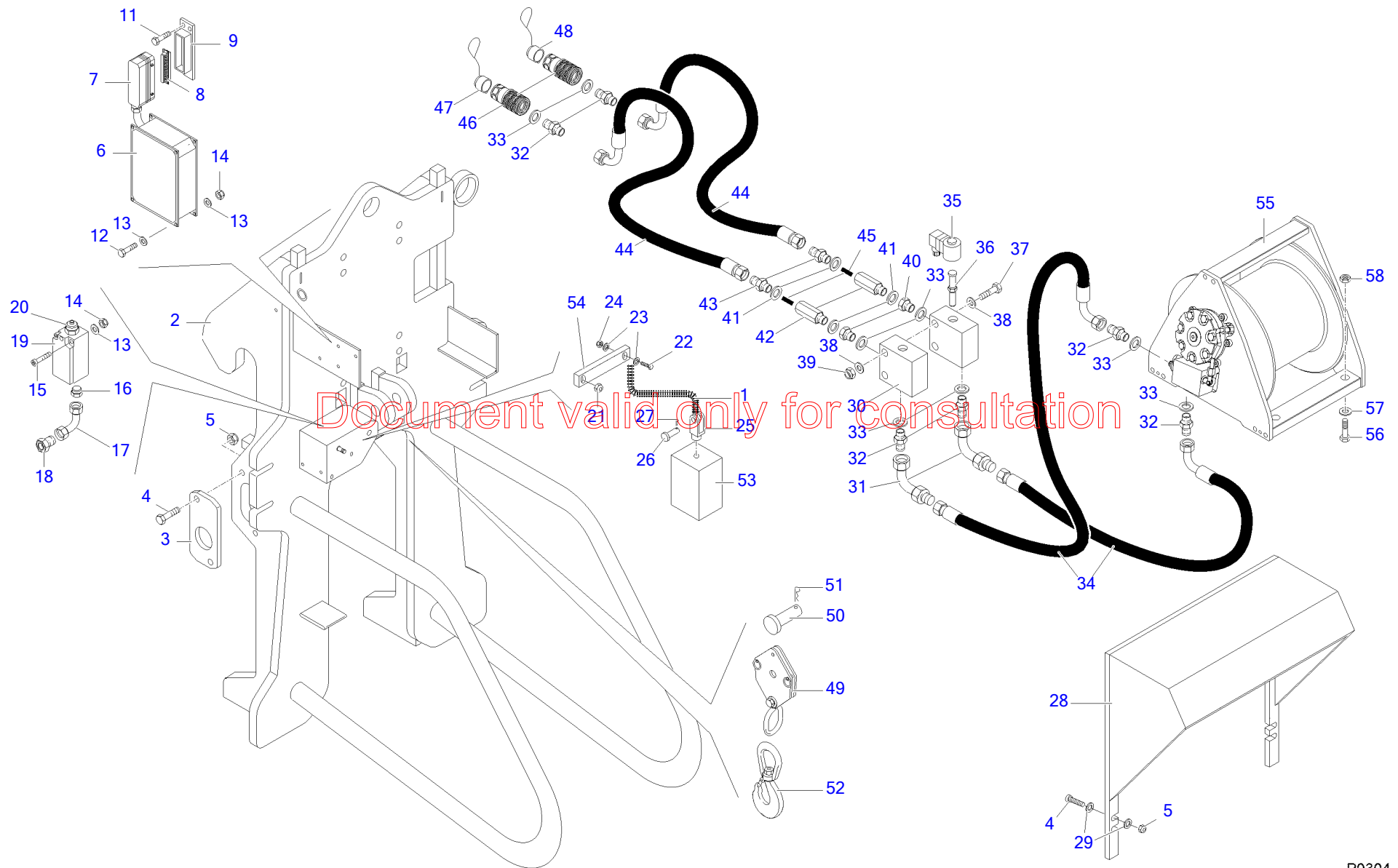
POS.	CODE	Q.TY	UNIT	DESCRIPTION
1	BVU2423	1		HOOK
2	BAA7266	1		SCREW
3	BAG4118	1		NUT
4	BCN5372/0G	1		HOOK SUPPORT
5	BRI4527/1	1		PIN

Document valid only for consultation



DESCRIPTION	REFERENCE	PAGE
WINCH FOR FORK CARRIAGE (2.5 T CAPACITY) DOUBLE PULL (BUD4237)	P6-00010_00	173
WINCH (BMF1144)	P6-BMF1144-010	174
WINCH - CABLE GLAND (BMF1144)	P6-BMF1144-020	175

Document valid only for consultation





WINCH FOR FORK CARRIAGE (2.5 T CAPACITY) DOUBLE PULL (BUD4237)

Reference: p6-00010_00

POS.	CODE	Q.TY	UNIT	DESCRIPTION
1	BVS2017	1	M	CHAIN
2	BCN9977/0D2	1		SUPPORT
3	CVC5143/0D2	1		PIN HOOKING PLATE
4	BAA7307	1		SCREW
5	BAG4119	1		NUT
6	BEK7088	1		ET ON-OFF CONTROL UNIT
7	1P.ILMCHO24	1		ELECTRICAL PLUG 24
8	1P.ILMCNM24	1		SOCKET 24
9	1P.ILMCHI24	1		PLUG HOLDER 24
11	BAE1250	1		SCREW
12	BAB5102	1		SCREW
13	BAL5108	1		WASHER
14	BAG4115	1		NUT
15	BAB5107	1		SCREW
16	1P.RTG86763	1		REDUCTION
17	1P.RTG86282	1		FITTING
18	1P.RTG82911	1		FITTING
19	2E.TEZCKJ1	1		BODY
20	2E.TEZCKE65	1		MICROSWITCH SENSOR
21	BAG4118	1		NUT
22	BAB5153	1		SCREW
23	BAL5109	1		WASHER
24	BAG4101	1		NUT
25	BWR3100	1		FORK
26	BWR2110	1		PIN
27	BWH1103	1		COTTER PIN
28	BCD8149/0G	1		HOUSING
29	BAL5117	1		WASHER
30	BHE1362	1		COLLECTOR
31	BHA1040	1		CURVE FITTING
32	BHA0128	1		NIPPLE
33	BHG4730	1		WASHER
34	BKU4550	1		PIPE
35	BHE1376	1		SOLENOID
36	BHE1359	1		VALVE

Document valid only for consultation

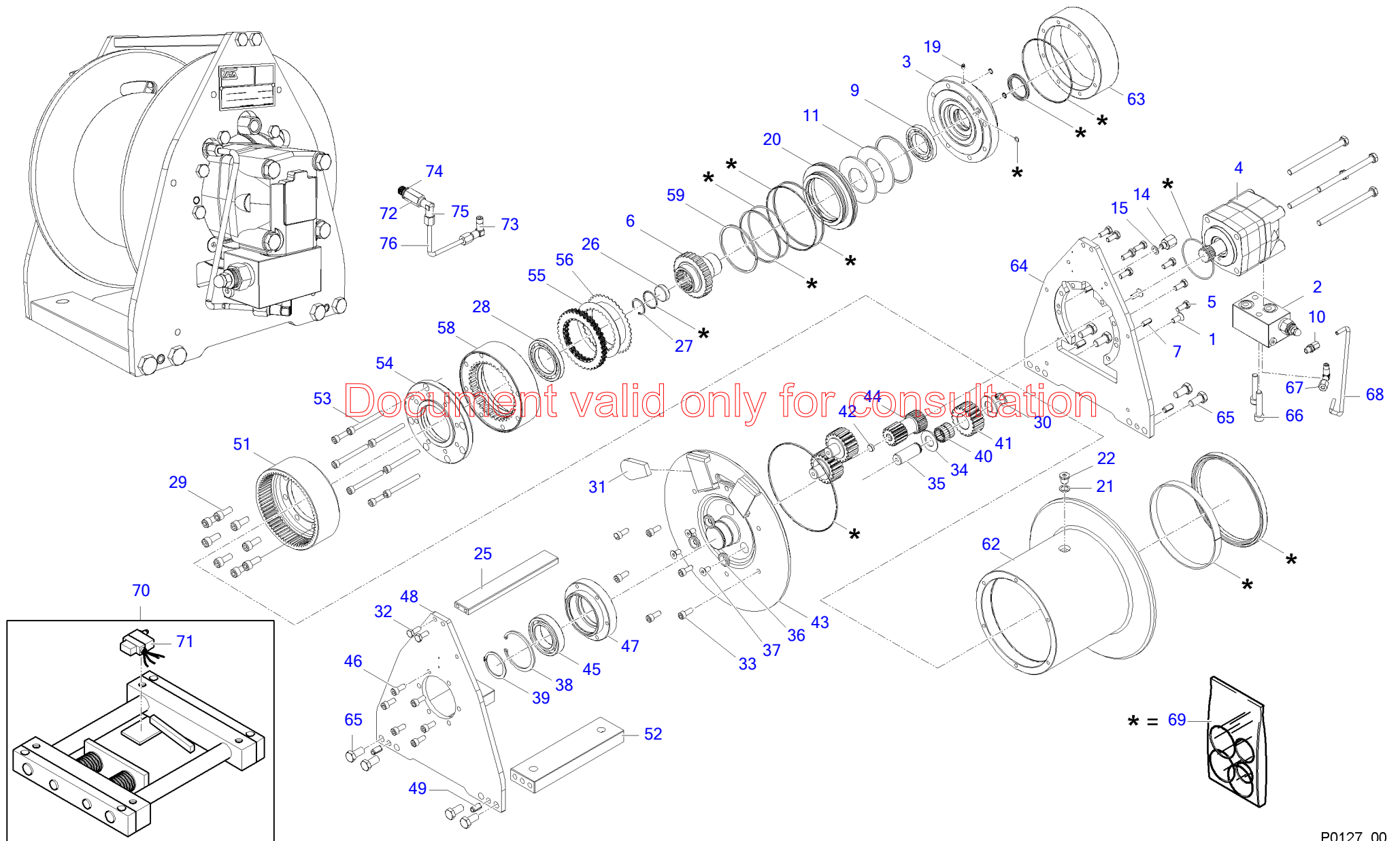


WINCH FOR FORK CARRIAGE (2.5 T CAPACITY) DOUBLE PULL (BUD4237)

Reference: p6-00010_00

POS.	CODE	Q.TY	UNIT	DESCRIPTION
37	BAA7168	1		SCREW
38	BAL5110	1		WASHER
39	BAG4101	1		NUT
40	BHA0625	1		COLUMN
41	BHG4728	1		WASHER
42	BHA0620	1		COLUMN
43	BHA0124	1		NIPPLE
44	BKU4750	1		PIPE
45	BHE1142	1		SOCKET FOR VALVE
46	BHA0860	1		QUICK COUPLING
47	BHA0852	1		BLUE CAP
48	BHA0862	1		RED CAP
49	BMF1189	1		CABLE HOLDER
50	BRD1100/CL	1		PIN
51	BWH1130	1		COTTER PIN
52	BVU2412	1		HOOK
53	★	1		NOT AVAILABLE ALONE
54	★	1		NOT AVAILABLE ALONE
55	BMF1144	1		WINCH
56	BAB5362	1		SCREW
57	BAL5118	1		WASHER
58	BAG4120	1		NUT

Document valid only for consultation





WINCH (BMF1144)

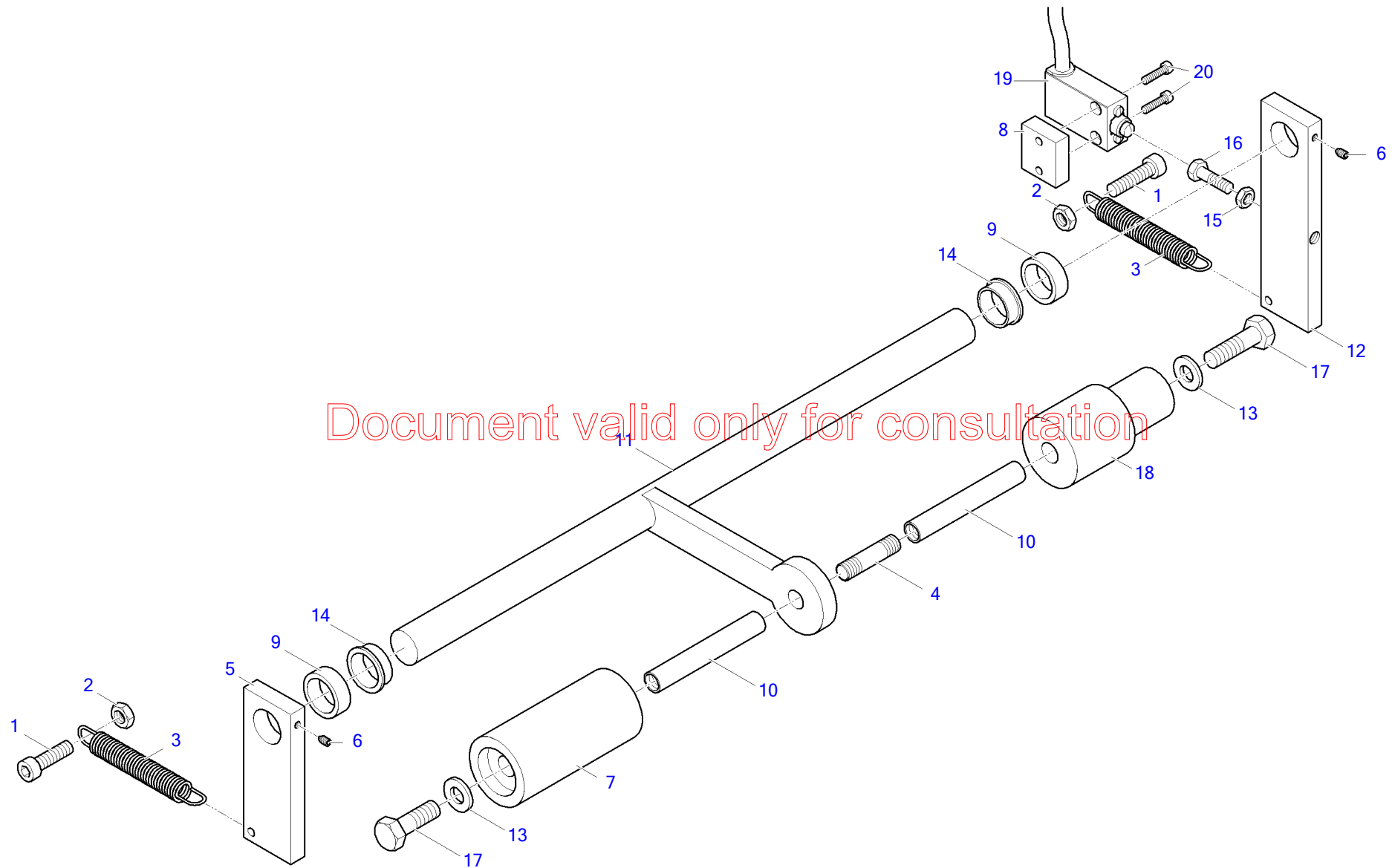
Reference: p6-bmf1144-010

POS.	CODE	Q.TY	UNIT	DESCRIPTION
1	5T.60105007	1		SCREW
2	5T.61901019	1		VALVE
3	5T.10410156	1		FASTENING FLANGE
4	5T.62101061	1		ORBITAL HYDRAULIC MOTOR
5	5T.60102008	1		SCREW
6	5T.11510041	1		DISC HOLDER GEAR
7	5T.60601007	1		ELASTIC PIN
9	5T.60201005	1		BALL BEARING
10	5T.62001003	1		CONICAL FITTING
11	5T.61601015	1		BELLEVILLE WASHER
14	5T.62003009	1		SHORT COLUMN
15	5T.61001004	1		COPPER WASHER
19	5T.61803001	1		EXPANSION PLUG
20	5T.11610047	1		BRAKE PISTON
21	5T.61001003	1		WASHER
22	5T.61801004	1		METAL PLUG
25	5T.10310064	1		SUPPORTS SPACER
26	5T.12210005	1		SHIM WASHER
27	5T.60401004	1		CIRCLIP FOR HOLE
28	5T.60201004	1		BALL BEARING
29	5T.60104033	1		SCREW
30	5T.60402031	1		CIRCLIP FOR SHAFT
31	5T.10610004	1		DROP THIMBLE
32	5T.60102008	1		SCREW
33	5T.60104050	1		SCREW
34	5T.13310062	1		SATELLITES WASHER
35	5T.12710357	1		SATELLITE PIN
36	5T.13310012	1		RETAINING WASHER
37	5T.60105006	1		SCREW
38	5T.60401001	1		CIRCLIP FOR HOLE
39	5T.60402002	1		CIRCLIP FOR SHAFT
40	5T.60208013	1		FLAT HEAD CYLINDRICAL ROLLER
41	5T.13210024	1		SATELLITE
42	5T.30702006	1		SHIM PAD
43	5T.19811281	1		BODY ON REDUCER SIDE

Document valid only for consultation

POS.	CODE	Q.TY	UNIT	DESCRIPTION
44	5T.12110081	1		SOLAR SHAFT
45	5T.60202018	1		BALL BEARING
46	5T.60104050	1		SCREW
47	5T.12510052	1		BEARING FASTENING FLANGE
48	5T.13610057	1		SUPPORT ON REDUCTION UNIT SIDE
49	5T.60601009	1		ELASTIC PIN
51	5T.11810025	1		REDUCER CROWN
52	5T.13710106	1		FASTENING PLATE
53	5T.60104101	1		SCREW
54	5T.11010372	1		BRAKE CLOSING RING
55	5T.60801011	1		STEEL DISC
56	5T.60801004	1		STEEL DISC
58	5T.19820021	1		BRAKE BODY GROUP
59	5T.60502015	1		BACK-UP RING
62	5T.19812195	1		DRUM
63	5T.11010217	1		DRUM SUPPORT RING
64	5T.13610058	1		SUPPORT ON ENGINE SIDE
65	5T.60102001	1		SCREW
66	5T.60104045	1		SCREW
67	5T.62001001	1		CONICAL FITTING
68	5T.12910054	1		PIPE
69	5T.69901200	1		GASKETS KIT
70	5T.9131064	1		PULL LIMITER
71	5T.19710152	1		TIMED MICROSWITCH
72	5T.61903003	1		VALVE
73	5T.62001001	1		CONICAL FITTING
74	5T.61001003	1		WASHER
75	5T.62001002	1		CONICAL FITTING
76	5T.12910085	1		PIPE

Document valid only for consultation



Document valid only for consultation



WINCH - CABLE GLAND (BMF1144)

Reference: p6-bmf1144-020

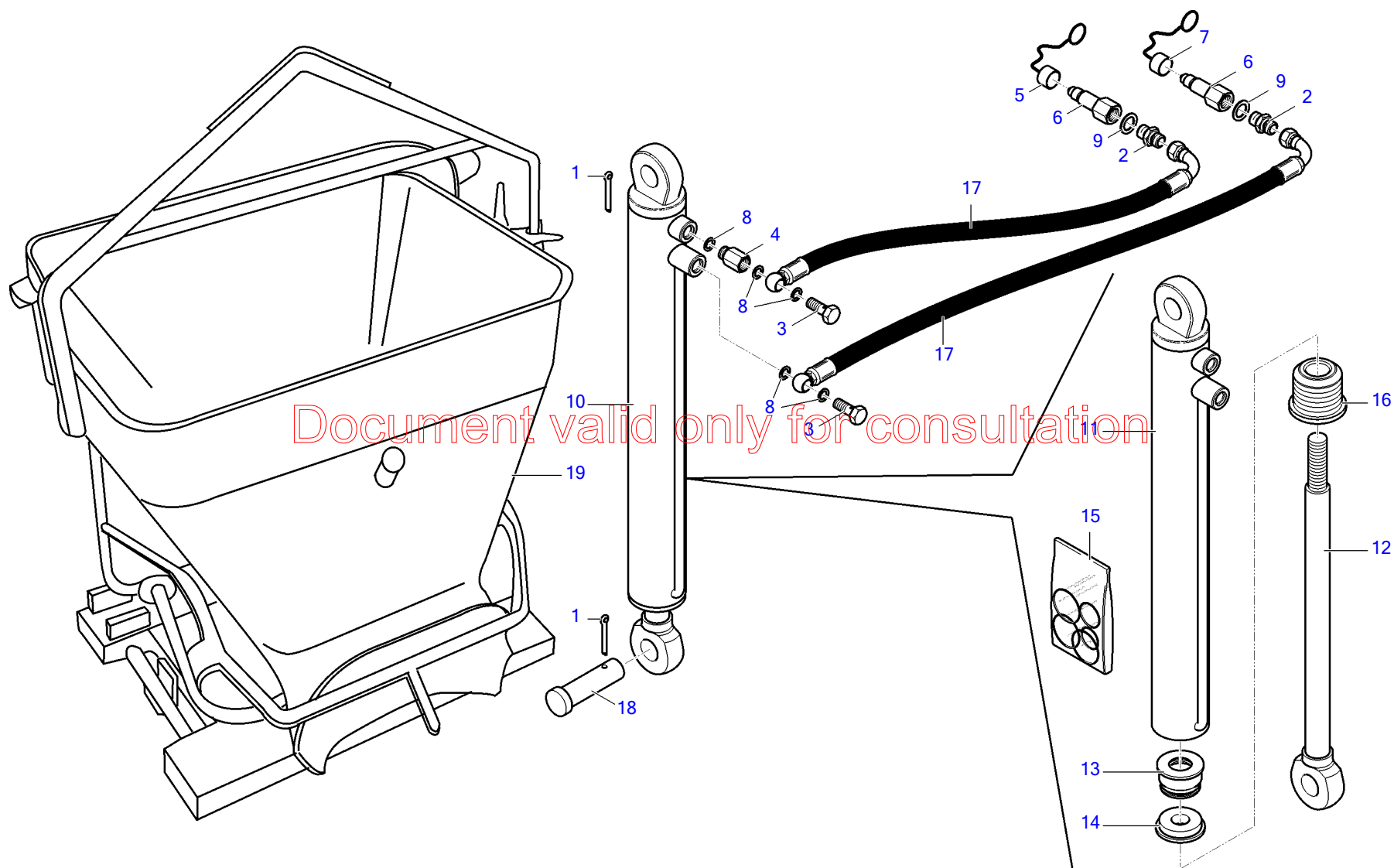
POS.	CODE	Q.TY	UNIT	DESCRIPTION
1	5T.60103110	1		SCREW
2	5T.61201026	1		NUT
3	5T.61602014	1		SPRING
4	5T.60106020	1		SCREW
5	5T.13710322	1		SPRINGS PULLING PLATE
6	5T.60603001	1		ELASTIC PIN
7	5T.30702032	1		CABLE GLAND ROLLER
8	5T.30702145	1		MICROSWITCH SPACER PLATE
9	5T.30702144	1		SPACER WASHER
10	5T.12710388	1		AXLE PIN
11	5T.19825293	1		CABLE GLAND SUPPORT
12	5T.13710323	1		MICROSWITCH PROBE PLATE
13	BAL5112	1		WASHER
14	5T.64404002	1		PLASTIC BUSH
15	BAG3116	1		NUT
16	BAA7155	1		SCREW
17	5T.60101095	1		SCREW
18	5T.30702035	1		LIMIT SWITCH CABLE GLAND ROLLER
19	5T.63007005	1		BUTTON MICROSWITCH
20	5T.60109004	1		SCREW

Document valid only for consultation



DESCRIPTION	REFERENCE	PAGE
LADLE 400L. HYDRAULIC OPENING	P8-00010_00	177

Document valid only for consultation





LADLE 400L. HYDRAULIC OPENING

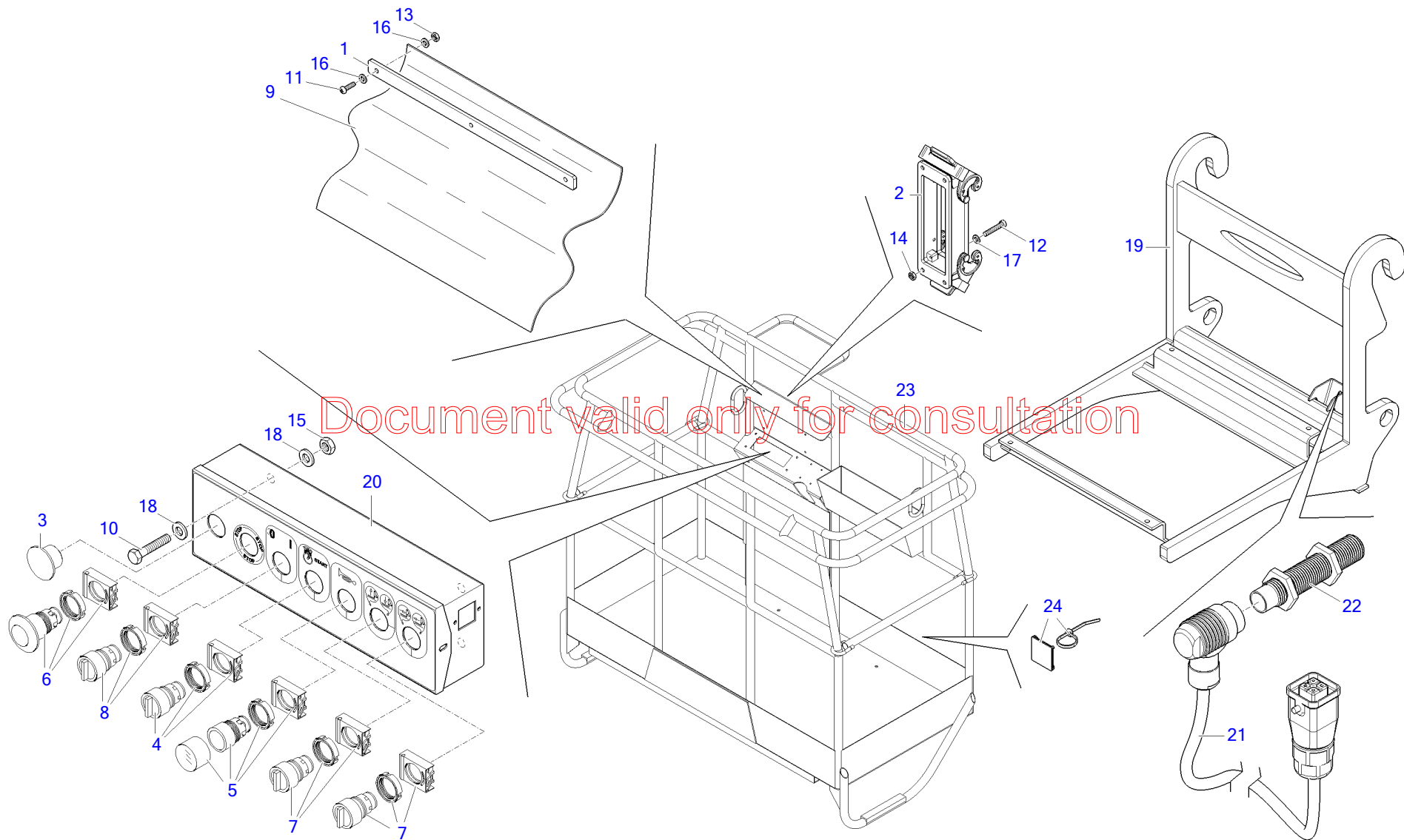
Reference: p8-00010_00

POS.	CODE	Q.TY	UNIT	DESCRIPTION
1	BWH1136	1		COTTER PIN
2	BHA0104	1		NIPPLE
3	BHA0403	1		PERFORATED SCREW
4	BHA0560	1		COLUMN
5	BHA0852	1		BLUE CAP
6	BHA0860	1		QUICK COUPLING
7	BHA0862	1		RED CAP
8	BHG4159	1		WASHER
9	BHG4730	1		WASHER
10	BHM0050	1		CYLINDER
11	BHR0153/P	1		LINER
12	BHR1151/P	1		ROD
13	BHR2142/P	1		PISTON
14	BHR2204	1		FLANGE
15	BHR3135	1		GASKETS KIT
16	BHR5139/P	1		HEAD
17	BKM8290	1		PIPE
18	BRD1127/CL	1		PIN
19	BUD3000/0G	1		LADLE

Document valid only for consultation

DESCRIPTION	REFERENCE	PAGE
FRONT MAN BASKET 200KG (BUD6341)	P9-00010_00	179
MATERIAL BASKET 500KG (BUD6280)	P9-00020_00	180

Document valid only for consultation



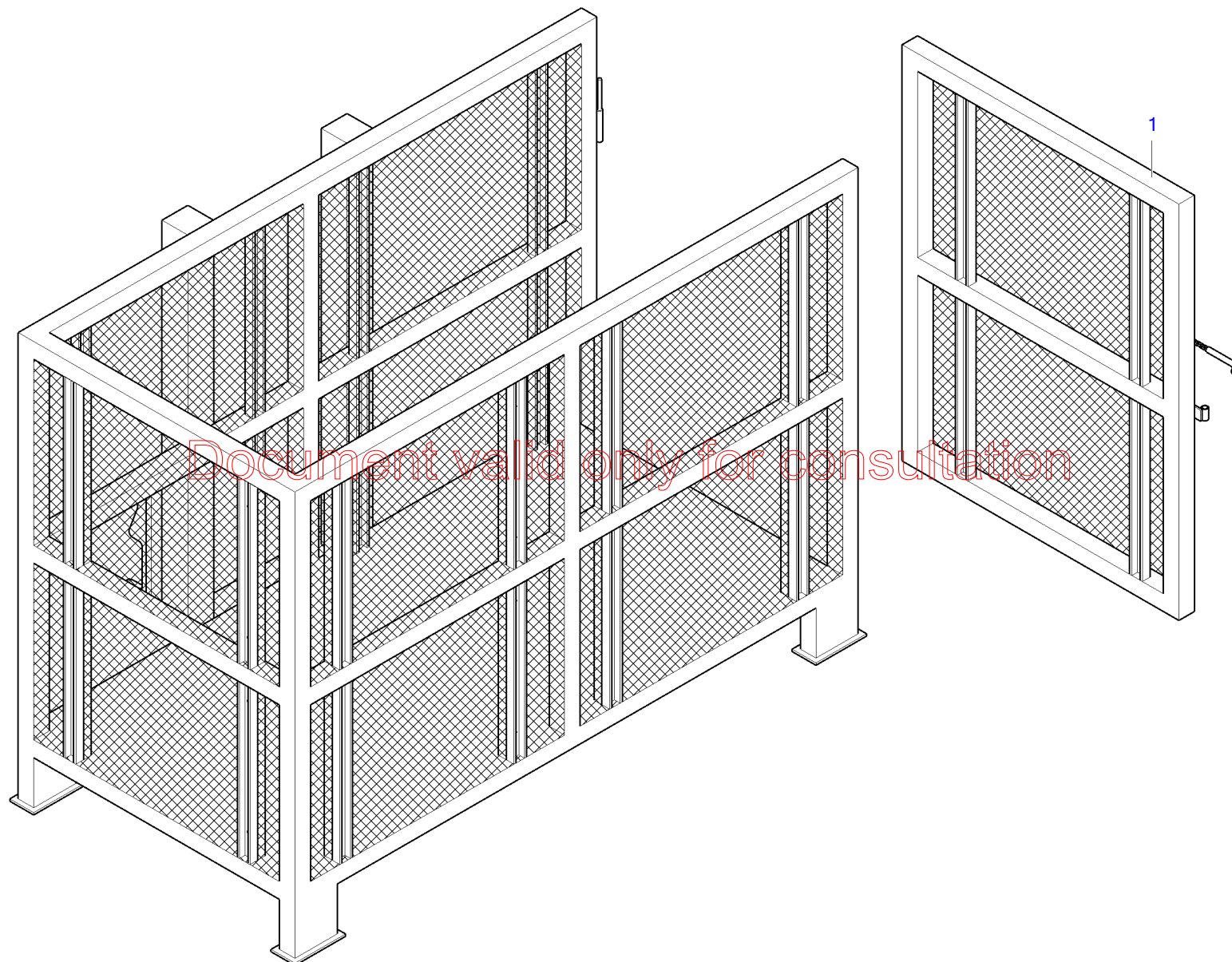


FRONT MAN BASKET 200KG (BUD6341)

Reference: p9-00010_00

POS.	CODE	Q.TY	UNIT	DESCRIPTION
1	RIV0000025	1		RUBBER SHEET
2	1P.ILMCHI24	1		PLUG HOLDER 24
3	1P.P9ARHPR	1		PLUG
4	2E.TEZB4BK1453	1		YELLOW SWITCH
5	2E.TEZB4BP5	1		YELLOW BUTTON
6	2E.TEZB4BS44	1		EMERGENCY BUTTON
7	4E.ZB4BD5	1		UNSTABLE BLACK SWITCH
8	4E.ZB4BK1233	1		GREEN SWITCH
9	AAF0008	1		PROTECTION HOUSING
10	BAA7256	1		SCREW
11	BAB5102	1		SCREW
12	BAB5150	1		SCREW
13	BAG4100	1		NUT
14	BAG4101	1		NUT
15	BAG4118	1		NUT
16	BAL5108	1		WASHER
17	BAL5111	1		WASHER
18	BAL5115	1		WASHER
19	BCN1032/0G	1		SUPPORT
20	BEF4322/LE	1		CONTROL PANEL
21	BEK7135	1		ELECTRIC LINE
22	BEP0400	1		SENSOR
23	BUD6340/1	1		BASKET
24	BWF1131	1		CLAMP

Document valid only for consultation





MATERIAL BASKET 500KG (BUD6280)

Reference: p9-00020_00

POS.	CODE	Q.TY	UNIT	DESCRIPTION
1	3P.1164400/P	1		COMPLETE DOOR

Document valid only for consultation