

- Catalogo RICAMBI
- SPARE PARTS Catalogue
- Catalogo de PIEZAS DE REPUESTO
- Catalogue de PIECES DETACHEES
- ERSATZTEILKATALOG

# APOLLO

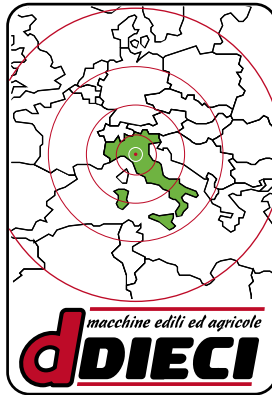
## 25.6 Step 3

**Matr.190**

Servizio Assistenza Tecnica  
Via E. Majorana, 2-4 - 42027 Montecchio Emilia (RE) ITALY  
Tel. +39 0522 869611 - Fax S.A.T. +39 0522 869 744  
[www.dieci.com](http://www.dieci.com) - E-mail: [service@dieci.com](mailto:service@dieci.com)



macchine edili ed agricole  
**d DIECI**  
S.r.l.



[www.dieci.com](http://www.dieci.com)

VIA E. MAJORANA, 2-4  
42027 - MONTECCHIO E. (RE) - ITALY

TEL. ++39 0522-869611

FAX ++39 0522-869744

*e-mail: mailbox@dieci.com*

- **La ditta Dieci S.r.l. si riserva il diritto di modificare le caratteristiche in linea con gli obiettivi di miglioramento e sviluppo dei prodotti. I dettagli del presente manuale istruzione sono quindi da considerarsi indicativi.**
- Dieci S.r.l. reserves the right to modify the features in accordance with its aim to improve and develop its products.  
Details given in the present handbook are, therefore, to be considered only an indication.
- Les spécifications portées n'engagent pas le constructeur Dieci S.r.l, et peuvent être modifiées sans préavis.
- Dieci S.r.l. se reserva el derecho de modificar las características de acuerdo con los objetivos de mejoras y desarrollo de los productos.  
Los detalles del presente manual de instrucciones deben considerarse, por tanto, indicativos.
- Die Firma Dieci S.r.l. behält sich das Recht vor die Eigenschaften zu Ändern wenn dies zu Verbesserungen und Entwicklungen des Produktes führen.  
Die Details dieses Anleitungshandbuches sind daher als Indikative Details zu betrachten.



**UFFICIO ASSISTENZA E RICAMBI  
ASSISTANCE ET PIECES DE RECHANGE  
ASSISTANCE AND SPARE PARTS  
OFICINA ASISTENCIA Y REPUESTOS  
SERVICE- UND ERSATZTEILBURO  
TEL +39.0522.869.611  
FAX +39.0522.869.744**

- **E' proibita la riproduzione totale o parziale dei testi e delle illustrazioni pubblicate nel presente manuale senza la preventiva autorizzazione di Dieci srl.**
- No parts if this publication may be reproduced or transmitted, in any form or by any means, without the prior permission of Dieci srl.
- La reproduction totale ou partielle des textes et des illustrations de ce manuel est interdite sans la préventive autorisation de Dieci S.r.l.
- Se prohíbe la reproducción total o parcial de los textos y de las ilustraciones publicadas en el presente manual sin la autorización previa de Dieci srl.
- Die Teil- oder Gesamt-Reproduktion der Texte und der Abbildungen dieses Anleitungshandbuches ist ohne das Erlaubnis von Dieci S.r.l. verboten.

**macchine edili ed agricole**  
**dIECI**



- IL CATALOGO È DIVISO IN GRUPPI
- IL GRUPPO CONTIENE LE TAVOLE RICAMBI
- LE TAVOLE RICAMBI CONTENGONO I DISEGNI DEL GRUPPO
- I DISEGNI POSSONO CONTENERE PARTICOLARI, TIPO ACCESSORI "OPTIONAL", CHE NON SONO MONTATI SULLE MACCHINE BASE O SPECIALI. PERTANTO SE SI VUOLE ORDINARE UN OPTIONAL CHIEDERE SEMPRE ALL'UFFICIO ASSISTENZA SE LA MACCHINA IN VOSTRO POSSESSO PUÒ MONTARE IL PARTICOLARE A DISEGNO

**SIMBOLOGIE**

DX DESTRO  
 SX SINISTRO  
 / NON FORNIBILE SCIOLTO O FORNIBILE IN KIT  
 \* VEDERE PAGINA SUCCESSIVA  
 # IN FASE DI CODIFICA

- THE CATALOGUE IS DIVIDED INTO GROUPS
- THE GROUP CONTAINS THE SPARE PARTS TABLE
- THE SPARE PARTS TABLES CONTAIN THE DRAWINGS OF THE GROUP
- THE DRAWINGS CAN CONTAIN "OPTIONAL" ITEMS WHICH CAN NOT BE FOUND ON BASIC OR SPECIAL MACHINES. IF YOU WANT TO ORDER AN OPTIONAL ITEM, ALWAYS ASK THE TECHNICAL OFFICE IF IT IS POSSIBLE TO INSTALL THE ITEM OF THE DRAWING ON YOUR MACHINE.

**SYMBOLS**

DX RIGHT  
 SX LEFT  
 / NOT AVAILABLE OR SOLD ONLY IN KIT  
 \* SEE FOLLOWING PAGE  
 # IN CODING PHASE

- LE CATALOGUE EST DIVISE EN GROUPES
- CHAQUE GROUPE CONTIENT LES TABLES DES PIÈCES DÉTACHÉES
- LES TABLES DES PIÈCES DÉTACHÉES CONTIENNENT LES DESSINS DU GROUPE
- LES DESSINS PEUVENT CONTENIR LES ACCESSOIRES "EN OPTION" QUI NE SONT PAS MONTÉS SUR LES MACHINES DE BASE OU SPÉCIALES PAR CONSÉQUENT AVANT DE COMMANDER UN ACCESSOIRE EN OPTION VEUILLEZ VOUS ADRESSER AU BUREAU ASSISTANCE POUR VÉRIFIER SI VOTRE MACHINE PRÉVOIT LE MONTAGE CONCERNE

**SYMBOLS**

DX DROITE  
 SX GAUCHE  
 / PAS LIVRABLE EN VRAC OU LIVRABLE EN KIT  
 \* VOIR PAGE SUIVANTE  
 # EN CODIFICATION

- EL CATALOGO SE DIVIDE EN GRUPOS
- EL GRUPO CONTIENE LA TABLA DE LOS REPUESTOS
- LAS TABLAS DE LOS REPUESTOS CONTIENEN LOS DIBUJOS DEL GRUPO
- LOS DIBUJOS PUEDEN CONTENER PIEZAS TIPO ACCESORIOS "OPCIONALES" QUE NO SE ENCUENTRAN EN LAS MAQUINAS BASICAS O ESPECIALES. EN EL CASO EN QUE SE QUIERA PEDIR UN OPCIONAL, SERA NECESARIO PREGUNTAR A LA OFICINA DE ASISTENCIA TECNICA SI ES POSIBLE ENSAMBLAR LA PIEZA DEL DIBUJO EN LA MAQUINA COMPRADA

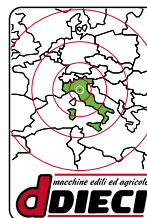
**SIMBOLOS**

DX DERECHA  
 SX IZQUIERDA  
 / NO SE SOMINISTRA SUELTO  
 \* VEASE PAGINA SIGUIENTE  
 # EN FASE DE CODIFICACION

- DERERSATZTEILKATALOG IST IN GRUPPEN AUFGETEILT
- DIE EINZELNE GRUPPE ENTHALT DIE ERSATZTEILTAFELN
- DIE ERSATZTEILTAFELN ENTHALTEN DIE ZEICHUNUNGEN DER GRUPP
- DIE ZEICHUNUNGEN KÖNNEN EINZELHEITEN ALS SONDERZUBEHÖR ENTHALTEN, WELCHE IM GRUNDGERÄT NICHT EINGEBAUT SIND-SOLLTE DA GERÄT NACHTRAGLICH MIT SONDERZUBEHÖR AUSGERÜSTET WERDEN, SO IST ES ERFORDERLICH EINE AUSKUNFT BEI DEM KUNDENDIENST UNTER ANGABE DES GERÄTEYPES UND DER FABRIK-NR. EINZUHOLEN

**SIMBOLE**

DX RECHTS  
 SX LINKS  
 / NICHT EINZELN ODER IN GRUPPE LIEFERBAR  
 \* SIEHE NACHFOLGENDE SEITE  
 # ERHALT IN DER ZUKUNFT EINE SACH-NR.



www.dieci.com

VIA E. MAJORANA, 2-4  
 42027 - MONTECCHIO E. (RE) - ITALY  
 TEL. ++39 0522-869611  
 FAX ++39 0522-869744  
 e-mail: mailbox@dieci.com



UFFICIO ASSISTENZA E RICAMBI  
 ASSISTANCE ET PIÈCES DE RECHANGE  
 ASSISTANCE AND SPARE PARTS  
 OFICINA ASISTENCIA Y REPUESTOS  
 SERVICE- UND ERSATZTEILBURO  
 TEL +39.0522.869.611  
 FAX +39.0522.869.744



## NORME PER LE ORDINAZIONI

Le ordinazioni di parti di ricambio devono essere corredate delle seguenti indicazioni:

- Tipo
- Numero dell'autotelaio
- Tipo del motore
- Numero del motore
- Numero di ordinazione della parte che si richiede (come indicato nelle tavole e negli elenchi parti di ricambio), in base al quale vengono evase le ordinazioni.

## ORDERING PARTS

Orders for spare parts must include the following data:

- Type
- Chassis number
- Engine type
- Engine number
- Part number of the ordered spare, as given on plates and lists, that will be used to fill the order.

## COMMANDE DE PIÈCES DÉTACHÉES

Les commandes doivent nous parvenir complètes des indications suivantes:

- Type
- Numéro du châssis
- Type du moteur
- Numéro du moteur
- Numéro de commande de la pièce requise (comme indiqué sur les planches et aux listes des pièces), d'après lequel les commandes sont expédiées.

## PEDIDOS DE REPUESTOS

En todos los pedidos de piezas de repuesto tienen que conseguir los datos siguientes:

- Modelo
- Matricula del chasis
- Modelo del motor
- Matrícula del motor
- Número de pedido de la pieza requerida (el que coincidirá con el reseñado en las listas de piezas de repuesto y las láminas), en base al cual se evacúa el pedido.

## ANWEISUNGEN ZUR BESTELLUNG

Bei Bestellung bitten wir stets folgendes anzugeben:

- Typ
- Fahrgestellnummer
- Motorbaumuster
- Motornummer
- Bestellnummer des gewünschten Ersatzteils (lt. Bildtafeln u. Listen), auf Grund derer die Lieferung erfolgt.



[www.dieci.com](http://www.dieci.com)

VIA E. MAJORANA, 2-4  
42027 - MONTECCHIO E. (RE) - ITALY  
TEL. ++39 0522-869611  
FAX ++39 0522-869744  
e-mail: [mailbox@dieci.com](mailto:mailbox@dieci.com)



UFFICIO ASSISTENZA E RICAMBI  
ASSISTANCE ET PIÈCES DE RECHANGE  
ASSISTANCE AND SPARE PARTS  
OFICINA ASISTENCIA Y REPUESTOS  
SERVICE- UND ERSATZTEILBURO  
TEL +39.0522.869.611  
FAX +39.0522.869.744





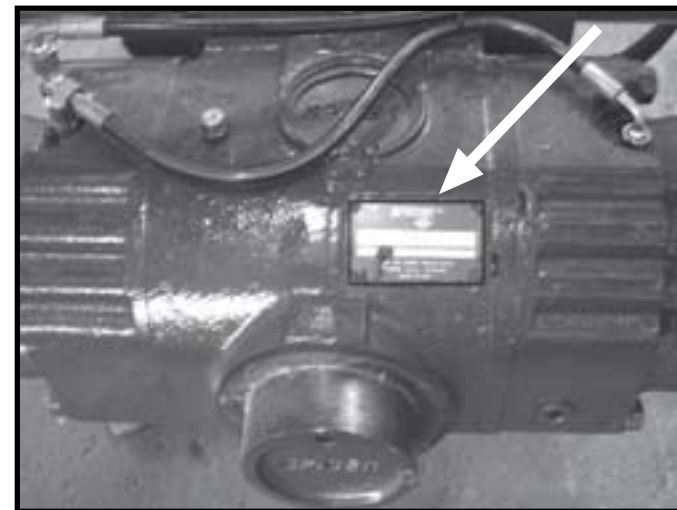
### Targhetta generale macchina

Maschinenschild  
 General truck data plate  
 Placa general de la máquina  
 Plaque générale de la machine



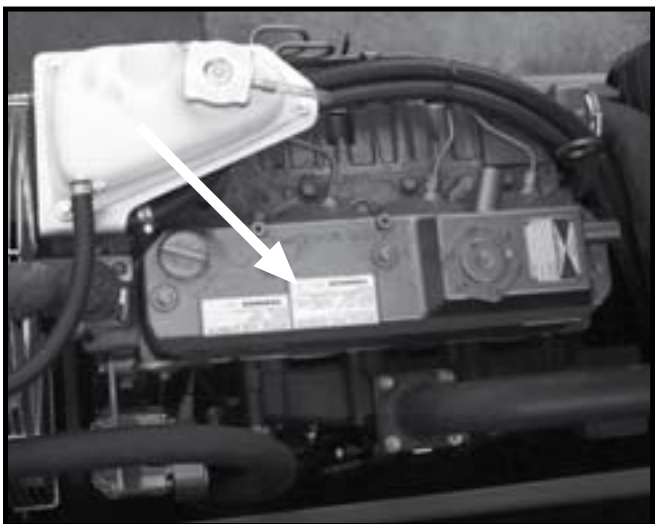
### Targhetta telaio macchina

Schild des fahrgesteir's  
 Chassis data plate  
 Placa del chasis del vehículo  
 Plaque châssis machine



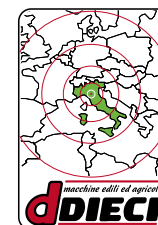
### Targhetta differenziale

Schild des differentials  
 Differential data plate  
 Placa del diferencial  
 Plaque de différentiel



### Targhetta motore

Motorschild  
 Engine data plate  
 Placa del motor  
 Plaque moteur



[www.dieci.com](http://www.dieci.com)

VIA E. MAJORANA, 2-4  
 42027 - MONTECCHIO E. (RE) - ITALY  
 TEL. ++39 0522-869611  
 FAX ++39 0522-869744  
 e-mail: [mailbox@dieci.com](mailto:mailbox@dieci.com)




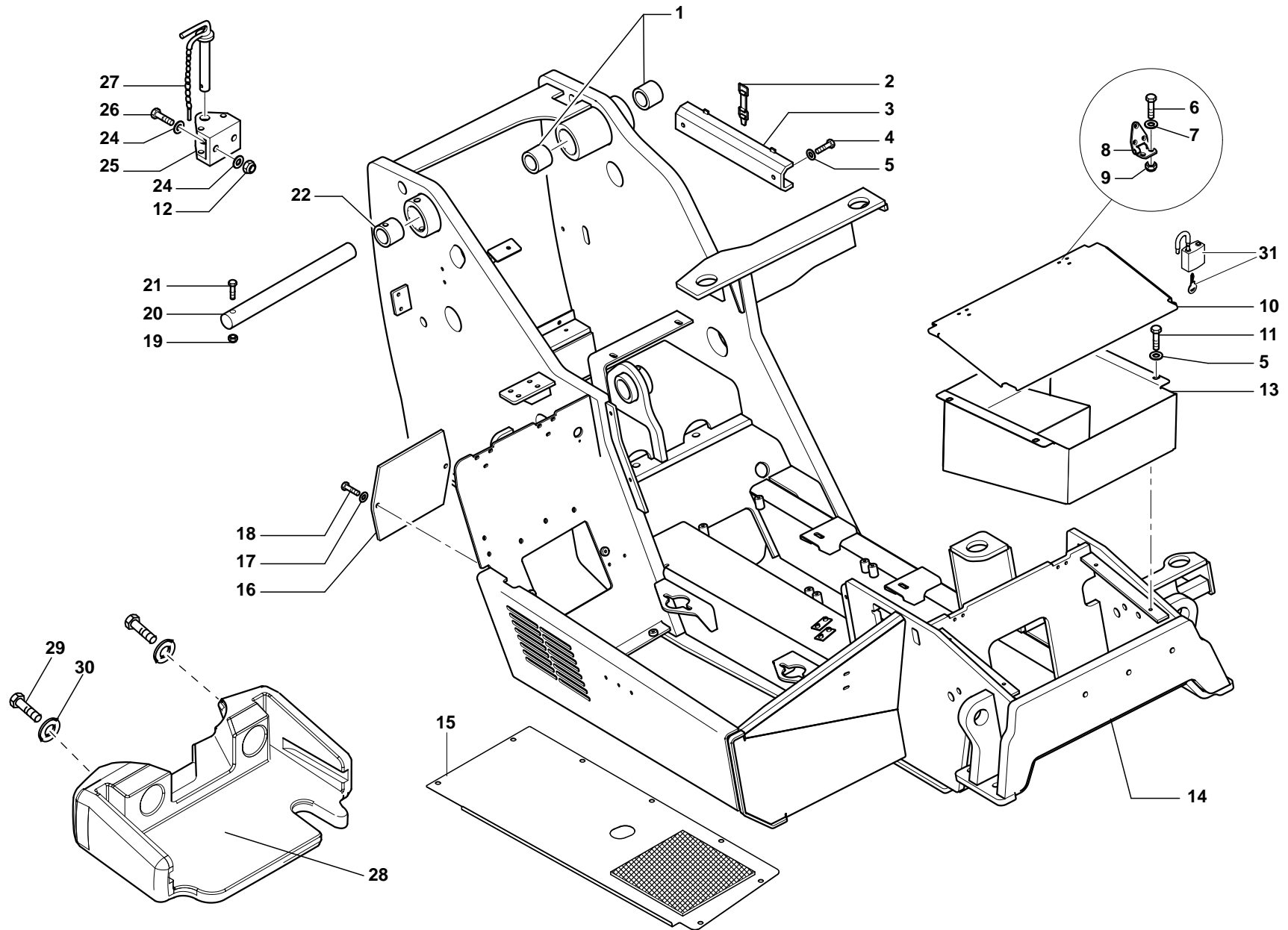
UFFICIO ASSISTENZA E RICAMBI  
 ASSISTANCE ET PIÈCES DE RECHANGE  
 ASSISTANCE AND SPARE PARTS  
 OFICINA ASISTENCIA Y REPUESTOS  
 SERVICE- UND ERSATZTEILBURO  
 TEL +39.0522.869.611  
 FAX +39.0522.869.744





*01*

<b>NUMERO TAVOLA</b> TABLE NUMBER <b>G10000</b>	<b>VERSIONE</b> VERSION <b>00</b>	<b>CODICE MACCHINA</b> MACHINE CODE <b>APOLLO</b>	 <small>macchine edili ed agricole</small>	<b>DESCRIZIONE:</b> TELAIO - PARAFANGHI - CARPENTERIA CHASSIS - MUDGUARDS - STEELSTRUCTURE CHASSIS - GARDE-BOUE - CHARPENTE CHASSIS - GUARDABARROS - CARPINTERIA FAHRGESTELL - KOTFL GEL - STAHLBAU
---	---	---	--	--



NUMERO TAVOLA  
TABLE NUMBER  
**G10078**

VERSIONE  
VERSION  
**00**  
01/10/08

CODICE MACCHINA  
MACHINE CODE  
**APOLLO**  
Matr. 1900

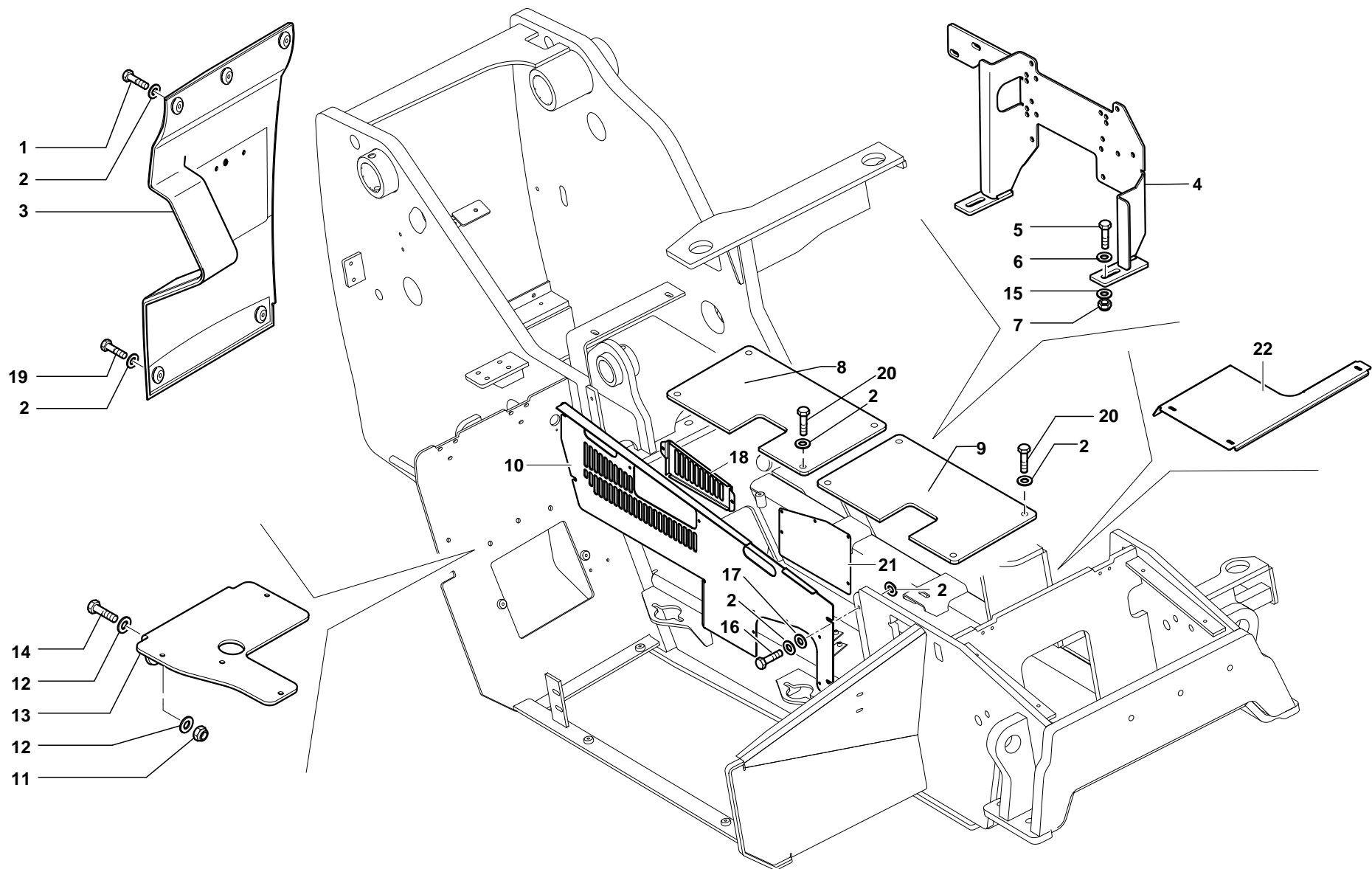


DESCRIZIONE:

TELAIO STANDARD  
CHASSIS  
CHASSIS STANDARD  
CHASSIS ESTANDAR  
STANDARD FAHRGESTELL

Table	Item#	Pg.	Code	Part Description - English	Part Description - French	Part Description - Italian
G10078	1	7	BSF0509/1	BUSHING	DOUILLE	BOCCOLA
G10078	2	7	BSH9033	ELASTIC BELT	BANDE ELASTIQUE	CINGHIA ELASTICA
G10078	3	7	CVC4430/OH	SUPPORT	APPUI	SOSTEGNO
G10078	4	7	BAA7252	SCREW	VIS	VITE
G10078	5	7	BAL5115	WASHER	RONDELLE	RONDELLA
G10078	6	7	BAA7155	SCREW	VIS	VITE
G10078	7	7	BAL5110	WASHER	RONDELLE	RONDELLA
G10078	8	7	BWL1120	FASTENER	CHARNIERE	CERNIERA
G10078	9	7	BAG4116	NUT	ECROU	DADO
G10078	10	7	CVC5893/OD	COVERPLATE	PROTECTION EN TOLE	LAMIERA DI PROTEZIONE
G10078	11	7	BAA7252	SCREW	VIS	VITE
G10078	12	7	BAG4122	NUT	ECROU	DADO
G10078	13	7	BCN9923/CL	SUPPORT	SUPPORT	SUPPORTO
G10078	14	7	BCA6462/OD	CHASSIS	CHASSIS	TELAIO
G10078	15	7	BCN9940/OD	COVERPLATE	PROTECTION EN TOLE	LAMIERA DI PROTEZIONE MOTORE
G10078	16	7	CVC4187/OD	HOUSING	CARTER	CARTER
G10078	17	7	BAL5112	WASHER	RONDELLE	RONDELLA
G10078	18	7	BAA7202	SCREW	VIS	VITE
G10078	19	7	BAG4106	NUT	ECROU	DADO
G10078	20	7	BRI6076	PIN	EPINE	SPINA
G10078	21	7	BAA7425	SCREW	VIS	VITE
G10078	22	7	BSF0509/2	BUSHING	DOUILLE	BOCCOLA
G10078	23	7	BAG4108	SCREW	VIS	VITE
G10078	24	7	BAL5121	WASHER	RONDELLE	RONDELLA
G10078	25	7	CVC3905/OD	SUPPORT	SUPPORT	SUPPORTO
G10078	26	7	BAA7458	SCREW	VIS	VITE
G10078	27	7	BCN2709	PIN	EPINE	SPINA DI TRAINO
G10078	28	7	BCA8624/OD	COUNTERWEIGHT	CONTREPOIDS	CONTRAPPESO
G10078	29	7	BAA7590	SCREW	VIS	VITE
G10078	30	7	BAL5155	WASHER	RONDELLE	RONDELLA
G10078	31	7	AAE5994	PADLOCK	CADENAS	LUCCHETTO






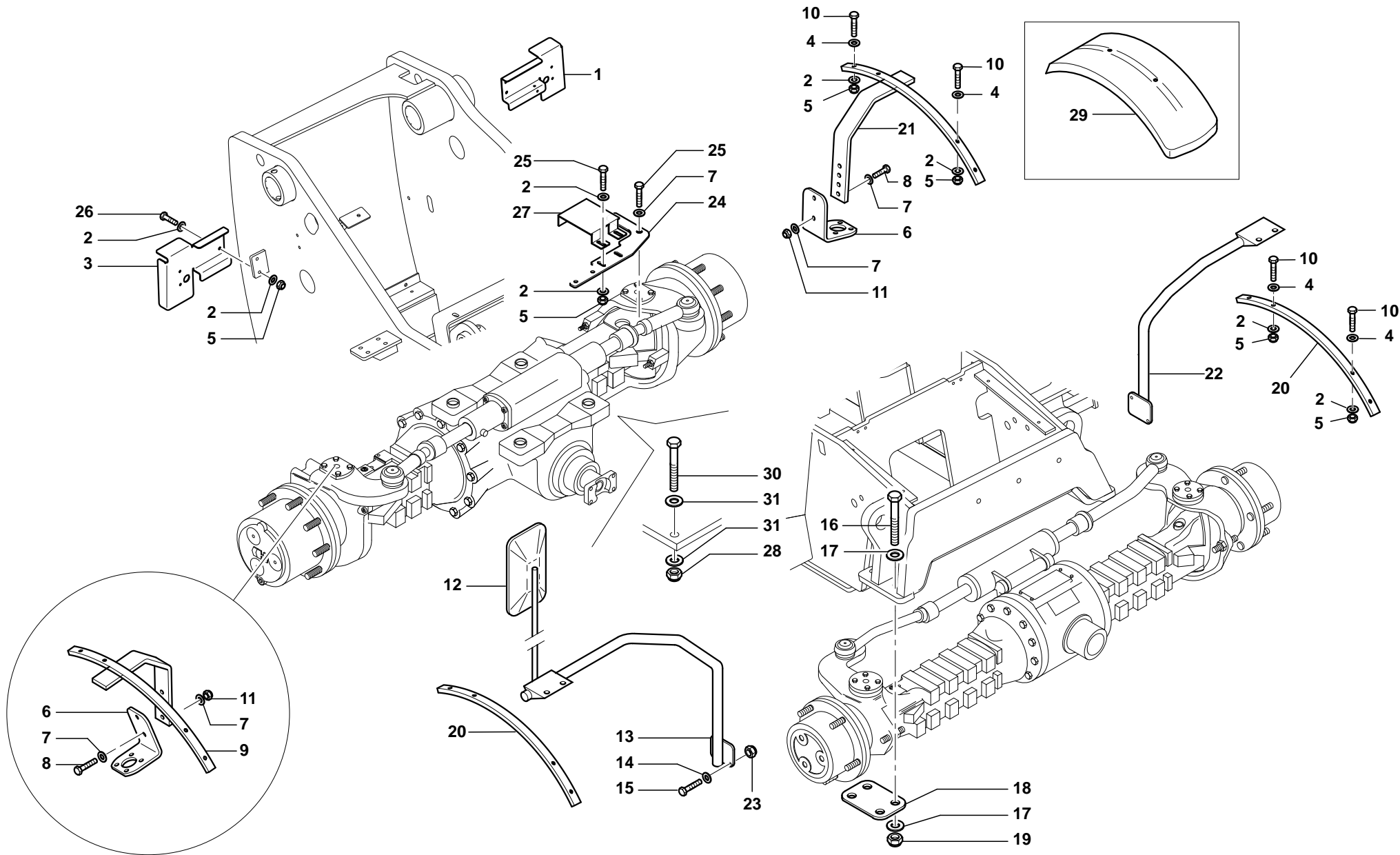
<b>NUMERO TAVOLA</b> <b>TABLE NUMBER</b> <b>G10079</b>	<b>VERSIONE</b> <b>VERSION</b> <b>00</b> <b>01/10/08</b>	<b>CODICE MACCHINA</b> <b>MACHINE CODE</b> <b>APOLLO</b> <b>Matr. 1900</b>		<b>DESCRIZIONE:</b>	<b>CARTER E SUPPORTI</b> <b>CARTERS AND SUPPORTS</b> <b>CARTERS ET SUPPORTS</b> <b>CARTER Y SOPORTES</b> <b>CARTER UBD HALTERUNGEN</b>
--	---	---	---	---------------------	--

Table	Item#	Pg.	Code	Part Description - English	Part Description - French	Part Description - Italian
G10079	1	8	BAA7204	SCREW	VIS	VITE
G10079	2	8	BAL5112	WASHER	RONDELLE	RONDELLA
G10079	3	8	BCW3068	REAR COWLING	CAPOT ARRIERE	COFANO POSTERIORE
G10079	4	8	BCN9925/CL	SUPPORT	SUPPORT	SUPPORTO
G10079	5	8	BAA7305	SCREW	VIS	VITE T.E.
G10079	6	8	BAL5116	WASHER	RONDELLE	RONDELLA
G10079	7	8	BAG4119	SELF LOCKING NUT	ECROU AUTOBLOCANT	DADO AUTOBLOK BASSO
G10079	8	8	CVC5907/0D	HOUSING	CARTER	CARTER
G10079	9	8	CVC5908/0D	HOUSING	CARTER	CARTER
G10079	10	8	CVC7649/0D	HOUSING	CARTER	CARTER
G10079	11	8	BAG4118	NUT	ECROU	DADO
G10079	12	8	BAL5114	WASHER	RONDELLE	RONDELLA
G10079	13	8	CVC5871/0D	SUPPORT	SUPPORT	SUPPORTO
G10079	14	8	BAA7254	SCREW	VIS	VITE
G10079	15	8	BAL5117	WASHER	RONDELLE	RONDELLA
G10079	16	8	BAA7204	SCREW	VIS	VITE
G10079	17	8	BAL2251	WASHER	RONDELLE	RONDELLA
G10079	18	8	CAR0001017/0D	COVERPLATE	PROTECTION EN TOLE	LAMIERA DI PROTEZIONE
G10079	19	8	BAA7202	SCREW	VIS	VITE
G10079	20	8	BAA7202	SCREW	VIS	VITE
G10079	21	8	CAR0001018/0D	COVERPLATE	PROTECTION EN TOLE	LAMIERA DI PROTEZIONE
G10079	22	8	CAR0001080/0D	COVERPLATE	PROTECTION EN TOLE	LAMIERA DI PROTEZIONE



NUMERO TAVOLA  
TABLE NUMBER  
**G10080**

VERSIONE  
VERSION  
**00**  
01/10/08

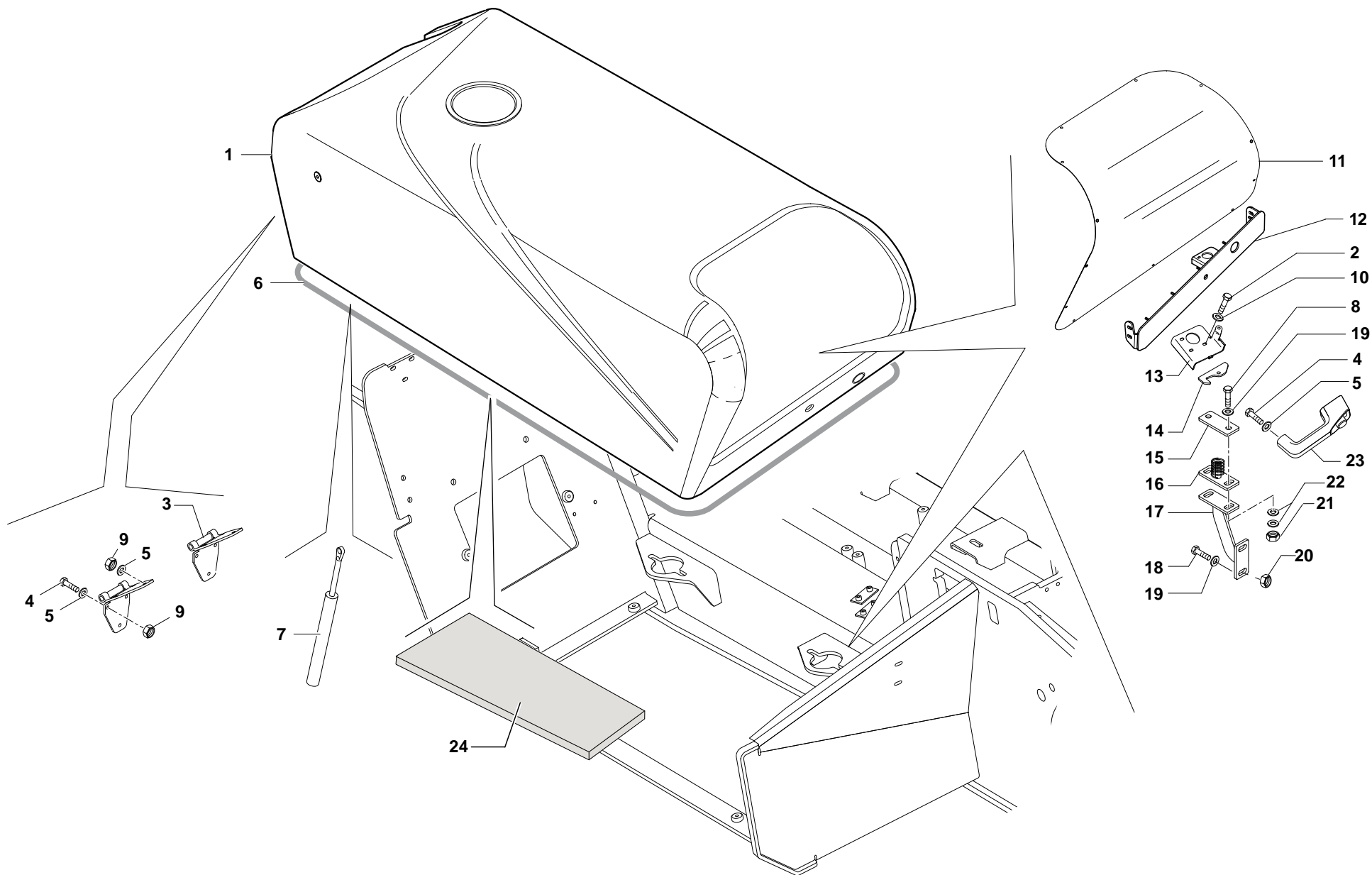
CODICE MACCHINA  
MACHINE CODE  
**APOLLO**  
Matr. 1900



DESCRIZIONE:

PARAFANGHI E SUPPORTI  
MUDGUARDS AND SUPPORTS  
GARDE-BOUE ET SUPPORTS  
GUARDABARROS Y SOPORTES  
KOTFL GEL UND HALTERUNGEN

Table	Item#	Pg.	Code	Part Description - English	Part Description - French	Part Description - Italian
G10080	1	9	CVC5729/OD	LEFT SUPPORT	SUPPORT-GAUCHE	SUPPORTO SINISTRO
G10080	2	9	BAL5113	WASHER	RONDELLE	RONDELLA
G10080	3	9	CVC5728/OD	RIGHT SUPPORT	SUPPORT -DROIT	SUPPORTO DESTRO
G10080	4	9	BAL5112	WASHER	RONDELLE	RONDELLA
G10080	5	9	BAG4117	NUT	ECROU	DADO
G10080	6	9	CVC5875/OD	SUPPORT	SUPPORT	SUPPORTO
G10080	7	9	BAL5116	WASHER	RONDELLE	RONDELLA
G10080	8	9	BAA7307	SCREW	VIS	VITE T.E.
G10080	9	9	BCN9921/OD	RIGHT SUPPORT	SUPPORT -DROITE	SUPPORTO DESTRO
G10080	10	9	BAE2010	SCREW	VIS	VITE
G10080	11	9	BAG4119	SELF LOCKING NUT	ECROU AUTOBLOCANT	DADO AUTOBLOK BASSO
G10080	12	9	BEQ0123	REAR VIEW MIRROR	RETROVISEUR	SPECCHIO RETROVISORE
G10080	13	9	BCN9920/OD	FRONT LIGHT SUPPORT	SUPPORT FEU ANT	SUPPORTO FANALE ANTERIORE
G10080	14	9	BAL5119	WASHER	RONDELLE	RONDELLA
G10080	15	9	BAB5410	SCREW	VIS	VITE
G10080	16	9	BAA7555	SCREW	VIS	VITE
G10080	17	9	BAL5134	WASHER	RONDELLE	RONDELLA
G10080	18	9	CVS3303/OD	PLATE	PLAQUE	PIASTRA
G10080	19	9	BAG4109	NUT	ECROU	DADO
G10080	20	9	PUA3068/OD	SUPPORT MUDGUARD	APPUI GARDEBOUE	SUPPORTO PARAFANGO
G10080	21	9	BCN9922/OD	LEFT SUPPORT	SUPPORT-GAUCHE	SUPPORTO SINISTRO
G10080	22	9	BCN9919/OD	FRONT LIGHT SUPPORT	SUPPORT FEU ANT	SUPPORTO FANALE ANTERIORE
G10080	23	9	BAG4106	NUT	ECROU	DADO
G10080	24	9	CVC5697/CL	SUPPORT	SUPPORT	SUPPORTO
G10080	25	9	BAA7205	SCREW	VIS	VITE
G10080	26	9	BAA7204	SCREW	VIS	VITE
G10080	27	9	CVC4821/CL	COVERPLATE	PROTECTION EN TOLE	LAMIERA DI PROTEZIONE
G10080	28	9	BAG4108	NUT	ECROU	DADO AUTOBLOCK
G10080	29	9	BSH0021	FENDER	GARDE-BOUE	PARAFANGO GIALLO
G10080	30	9	BAA7535	SCREW	VIS	VITE
G10080	31	9	BAL5133	WASHER	RONDELLE	RONDELLA



NUMERO TAVOLA  
TABLE NUMBER  
**G10119**

VERSIONE  
VERSION  
**00**  
01/10/08

CODICE MACCHINA  
MACHINE CODE  
**APOLLO**  
Matr. 1900




DESCRIZIONE:

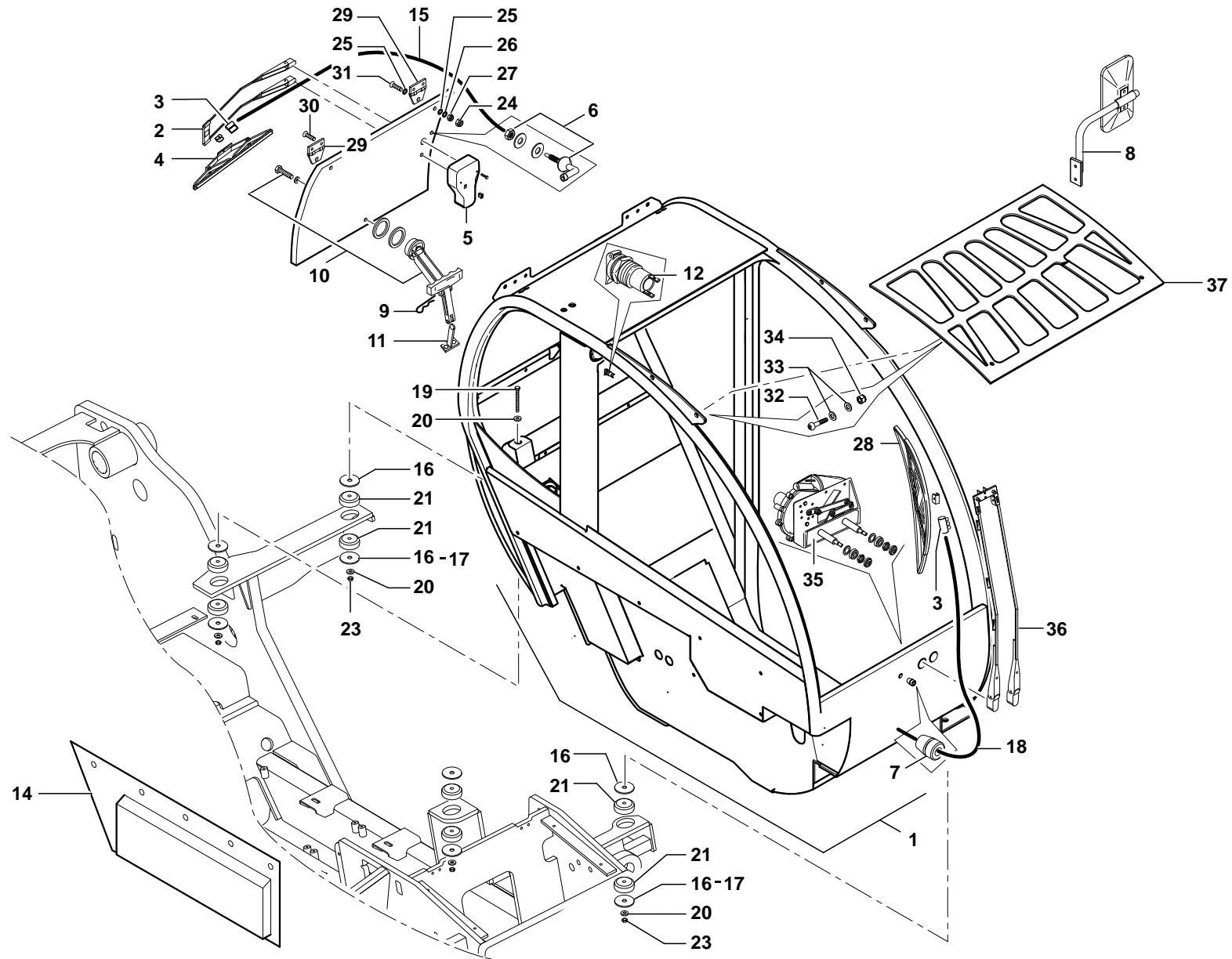
**COFANI**  
**VARIOUS BONNETS**  
**COFFRES**  
**CAPO**  
**HAUBEN UND ABDECKUNGEN**

Table	Item#	Pg.	Code	Part Description - English	Part Description - French	Part Description - Italian
G10119	1	10	BCW3080	ENGINE BONNET	CAPOT DE MOTEUR	COFANO MOTORE
G10119	2	10	BAL7149	SCREW	VIS	VITE
G10119	3	10	BSC0086	FASTENER	CHARNIERE	CERNIERA LATERALE
G10119	4	10	BAA7153	SCREW	VIS	VITE
G10119	5	10	BAL5146	WASHER	RONDELLE	RONDELLA
G10119	6	10	BSH8952	GASKET	JOINT	GUARNIZIONE
G10119	7	10	BWD0612	SPRING	RESSORT	MOLLA A GAS
G10119	8	10	BAA7202	SCREW	VIS	VITE
G10119	9	10	BAG4116	NUT	ECROU	DADO
G10119	10	10	BAL5110	WASHER	RONDELLE	RONDELLA
G10119	11	10	CLB0516/0G	PROTECTION	BRILLE DE PROTECTION	RETE COFANO
G10119	12	10	BCN9981	SUPPORT	SUPPORT	SUPPORTO
G10119	13	10	BSC0050	LOCK	SERRURE	SERRATURA COFANO MOTORE
G10119	14	10	CVC5947/CL	HAMMER	MARTEAU	MARTELLETTO
G10119	15	10	BSF6293	SLIDING PIN	PATIN	PATTINO
G10119	16	10	BSC0051	HOOK	CROCHET	GANCIO COFANO MOTORE
G10119	17	10	BCN9985/CL	SUPPORT	SUPPORT	SUPPORTO
G10119	18	10	BAE4231	SCREW	VIS	VITE
G10119	19	10	BAL5112	WASHER	RONDELLE	RONDELLA
G10119	20	10	BAG8111	NUT	ECROU	DADO
G10119	21	10	BAG4117	NUT	ECROU	DADO
G10119	22	10	BAL5115	WASHER	RONDELLE	RONDELLA
G10119	23	10	BWD0814	HANDLE	POIGNE'	MANIGLIA
G10119	24	10	BSI1077	THERMAL COVER	COUVERTURE THERMIQUE	COPERTURA TERMICA



02

NUMERO TAVOLA TABLE NUMBER <b>G20000</b>	VERSIONE VERSION <b>00</b>	CODICE MACCHINA MACHINE CODE <b>APOLLO</b>	 <small>macchine edili ed agricole</small>	DESCRIZIONE:	CABINA CAB CABINE CABINA KABINE
--	----------------------------------	--	--	--------------	---



NUMERO TAVOLA  
TABLE NUMBER  
**G20055**

VERSIONE  
VERSION  
**00**  
01/10/08

CODICE MACCHINA  
MACHINE CODE  
**APOLLO**  
Matr. 1900

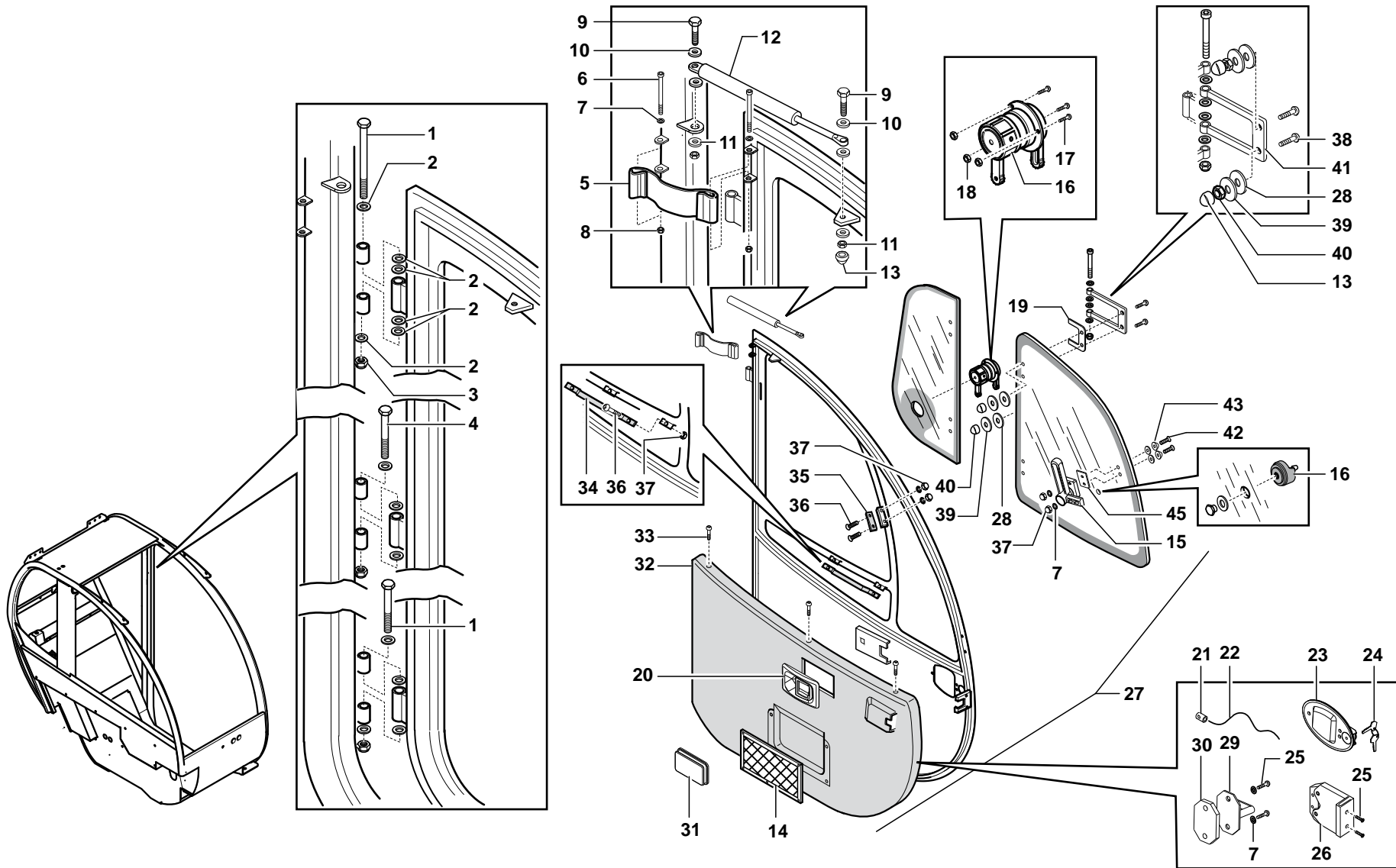


DESCRIZIONE:

CABINA ACCESSORI ESTERNI  
CAB EXTERIOR ACCESSORIES  
CABINE ACCESSOIRES EXTERNES  
CABINA ACCESORIOS EXTERNOS  
KABINE ZUBEH...R AUSSEN



Table	Item#	Pg.	Code	Part Description - English	Part Description - French	Part Description - Italian
G20055	1	12	BXO1050/OD	CAB	CABINE	CABINA CMPL.
G20055	2	12	3E.31593	WIPER ARM	BRAS ESSUIE-GLACE	BRACCIO TERGI POST
G20055	3	12	/	NOT AVAILABLE	PAS LIVRABLE	NON DISPONIBILE SCIOLTO
G20055	4	12	BEQ0112	WIPER	ESSUIE-GLACE	SPAZZOLA-TERGI
G20055	5	12	3E.31592	WINDSCREEN MOTOR	MOTEUR ESSUIE-GLACE	MOTORE TERGI POST
G20055	6	12	BEQ0114	FITTING	RACCORD	RACCORDO PASSAGGIO
G20055	7	12	3E.31371	PASSING	DÉPASSEMENT	PASSAPARETE IN GOMMA
G20055	8	12	BEQ0125	REAR VIEW MIRROR	RETROVISEUR	SPECCHIO RETROVISORE
G20055	9	12	BWH2104	BLOC	BLOCAGE	FERMO
G20055	10	12	3E.31448	HANDLE	POIGNE'	MANIGLIA AP A COMPASSO
G20055	11	12	3E.1606014C	BLOC	BLOCAGE	FERMO
G20055	12	12	BEN1050	SINGLE INLET	PRISE	PRESA 12V
G20055	14	12	3E.1614017C	HOUSING	CARTER	CARTER LATERALE
G20055	15	12	BIL2000	TUBE	TUYAU	TUBO
G20055	16	12	PON1010/CL	WASHER	RONDELLE	RONDELLA
G20055	17	12	PON1003/CL	WASHER	RONDELLE	RONDELLA
G20055	18	12	BIL2000	TUBE	TUYAU	TUBO
G20055	19	12	BAA7472	SCREW	VIS	VITE
G20055	20	12	BAL5121	WASHER	RONDELLE	RONDELLA
G20055	21	12	BSH9023	SILENTBLOCK	SILENTBLOCK	ANTIVIBRANTE
G20055	23	12	BAG4107	SELF LOCKING NUT	ECROU AUTOBLOCANT	DADO
G20055	24	12	BSC0037	NUT-COVER	COUVERTURE-ECROU	COPRIDADO
G20055	25	12	BSH9031	WASHER	RONDELLE	RONDELLA IN GOMMA
G20055	26	12	BAL5113	WASHER	RONDELLE	RONDELLA
G20055	27	12	BAG4117	NUT	ECROU	DADO
G20055	28	12	3E.31417	WIPER	ESSUIE-GLACE	SPAZZOLA TERGI ANT
G20055	29	12	3E.31447	FASTENER	CHARNIERE	CERNIERA
G20055	30	12	BAE3530	SCREW	VIS	VITE
G20055	31	12	BAE3534	SCREW	VIS	VITE
G20055	32	12	BAE2024	SCREW	VIS	VITE
G20055	33	12	BAL5116	WASHER	RONDELLE	RONDELLA
G20055	34	12	BAG4104	SELF LOCKING NUT	ECROU AUTOBLOCANT	DADO
G20055	35	12	3E.31415	WINDSCREEN MOTOR	MOTEUR ESSUIE-GLACE	MOTORE TERGI ANT
G20055	36	12	3E.31416	WIPER ARM	BRAS ESSUIE-GLACE	BRACCIO TERGI ANT
G20055	37	12	3E.1614002C	BOOT	PROTECTION	GRIGLIA DI PROTEZIONE



NUMERO TAVOLA  
TABLE NUMBER  
**G20056\_01**

VERSIONE  
VERSION  
**01**  
01/10/08

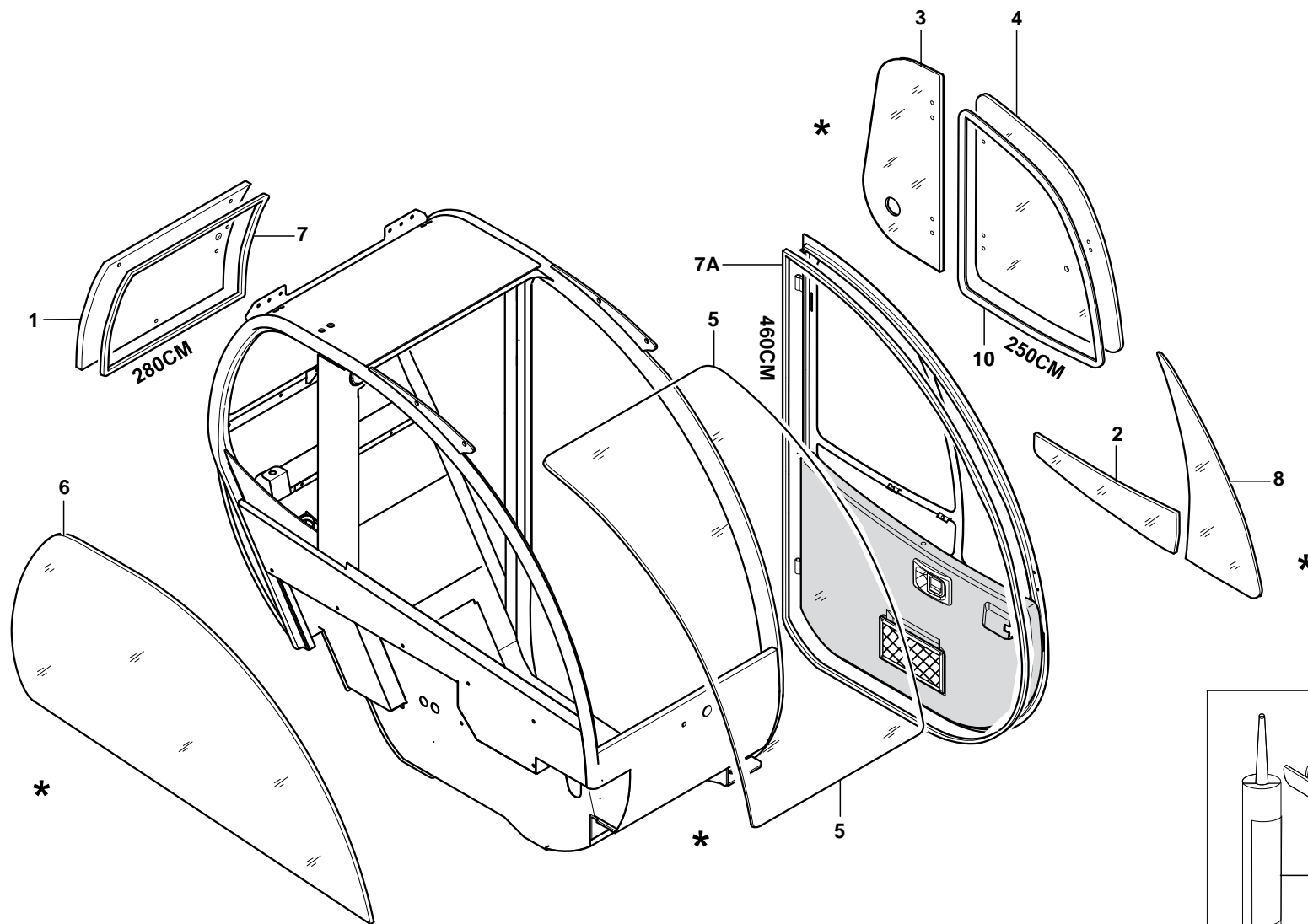
CODICE MACCHINA  
MACHINE CODE  
**APOLLO**  
Matr. 1900



DESCRIZIONE:

CABINA PORTA ESTERNA  
CAB EXTERNAL DOOR  
CABINE PORTE D'EXTERNAL  
CABINA PUERTA DEEXTERNAL  
KABINE EXTERNAL TUR

Table	Item#	Pg.	Code	Part Description - English	Part Description - French	Part Description - Italian
G20056_01	1	13	BAB5273	SCREW	VIS	VITE
G20056_01	2	13	BSC0004	WASHER	RONDELLE	RONDELLA
G20056_01	3	13	BAG4118	NUT	ECROU	DADO
G20056_01	4	13	BAB5266	SCREW	VIS	VITE
G20056_01	5	13	BSC0070	CLAMP	COLLIER	FASCIA TIRAPORTA
G20056_01	6	13	BAB5160	SCREW	VIS	VITE
G20056_01	7	13	BAL5111	WASHER	RONDELLE	RONDELLA
G20056_01	8	13	BAG4116	NUT	ECROU	DADO
G20056_01	9	13	BAB5203	SCREW	VIS	VITE
G20056_01	10	13	BAL5113	WASHER	RONDELLE	RONDELLA
G20056_01	11	13	BAG4117	NUT	ECROU	DADO
G20056_01	12	13	3E.31225	SPRING	RESSORT	MOLLA A GAS
G20056_01	13	13	BSC0037	NUT-COVER	COUVERTURE-ECROU	COPRIDADO
G20056_01	14	13	3E.31403	POCKET DOCUMENTS	POCHE DOCUMENTS	TASCA PORTADOCUMENTI
G20056_01	15	13	3E.62019	HANDLE	POIGNE'	MANIGLIA VETRO APRIBILE
G20056_01	16	13	3E.61012	DOOR-STOP	CALE-PORTE	FERMAPORTA
G20056_01	17	13	BAE2001	SCREW	VIS	VITE
G20056_01	18	13	BAG4099	NUT	ECROU	DADO
G20056_01	19	13	3E.1606276	GASKET	JOINT	GUARNIZIONE PIANA
G20056_01	20	13	3E.31408	HANDLE	POIGNE'	MANIGLIA INTERNA
G20056_01	21	13	BWC5100	CLAMP	ETAU	MORSETTO
G20056_01	22	13	BWC1104	CABLE	CABLE	CAVETTO
G20056_01	23	13	3E.31336	HANDLE	POIGNE'	MANIGLIA ESTERNA
G20056_01	24	13	3E.31409	WRENCH	CLE	CHIAVE
G20056_01	25	13	BAE3511	SCREW	VIS	VITE
G20056_01	26	13	3E.1606286	LOCK	SERRURE	SERRATURA INTERNA
G20056_01	27	13	3E.31620	DOOR CMPL.	PORTE CMPL	PORTA CMPL
G20056_01	28	13	BSH9031	WASHER	RONDELLE	RONDELLA IN GOMMA
G20056_01	29	13	BSC0159	LOCK	SERRURE	SCONTRO REGISTRABILE
G20056_01	30	13	3E.1606269	SPACER	ENTRETOISE	DISTANZIALE
G20056_01	31	13	3E.31237	-	-	PORTACENERE
G20056_01	32	13	3E.1614206	TIRE	PNEU	FODERA PORTA
G20056_01	33	13	#	IN CODING PHASE	EN CODIFICATION	IN FASE DI CODIFICA
G20056_01	34	13	BCG2100	HANDLE	POIGNE'	MANIGLIA TIRAPORTA
G20056_01	35	13	3E.61041	BLOC	BLOCAGE	FERMO
G20056_01	36	13	BAB5152	SCREW	VIS	VITE
G20056_01	37	13	BAG8110	NUT	ECROU	DADO
G20056_01	38	13	BAB5202	SCREW	VIS	VITE
G20056_01	39	13	BAL5125	WASHER	RONDELLE	RONDELLA
G20056_01	40	13	BAG8111	NUT	ECROU	DADO
G20056_01	41	13	3E.1614020C	FASTENER	CHARNIERE	CERNIERA
G20056_01	42	13	BAE3512	SCREW	VIS	VITE
G20056_01	43	13	BSC0075	WASHER	RONDELLE	RONDELLA
G20056_01	45	13	BSC0074	GASKET	JOINT	GUARNIZIONE PIANA




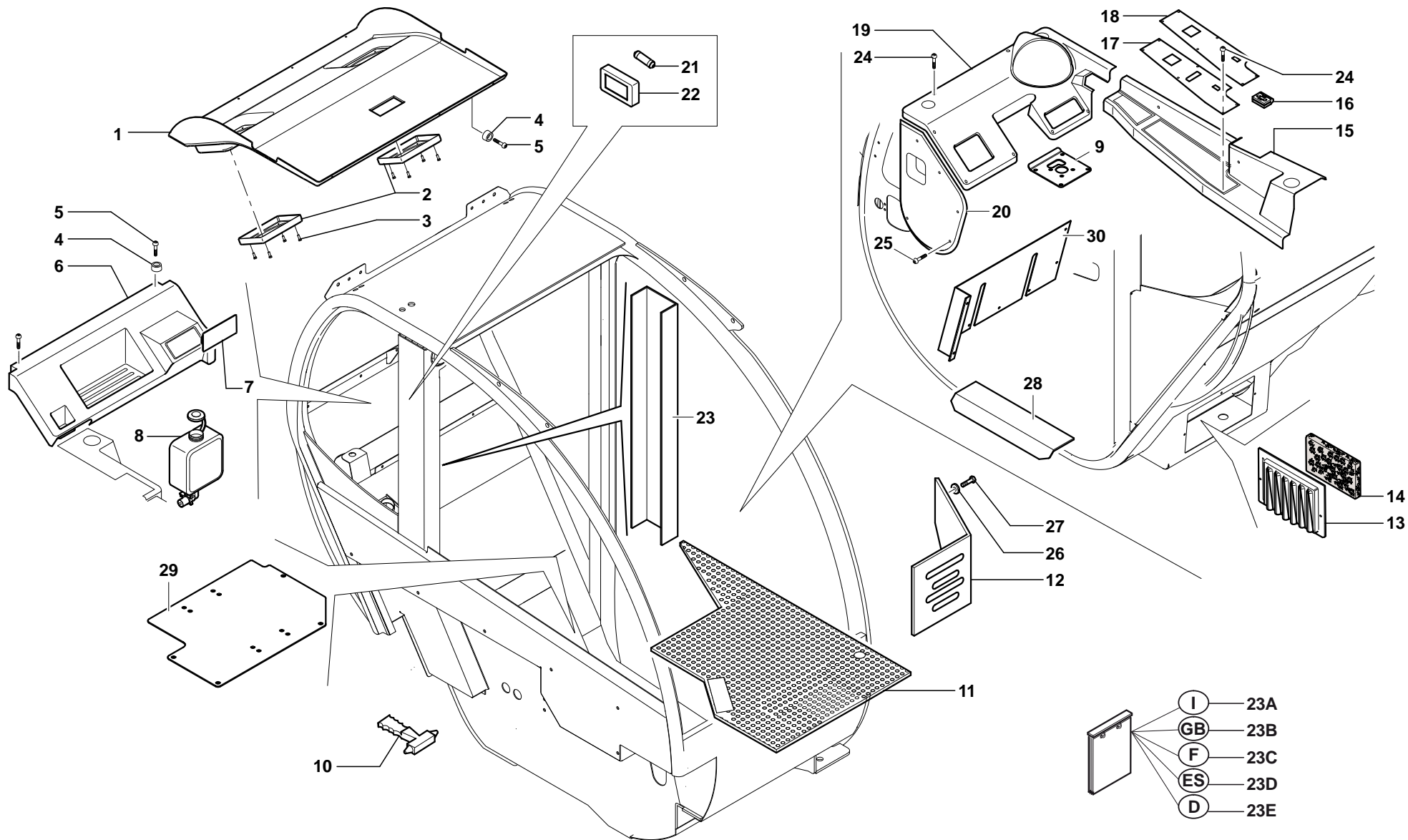
NUMERO TAVOLA TABLE NUMBER <b>G20057</b>	VERSIONE VERSION <b>00</b> 01/10/08	CODICE MACCHINA MACHINE CODE <b>APOLLO</b> Matr. 1900		DESCRIZIONE:	CABINA VETRI E GUARNIZIONI CAB WINDOWS AND WEATHER STRIP CABINE VITRES ET JOINTS CABINA CRISTALES Y JUNTAS KABINE SCHEIBEN UND DICHTUNGEN
--	--	--	---	--------------	---

Table	Item#	Pg.	Code	Part Description - English	Part Description - French	Part Description - Italian
G20057	1	14	3E.1614009V	GLASS	VITRE	VETRO POSTERIORE
G20057	2	14	3E.1614008V	GLASS	VITRE	VETRO PORTA FISSO
G20057	3	14	3E.1614010V	GLASS	VITRE	VETRO LATERALE POST SX
G20057	4	14	3E.1614012V	GLASS	VITRE	VETRO PORTA APRIBILE
G20057	5	14	3E.1614001V	GLASS	VITRE	VETRO PARABREZZA
G20057	6	14	3E.1614011V	GLASS	VITRE	VETRO LATERALE DX
G20057	7	14	BSC0199	BODY BY METER	JOINT PAR METRE	GUARNIZIONE IN METRATURA
G20057	8	14	3E.1614002V	GLASS	VITRE	VETRO PORTA FISSO
G20057	9	14	BSC0242	GLUE	COLLE	SILICONE
G20057	10	14	3E.48172	GASKET	JOINT	GUARNIZIONE
G20057	7A	14	3E.51086	GASKET	JOINT	GUARNIZIONE



NUMERO TAVOLA  
TABLE NUMBER  
**G20081**

VERSIONE  
VERSION  
**00**  
01/10/10

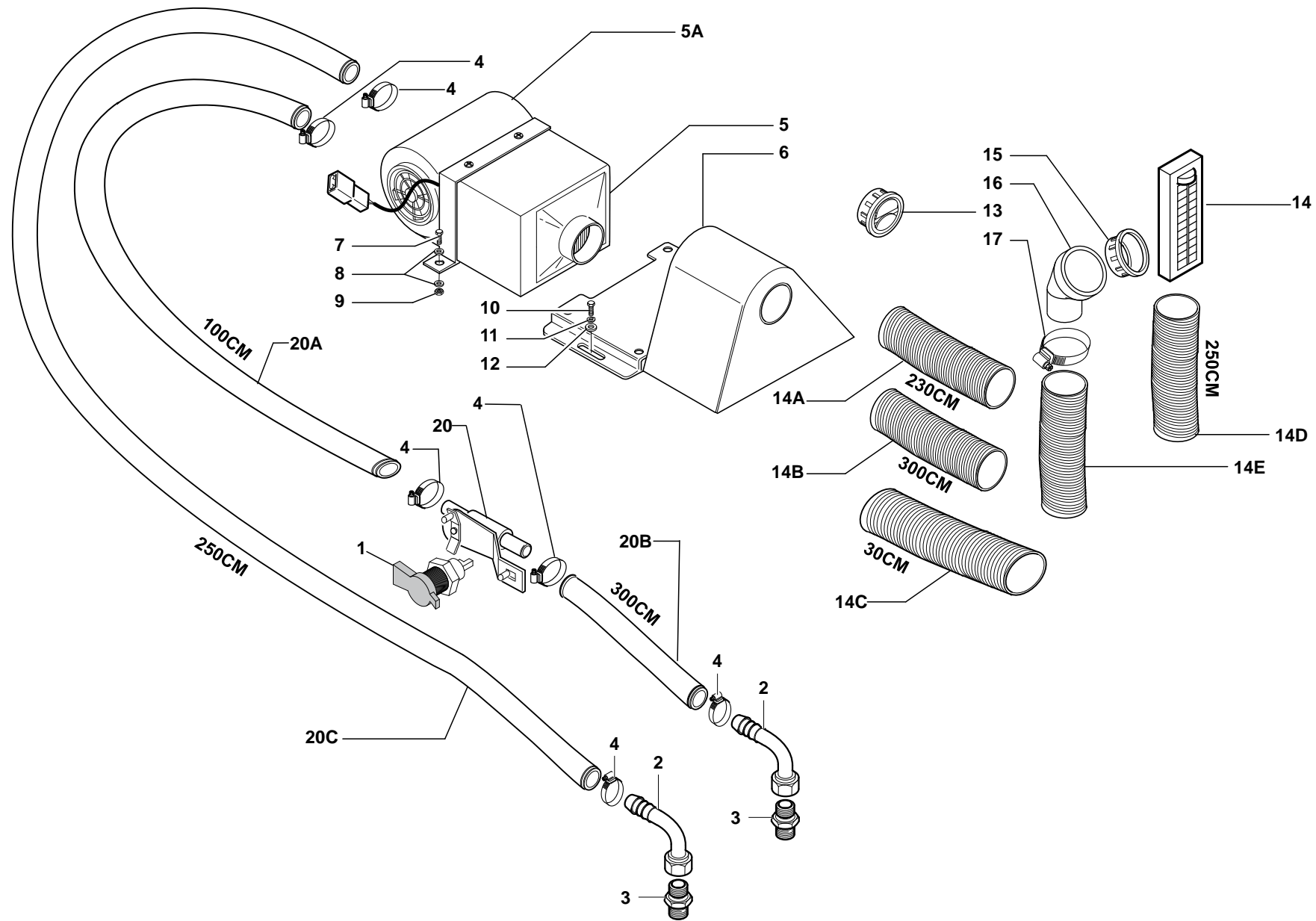
CODICE MACCHINA  
MACHINE CODE  
**APOLLO**  
Matr. 1900



DESCRIZIONE:

CABINA: ACCESSORI INTERNI  
CAB: INTERIOR ACCESSORIES  
CABINE ACCESSOIRES INTERNES  
CABINA ACCESORIOS INTERNOS  
KABINE ZUBEH'R INNEN

Table	Item#	Pg.	Code	Part Description - English	Part Description - French	Part Description - Italian
G20081	1	15	3E.1614205	COVER	COUVERCLE	COPERTURA SUPERIORE
G20081	2	15	3E.31235	COVER	COUVERCLE	GRIGLIA ALTOPARLANTI
G20081	3	15	BAE2001	SCREW	VIS	VITE
G20081	4	15	BSH9034	WASHER	RONDELLE	RONDELLA
G20081	5	15	BAE3502	SCREW	VIS	VITE
G20081	6	15	3E.1614204	HOUSING	CARTER	CARTER
G20081	7	15	3E.31236	COVER	COUVERCLE	COPRIFORO RADIO
G20081	8	15	BEQ2010	WATER TANK	RESERVOIR EAU	SERBATOIO TERGIVETR
G20081	9	15	3E.1612046	HOUSING	CARTER	LAMIERA
G20081	10	15	AAF0010	HAMMER	MARTEAU	MARTELLO EMERGENZA
G20081	11	15	3E.1628402	FOOTBOARD	MARCHEPIED	PEDANA ANTISCIVOLO
G20081	12	15	3E.1614011C	HOUSING	CARTER	CARTER
G20081	13	15	3E.1614018C	COVER	COUVERCLE	CARTER PORTAFILTRO
G20081	14	15	3E.1614228	IN CODING PHASE	EN CODIFICATION	FILTRO ARIA
G20081	15	15	3E.1614203	COVER DX	COUVERCLE DX	PLANCIA DX
G20081	16	15	3E.31418	LOCKING	BLOCANT	BLOCCO STERZATURA
G20081	17	15	CVC5951	COVER JOYSTICK	COUVERCLE MANIP	PLANCIA MANIPOLATORE 3 LEVE
G20081	18	15	CVC5952	COVER JOYSTICK	COUVERCLE MANIP	PLANCIA MANIPOLATORE 2 LEVE
G20081	19	15	3E.1628401	COVER	COUVERCLE	PLANCIA ANTERIORE
G20081	20	15	3E.1614200	HOUSING	CARTER	CARTER
G20081	21	15	BEM4017	LAMP	LAMPE	LAMPADA
G20081	22	15	3E.31587	CAB LIGHT	PLAFONNIERE	PLAFONIERA
G20081	23	15	3E.1614201	HOUSING	CARTER	CARTER
G20081	24	15	BAE2001	SCREW	VIS	VITE
G20081	25	15	BWD0515	KNOB	POIGNEE'	POMELLO-VITE
G20081	26	15	BAL5111	WASHER	RONDELLE	RONDELLA
G20081	27	15	BAE1251	SCREW	VIS	VITE
G20081	28	15	3E.1614225	STAIRWAY	ESCALIER	GRADINO
G20081	29	15	3E.1614028	HOUSING	CARTER	LAMIERA
G20081	30	15	3E.1614065	HOUSING	CARTER	LAMIERA
G20081	23A	15	#	IN CODING PHASE	EN CODIFICATION	IN FASE DI CODIFICA
G20081	23B	15	#	IN CODING PHASE	EN CODIFICATION	IN FASE DI CODIFICA
G20081	23C	15	#	IN CODING PHASE	EN CODIFICATION	IN FASE DI CODIFICA
G20081	23D	15	#	IN CODING PHASE	EN CODIFICATION	IN FASE DI CODIFICA
G20081	23E	15	#	IN CODING PHASE	EN CODIFICATION	IN FASE DI CODIFICA



NUMERO TAVOLA  
TABLE NUMBER  
**G20059**

VERSIONE  
VERSION  
**00**  
01/10/08

CODICE MACCHINA  
MACHINE CODE  
**APOLLO**  
Matr. 1900

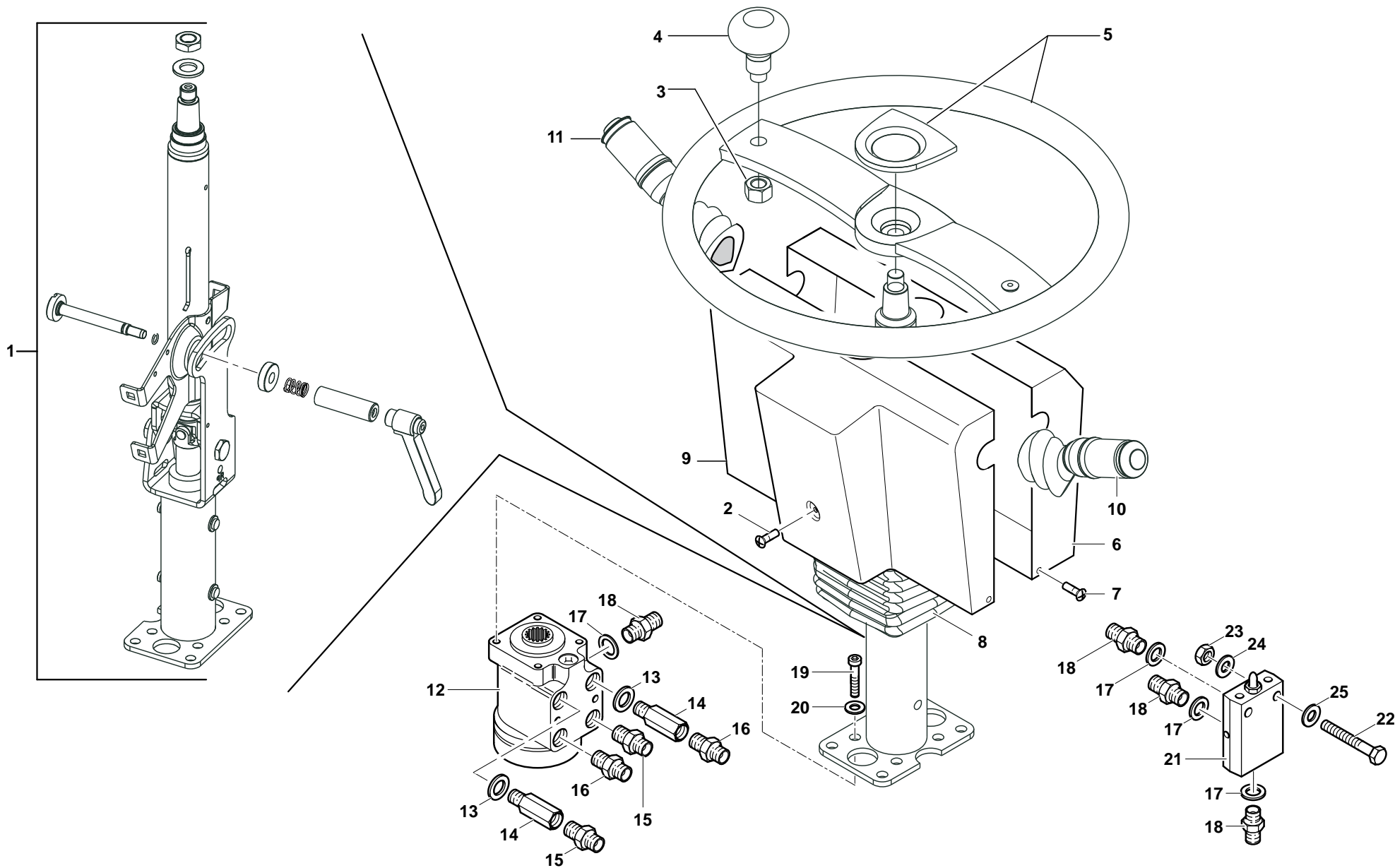


DESCRIZIONE:

IMPIANTO DI RISCALDAMENTO  
HEATING SYSTEM  
INSTALLATION CHAUFFAUGE  
CALEFACCION  
HEINZUNG



Table	Item#	Pg.	Code	Part Description - English	Part Description - French	Part Description - Italian
G20059	1	16	3E.31400	LEVER	LIVIER	LEVA REGOLAZ ARIA CALDA
G20059	2	16	BHA0285	FITTING	RACCORD	CURVA PORTAGOMMA
G20059	3	16	BHA0120	NIPPLE	NIPPLE	NIPPLE
G20059	4	16	BWF1103	CLAMP	COLLIER	FASCETTA
G20059	5	16	3E.31591	HEATER	RECHAUFFEUR	RISCALDATORE
G20059	6	16	3E.1606032C	COUPLING	MANCHON	CONVOGLIATORE
G20059	7	16	BAA7150	SCREW	VIS	VITE
G20059	8	16	BAL5110	WASHER	RONDELLE	RONDELLA
G20059	9	16	BAG4116	NUT	ECROU	DADO
G20059	10	16	BAA7203	SCREW	VIS	VITE
G20059	11	16	BAL2251	WASHER	RONDELLE	RONDELLA
G20059	12	16	BAL5112	WASHER	RONDELLE	RONDELLA
G20059	13	16	BEQ1210	OPENING	GOULOTTE	BOCCHETTA
G20059	14	16	3E.31588	OPENING	GOULOTTE	BOCCHETTA ARIA
G20059	15	16	3E.31348	OPENING	GOULOTTE	BOCCHETTA ARIA
G20059	16	16	BEQ1209	FITTING	RACCORD	RACCORDO BOCCHETTA
G20059	17	16	BWF1113	CLAMP	COLLIER	FASCETTA MEB
G20059	18	16	BIM1000	TUBE	TUYAU	TUBO MICRO CARTA
G20059	19	16	3E.31339	TUBE	TUYAU	TUBO MICRO CARTA
G20059	20	16	3E.31399	COCK	ROBINET	RUBINETTO X RISCALDAMENTO
G20059	14A	16	BIM1000	TUBE	TUYAU	TUBO MICRO CARTA
G20059	14B	16	BIM1000	TUBE	TUYAU	TUBO MICRO CARTA
G20059	14C	16	BIM1000	TUBE	TUYAU	TUBO MICRO CARTA
G20059	14D	16	BIM1000	TUBE	TUYAU	TUBO MICRO CARTA
G20059	14E	16	BIM1000	TUBE	TUYAU	TUBO MICRO CARTA
G20059	20A	16	BKA4000	TUBE	TUYAU	TUBO
G20059	20B	16	BKA4000	TUBE	TUYAU	TUBO
G20059	20C	16	BKA4000	TUBE	TUYAU	TUBO
G20059	5A	16	3E.31590	HEATER	RECHAUFFEUR	RISCALDATORE



NUMERO TAVOLA  
TABLE NUMBER  
**G20060**

VERSIONE  
VERSION  
**00**  
01/10/08

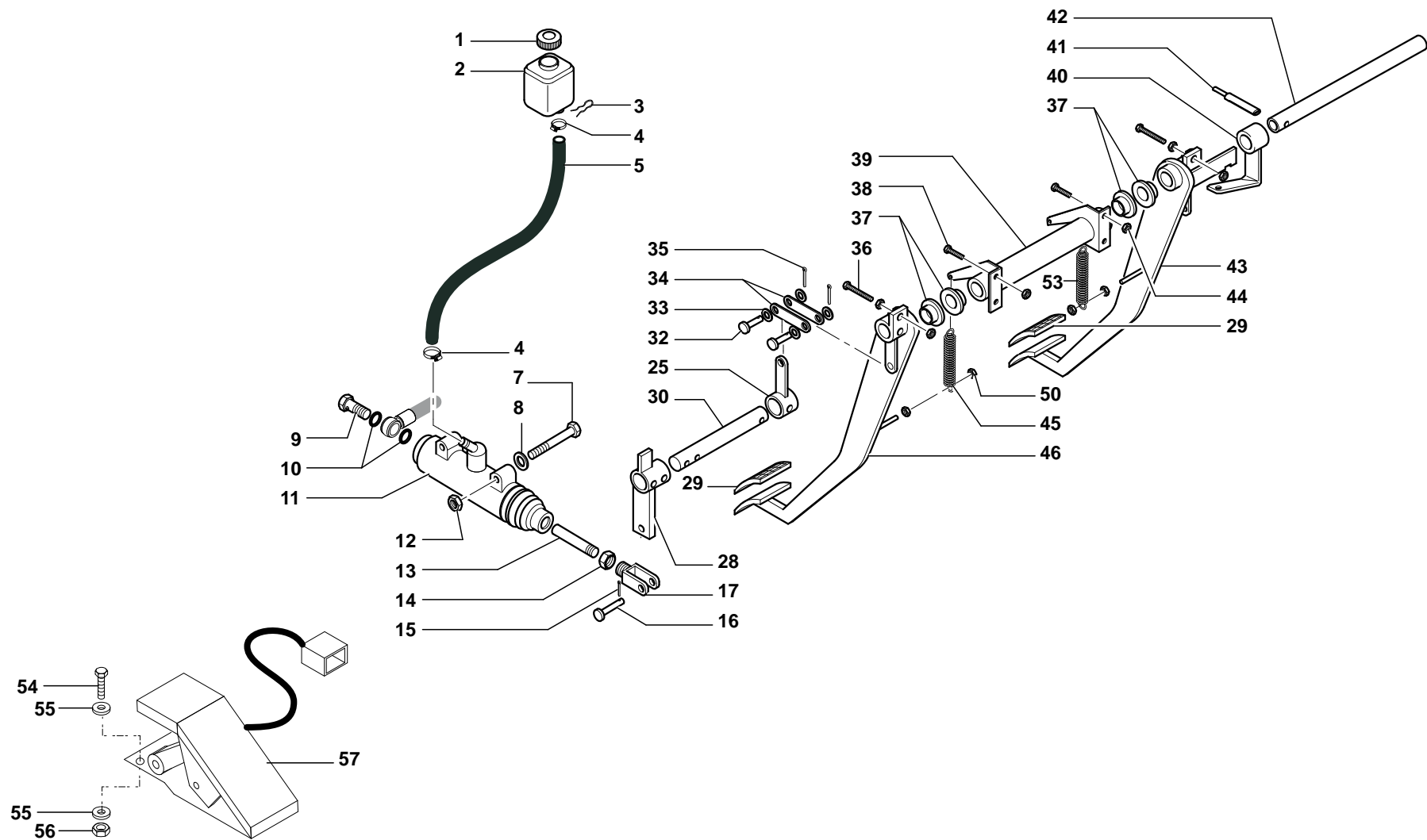
CODICE MACCHINA  
MACHINE CODE  
**APOLLO**  
Matr. 1900



DESCRIZIONE:

GRUPPO ORIENTABILE (PIANTONE STERZO)  
ADJUSTABLE STEERING SYSTEM  
GROUPE DIRECTION ORIENTABLE  
BARRADIRECCION ORIENTABLE  
VERSTELLBARER LENKKOPF

Table	Item#	Pg.	Code	Part Description - English	Part Description - French	Part Description - Italian
G20060	1	17	4C.PSIB0010	ADJUSTABLE STEERING	GROUPE DIRECTION ORIE	GRUPPO INCLINABILE
G20060	2	17	#	IN CODING PHASE	EN CODIFICATION	IN FASE DI CODIFICA
G20060	3	17	BAG3118	NUT	ECROU	DADO
G20060	4	17	BVV1104	KNOB	POIGNEE'	POMOLO
G20060	5	17	BVV1103	FLYWHEEL	VOLANT	VOLANTE
G20060	6	17	4C.00521743	TIRE	PNEU	COPERTURA
G20060	7	17	#	IN CODING PHASE	EN CODIFICATION	IN FASE DI CODIFICA
G20060	8	17	4C.103034	PLUG	COUFFE	SOFFIETTO
G20060	9	17	4C.00521742	TIRE	PNEU	COPERTURA
G20060	10	17	4C.116088	JOYSTICK	MANIPULATEUR	DEVIO LUCI/FRECCE
G20060	11	17	4C.116107	JOYSTICK	MANIPULATEUR	DEVIO GUIDA
G20060	12	17	BHF3136	HYDRAULIC STEERING	DIRECTION ASSISTE	IDROGUIDA
G20060	13	17	BHG4730	WASHER	RONDELLE	RONDELLA
G20060	14	17	BHA0523	STUD	COLONNETTE	COLONNETTA
G20060	15	17	BHA0124	NIPPLE	NIPPLE	NIPPLE
G20060	16	17	9D.E212.116SG1/2	NIPPLE	NIPPLE	NIPPLE
G20060	17	17	BHG4723	WASHER	RONDELLE	RONDELLA
G20060	18	17	BHA0101	NIPPLE	NIPPLE	NIPPLE
G20060	19	17	BAB5252	SCREW	VIS	VITE TCEI
G20060	20	17	BAL3310	WASHER (SCHNORR)	RONDELLE (SCHNORR)	RONDELLA (SCHNORR)
G20060	21	17	BHE1226	FITTING	RACCORD	PEDIPOLOATORE
G20060	22	17	BAA7208	SCREW	VIS	VITE T.E.
G20060	23	17	BAG4117	NUT	ECROU	DADO
G20060	24	17	BAL5112	WASHER	RONDELLE	RONDELLA
G20060	25	17	BAL5113	WASHER	RONDELLE	RONDELLA



NUMERO TAVOLA  
TABLE NUMBER  
**G20080**

VERSIONE  
VERSION  
**00**  
01/10/08

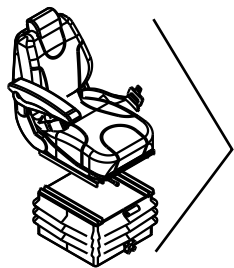
CODICE MACCHINA  
MACHINE CODE  
**APOLLO**  
Matr. 1900



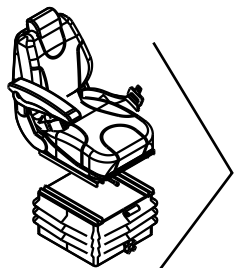
DESCRIZIONE:

CABINA: PEDALIERA  
PEDAL SYSTEM  
CABINE PEDALIER  
SISTEMA PEDALES  
KABINE PEDALANLAGE

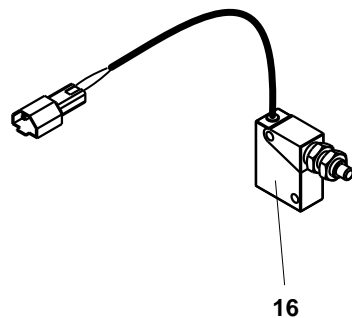
Table	Item#	Pg.	Code	Part Description - English	Part Description - French	Part Description - Italian
G20080	1	18	3E.31469	PLUG	BOUCHON	TAPPO
G20080	2	18	3E.31467	BOWL	CUVE	VASCHETTA
G20080	3	18	BFG1601	COTTER PIN	GOUPILLE	COPIGLIA
G20080	4	18	BWF1100	CLAMP	COLLIER	FASCETTA
G20080	5	18	BKA1170	TUBE	TUYAU	TUBO
G20080	7	18	BAA7202	SCREW	VIS	VITE
G20080	8	18	BAL5112	WASHER	RONDELLE	RONDELLA
G20080	9	18	BHA0404	HOLLOW STUD	COLONNETTE	COLONNETTA
G20080	10	18	BHG4147	WASHER	RONDELLE	RONDELLA
G20080	11	18	BFC2204	PUMP	POMPE	POMPA FRENI
G20080	12	18	BAG4117	NUT	ECROU	DADO
G20080	13	18	3E.1606265	PIN	AXE	PERNO
G20080	14	18	BAG2119	NUT	ECROU	DADO
G20080	15	18	BWH1111	COTTER PIN	GOUPILLE	COPIGLIA
G20080	16	18	BWR2104	PIN	EPINE	SPINA
G20080	17	18	BWR3106	YOKE	FOURCHETTE	FORCELLA
G20080	25	18	3E.1606007C	CONNECTING LEVER	LEVIER DE RENVOI	LEVA RINVIO
G20080	28	18	3E.1606008C	CONNECTING LEVER	LEVIER DE RENVOI	LEVA RINVIO
G20080	29	18	BWD1011	PEDAL COVER	COUVRE-PEDALE	COPRIPEDALE
G20080	30	18	3E.1606057	PIN	AXE	PERNO
G20080	32	18	BWR2104	PIN	EPINE	SPINA
G20080	33	18	BAL5111	WASHER	RONDELLE	RONDELLA
G20080	34	18	3E.1606091	CONNECTING LEVER	LEVIER DE RENVOI	LEVA RINVIO
G20080	35	18	BWH1111	COTTER PIN	GOUPILLE	COPIGLIA
G20080	36	18	BAA7210	SCREW	VIS	VITE
G20080	37	18	BWR7214	BUSHING	DOUILLE	BOCCOLA
G20080	38	18	BAA7202	SCREW	VIS	VITE
G20080	39	18	3E.1606004C	SUPPORT	SUPPORT	SUPPORTO
G20080	40	18	3E.1606009C	CONNECTING LEVER	LEVIER DE RENVOI	LEVA RINVIO
G20080	41	18	BWS2200	SPRING PIN	BROCHE ELASTIQUE	SPINA ELASTICA
G20080	42	18	3E.1606056	PIN	AXE	PERNO
G20080	43	18	3E.1606006C	PEDAL	PEDALE	PEDALE
G20080	44	18	BAG3117	NUT	ECROU	DADO
G20080	45	18	3E.31586	SPRING	RESSORT	MOLLA
G20080	46	18	3E.1606005C	PEDAL	PEDALE	PEDALE
G20080	49	18	BAE3509	SCREW	VIS	VITE
G20080	50	18	BAG4118	NUT	ECROU	DADO
G20080	53	18	3E.31586	SPRING	RESSORT	MOLLA
G20080	54	18	BAA7150	SCREW	VIS	VITE
G20080	55	18	BAL5110	WASHER	RONDELLE	RONDELLA
G20080	56	18	BAG4116	NUT	ECROU	DADO
G20080	57	18	BCI2094	PEDAL ACCELERATOR	PEDALE ACCELERATEUR	PEDALE ACCELERATORE



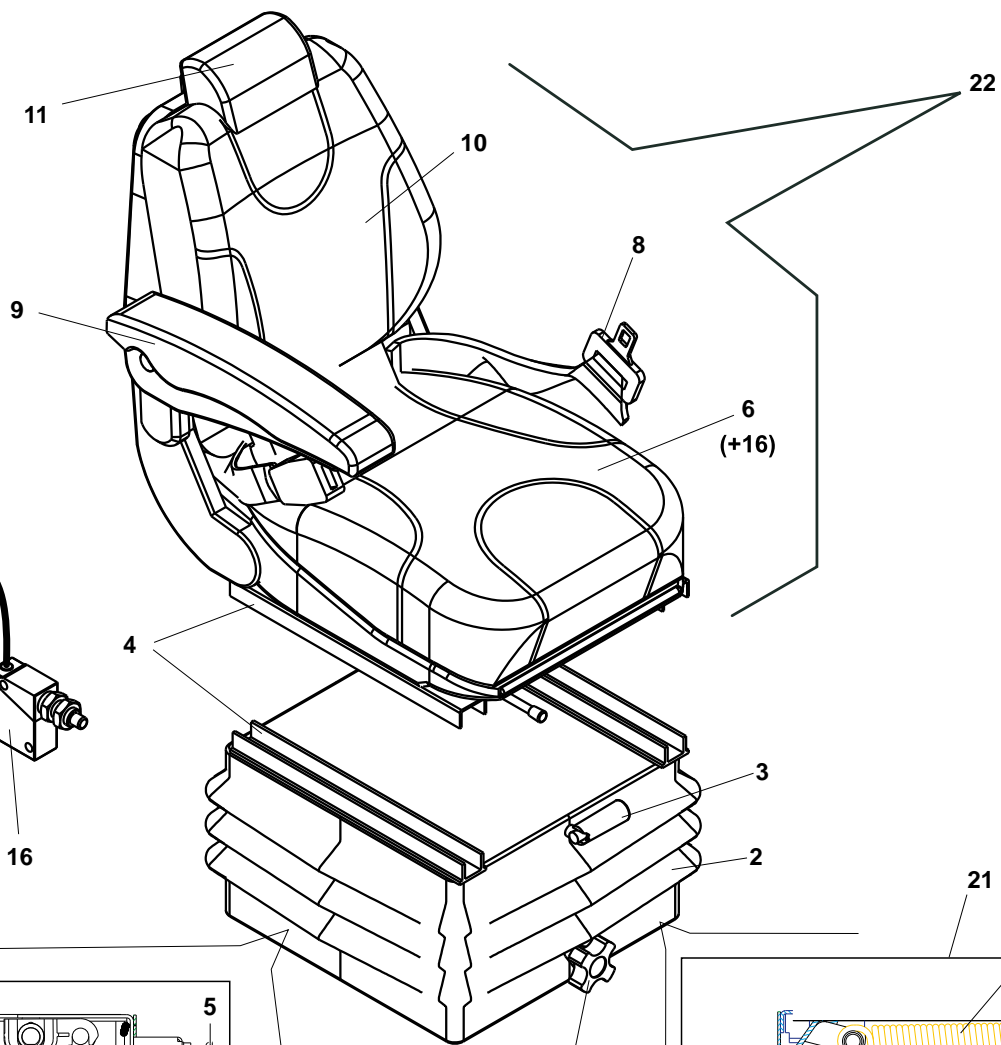
23 (21+22) = EIX0097



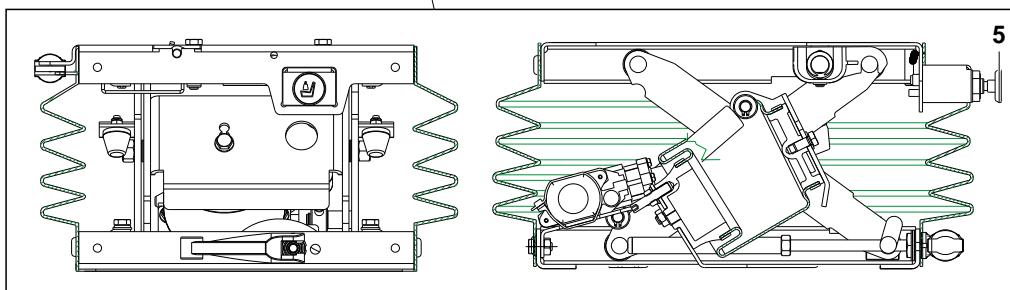
24 (20+22) = EIX0095



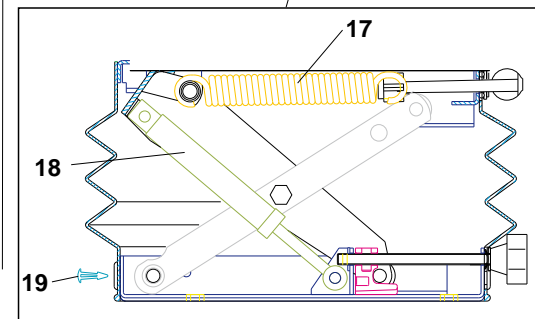
16



20



5



21

NUMERO TAVOLA  
TABLE NUMBER  
**G20013**

VERSIONE  
VERSION  
**00**  
01/10/08

CODICE MACCHINA  
MACHINE CODE  
**APOLLO**  
Matr. 1900




DESCRIZIONE:

SEDILE  
SEAT  
SIEGE  
ASIENTO  
SITZ

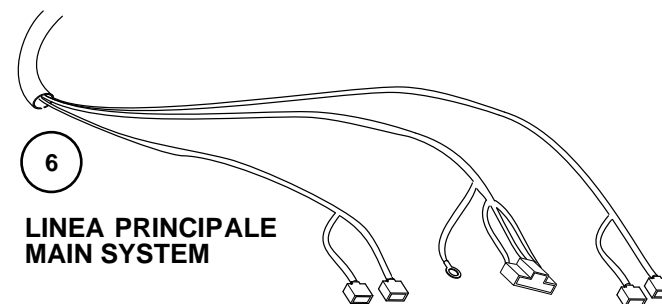
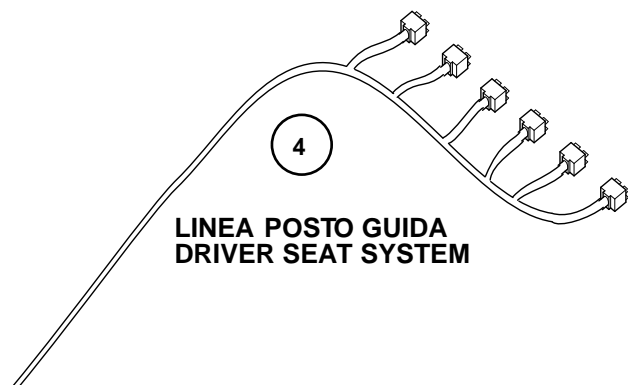
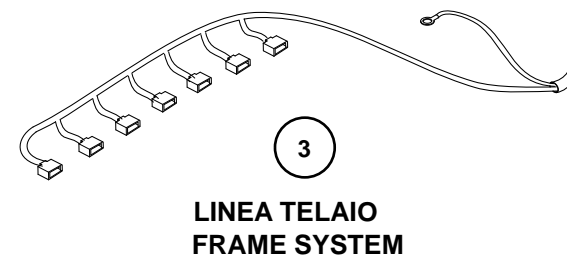
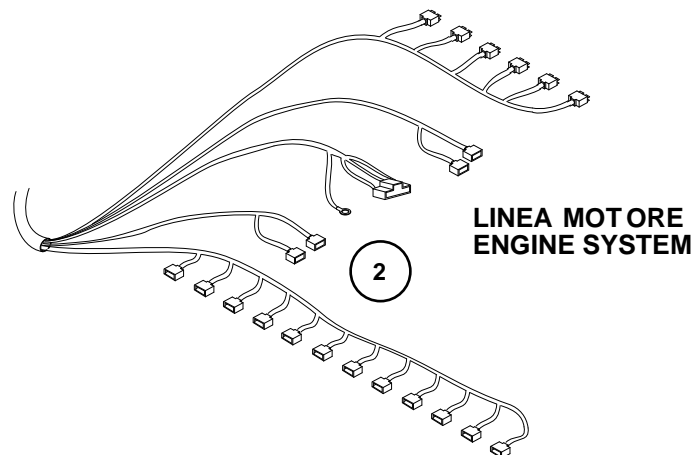
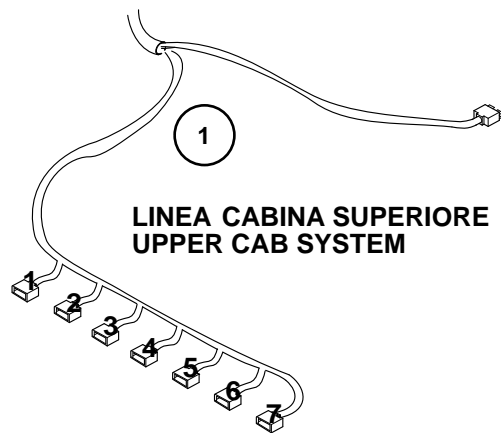
Table	Item#	Pg.	Code	Part Description - English	Part Description - French	Part Description - Italian
G20013	1	19	6S.PLA250	KNOB	POIGNEE'	VOLANTINO
G20013	2	19	6S.ACC251	BELLOW	SOUFFLET	SOFFIETTO MOLLEGGIO
G20013	3	19	6S.PLA028G	LEVER	LIVIER	LEVA A RIPRESA
G20013	4	19	6S.GUI001C	GUIDE	GUIDE	COPPIA GUIDE SCORREVOLI
G20013	5	19	6S.ACC253	SWITCH	INTERRUPTEUR	INTERRUTTORE
G20013	6	19	6S.FLA200	PILLOW (+SWITCH)	COUSSIN (+INTERRUPTEUR)	SEDUTA (CON MICRO)
G20013	8	19	6S.ACC025	SEAT BELT	CEINTURE DE SECURITE	CINTURE 2 PUNTI
G20013	9	19	6S.ACC980DX	ARM (DX)	BRAS (DX)	BRACCIOLO REGOLABILE DX
G20013	10	19	6S.FLA201	SEAT BACK	DOSSIER	IMBOTTITURA SCHIENALE
G20013	11	19	6S.INA951	SEAT BACK	DOSSIER	APPOGGIATESTA
G20013	16	19	BVB5246	SWITCH	INTERRUPTEUR	MICROSWITCH
G20013	17	19	6S.ACC250	SPRING	RESSORT	MOLLA A TRAZIONE
G20013	18	19	BVB5170	ROD	TIGE	ASTA A GAS
G20013	19	19	6S.PLA251	SNAP FASTENER	BOUTON-PRESION	CLIPS PER SOFFIETTO
G20013	20	19	6S.MOL550	MOL.550	MOL.550	MOLLEGGIO PNEUMATICO
G20013	21	19	6S.MOL250	MOL.250	MOL.250	MOLLEGGIO NORMALE
G20013	22	19	BVB1158	COMPLETE SEAT	SIEGE COMPLET	SEDILE SENZA MOLLEGGIO
G20013	23	19	BVB1154	COMPLETE SEAT MOL.250	SIEGE COMPLET MOL.250	SEDILE ACTIVO MOL.250
G20013	24	19	BVB1155	COMPLETE SEAT MOL.550	SIEGE COMPLET MOL.550	SEDILE ACTIVO MOL.550



03

<b>NUMERO TAVOLA</b> TABLE NUMBER <b>G30000</b>	<b>VERSIONE</b> VERSION <b>00</b>	<b>CODICE MACCHINA</b> MACHINE CODE <b>APOLLO</b>	 <small>macchine edili ed agricole</small>	<b>DESCRIZIONE:</b>	<b>PARTI ELETTRICHE</b> ELECTRICAL COMPONENTS PARTIES ELECTRIQUES PIEZAS ELECTRICAS ELEKTRIK
---	---	---	--	---------------------	--






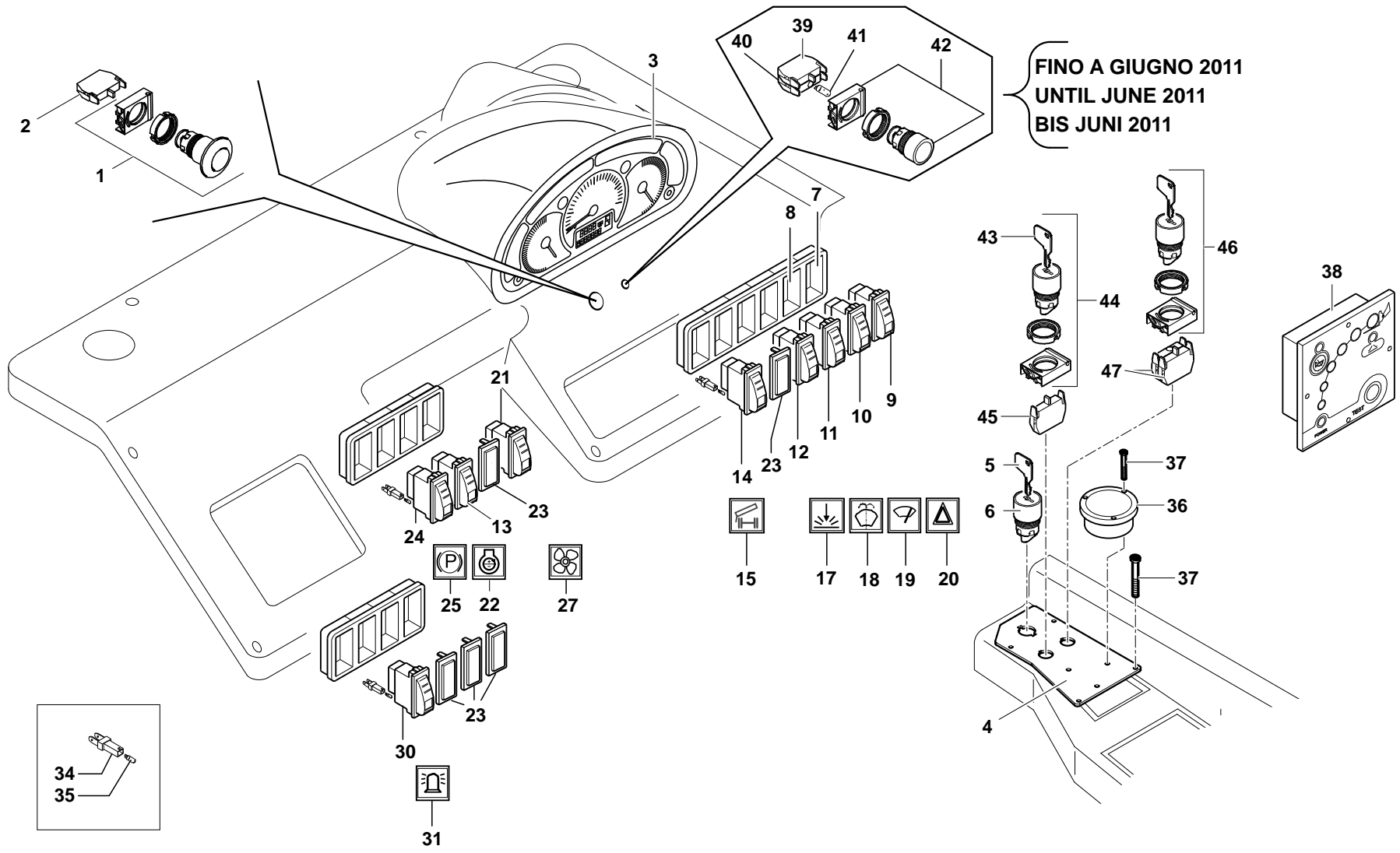
NUMERO TAVOLA TABLE NUMBER <b>G30109</b>	VERSIONE VERSION <b>00</b> 01/09/09	CODICE MACCHINA MACHINE CODE <b>APOLLO</b> Matr. 1900		DESCRIZIONE: <b>LINEE ELETTRICHE ELECTRICAL SYSTEMS LIGNES ELECTRIQUES LINEAS ELECTRICAS ELEKTROANSCHLUESSE</b>
--	--	--	---	--

Table	Item#	Pg.	Code	Part Description - English	Part Description - French	Part Description - Italian
G30109	1	21	4C.0A009517	UPPER CAB SYSTEM	LIGNE CABINE SUPERIEURE	LINEA CABINA SUPERIORE
G30109	2	21	4C.0A026143	ENGINE SYSTEM	LIGNE MOTEUR	LINEA MOTORE
G30109	3	21	4C.0A028175	FRAME CHASSIS	L. CHASSIS	LINEA TELAIO
G30109	4	21	4C.0A028160	DRIVER SEAT SYSTEM	L. PLACE DU CONDUCTEUR	LINEA POSTO GUIDA
G30109	5	21	4C.0A009516	SIDE CABIN SYSTEM	L. CABINE	LINEA CABINA POSTERIORE
G30109	6	21	4C.0A009510	MAIN SYSTEM	LIGNE PRINCIPALE	LINEA PRINCIPALE



FINO A GIUGNO 2011  
 UNTIL JUNE 2011  
 BIS JUNI 2011


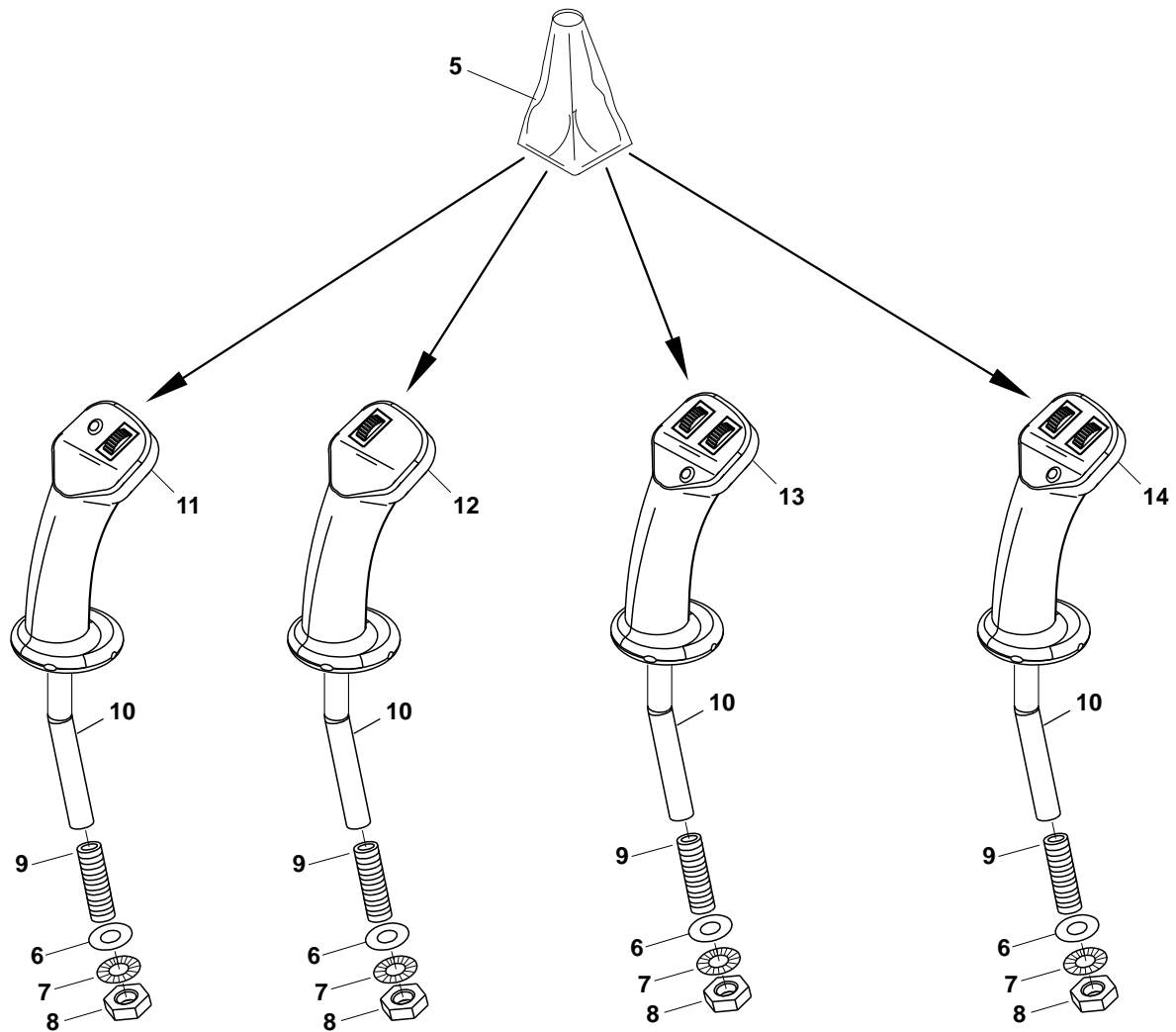
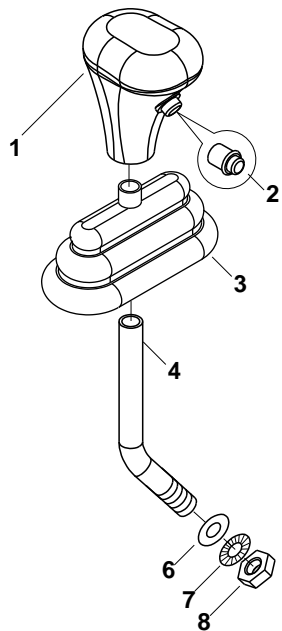
<b>NUMERO TAVOLA</b> <b>TABLE NUMBER</b> <b>G30110</b>	<b>VERSIONE</b> <b>VERSION</b> <b>00</b> 01/09/09	<b>CODICE MACCHINA</b> <b>MACHINE CODE</b> <b>APOLLO</b> Matr. 1900		<b>DESCRIZIONE:</b>	<b>CRUSCOTTO</b> <b>INSTRUMENT PANEL</b> <b>TABLEAU DE BORD</b> <b>TABLERO</b> <b>INSTRUMENTENBRETT</b>
--	--	--	---	---------------------	---

Table	Item#	Pg.	Code	Part Description - English	Part Description - French	Part Description - Italian
G30110	1	22	4C.106351	PUSH BUTTON	BOUTON-POUSSOIR	PULSANTE
G30110	2	22	4C.106353	CONNECTING UNIT	CONNECTION	CONTATTO
G30110	3	22	4C.05500036	DASHBOARD	TABEAU DE BOARD	PANNELLO STRUMENTI
G30110	4	22	3E.1628100	HOUSING	CARTER	LAMIERA
G30110	5	22	4C.114014	WRENCH	CLE	CHIAVE
G30110	6	22	4C.109058	BLOCK	BLOC	BLOCCHETTO
G30110	7	22	4C.100202	FRAME	CADRE	PORTAINTERRUTTORI TERMIN
G30110	8	22	4C.100201	FRAME	CADRE	PORTAINTERRUTTORI INTERM
G30110	9	22	4C.106AA014	SWITCH	INTERRUPTEUR	INTERRUTTORE
G30110	10	22	4C.106AA024	SWITCH	INTERRUPTEUR	INTERRUTTORE
G30110	11	22	4C.106AA010	SWITCH	INTERRUPTEUR	INTERRUTTORE
G30110	12	22	4C.106AA008	SWITCH	INTERRUPTEUR	INTERRUTTORE
G30110	13	22	4C.106AA007	SWITCH	INTERRUPTEUR	INTERRUTTORE
G30110	14	22	4C.106AA010	SWITCH	INTERRUPTEUR	INTERRUTTORE
G30110	15	22	4C.77607	WARNING LIGHT GLASS	VERRE DU TEMOIN	VETRO SPIA
G30110	17	22	4C.77981	WARNING LIGHT GLASS	VERRE DU TEMOIN	VETRO SPIA
G30110	18	22	BEM3079	WARNING LIGHT GLASS	VERRE DU TEMOIN	VETRO SPIA
G30110	19	22	4C.77514	WARNING LIGHT GLASS	VERRE DU TEMOIN	VETRO SPIA
G30110	20	22	BEM3070	WARNING LIGHT GLASS	VERRE DU TEMOIN	VETRO SPIA
G30110	21	22	4C.106AA009	SWITCH	INTERRUPTEUR	INTERRUTTORE
G30110	22	22	4C.77755	WARNING LIGHT GLASS	VERRE DU TEMOIN	VETRO SPIA
G30110	23	22	BEN1022	SNAP ON CAP	BOUCHON A CRAN	TAPPO A SCATTO
G30110	24	22	4C.106AA024	SWITCH	INTERRUPTEUR	INTERRUTTORE
G30110	25	22	4C.77525	WARNING LIGHT GLASS	VERRE DU TEMOIN	VETRO SPIA
G30110	27	22	BEM3073	WARNING LIGHT GLASS	VERRE DU TEMOIN	VETRO SPIA
G30110	30	22	4C.106AA008	SWITCH	INTERRUPTEUR	INTERRUTTORE
G30110	31	22	BEM3071	WARNING LIGHT GLASS	VERRE DU TEMOIN	VETRO SPIA
G30110	34	22	4C.740020	LIGHT HOLDER	LIGHT HOLDER	PORTA LAMPADA
G30110	35	22	4C.115011	LAMP	LAMPE	LAMPADA
G30110	36	22	BWD0003	LEVVELLING ROD	BULLE DE NIVEAU	BOLLA LIVELLANTE
G30110	37	22	BAE1208	SCREW	VIS	VITE
G30110	38	22	4C.34016506A1	SECURITY ROLLOVER	DISPLAY DE SURTE	DISPLAY ANTIRIBALT.
G30110	39	22	1P.P9B10VN	CONNECTING UNIT	CONNECTION	CONTATTO
G30110	40	22	1P.P9PDNV0	LIGHT HOLDER	PORTE AMPOULE	PORTA LAMPADA
G30110	41	22	4C.115017	LAMP	LAMPE	LAMPADA
G30110	42	22	1P.P9MPLGGD	PUSH BUTTON	BOUTON-POUSSOIR	PULSANTE
G30110	43	22	4C.73037	WRENCH	CLEF	CHIAVE
G30110	44	22	4C.106128	SELECTOR	SELECTEUR	SELETTORE
G30110	45	22	1P.P9B10VN	CONNECTING UNIT	CONNECTION	CONTATTO
G30110	46	22	1P.P9MSCX0Z95	WRENCH	CLEF	CHIAVE
G30110	47	22	1P.P9B11VN	CONNECTING UNIT	CONNECTION	CONTATTO



3 in1  
BHB5541

3 in1 SF  
BHB3226

4 in1 con PTO  
BHB3227

Flow Sharing - 4 in 1 Prop.  
BHB3224

NUMERO TAVOLA  
TABLE NUMBER  
**G30133\_01**

VERSIONE  
VERSION  
**01**  
15/04/11

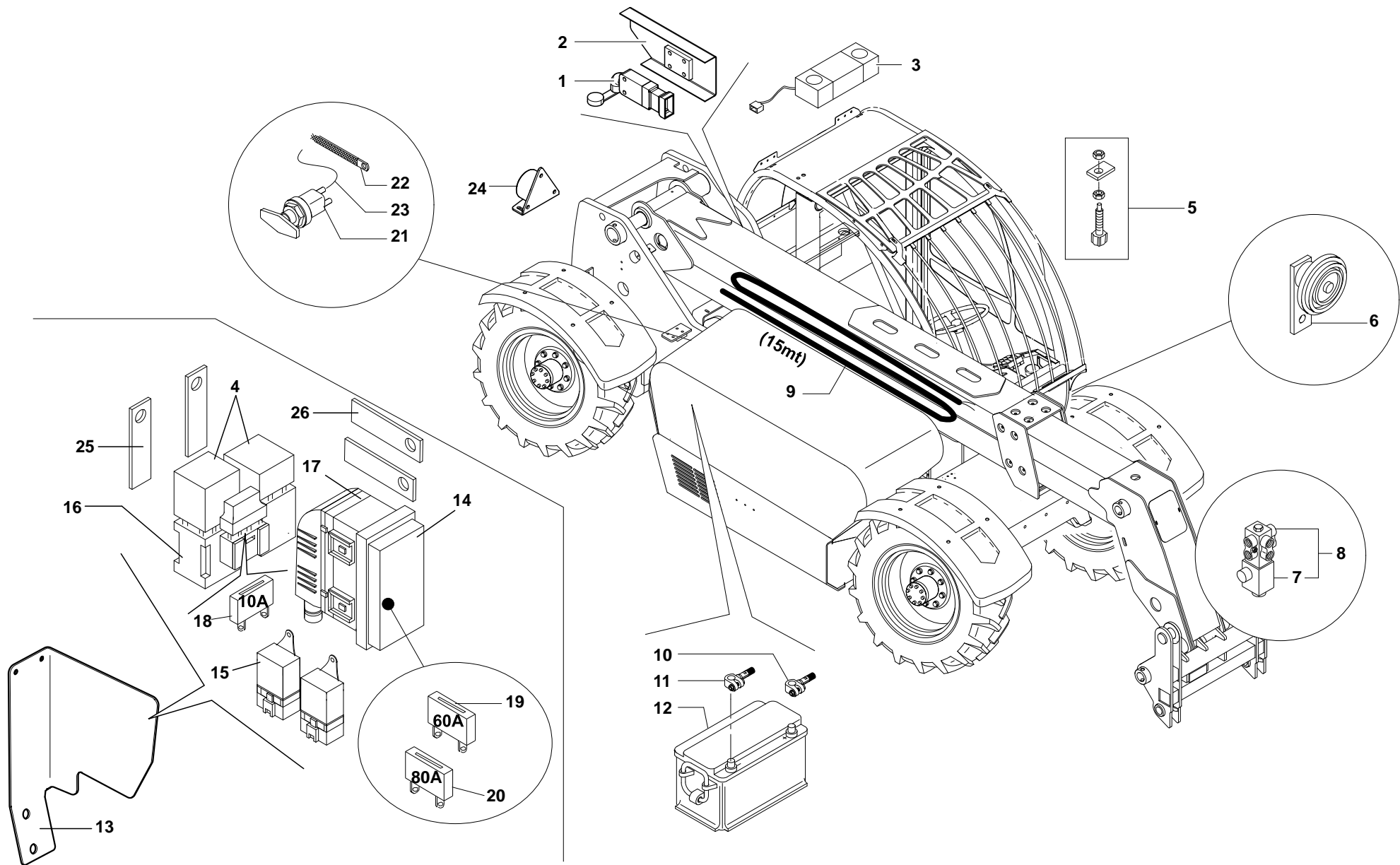
CODICE MACCHINA  
MACHINE CODE  
**APOLLO**  
Matr. 1900



DESCRIZIONE:

JOYSTICK X DISTRIBUTORI (OPTIONAL)  
DISTRIBUTOR JOYSTICK (OPTIONAL)  
JOYSTICK X DISTRIBUTEURS (OPTIONAL)  
JOYSTICK PARA DISTRIBUIDORES (OPC.)  
JOYSTICK F†86R STEUERSCHIEBER (OPTION)

Table	Item#	Pg.	Code	Part Description - English	Part Description - French	Part Description - Italian
G30133_01	1	23	BEN2008	KNOB	POIGNEE'	POMOLO
G30133_01	2	23	BEN1023	PUSH BUTTON	BOUTON POUSSOIR	PULSANTE
G30133_01	3	23	BWD1121	PLUG	COUFFE	CUFFIA
G30133_01	4	23	POA2016/1CL	ROD	TIGE	ASTA X DISTRIBUTORE
G30133_01	5	23	BWD1120	PLUG	COUFFE	CUFFIA
G30133_01	6	23	BAL5116	SCREW	VIS	RONDELLA
G30133_01	7	23	BAL3230	WASHER	RONDELLE	RONDELLA DENT
G30133_01	8	23	BAG3134	NUT	ECROU	DADO
G30133_01	9	23	BAC1135	SCREW	VIS	VITE STEI
G30133_01	10	23	3V.3GIU614993	ROD	TIGE	ASTA X DISTRIBUTORE
G30133_01	11	23	BHB5541	JOYSTICK	MANIPULATEUR	JOYSTICK
G30133_01	12	23	BHB3226	JOYSTICK	MANIPULATEUR	JOYSTICK
G30133_01	13	23	BHB3227	JOYSTICK	MANIPULATEUR	JOYSTICK
G30133_01	14	23	BHB3224	JOYSTICK	MANIPULATEUR	JOYSTICK



NUMERO TAVOLA  
TABLE NUMBER  
**G30111**

VERSIONE  
VERSION  
**00**  
01/09/09

CODICE MACCHINA  
MACHINE CODE  
**APOLLO**  
Matr. 1900

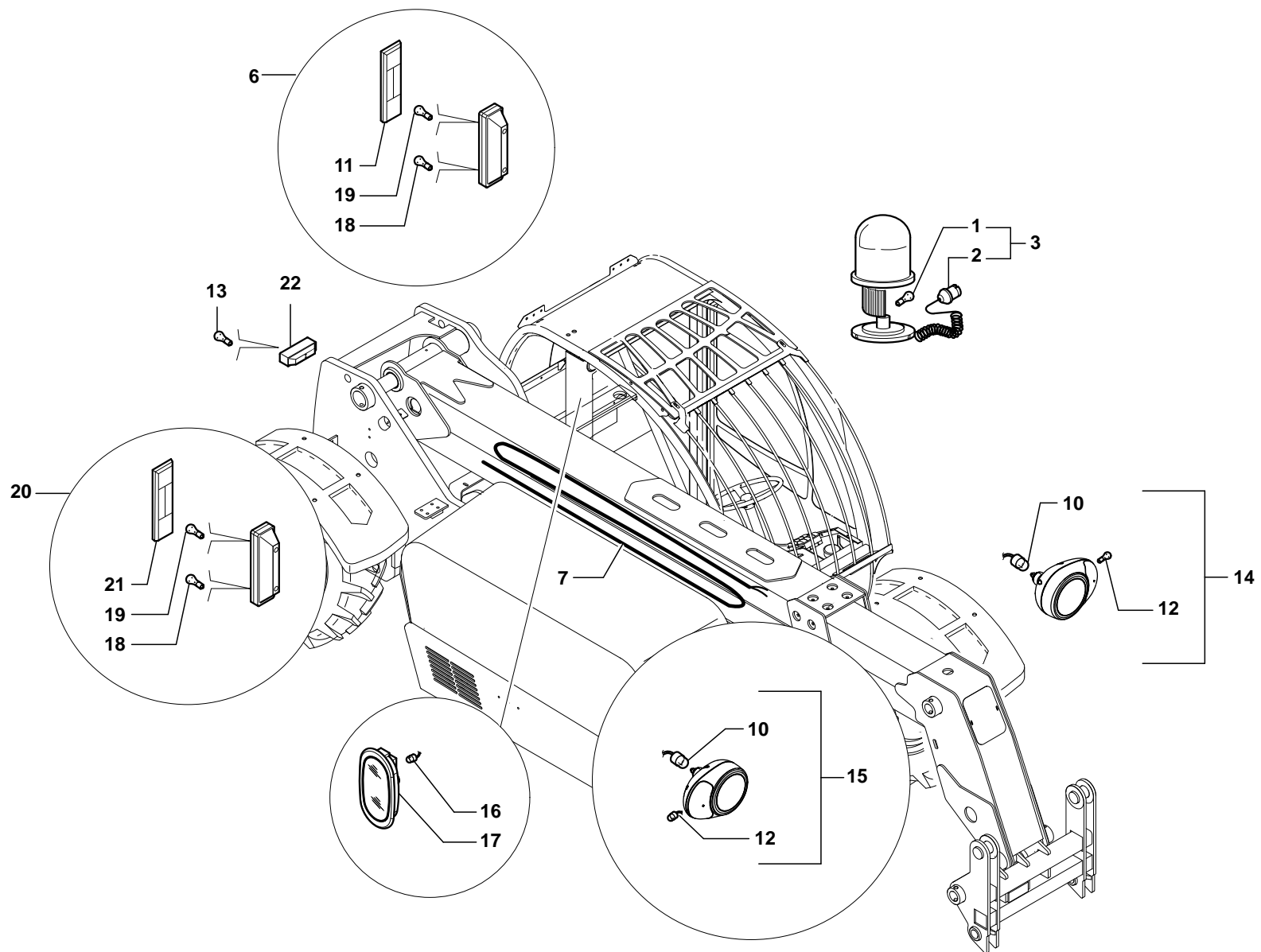


DESCRIZIONE:

PARTI ELETTRICHE ESTERNE  
EXTERIOR ELECTRICAL COMPONENTS  
PARTIES ELECTRIQUES EXTERNES  
PIEZAS ELECTRICAS EXTERNAS  
EXTERNE ELEKTROTEILE

Table	Item#	Pg.	Code	Part Description - English	Part Description - French	Part Description - Italian
G30111	1	24	BEP0429	SENSOR	SENSEUR	SENSORE MICRO
G30111	2	24	CAR0000867	COVERPLATE	PROTECTION EN TOLE	LAMIERA DI PROTEZIONE
G30111	3	24	BEP0424	EXTENSIMETER TRANSDUCER	TRANSDUCTEUR EXTENSIOMETRIQUE	TRASDUTTORE ESTENSIMETRICO
G30111	4	24	4C.157102	RELAY	RELAIS	RELAIS
G30111	5	24	BEP0106	SWITCH (STOP)	INTERRUPTEUR (STOP)	INTERRUTTORE (STOP)
G30111	6	24	BEQ0054	HORN	KLAXON	CLAXON
G30111	7	24	BHE1413/LC	SOLENOID VALVE	SOUPAPE ELECTRIQUE	BOBINA
G30111	8	24	BHB3162	SELECTOR	SELECTEUR	SELETTORE 6 VIE
G30111	9	24	BEJ1006/15	ELECTRIC WIRE	LIGNE ELECTRIQUE	LINEA ELETTRICA
G30111	10	24	4C.0A009511	LEAD (+)	FIL (+)	CAVO (+)
G30111	11	24	4C.0A009512	BONDING LEAD	FIL DE MÉTALLISATION	CAVO DI MASSA
G30111	12	24	BEL0016	BATTERY	BATTERIE	BATTERIA
G30111	13	24	CVC5948/0C3	SUPPORT	SUPPORT	SUPPORTO
G30111	14	24	4C.113624	COVER	COUVERCLE	COPERCHIO
G30111	15	24	1Y.19846152950	RELAY	RELAIS	RELAIS
G30111	16	24	4C.125217	CONNECTOR	CONNECTEUR	CONNETTORE
G30111	17	24	4C.113623	FUSE BOX	BOITE A FUSIBLE	PORTAFUSIBILI
G30111	18	24	BEG2097	FUSE	FUSIBLE	FUSIBILE 10A
G30111	19	24	4C.163033	FUSE	FUSIBLE	FUSIBILE 60A
G30111	20	24	4C.163029	FUSE	FUSIBLE	FUSIBILE 80A
G30111	21	24	BEN1060	SHUTDOWN BATTERY	COUPE BATTERIE	STACCA BATTERIA
G30111	22	24	4C.0A009574	BONDING LEAD	FIL DE MÉTALLISATION	CAVO DI MASSA
G30111	23	24	4C.760035	ELECTRICAL UNION	RACCORD ELECTRIQUE	TRECCIA ELETTRICA
G30111	24	24	BEQ0101/F	CLAXON REVERSE GEAR	CLAXON MARCHE ARRIERE	CLAXON RETROMARCIA
G30111	25	24	4C.1C020349	STIRRUP	ETRIER	STAFFA
G30111	26	24	4C.1C020458	SUPPORT RELAY	SUPPORT RELAIS	SUPPORTO RELAIS





NUMERO TAVOLA  
TABLE NUMBER  
**G30079**

VERSIONE  
VERSION  
**00**  
01/10/08

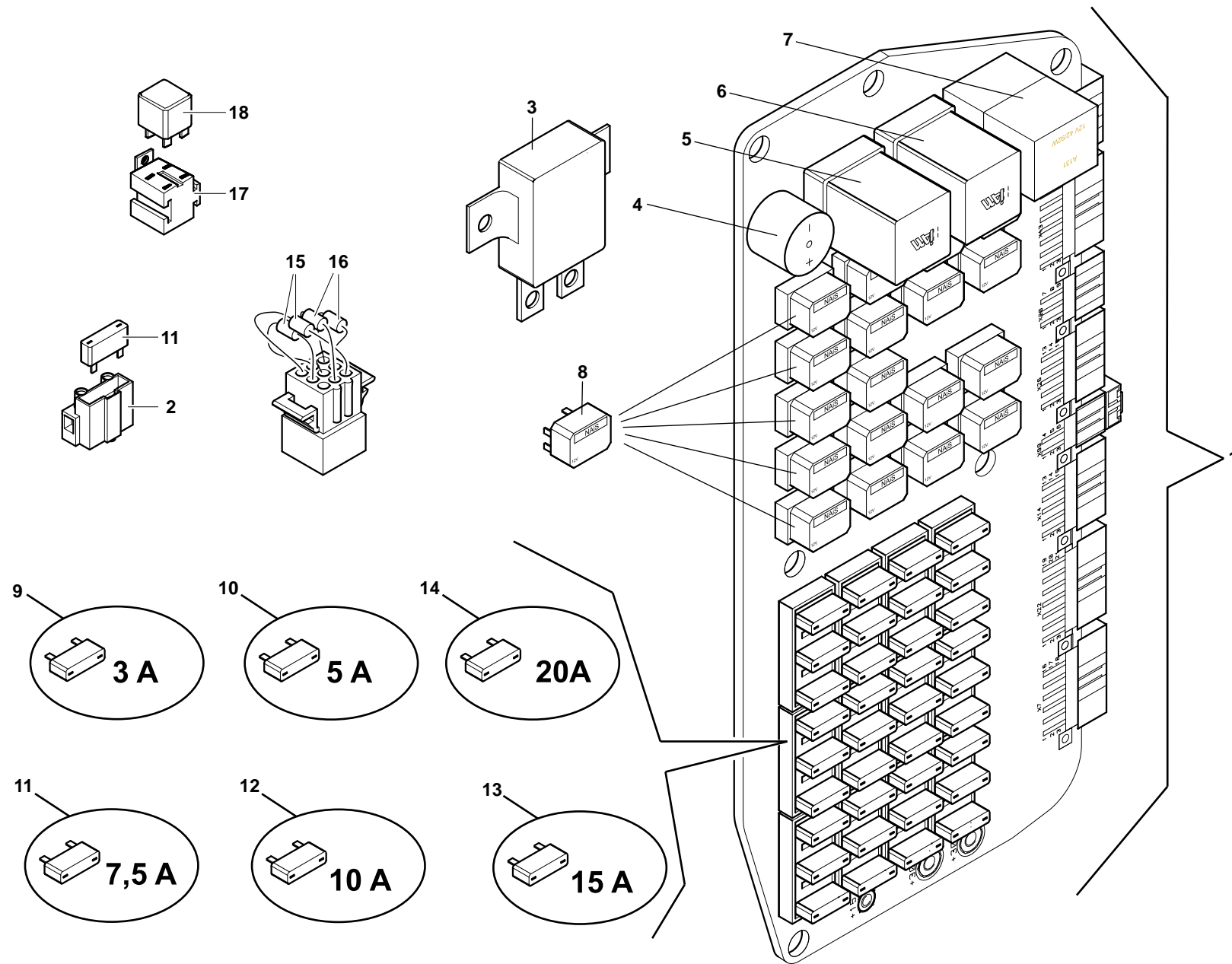
CODICE MACCHINA  
MACHINE CODE  
**APOLLO**  
Matr. 1900



DESCRIZIONE:

FANALERIA-LUCI  
LIGHTS  
LUMIERES  
LUCES  
LEUCHTANLAGE

Table	Item#	Pg.	Code	Part Description - English	Part Description - French	Part Description - Italian
G30079	1	25	4C.115067	LIGHT BULB	LAMPE	LAMPADA
G30079	2	25	BEN1052	ELECTRIC PLUG	PRISE ELECTRIQUE	SPINA
G30079	3	25	4C.110468	BLINKER	FEU CLIGNOTANT	FARO LAMPEGGIANTE
G30079	6	25	4C.110705	LIGHT LEFT	FEU	FANALE POST. SX
G30079	7	25	BEJ1006	ELECTRIC WIRE	LIGNE ELECTRIQUE	LINEA ELETTRICA
G30079	10	25	BEM4020	LAMP	LAMPE	LAMPADA
G30079	11	25	4C.127082	LIGHT GLASS SX	VITRE FEU SX	RODOVETRO SX
G30079	12	25	BEM4011	LIGHT BULB	LAMPE	LAMPADA
G30079	13	25	BEM4017	LIGHT BULB	LAMPE	LAMPADA
G30079	14	25	4C.0510500000A3	HEADLIGHT LEFT	PHARE	FANALE ANT SX
G30079	15	25	4C.0510490000A3	HEADLIGHT RIGHT	PHARE	FANALE ANT DX
G30079	16	25	BEM4017	LAMP	LAMPE	LAMPADA
G30079	17	25	3E.31587	CAB LIGHT	PLAFONNIERE	PLAFONIERA
G30079	18	25	BEM4004	LAMP	LAMPE	LAMPADA
G30079	19	25	BEM4011	LIGHT BULB	LAMPE	LAMPADA
G30079	20	25	4C.110704	LIGHT RIGHT	FEU	FANALE POST. DX
G30079	21	25	4C.127081	LIGHT GLASS DX	VITRE FEU DX	RODOVETRO DX
G30079	22	25	BEM2022	LIGHT	FEU	FANALE TARGA



NUMERO TAVOLA  
TABLE NUMBER  
**G30010**

VERSIONE  
VERSION  
**00**  
01/10/08

CODICE MACCHINA  
MACHINE CODE  
**APOLLO**  
Matr. 1900




DESCRIZIONE:

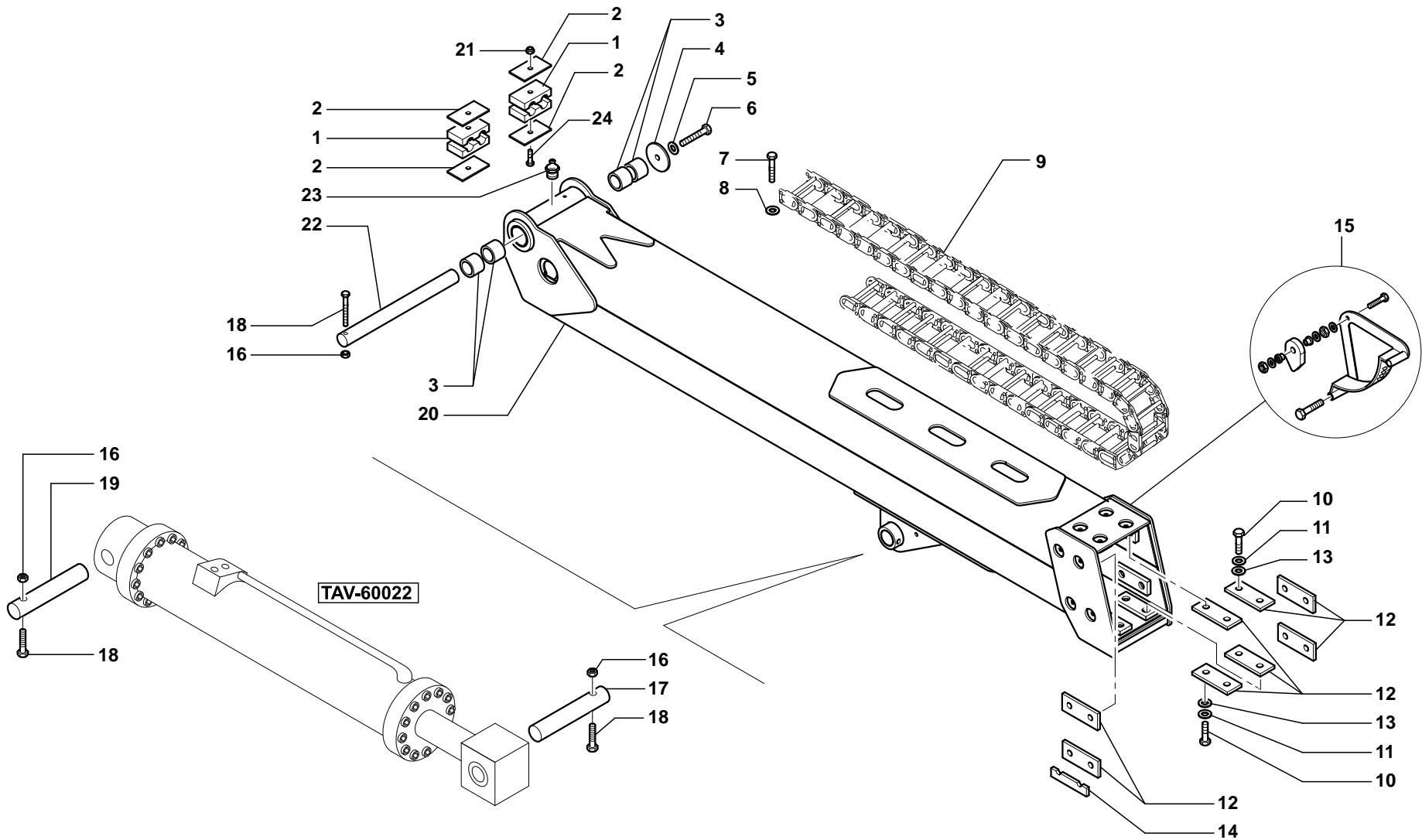
SCHEDA ELETTRICA  
CARD ELECTRICAL WORKER  
OUVRIER ÉLECTRIQUE DE CARTE  
TRABAJADOR ELÉCTRICO DE LA TARJET  
KARTE ELEKTRISCHER ARBEITER

Table	Item#	Pg.	Code	Part Description - English	Part Description - French	Part Description - Italian
G30010	1	26	4C.01171037	ELECTRICAL MASTER	COEUR ÉLECTRIQUE	CENTRALINA ELETTRICA
G30010	2	26	4C.XE0800569	FUSE HOLDER	PORTE-FUSIBLES	PORTA FUSIBILI
G30010	3	26	4C.157115	RELAY	RELAIS	RELAIS
G30010	4	26	4C.112017	AUDIO WARNING SYSTEM	AVERTISSEUR SONORE	AVVISATORE SONORO
G30010	5	26	4C.00117128	TIMER	COMPTEUR	TEMPORIZZATORE
G30010	6	26	4C.01171045	ELECTRICAL MASTER	COEUR ÉLECTRIQUE	CENTRALINA ANTIRIP.
G30010	7	26	4C.105021	JOGGING	INTERMITTENCE	INTERMITTENZA
G30010	8	26	4C.157061	RELAIS	RELAIS	RELAIS
G30010	9	26	4C.163010	FUSE	FUSIBLE	FUSIBILE 3A
G30010	10	26	4C.163031	FUSE	FUSIBLE	FUSIBILE 5A
G30010	11	26	BEG2098	FUSE	FUSIBLE	FUSIBILE 7,5A
G30010	12	26	BEG2097	FUSE	FUSIBLE	FUSIBILE 10A
G30010	13	26	BEG2110	FUSE	FUSIBLE	FUSIBILE 15A
G30010	14	26	BEG2096	FUSE	FUSIBLE	FUSIBILE 20A
G30010	15	26	4C.303754006	DIODE 1A	DIODE 1A	DIODO 1A
G30010	16	26	4C.303754024	DIODE 6A	DIODE 6A	DIODO 6A
G30010	17	26	4C.XE0801086	CONNECTOR	CONNECTEUR	CONNETTORE
G30010	18	26	4C.304552004	RELAY	RELAIS	RELAIS



04

<b>NUMERO TAVOLA</b> TABLE NUMBER <b>G40000</b>	<b>VERSIONE</b> VERSION <b>00</b>	<b>CODICE MACCHINA</b> MACHINE CODE <b>APOLLO</b>	 <small>macchine edili ed agricole</small>	<b>DESCRIZIONE:</b>	<b>BRACCI E PORTAFORCHE DI SERIE</b> <b>BOOMS AND FORK CARRIAGE</b> <b>FLECHES ET PORTE FOURCHES</b> <b>BRAZOS Y PORTA HORQUILLAS</b> <b>MAST UND GABELTRAEGERPLATTE SERIENM.</b>
---	---	---	--	---------------------	---



BXM1656


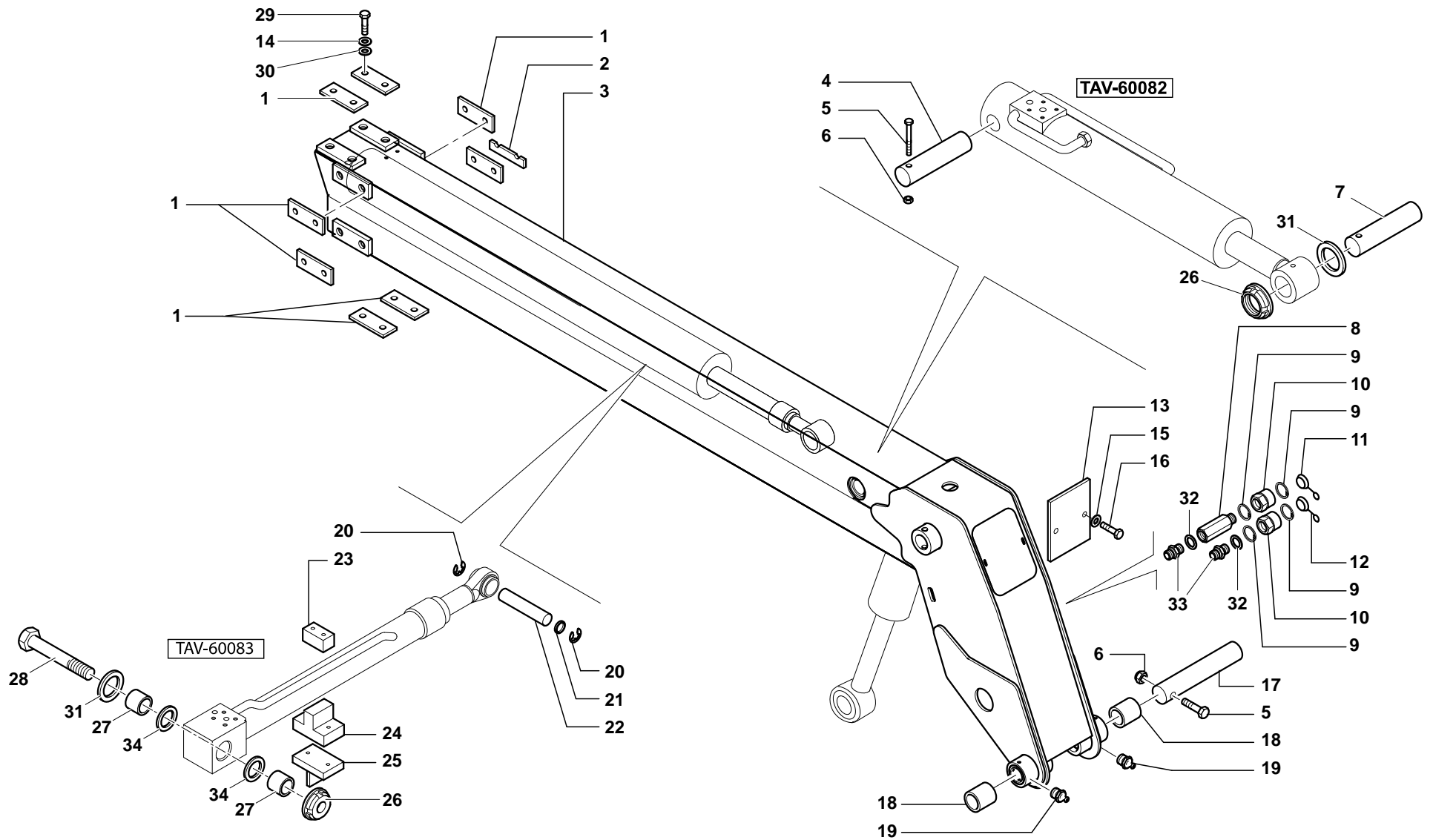
NUMERO TAVOLA TABLE NUMBER <b>G40077</b>	VERSIONE VERSION <b>00</b> 01/10/08	CODICE MACCHINA MACHINE CODE <b>APOLLO</b> Matr. 1900		DESCRIZIONE:	BRACCIO ESTERNO OUTER ARM FLECHE EXTERIEURE BRAZO EXTERNO MASTUNTERTEIL
--	--	--	---	--------------	---

Table	Item#	Pg.	Code	Part Description - English	Part Description - French	Part Description - Italian
G40077	1	28	BWF1332	SUPPORT	SUPPORT	SUPPORTO
G40077	2	28	BWF1380	SAFETY PLATE	ARRETOIR	PIASTRINA DI FERMO
G40077	3	28	BSF0507/2	BUSHING	DOUILLE	BOCCOLA
G40077	4	28	PON3010/CL	WASHER	RONDELLE	RONDELLA
G40077	5	28	BAL3250	WASHER	RONDELLE	RONDELLA
G40077	6	28	BAA7304	SCREW	VIS	VITE
G40077	7	28	BAA5150	SCREW	VIS	VITE
G40077	8	28	BAL5110	WASHER	RONDELLE	RONDELLA
G40077	9	28	BWF1563	CHAIN	CHAINE	CATENA
G40077	10	28	BAA7303	HOLLOW STUD	COLONNETTE	COLONNETTA
G40077	11	28	BAL3249	BRACKET	ETRIER	RONDELLA TAZZA
G40077	12	28	BSF6451	SLIDING PIN	PATIN	PATTINO
G40077	13	28	BAL5116	WASHER	RONDELLE	RONDELLA
G40077	14	28	CVC3854	SHIM	CALE	SPESSORE
G40077	15	28	BCN7685	INCLINING GAUGE KIT	ARBRE DE TRANSMISSION	KIT INCLINOMETRO
G40077	16	28	BAG4106	NUT	ECROU	DADO
G40077	17	28	BRD3017	PIN	EPINE	SPINA
G40077	18	28	BAA7420	SCREW	VIS	VITE
G40077	19	28	BRI6029/1	PIN	EPINE	SPINA
G40077	20	28	BCH6520	OUTER ARM	FLECHE EXTERIEURE	BRACCIO ESTERNO
G40077	21	28	BAG4117	NUT	ECROU	DADO
G40077	22	28	BRI6076	PIN	EPINE	SPINA
G40077	23	28	BWI1119	GREASER	GRAISSEUR	INGRASSATORE
G40077	24	28	BAA7214	SCREW	VIS	VITE T.E.



BX1656


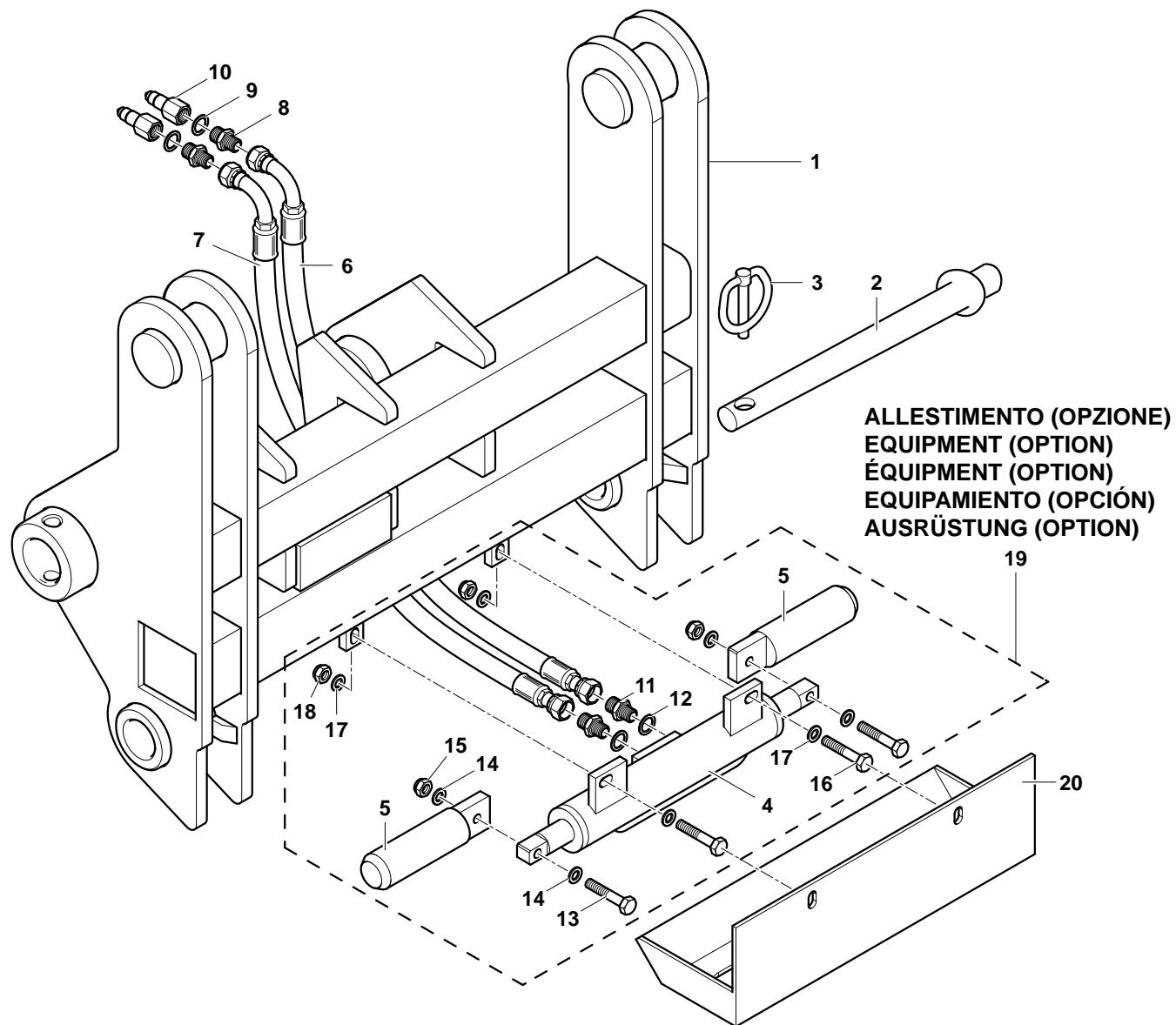
<p>NUMERO TAVOLA TABLE NUMBER <b>G40078</b></p>	<p>VERSIONE VERSION <b>00</b> 01/10/08</p>	<p>CODICE MACCHINA MACHINE CODE <b>APOLLO</b> Matr. 1900</p>		<p>DESCRIZIONE:</p>	<p>BRACCIO INTERNO INNER ARM FLECHE INTERIEURE BRAZO INTERNO MASTKOPFTEIL</p>
---	--	--	---	---------------------	---



Table	Item#	Pg.	Code	Part Description - English	Part Description - French	Part Description - Italian
G40078	1	29	BSF6451	SLIDING PIN	PATIN	PATTINO
G40078	2	29	CVC3854	SHIM	CALE	SPESSORE
G40078	3	29	BCH6521	INNER ARM	BRAS INT.	BRACCIO INTERNO
G40078	4	29	BRI5032	PIN	EPINE	SPINA
G40078	5	29	BAA7420	SCREW	VIS	VITE
G40078	6	29	BAG4106	NUT	ECROU	DADO
G40078	7	29	BRI5019/F	PIN	EPINE	SPINA
G40078	8	29	BHA0563	HOLLOW STUD	COLONNETTE	COLONNETTA
G40078	9	29	BWQ2129	SNAP RING	CIRCLIP	SEEGER
G40078	10	29	BHA0859	RAPID COUPLING	CONECTION RAPID	INNESTO RAPIDO
G40078	11	29	BHA0856	PLUG BLUE	BOUCHON BLEU	TAPPO BLU
G40078	12	29	BHA0861	PLUG RED	BOUCHON ROUGE	TAPPO ROSSO
G40078	13	29	CVC4570/OD	HOUSING	CARTER	LAMIERA
G40078	14	29	BAL3249	WASHER	RONDELLE	RONDELLA TAZZA
G40078	15	29	BAL5110	WASHER	RONDELLE	RONDELLA
G40078	16	29	BAA7150	SCREW	VIS	VITE
G40078	17	29	BRI5051	PIN	EPINE	SPINA
G40078	18	29	BSF0424	BUSHING	DOUILLE	BOCCOLA
G40078	19	29	BWI1119	GREASER	GRAISSEUR	INGRASSATORE
G40078	20	29	BWQ2136	SNAP RING	CIRCLIP	SEEGER
G40078	21	29	PAR2001	BUSHING	DOUILLE	BOCCOLA
G40078	22	29	BRI4521	PIN	EPINE	SPINA
G40078	23	29	BSF6706	SLIDING PIN	PATIN	PATTINO
G40078	24	29	BSF6350	SLIDING PIN	PATIN	PATTINO
G40078	25	29	BCN9754	FLANGE	BRIDE	FLANGIA
G40078	26	29	BAM1108	RING NUT	ECROU	GHIERA
G40078	27	29	BSF0415/2	BUSHING	DOUILLE	BOCCOLA
G40078	28	29	BRI5518/1	PIN	EPINE	SPINA
G40078	29	29	BAA7303	SCREW	VIS	VITE
G40078	30	29	BAL5116	WASHER	RONDELLE	RONDELLA
G40078	31	29	PAR4002	WASHER	RONDELLE	RONDELLA
G40078	32	29	BHG4730	WASHER	RONDELLE	RONDELLA
G40078	33	29	BHA0128	NIPPLE	NIPPLE	NIPPLE
G40078	34	29	PAS6001	WASHER	RONDELLE	RONDELLA



NUMERO TAVOLA  
TABLE NUMBER  
**G40079**

VERSIONE  
VERSION  
**00**  
01/10/08

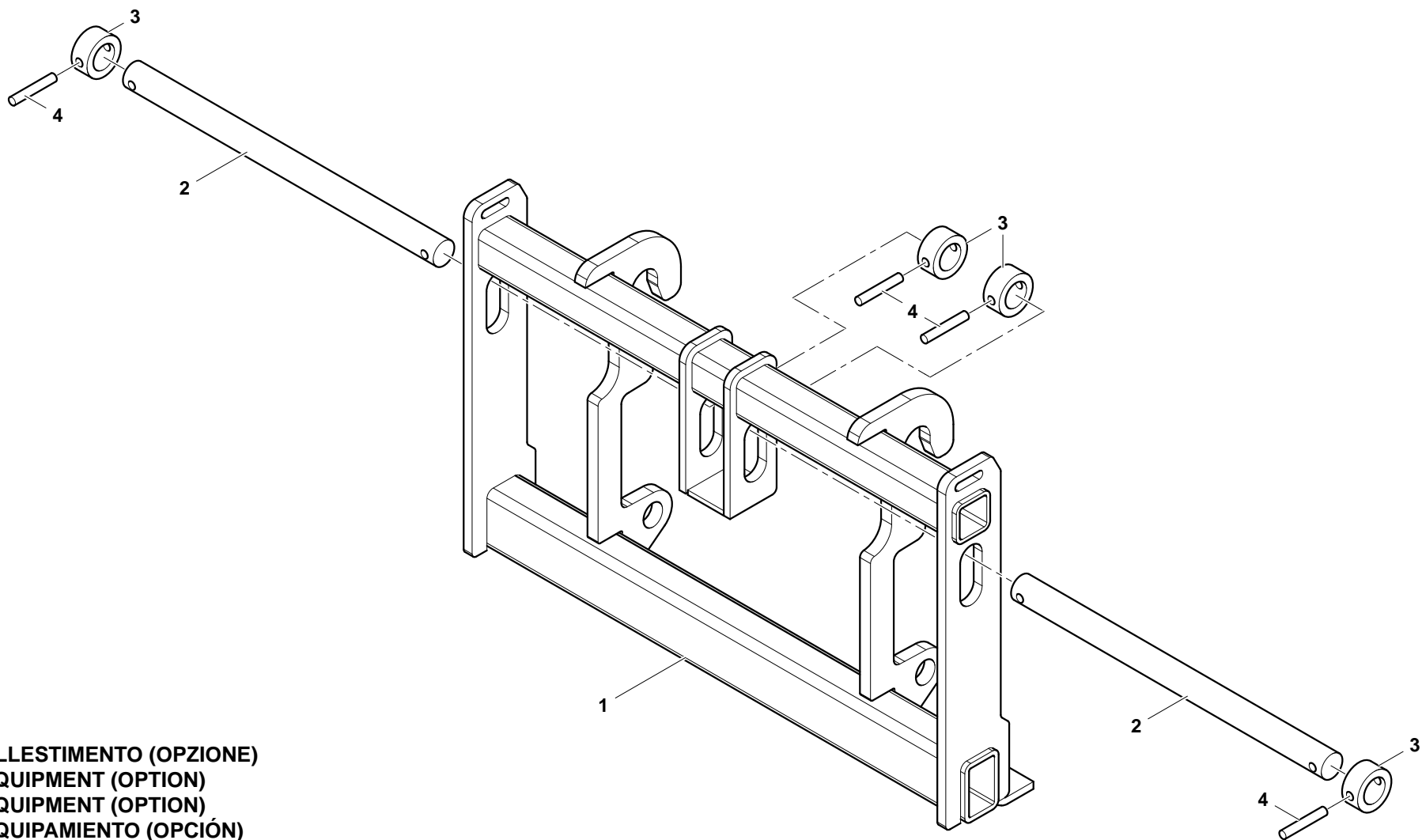
CODICE MACCHINA  
MACHINE CODE  
**APOLLO**  
Matr. 1900



DESCRIZIONE:

PIASTRA  
PLATE  
PLAQUE  
PLACA  
HERDPLATTE

Table	Item#	Pg.	Code	Part Description - English	Part Description - French	Part Description - Italian
G40079	1	30	BCV8072/0G	FORK HOLDER PLATE	PLAQUE PORTE-FOURCHES	PIASTRA PORTA-FORCHE
G40079	2	30	BUD5561/CL	REMARKS	REMARQUES	SPINA BLOCCAGGIO ATTREZZATURA
G40079	3	30	BWH2165	COTTER PIN	GOUPILLE	COPIGLIA
G40079	4	30	BHM0036/0G	JACK	VÉRIN	MARTINETTO
G40079	5	30	BUD5559/CL	PIN	EPINE	SPINA
G40079	6	30	BKF5555/54	FLEXIBLE PIPE	TUBO FLEXIBLE	TUBO FLESSIBILE
G40079	7	30	BKF5560/54	FLEXIBLE PIPE	TUBO FLEXIBLE	TUBO FLESSIBILE
G40079	8	30	BHA0104	NIPPLE	NIPPLE	NIPPLE
G40079	9	30	BHG4730	WASHER	RONDELLE	RONDELLA
G40079	10	30	BHA0860	RAPID COUPLING	CONNECTION RAPID	INNESTO RAPIDO
G40079	11	30	BHA0101	NIPPLE	NIPPLE	NIPPLE
G40079	12	30	BHG4723	WASHER	RONDELLE	RONDELLA
G40079	13	30	BAA7308	SCREW	VIS	VITE
G40079	14	30	BAL5116	WASHER	RONDELLE	RONDELLA
G40079	15	30	BAG4119	SELF LOCKING NUT	ECROU AUTOBLOCANT	DADO AUTOBLOK BASSO
G40079	16	30	BAB5256	SCREW	VIS	VITE
G40079	17	30	BAL5114	WASHER	RONDELLE	RONDELLA
G40079	18	30	BAG4118	NUT	ECROU	DADO
G40079	19	30	EID4672	QUICK FITTING/QUICK COUPLING	RACCORD RAPIDE	KIT ATTACCO RAPIDO
G40079	20	30	CAR0000094	COVERPLATE	PROTECTION EN TOLE	LAMIERA DI PROTEZIONE



ALLESTIMENTO (OPZIONE)  
 EQUIPMENT (OPTION)  
 ÉQUIPMENT (OPTION)  
 EQUIPAMIENTO (OPCIÓN)  
 AUSRÜSTUNG (OPTION)


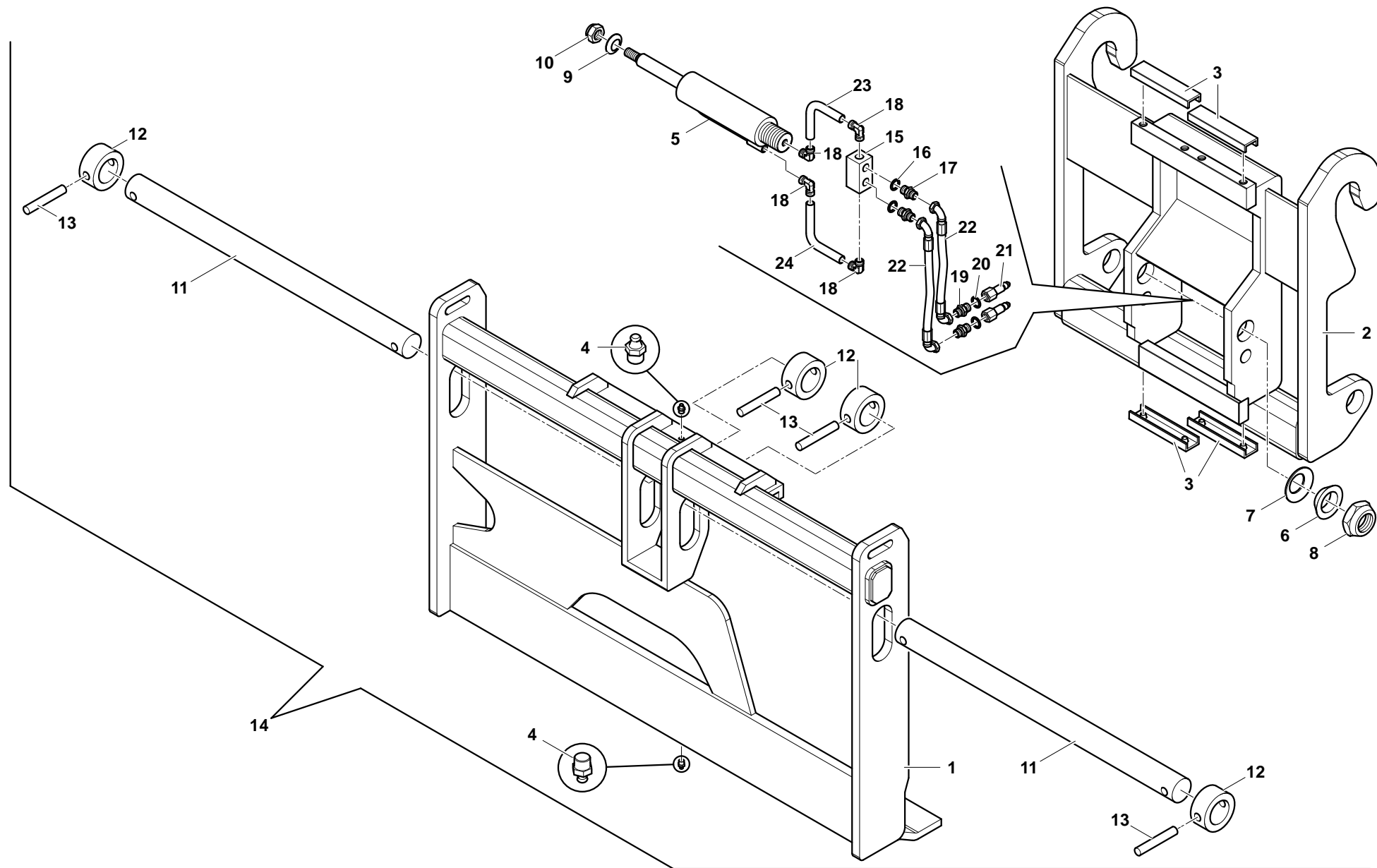
NUMERO TAVOLA TABLE NUMBER <b>G40141</b>	VERSIONE VERSION <b>00</b> 10/03/11	CODICE MACCHINA MACHINE CODE <b>APOLLO</b> Matr. 1900		DESCRIZIONE: <b>CONTROPIASTRA FISSA</b> <b>FIXED COUNTERPLATE</b> <b>TABLIER FIXE</b> <b>CONTRAPLANCHA FIJA</b> <b>FUTTERPLATTE</b>
--	--	--	---	--

Table	Item#	Pg.	Code	Part Description - English	Part Description - French	Part Description - Italian
G40141	1	31	BCV8064/0G	FIXED COUNTERPLATE	TABLIER FIXE	CONTROPIASTRA FISSA
G40141	2	31	BRI5059/CL	PIN	AXE	PERNO
G40141	3	31	PAS8003/CL	BUSHING	DOUILLE	BOCCOLA
G40141	4	31	BWS2437	SPRING PIN	BROCHE ELASTIQUE	SPINA ELASTICA




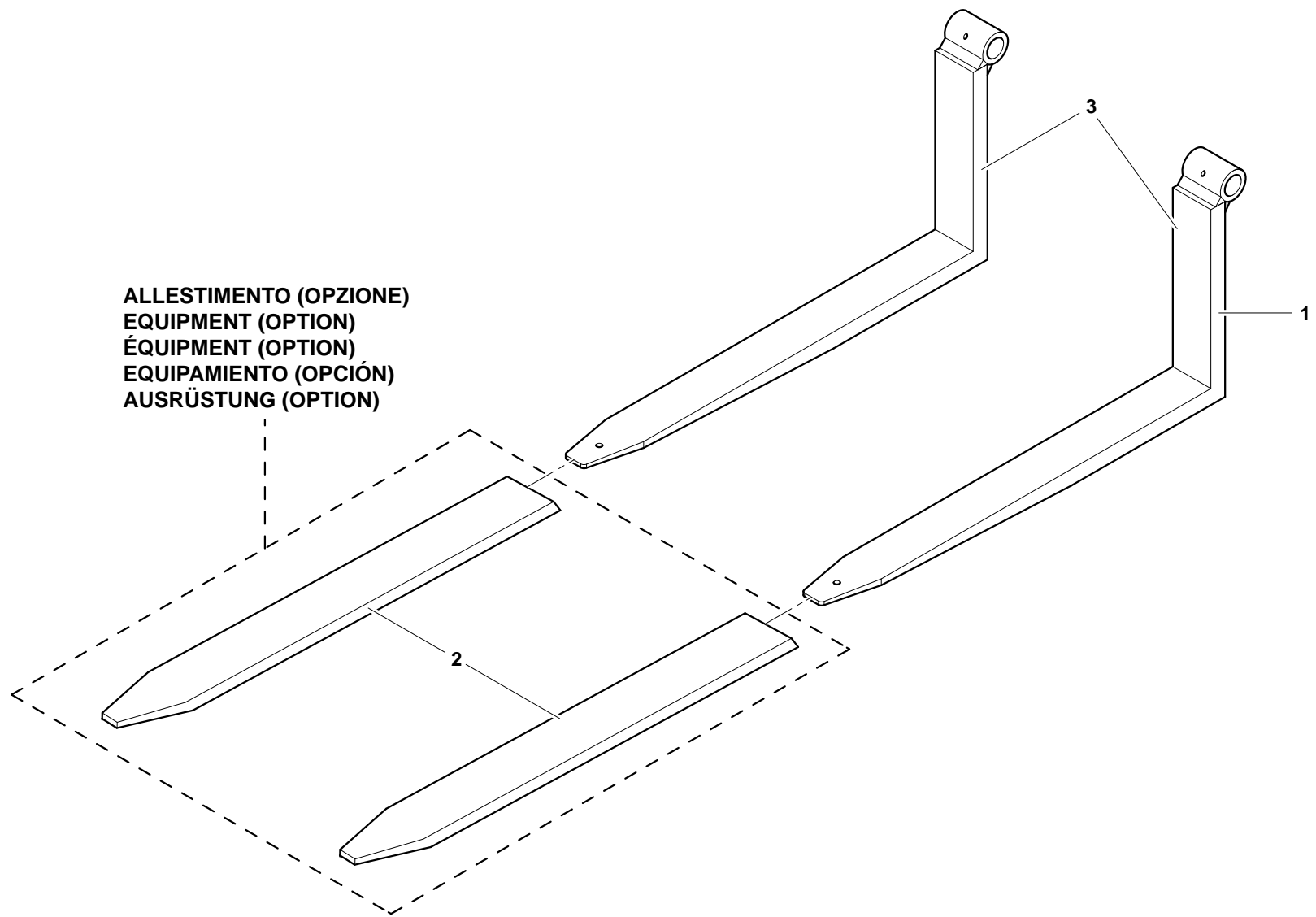
<p>NUMERO TAVOLA TABLE NUMBER <b>G40142</b></p>	<p>VERSIONE VERSION <b>00</b> 10/03/11</p>	<p>CODICE MACCHINA MACHINE CODE <b>APOLLO</b> Matr. 1900</p>		<p>DESCRIZIONE:</p>	<p><b>CONTROPIASTRA TRASLANTE</b> COUNTERPLATE WITH SIDE SHIFT TABLIER À DÉPLACEMENT LATÉRAL CONTRAPLANCHA DE TRANSLACION FUTTERPLATTE</p>
---	--	--	---	---------------------	--

Table	Item#	Pg.	Code	Part Description - English	Part Description - French	Part Description - Italian
G40142	1	32	BCV8168	BODY	CORPS	CORPO TRASLANTE
G40142	2	32	BCV8169	BODY	CORPS	CORPO FISSO
G40142	3	32	BUD5531	SLIDING PIN	PATIN	PATTINO
G40142	4	32	BWI1119	GREASER	GRAISSEUR	INGRASSATORE
G40142	5	32	BHM0105	JACK	VÉRIN	MARTINETTO
G40142	6	32	POL7001	BUSHING	DOUILLE	BOCCOLA
G40142	7	32	BWN3010	SPRING	RESSORT	MOLLA
G40142	8	32	BAM1108	RING NUT	ECROU	GHIERA
G40142	9	32	BWN3000	SPRING	RESSORT	MOLLA
G40142	10	32	BAG4173	NUT	ECROU	DADO
G40142	11	32	BRI5059/CL	PIN	AXE	PERNO
G40142	12	32	PAS8003/CL	BUSHING	DOUILLE	BOCCOLA
G40142	13	32	BWS2437	SPRING PIN	BROCHE ELASTIQUE	SPINA ELASTICA
G40142	14	32	BCV8066/OG	COUNTERPLATE WITH SIDE SHIFT	TABLIER À DÉPLACEMENT LATÉRAL	CONTROPIASTRA TRASLANTE
G40142	15	32	BHE1368	VALVE	SOUPAPE	VALVOLA
G40142	16	32	BHG4723	WASHER	RONDELLE	RONDELLA
G40142	17	32	BHA0101	NIPPLE	NIPPLE	NIPPLE
G40142	18	32	BHA2257	FITTING	RACCORD	RACCORDO
G40142	19	32	BHA0104	NIPPLE	NIPPLE	NIPPLE
G40142	20	32	BHG4730	WASHER	RONDELLE	RONDELLA
G40142	21	32	BHA0860	RAPID COUPLING	CONNECTION RAPID	INNESTO RAPIDO
G40142	22	32	BKF5610	TUBE	TUYAU	TUBO
G40142	23	32	BLS4008/1CL	TUBE	TUYAU	TUBO IN FERRO
G40142	24	32	BLS2009/CL	TUBE	TUYAU	TUBO IN FERRO

Table	Item#	Pg.	Code	Part Description - English	Part Description - French	Part Description - Italian
G40142	1	32	BCV8168	BODY	CORPS	CORPO TRASLANTE
G40142	2	32	BCV8169	BODY	CORPS	CORPO FISSO
G40142	3	32	BUD5531	SLIDING PIN	PATIN	PATTINO
G40142	4	32	BWI1119	GREASER	GRAISSEUR	INGRASSATORE
G40142	5	32	BHM0105	JACK	VÉRIN	MARTINETTO
G40142	6	32	POL7001	BUSHING	DOUILLE	BOCCOLA
G40142	7	32	BWN3010	SPRING	RESSORT	MOLLA
G40142	8	32	BAM1108	RING NUT	ECROU	GHIERA
G40142	9	32	BWN3000	SPRING	RESSORT	MOLLA
G40142	10	32	BAG4173	NUT	ECROU	DADO
G40142	11	32	BRI5059/CL	PIN	AXE	PERNO
G40142	12	32	PAS8003/CL	BUSHING	DOUILLE	BOCCOLA
G40142	13	32	BWS2437	SPRING PIN	BROCHE ELASTIQUE	SPINA ELASTICA
G40142	14	32	BCV8066/OG	COUNTERPLATE WITH SIDE SHIFT	TABLIER À DÉPLACEMENT LATÉRAL	CONTROPIASTRA TRASLANTE
G40142	15	32	BHE1368	VALVE	SOUPAPE	VALVOLA
G40142	16	32	BHG4723	WASHER	RONDELLE	RONDELLA
G40142	17	32	BHA0101	NIPPLE	NIPPLE	NIPPLE
G40142	18	32	BHA2257	FITTING	RACCORD	RACCORDO
G40142	19	32	BHA0104	NIPPLE	NIPPLE	NIPPLE
G40142	20	32	BHG4730	WASHER	RONDELLE	RONDELLA
G40142	21	32	BHA0860	RAPID COUPLING	CONNECTION RAPID	INNESTO RAPIDO
G40142	22	32	BKF5610	TUBE	TUYAU	TUBO
G40142	23	32	BLS4008/1CL	TUBE	TUYAU	TUBO IN FERRO
G40142	24	32	BLS2009/CL	TUBE	TUYAU	TUBO IN FERRO





ALLESTIMENTO (OPZIONE)  
 EQUIPMENT (OPTION)  
 ÉQUIPAMENT (OPTION)  
 EQUIPAMIENTO (OPCIÓN)  
 AUSRÜSTUNG (OPTION)



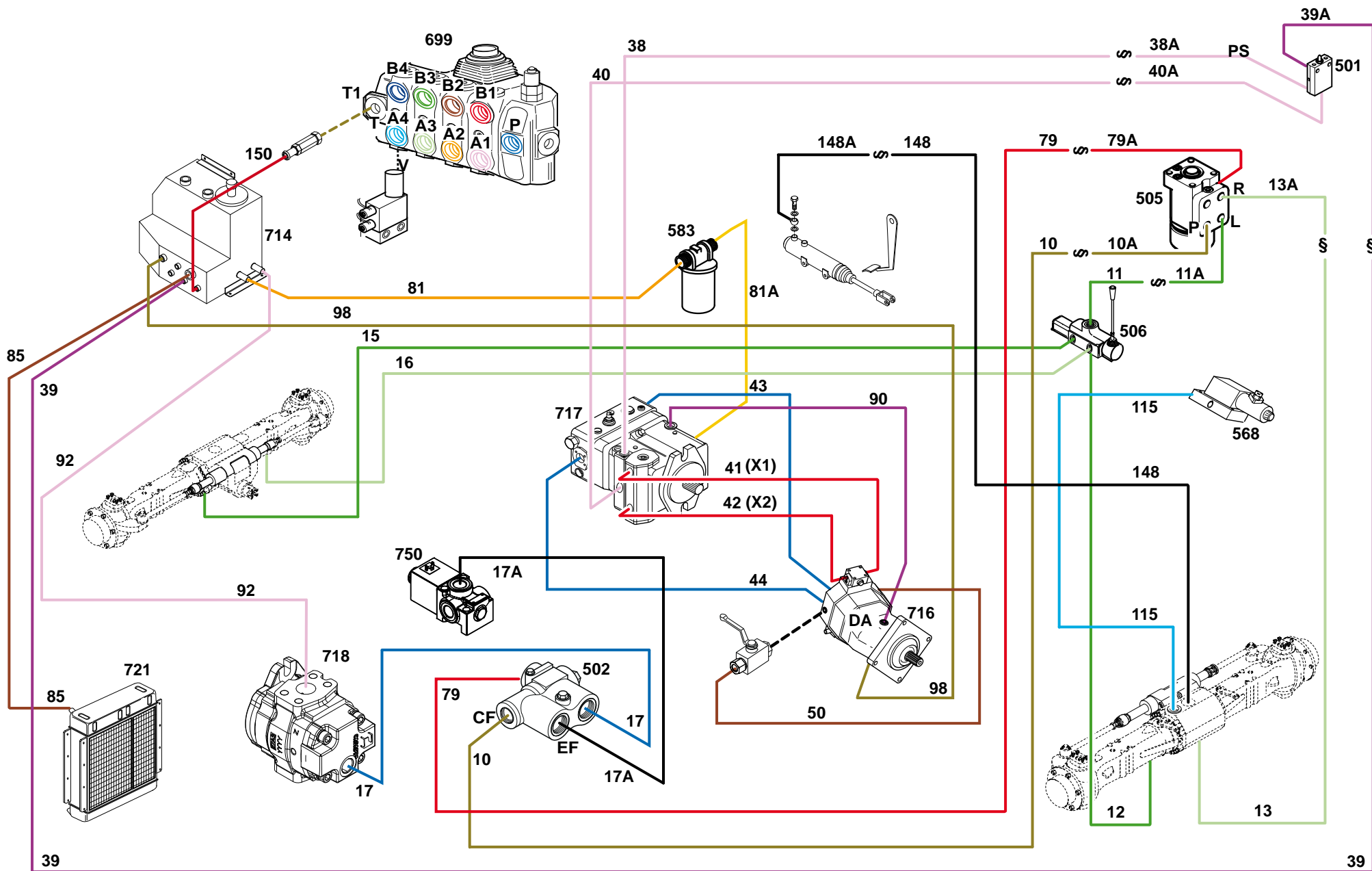
NUMERO TAVOLA TABLE NUMBER <b>G40143</b>	VERSIONE VERSION <b>00</b> 10/03/11	CODICE MACCHINA MACHINE CODE <b>APOLLO</b> Matr. 1900		DESCRIZIONE:	COPPIA FORCHE FLOTTANTI PAIR OF FLOATING FORKS COUPLE DE FOURCHES FLOTTANTES PAREJA HORQUILLAS FLOTANTES FEDERGABEL
--	--	--	---	--------------	---

Table	Item#	Pg.	Code	Part Description - English	Part Description - French	Part Description - Italian
G40143	1	33	BUD1062/1	FORK	FOURCHE	FORCA
G40143	2	33	BUD1051/0G	FORK EXTENSION	EXTENSION FOURCHE	PROLUNGA FORCHE
G40143	3	33	BUD1062	FORK	FOURCHE	COPPIA FORCHE



05

<b>NUMERO TAVOLA</b> TABLE NUMBER <b>G50000</b>	<b>VERSIONE</b> VERSION <b>00</b>	<b>CODICE MACCHINA</b> MACHINE CODE <b>APOLLO</b>	 <small>macchine edili ed agricole</small>	<b>DESCRIZIONE:</b> IMPIANTO IDRAULICO HYDRAULIC SYSTEM INSTALLATION HYDRAULIQUE CIRCUITO HIDRAULICO HYDRAULIKANLAGE
---	---	---	--	---



NUMERO TAVOLA  
TABLE NUMBER  
**G50111\_01**

VERSIONE  
VERSION  
**00**  
01/11/09

CODICE MACCHINA  
MACHINE CODE  
**APOLLO**  
Matr. 1900

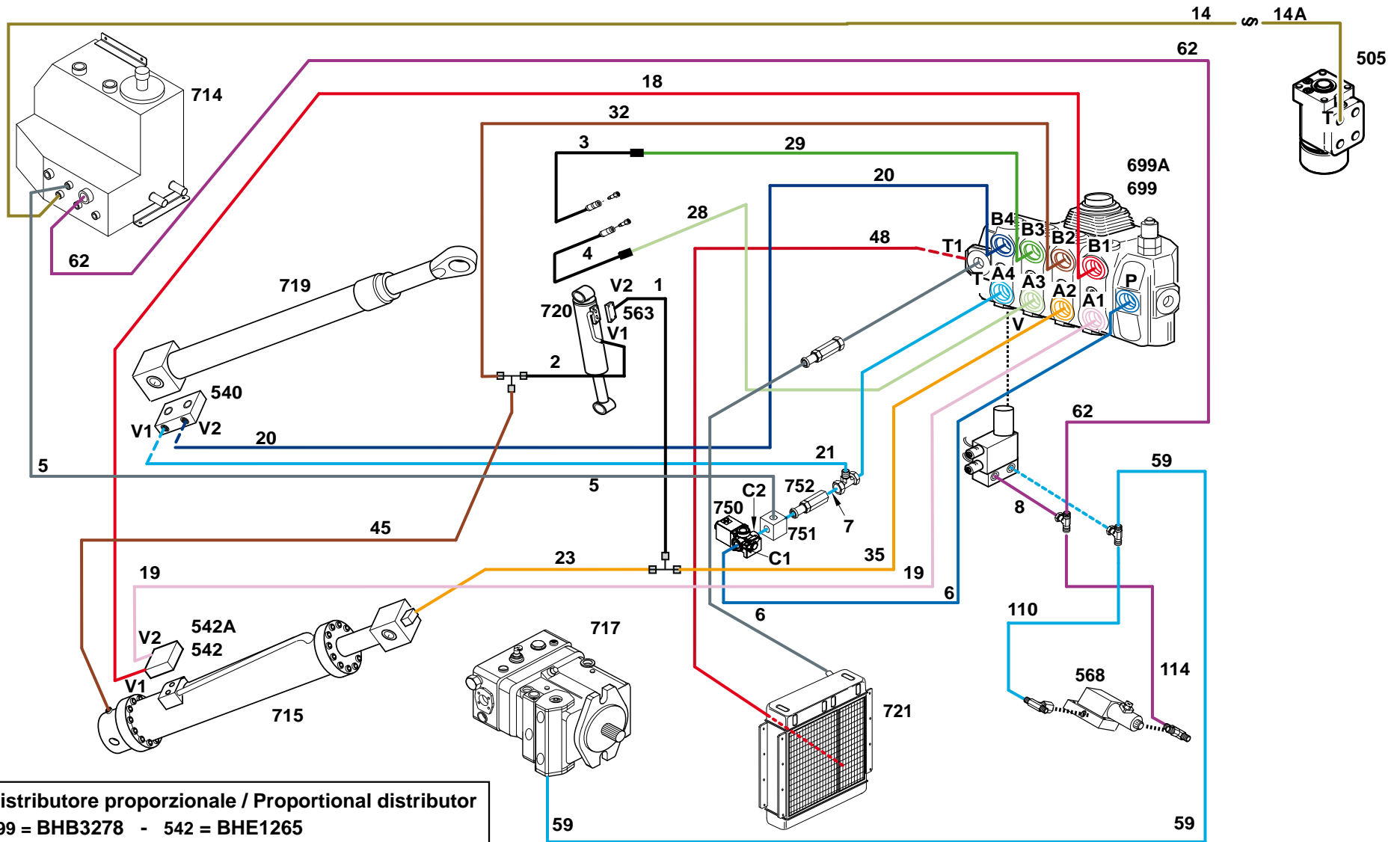


DESCRIZIONE:

IMPIANTO IDRAULICO  
HYDRAULIC SYSTEM  
INSTALLATION HYDRAULIQUE  
CIRCUITO HIDRAULICO  
HYDRAULIKANLAGE

Table	Item#	Pg.	Code	Part Description - English	Part Description - French	Part Description - Italian
G50111_01	10	35	BKF4690	FLEXIBLE PIPE	TUBO FLEXIBLE	TUBO FLESSIBILE
G50111_01	11	35	BKL0610	FLEXIBLE PIPE	TUBO FLEXIBLE	TUBO FLESSIBILE
G50111_01	12	35	BKL2750	FLEXIBLE PIPE	TUBO FLEXIBLE	TUBO FLESSIBILE
G50111_01	13	35	BKL0610	FLEXIBLE PIPE	TUBO FLEXIBLE	TUBO FLESSIBILE
G50111_01	15	35	BKK8615	FLEXIBLE PIPE	TUBO FLEXIBLE	TUBO FLESSIBILE
G50111_01	16	35	BKK8590R	FLEXIBLE PIPE	TUBO FLEXIBLE	TUBO FLESSIBILE
G50111_01	17	35	YRR5110	FLEXIBLE PIPE	TUBO FLEXIBLE	TUBO FLESSIBILE
G50111_01	38	35	BKF4191	FLEXIBLE PIPE	TUBO FLEXIBLE	TUBO FLESSIBILE
G50111_01	39	35	BKF4200	FLEXIBLE PIPE	TUBO FLEXIBLE	TUBO FLESSIBILE
G50111_01	40	35	BKF4191	FLEXIBLE PIPE	TUBO FLEXIBLE	TUBO FLESSIBILE
G50111_01	41	35	BKG7221	FLEXIBLE PIPE	TUBO FLEXIBLE	TUBO FLESSIBILE
G50111_01	42	35	BKG7221	FLEXIBLE PIPE	TUBO FLEXIBLE	TUBO FLESSIBILE
G50111_01	43	35	BLN0135	FLEXIBLE PIPE	TUBO FLEXIBLE	TUBO FLESSIBILE
G50111_01	44	35	BLJ5155	FLEXIBLE PIPE	TUBO FLEXIBLE	TUBO FLESSIBILE
G50111_01	50	35	BKT5070	FLEXIBLE PIPE	TUBO FLEXIBLE	TUBO FLESSIBILE
G50111_01	59	35	BKF5110	FLEXIBLE PIPE	TUBO FLEXIBLE	TUBO FLESSIBILE
G50111_01	79	35	BKU4650	FLEXIBLE PIPE	TUBO FLEXIBLE	TUBO FLESSIBILE
G50111_01	81	35	BKC8135	FLEXIBLE PIPE	TUBO FLEXIBLE	TUBO FLESSIBILE
G50111_01	85	35	BKC7145	FLEXIBLE PIPE	TUBO FLEXIBLE	TUBO FLESSIBILE
G50111_01	90	35	BKC6165	FLEXIBLE PIPE	TUBO FLEXIBLE	TUBO FLESSIBILE
G50111_01	92	35	BKC8180	FLEXIBLE PIPE	TUBO FLEXIBLE	TUBO FLESSIBILE
G50111_01	98	35	BKC6150	FLEXIBLE PIPE	TUBO FLEXIBLE	TUBO FLESSIBILE
G50111_01	115	35	BKF5120	FLEXIBLE PIPE	TUBO FLEXIBLE	TUBO FLESSIBILE
G50111_01	148	35	BKI5180	FLEXIBLE PIPE	TUBO FLEXIBLE	TUBO FLESSIBILE
G50111_01	149	35	BKC6135	FLEXIBLE PIPE	TUBO FLEXIBLE	TUBO FLESSIBILE
G50111_01	150	35	BKC6135	FLEXIBLE PIPE	TUBO FLEXIBLE	TUBO FLESSIBILE
G50111_01	501	35	BHE1226	FITTING	RACCORD	PEDIPOLOATORE
G50111_01	502	35	BHF2111	VALVE LOADSENSING	SOUPAPE LOADSENSING	VALVOLA LOADSENSING
G50111_01	505	35	BHF3136	HYDRAULIC STEERING	DIRECTION ASSISTEE	IDROGUIDA
G50111_01	506	35	BHB0125/D1	DISTRIBUTOR	DISTRIBUIDOR	DISTRIBUTORE
G50111_01	568	35	BHE1437	VALVE	SOUPAPE	VALVOLA FRENO NEGATIVO
G50111_01	583	35	BHC0114	OIL CARTRIDGE	CARTOUCHE HUILE	CARTUCCIA OLIO
G50111_01	699	35	BHB3275	DISTRIBUTOR	DISTRIBUIDOR	DISTRIBUTORE
G50111_01	714	35	BCF3219/OD	OIL TANK	RESERVOIR HUILE	SERBATOIO OLIO
G50111_01	716	35	BHN1300	HYDROSTATIC MOTOR	MOTEUR HYDROSTATIQUE	MOTORE IDROSTATICO
G50111_01	717	35	BHD0300	PUMP	POMPE	POMPA IDROSTATICA
G50111_01	718	35	BHD2238	PUMP	POMPE	POMPA
G50111_01	750	35	BHB3263	DISTRIBUTOR	DISTRIBUIDOR	DISTRIBUTORE
G50111_01	10A	35	BKW8590	FLEXIBLE PIPE	TUYAU FLEXIBLE	TUBO FLESSIBILE
G50111_01	11A	35	BKN4580	FLEXIBLE PIPE	TUYAU FLEXIBLE	TUBO FLESSIBILE
G50111_01	13A	35	BKN4580	FLEXIBLE PIPE	TUYAU FLEXIBLE	TUBO FLESSIBILE
G50111_01	17A	35	BLF8140/69	FLEXIBLE PIPE	TUYAU FLEXIBLE	TUBO FLESSIBILE
G50111_01	38A	35	BKH3080	FLEXIBLE PIPE	TUYAU FLEXIBLE	TUBO FLESSIBILE
G50111_01	39A	35	BKH3081	FLEXIBLE PIPE	TUYAU FLEXIBLE	TUBO FLESSIBILE
G50111_01	40A	35	BKH3080	FLEXIBLE PIPE	TUYAU FLEXIBLE	TUBO FLESSIBILE

Table	Item#	Pg.	Code	Part Description - English	Part Description - French	Part Description - Italian
G50111_01	79A	35	BKH5090	FLEXIBLE PIPE	TUYAU FLEXIBLE	TUBO FLESSIBILE
G50111_01	81A	35	BKC7060	FLEXIBLE PIPE	TUYAU FLEXIBLE	TUBO FLESSIBILE



NUMERO TAVOLA  
TABLE NUMBER  
**G50112\_01**

VERSIONE  
VERSION  
**00**  
01/09/09

CODICE MACCHINA  
MACHINE CODE  
**APOLLO**  
Matr. 1900

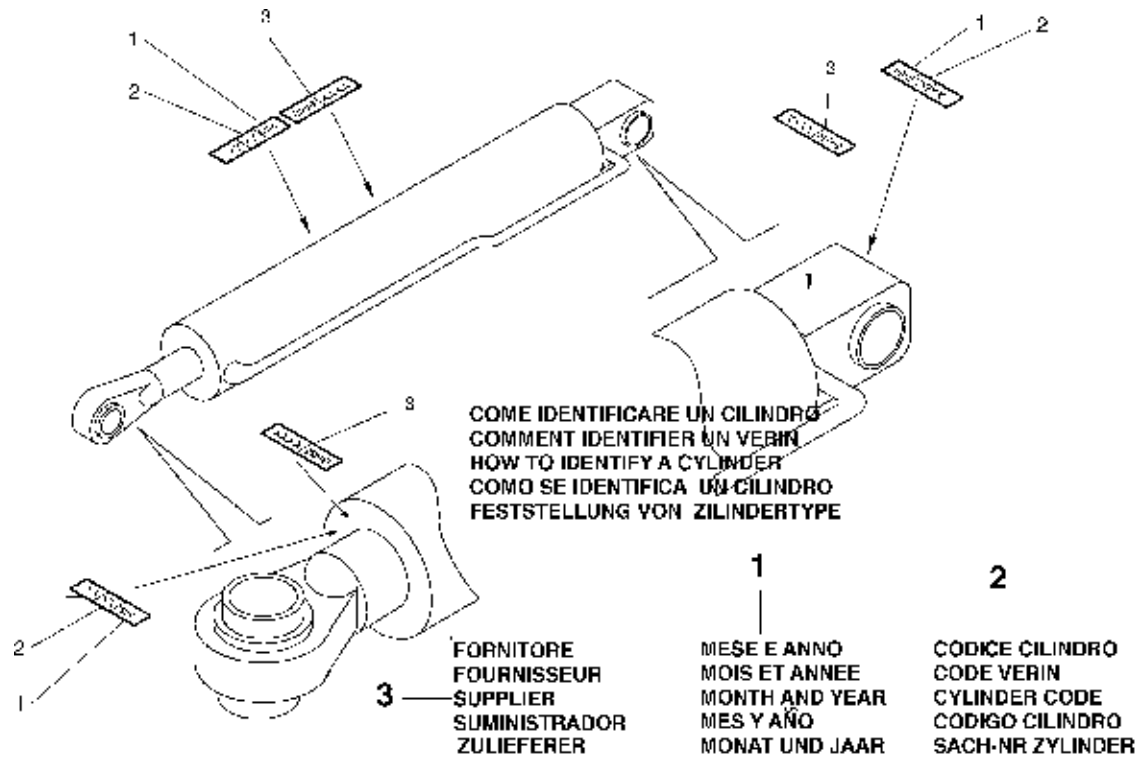


DESCRIZIONE:

IMPIANTO IDRAULICO (BRACCIO E DISTRIBUTORE IDRAULICO)  
HYDRAULIC SYSTEM (ARM AND DISTRIBUTOR)  
INSTALLATION HYDRAULIQUE (BRAS - DISTRIBUTEUR)  
CIRCUITO HIDRAULICO (BRAZO - DISTRIBUIDOR)  
HYDRAULIKANLAGE (MAST - LEITRAD)

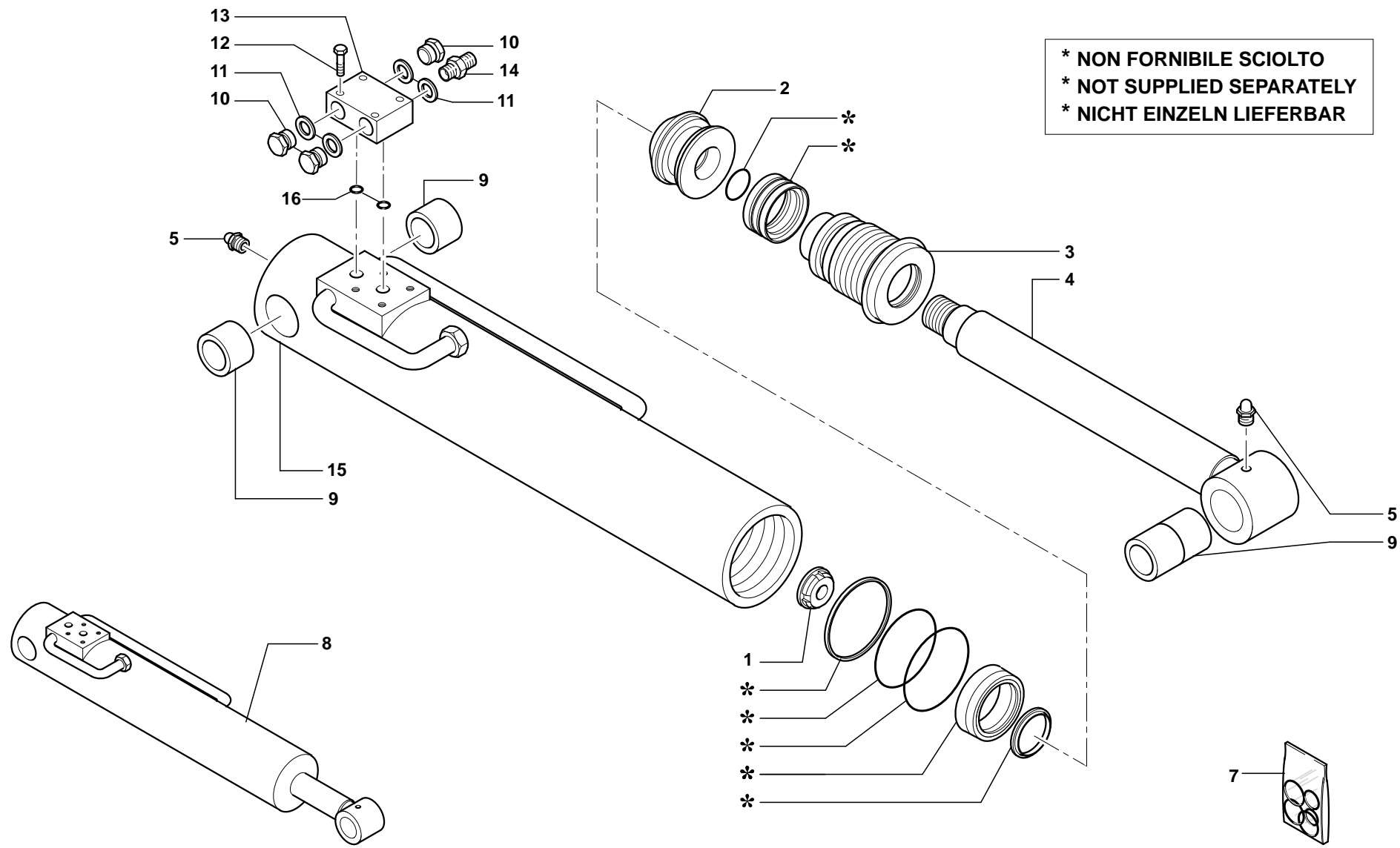
Table	Item#	Pg.	Code	Part Description - English	Part Description - French	Part Description - Italian
G50112_01	1	36	BKR7994	FLEXIBLE PIPE	TUYAU FLEXIBLE	TUBO FLESSIBILE
G50112_01	2	36	BKR7994	FLEXIBLE PIPE	TUYAU FLEXIBLE	TUBO FLESSIBILE
G50112_01	3	36	BKR7994	FLEXIBLE PIPE	TUYAU FLEXIBLE	TUBO FLESSIBILE
G50112_01	4	36	BKR7994	FLEXIBLE PIPE	TUYAU FLEXIBLE	TUBO FLESSIBILE
G50112_01	5	36	BKV4060	FLEXIBLE PIPE	TUYAU FLEXIBLE	TUBO FLESSIBILE
G50112_01	6	36	BLF9080	FLEXIBLE PIPE	TUYAU FLEXIBLE	TUBO FLESSIBILE
G50112_01	7	36	BKV4690	FLEXIBLE PIPE	TUYAU FLEXIBLE	TUBO FLESSIBILE
G50112_01	8	36	BKF4050	FLEXIBLE PIPE	TUYAU FLEXIBLE	TUBO FLESSIBILE
G50112_01	14	36	BKU4260	FLEXIBLE PIPE	TUYAU FLEXIBLE	TUBO FLESSIBILE
G50112_01	18	36	BLC6680R	FLEXIBLE PIPE	TUYAU FLEXIBLE	TUBO FLESSIBILE
G50112_01	19	36	BLC6670R	FLEXIBLE PIPE	TUYAU FLEXIBLE	TUBO FLESSIBILE
G50112_01	20	36	BLB8740	FLEXIBLE PIPE	TUYAU FLEXIBLE	TUBO FLESSIBILE
G50112_01	21	36	BLB8740	FLEXIBLE PIPE	TUYAU FLEXIBLE	TUBO FLESSIBILE
G50112_01	23	36	BKS5800	FLEXIBLE PIPE	TUYAU FLEXIBLE	TUBO FLESSIBILE
G50112_01	28	36	BKR7710	FLEXIBLE PIPE	TUYAU FLEXIBLE	TUBO FLESSIBILE
G50112_01	29	36	BKR7710	FLEXIBLE PIPE	TUYAU FLEXIBLE	TUBO FLESSIBILE
G50112_01	32	36	BKR7710	FLEXIBLE PIPE	TUYAU FLEXIBLE	TUBO FLESSIBILE
G50112_01	35	36	BKR7710	FLEXIBLE PIPE	TUYAU FLEXIBLE	TUBO FLESSIBILE
G50112_01	45	36	BKR7650	FLEXIBLE PIPE	TUYAU FLEXIBLE	TUBO FLESSIBILE
G50112_01	48	36	BKC7145	FLEXIBLE PIPE	TUYAU FLEXIBLE	TUBO FLESSIBILE
G50112_01	59	36	BKF5110	FLEXIBLE PIPE	TUYAU FLEXIBLE	TUBO FLESSIBILE
G50112_01	62	36	BKF4180	FLEXIBLE PIPE	TUYAU FLEXIBLE	TUBO FLESSIBILE
G50112_01	110	36	BKF5115	FLEXIBLE PIPE	TUYAU FLEXIBLE	TUBO FLESSIBILE
G50112_01	114	36	BKF4100	FLEXIBLE PIPE	TUYAU FLEXIBLE	TUBO FLESSIBILE
G50112_01	505	36	BHF3136	HYDRAULIC STEERING	DIRECTION ASSISTEE	IDROGUIDA
G50112_01	540	36	BHE1268	VALVE	SOUPAPE	VALVOLA
G50112_01	542	36	BHE1265	VALVE	SOUPAPE	VALVOLA
G50112_01	563	36	BHE1247	VALVE	SOUPAPE	VALVOLA
G50112_01	568	36	BHE1437	VALVE	VALVULA	VALVOLA FRENO NEGATIVO
G50112_01	699	36	BHB3278	DISTRIBUTOR	DISTRIBUIDOR	DISTRIBUTORE
G50112_01	714	36	BCF3219/0D	OIL TANK	RESERVOIR HUILE	SERBATOIO OLIO
G50112_01	715	36	BHM2617/0D	CYLINDER	VERIN	CILINDRO SOLLEVAMENTO
G50112_01	717	36	BHD0300	PUMP	POMPE	POMPA IDROSTATICA
G50112_01	719	36	BHM1808	CYLINDER	VERIN	CILINDRO SFILO INTERNO
G50112_01	720	36	BHM2722	CYLINDER	VERIN	CILINDRO BRANDEGGIO
G50112_01	721	36	BVK0237	RADIATOR	RADIATEUR	RADIATORE 'OLIO/ACQUA'
G50112_01	750	36	BHB3263	DISTRIBUTOR	DISTRIBUIDOR	DISTRIBUTORE
G50112_01	751	36	BHE1306	VALVE	SOUPAPE	VALVOLA
G50112_01	752	36	BHE1139	VALVE	SOUPAPE	VALVOLA
G50112_01	14A	36	BKW8580	FLEXIBLE PIPE	TUYAU FLEXIBLE	TUBO FLESSIBILE
G50112_01	542A	36	BHE1266	VALVE	SOUPAPE	VALVOLA
G50112_01	699A	36	BHB3279	DISTRIBUTOR	DISTRIBUIDOR	DISTRIBUTORE





# 06

NUMERO TAVOLA TABLE NUMBER <b>G60000</b>	VERSIONE VERSION <b>00</b>	CODICE MACCHINA MACHINE CODE <b>APOLLO</b>		DESCRIZIONE: CILINDRI CYLINDERS CYLINDRES CILINDROS ZYLINDER
--	----------------------------------	--	--	---



\* NON FORNIBILE SCIOLTO  
 \* NOT SUPPLIED SEPARATELY  
 \* NICHT EINZELN LIEFERBAR

BHM2722/LM


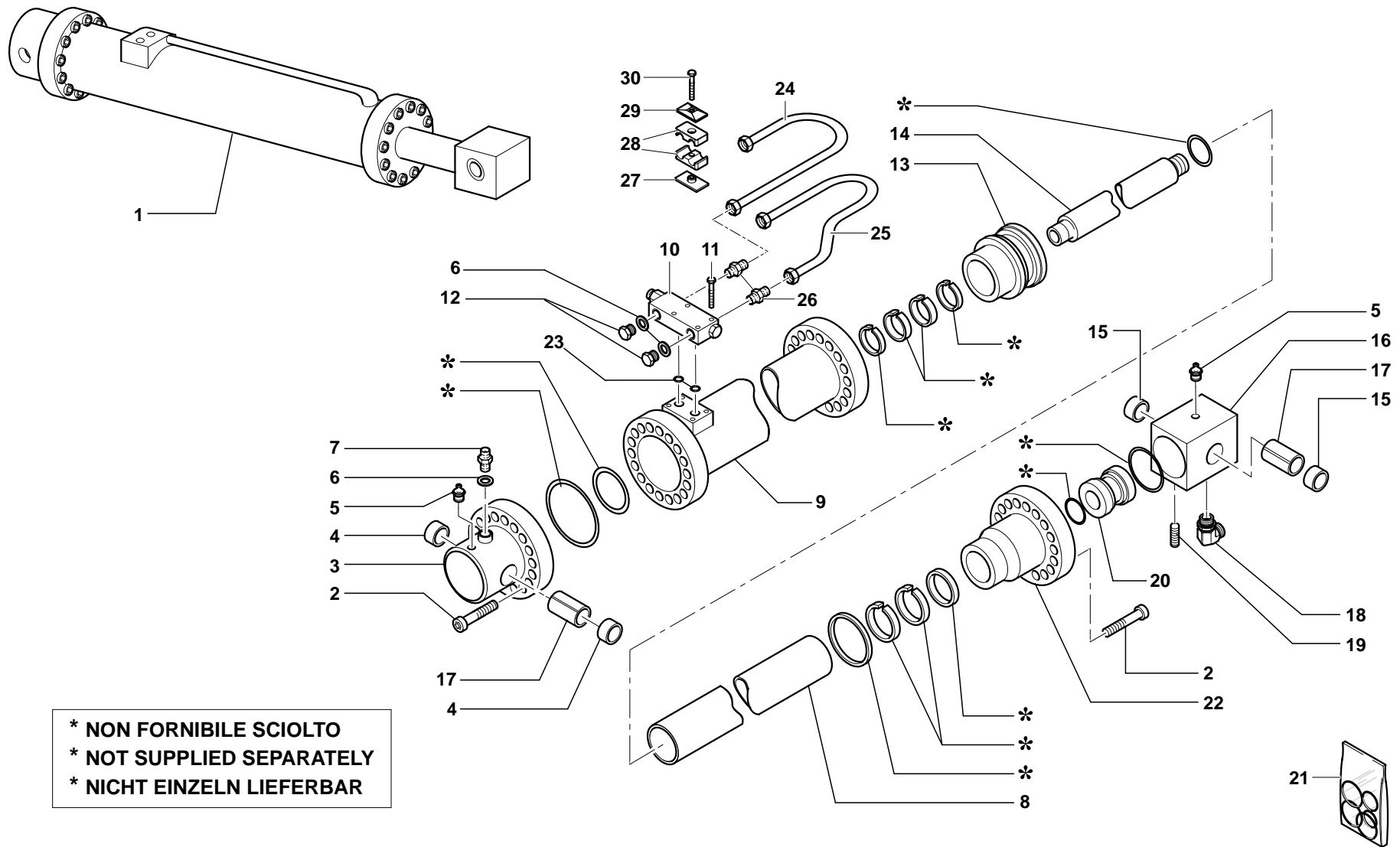
NUMERO TAVOLA TABLE NUMBER <b>G60082</b>	VERSIONE VERSION <b>00</b> 01/10/08	CODICE MACCHINA MACHINE CODE <b>APOLLO</b> Matr. 1900		DESCRIZIONE:	CILINDRO BRANDEGGIO TILT CYLINDER CYLINDER CILINDRE POINT AGE CILINDRO OSCILACION KIPPZYLINDER
--	--	--	---	--------------	--

Table	Item#	Pg.	Code	Part Description - English	Part Description - French	Part Description - Italian
G60082	1	38	BAM1109	RING NUT	ECROU	GHIERA
G60082	2	38	BHR2238/LM	PISTON	PISTON	PISTONE
G60082	3	38	BHR5266/LM	CYLINDER HEAD	TETE	TESTATA
G60082	4	38	BHR1337/LM	STEM	TIGE	STELO
G60082	5	38	BWI1119	GREASER	GRAISSEUR	INGRASSATORE
G60082	7	38	BHR3253/LM	GASKET KIT	KIT DE JOINTS	KIT GUARNIZIONI
G60082	8	38	BHM2722	CYLINDER	VERIN	CILINDRO BRANDEGGIO
G60082	9	38	BHR7066	BUSHING	COUSSINET	BRONZINA
G60082	10	38	BHA0635	PLUG	BOUCHON	TAPPO
G60082	11	38	BHG4730	WASHER	RONDELLE	RONDELLA
G60082	12	38	BAA7253	SCREW	VIS	VITE
G60082	13	38	BHE1247	VALVE	SOUPAPE	VALVOLA
G60082	14	38	BHA0128	NIPPLE	NIPPLE	NIPPLE
G60082	15	38	BHR0352/LM	CYLINDER	CYLINDRE	CAMICIA CILINDRO
G60082	16	38	BVG2339	OR RING	JOINT OR	ANELLO OR



\* NON FORNIBILE SCIOLTO  
 \* NOT SUPPLIED SEPARATELY  
 \* NICHT EINZELN LIEFERBAR

BHM2617/C


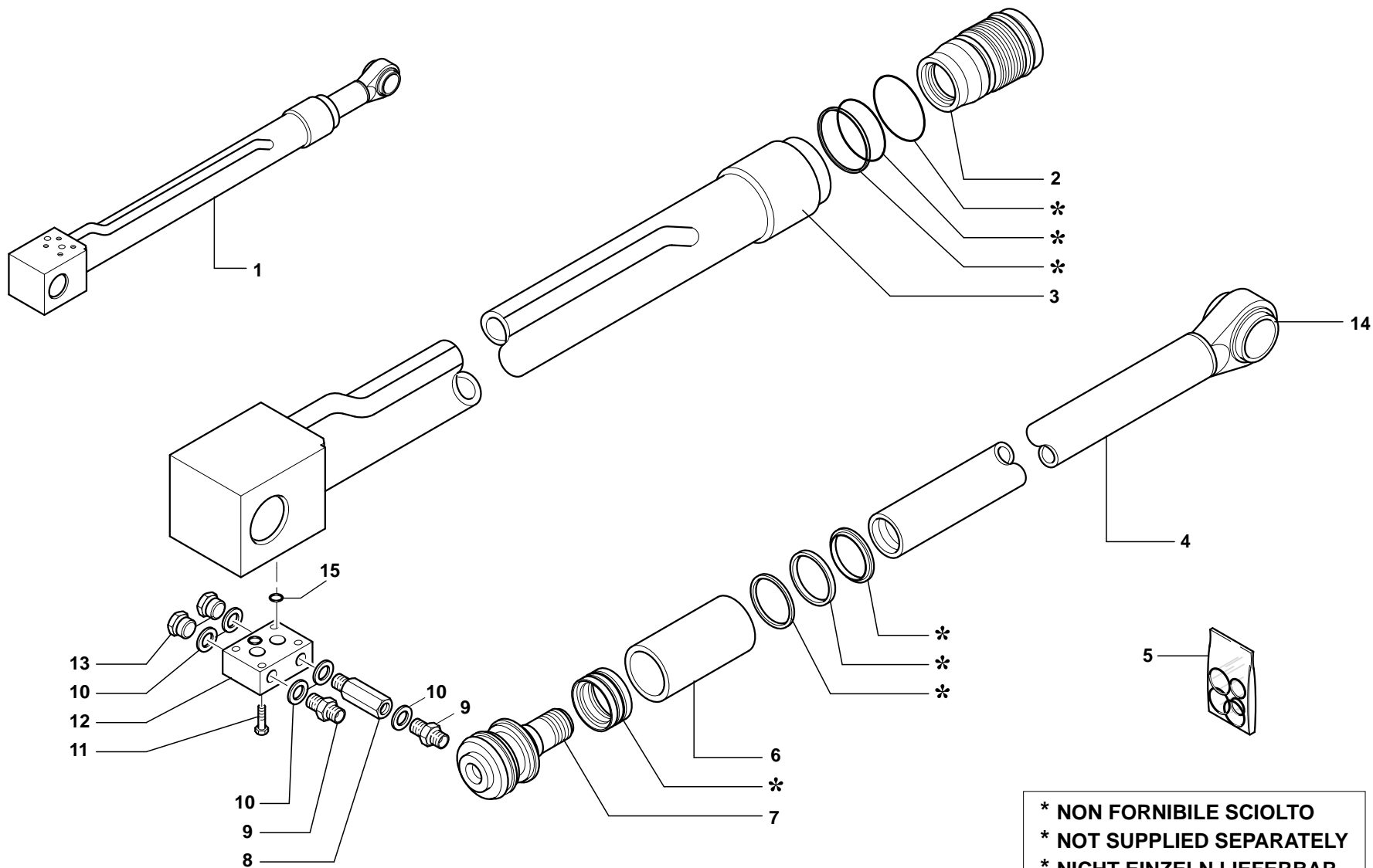
NUMERO TAVOLA TABLE NUMBER <b>G60022</b>	VERSIONE VERSION <b>00</b> 01/10/08	CODICE MACCHINA MACHINE CODE <b>APOLLO</b> Matr. 1900		DESCRIZIONE:	CILINDRO SOLLEVAMENTO LIFT CYLINDER CYLINDRE SOULEVEMENT CILINDRO DE ELEVACION HUBZYLINDER
--	--	--	---	--------------	--

Table	Item#	Pg.	Code	Part Description - English	Part Description - French	Part Description - Italian
G60022	1	39	BHM2617/0D	CYLINDER	VERIN	CILINDRO SOLLEVAMENTO
G60022	2	39	BAB1258	SCREW	VIS	VITE
G60022	3	39	BHR5211	CYLINDER HEAD	TETE	TESTATA
G60022	4	39	BHR7042	THRUST BUSHING	DOUILLE	BRONZINA POST.
G60022	5	39	BW11119	GREASER	GRAISSEUR	INGRASSATORE
G60022	6	39	BHG4730	WASHER	RONDELLE	RONDELLA
G60022	7	39	BHA0128	NIPPLE	NIPPLE	NIPPLE
G60022	8	39	BHR1301/C	STEM	TIGE	STELO
G60022	9	39	BHR0319/C	COVER	CHEMISE	CAMICIA
G60022	10	39	BHE1265	VALVE	SOUPAPE	VALVOLA
G60022	11	39	BAA7258	SCREW	VIS	VITE
G60022	12	39	BHA0635	PLUG	BOUCHON	TAPPO
G60022	13	39	BHR2218/C	PISTON	PISTON	PISTONE
G60022	14	39	BHR1300/C	STEM	TIGE	STELO
G60022	15	39	BHR7044	BEARING	COUSSINET	BRONZINA
G60022	16	39	BHR4509/C	ROD CONNECTION	ACCROCHAGE TIGE	ATTACCO STELO
G60022	17	39	BHR7348/C	SPACER	ENTRETOISE	DISTANZIALE
G60022	18	39	BHA3864/1	MANIFOLD	COUDE	RACCORDO CURVA
G60022	19	39	BAC1129	THREADED DOWEL	POINTEAU FILETE	GRANO FILETTATO
G60022	20	39	BHR2223/C	PISTON	PISTON	PISTONE
G60022	21	39	BHR3208/C	GASKET KIT	KIT DE JOINTS	KIT GUARNIZIONI
G60022	22	39	BHR5210/C	CYLINDER HEAD	TETE	TESTATA
G60022	23	39	BVG2339	OR RING	JOINT OR	ANELLO OR
G60022	24	39	BLT2047	TUBE	TUYAU	TUBO
G60022	25	39	BLT2051	TUBE	TUYAU	TUBO
G60022	26	39	BHA3212/116S.	NIPPLE	NIPPLE	NIPPLE
G60022	27	39	BWF1370	SAFETY PLATE	ARRETOIR	PIASTRINA INFERIORE
G60022	28	39	BWF1331	COLLAR	COLLIER	COLLARE
G60022	29	39	BWF1380	SAFETY PLATE	ARRETOIR	PIASTRINA SUPERIORE
G60022	30	39	BAA7206	SCREW	VIS	VITE



BHM1808/LM

\* NON FORNIBILE SCIOLTO  
 \* NOT SUPPLIED SEPARATELY  
 \* NICHT EINZELN LIEFERBAR


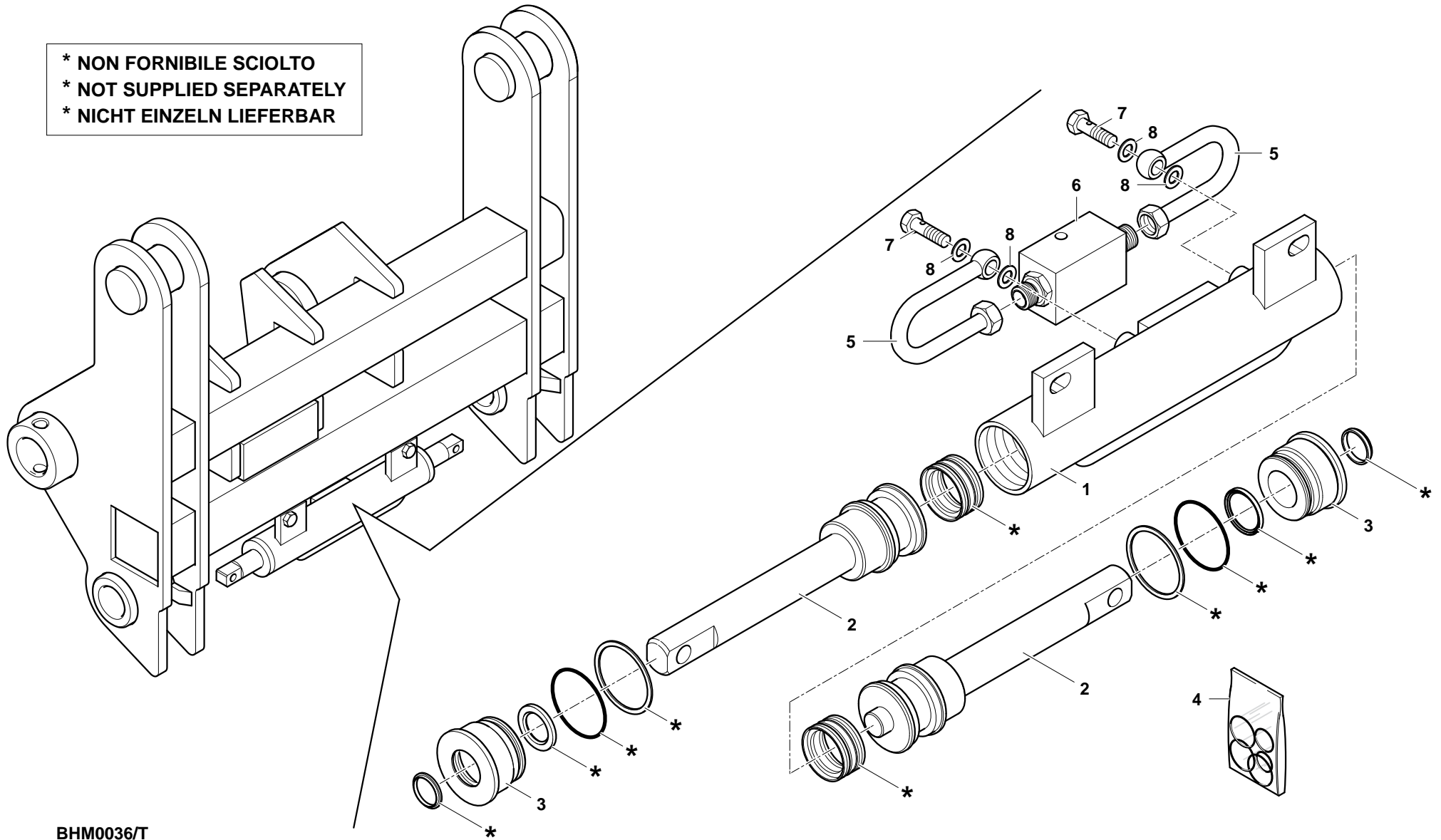
NUMERO TAVOLA TABLE NUMBER <b>G60083</b>	VERSIONE VERSION <b>00</b> 01/10/08	CODICE MACCHINA MACHINE CODE <b>APOLLO</b> Matr. 1900		DESCRIZIONE:	CILINDRO SFILLO INTERNO INTERIOR EXTENSION CYLINDER CYLINDRE EXTENSION INTERNE CILINDRO EXTENSION INTERNO INTERNER MAST-UND AUSGLEICHZYLINDER
--	--	--	---	--------------	---

Table	Item#	Pg.	Code	Part Description - English	Part Description - French	Part Description - Italian
G60083	1	40	BHM1808	CYLINDER	VERIN	CILINDRO SFILO INTERNO
G60083	2	40	BHR5264/LM	CYLINDER HEAD	TETE	TESTATA
G60083	3	40	BHR0350/LM	COVER	CHEMISE	CAMICIA
G60083	4	40	BHR1335/LM	STEM	TIGE	STELO
G60083	5	40	BHR3203/LM	SET OF GASKETS	KIT JOINTS	KIT GUARNIZIONI
G60083	6	40	BHR7349/LM	SPACER	ENTRETOISE	DISTANZIALE
G60083	7	40	BHR2263/LM	PISTON	PISTON	PISTONE
G60083	8	40	BHA0523	HOLLOW STUD	COLONNETTE	COLONNETTA
G60083	9	40	BHA0128	NIPPLE	NIPPLE	NIPPLE
G60083	10	40	BHG4730	WASHER	RONDELLE	RONDELLA
G60083	11	40	BAA7258	SCREW	VIS	VITE
G60083	12	40	BHE1268	VALVE	SOUPAPE	VALVOLA
G60083	13	40	BHA0635	PLUG	BOUCHON	TAPPO
G60083	14	40	BHR4131	PIVOT PIN	PIVOT DE ROTULE	SNODO
G60083	15	40	BVG2339	OR RING	JOINT OR	ANELLO OR

\* NON FORNIBILE SCIOLTO  
 \* NOT SUPPLIED SEPARATELY  
 \* NICHT EINZELN LIEFERBAR



BHM0036/T


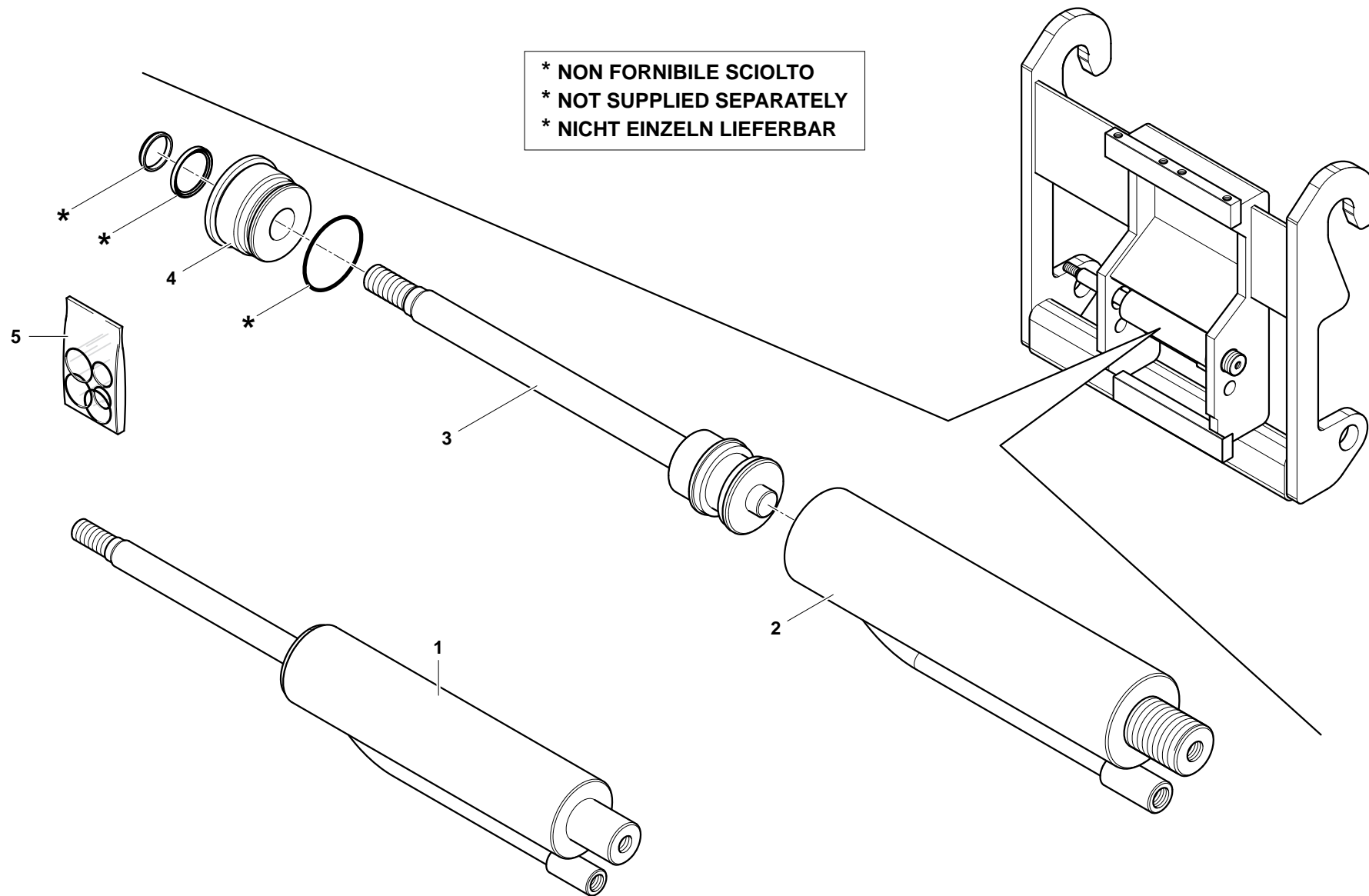
NUMERO TAVOLA TABLE NUMBER <b>G60133</b>	VERSIONE VERSION <b>00</b> 05/04/11	CODICE MACCHINA MACHINE CODE <b>APOLLO</b> Matr. 1900		DESCRIZIONE:	CILINDRO BLOCCO ATTREZZATURA EQUIPMENT CYLINDER BLOCK ÉQUIPEMENT BLOC-CYLINDRES EQUIPO DE BLOQUE DE CILINDROS EQUIPMENT ZYLINDERBLOCK
--	--	--	---	--------------	---



Table	Item#	Pg.	Code	Part Description - English	Part Description - French	Part Description - Italian
G60133	1	41	BHR0160/T	CYLINDER	CYLINDRE	CAMICIA CILINDRO
G60133	2	41	BHR1103/T	STEM	TIGE	STELO
G60133	3	41	BHR5105/T	CYLINDER HEAD	TETE	TESTATA
G60133	4	41	BHR3213/T	SET OF GASKETS	KIT JOINTS	KIT GUARNIZIONI
G60133	5	41	BHR6206	TUBE	TUYAU	TUBO
G60133	6	41	BHR4133	VALVE	SOUPAPE	VALVOLA
G60133	7	41	BHA0408	SCREW	VIS	VITE
G60133	8	41	BHG4723	WASHER	RONDELLE	RONDELLA



\* NON FORNIBILE SCIOLTO  
 \* NOT SUPPLIED SEPARATELY  
 \* NICHT EINZELN LIEFERBAR



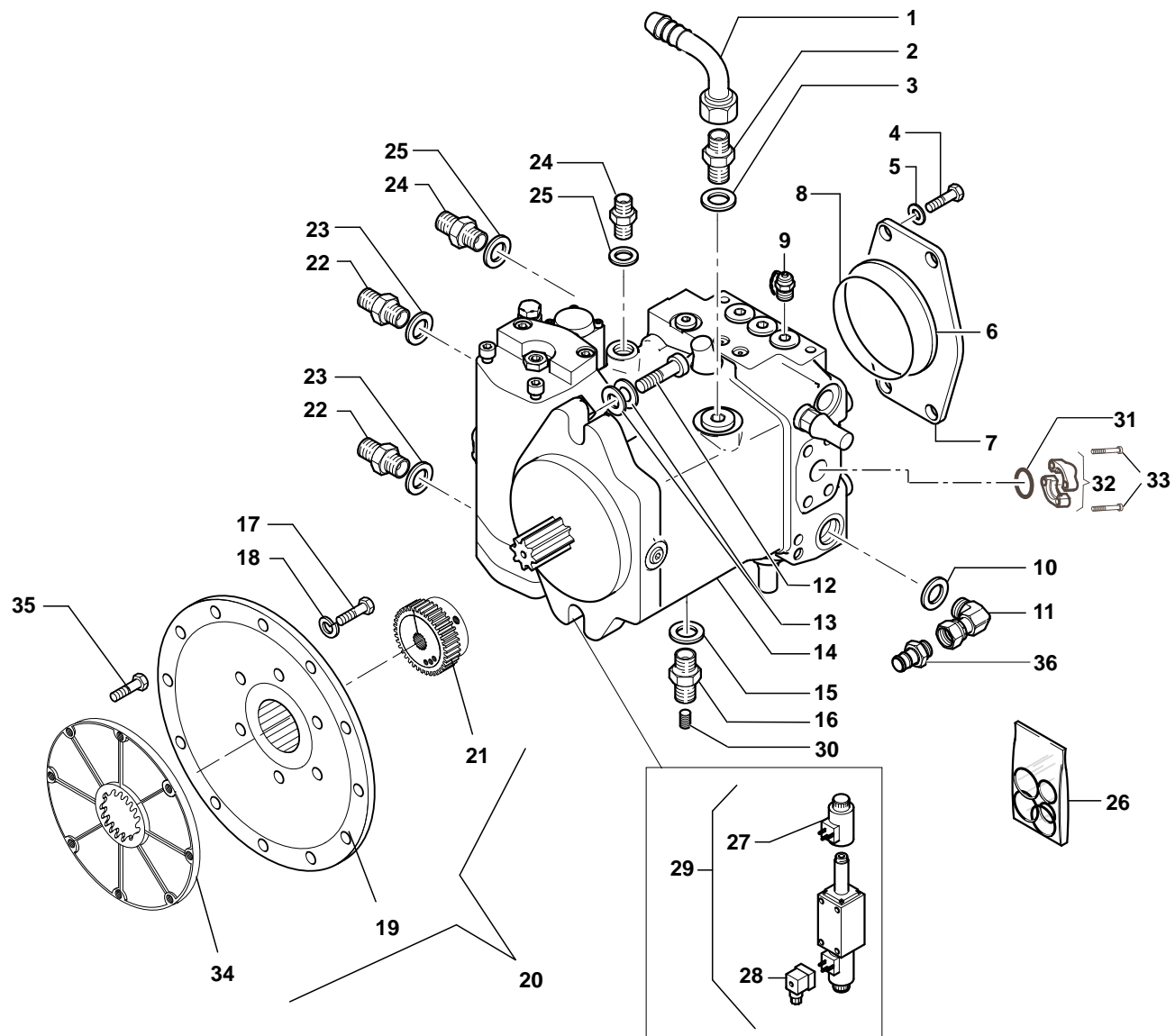
<b>NUMERO TAVOLA</b> <b>TABLE NUMBER</b> <b>G60134</b>	<b>VERSIONE</b> <b>VERSION</b> <b>00</b> <b>05/04/11</b>	<b>CODICE MACCHINA</b> <b>MACHINE CODE</b> <b>APOLLO</b> <b>Matr. 1900</b>		<b>DESCRIZIONE:</b>	<b>CILINDRO TRASLAZIONE</b> <b>TRAVERSE CYLINDER</b> <b>TRAVERSE CYLINDRE</b> <b>TRAVERSE CILINDRO</b> <b>TRAVERSE ZYLINDER</b>
--	---	---	---	---------------------	---

Table	Item#	Pg.	Code	Part Description - English	Part Description - French	Part Description - Italian
G60134	1	42	BHM0105/L	CYLINDER	CYLINDRE	CILINDRO
G60134	2	42	BHR0283/L	COVER	CHEMISE	CAMICIA
G60134	3	42	BHR1187/L	ROD	TIGE	STELO
G60134	4	42	BHR5222/L	CYLINDER HEAD	TETE	TESTATA
G60134	5	42	BHR3216/L	GASKET KIT	KIT DE JOINTS	KIT GUARNIZIONE



07

<b>NUMERO TAVOLA</b> TABLE NUMBER <b>G70000</b>	<b>VERSIONE</b> VERSION <b>00</b>	<b>CODICE MACCHINA</b> MACHINE CODE <b>APOLLO</b>	 <small>macchine edili ed agricole</small>	<b>DESCRIZIONE:</b>	<b>COMPONENTI IDROSTATICI</b> HYDROSTATIC COMPONENTS PARTIES HYDROSTATIQUES PIEZAS HIDROSTATICOS HYDROSTATISCHE MITGLIEDER
---	---	---	--	---------------------	--



NUMERO TAVOLA  
TABLE NUMBER  
**G70137**

VERSIONE  
VERSION  
**00**  
01/10/08

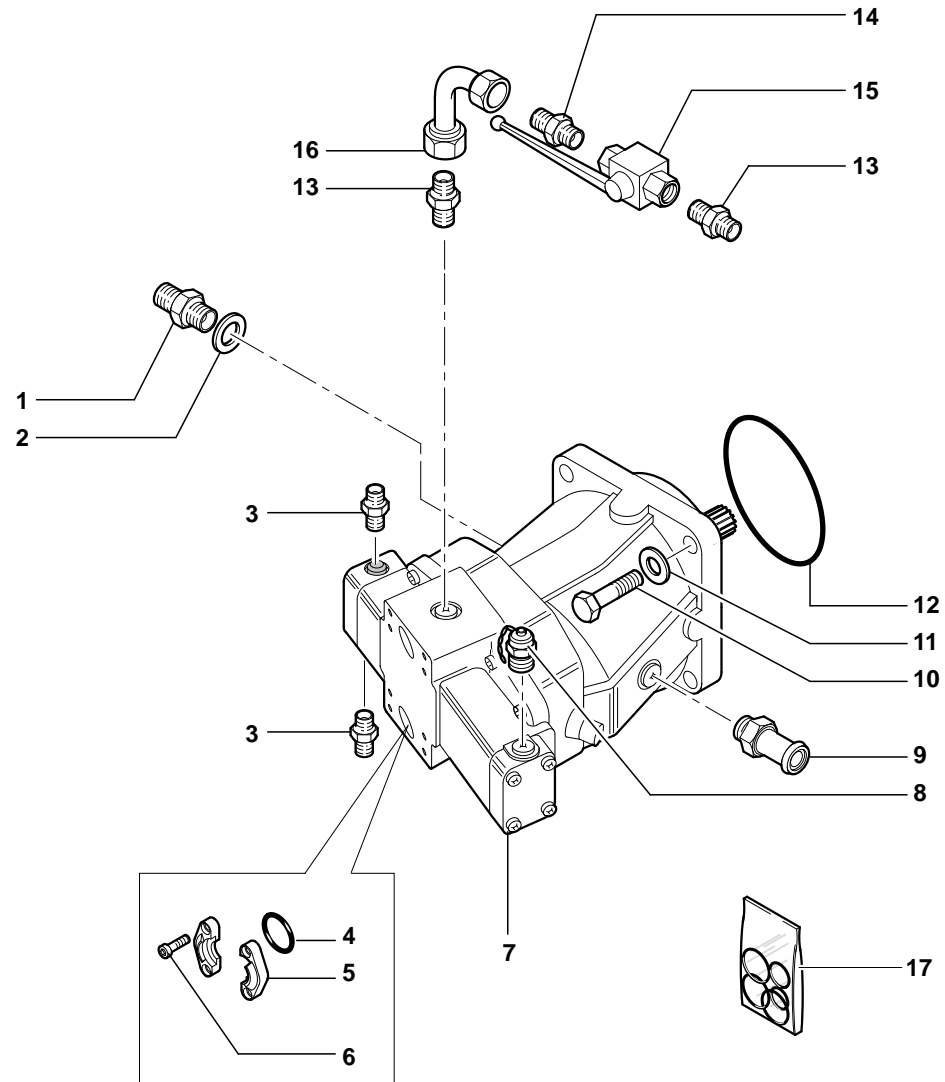
CODICE MACCHINA  
MACHINE CODE  
**APOLLO**  
Matr. 1900



DESCRIZIONE:

POMPA IDROSTATICA  
HYDROSTATIC PUMP  
POMPE HYDROSTATIQUE  
BOMBA HIDROSTATICA  
HYDROSTATIKPUMPE

Table	Item#	Pg.	Code	Part Description - English	Part Description - French	Part Description - Italian
G70137	1	44	BHA0291	FITTING	RACCORD	CURVA PORTAGOMMA
G70137	2	44	BHA0131	NIPPLE	NIPPLE	NIPPLE
G70137	3	44	BHG4732	WASHER	RONDELLE	RONDELLA
G70137	4	44	BAA7305	SCREW	VIS	VITE
G70137	5	44	BAL3250	WASHER	RONDELLE	RONDELLA
G70137	6	44	POE7001	PLUG	BOUCHON	TAPPO
G70137	7	44	#	IN CODING PHASE	EN CODIFICATION	IN FASE DI CODIFICA
G70137	8	44	BVG2611	OR RING	JOINT OR	ANELLO OR
G70137	9	44	BKA0051	GAUGE CONNECTION	ATELAGE MANOMETRE	ATTACCO PER MANOMETRO
G70137	10	44	BHG4733	WASHER	RONDELLE	RONDELLA
G70137	11	44	BHA1906	FITTING	RACCORD	RACCORDO GIREVOLE
G70137	12	44	BAB5407	SCREW	VIS	VITE
G70137	13	44	BAL5123	WASHER	RONDELLE	RONDELLA
G70137	14	44	BHD0300	PUMP	POMPE	POMPA IDROSTATICA
G70137	15	44	BHG4728/1	WASHER	RONDELLE	RONDELLA
G70137	16	44	BHA0103/1	NIPPLE	NIPPLE	NIPPLE
G70137	17	44	BAA7254	SCREW	VIS	VITE
G70137	18	44	BAL3248	WASHER	RONDELLE	RONDELLA
G70137	19	44	3T.264554413	FITTING	RACCORD	SEMIFLANGIA
G70137	20	44	BMP0031	YANMAR PREDISPOSITION	PREDISPOSITION YANMAR	PREDISPOSIZIONE YANMAR
G70137	21	44	3T.250381438	HUB	MOYEU	MOZZO
G70137	22	44	BHA0106	NIPPLE	NIPPLE	NIPPLE
G70137	23	44	BHG4721	WASHER	RONDELLE	RONDELLA
G70137	24	44	BHA0109	NIPPLE	NIPPLE	NIPPLE
G70137	25	44	BHG4720	WASHER	RONDELLE	RONDELLA
G70137	26	44	2R.601984	GASKET KIT	KIT DE JOINTS	KIT GUARNIZIONI
G70137	27	44	2R.601153	COIL KIT	BOBINE KIT	KIT SOLENOIDE
G70137	28	44	4H.551010001	CONNECTOR	TUBULURE	CONNETTORE
G70137	29	44	2R.02044986	SOLENOID VALVE	ELECTROVALVE	ELETTROVALVOLA
G70137	30	44	BHE1350	THREADED DOWEL	POINTEAU FILETE	GRANO
G70137	31	44	BVG2382	OR RING	JOINT OR	ANELLO-OR
G70137	32	44	BHA0974	FLANGE	BRIDE	FLANGIA
G70137	33	44	BAB5254	SCREW	VIS	VITE
G70137	34	44	3T.249381011	FLANGE	BRIDE	FLANGIA
G70137	35	44	BAA7255	SCREW	VIS	VITE
G70137	36	44	BHA0375	FITTING	RACCORD	NIPPLE PORTAGOMMA



NUMERO TAVOLA  
TABLE NUMBER  
**G70102**

VERSIONE  
VERSION  
**00**  
01/10/08

CODICE MACCHINA  
MACHINE CODE  
**APOLLO**  
Matr. 1900

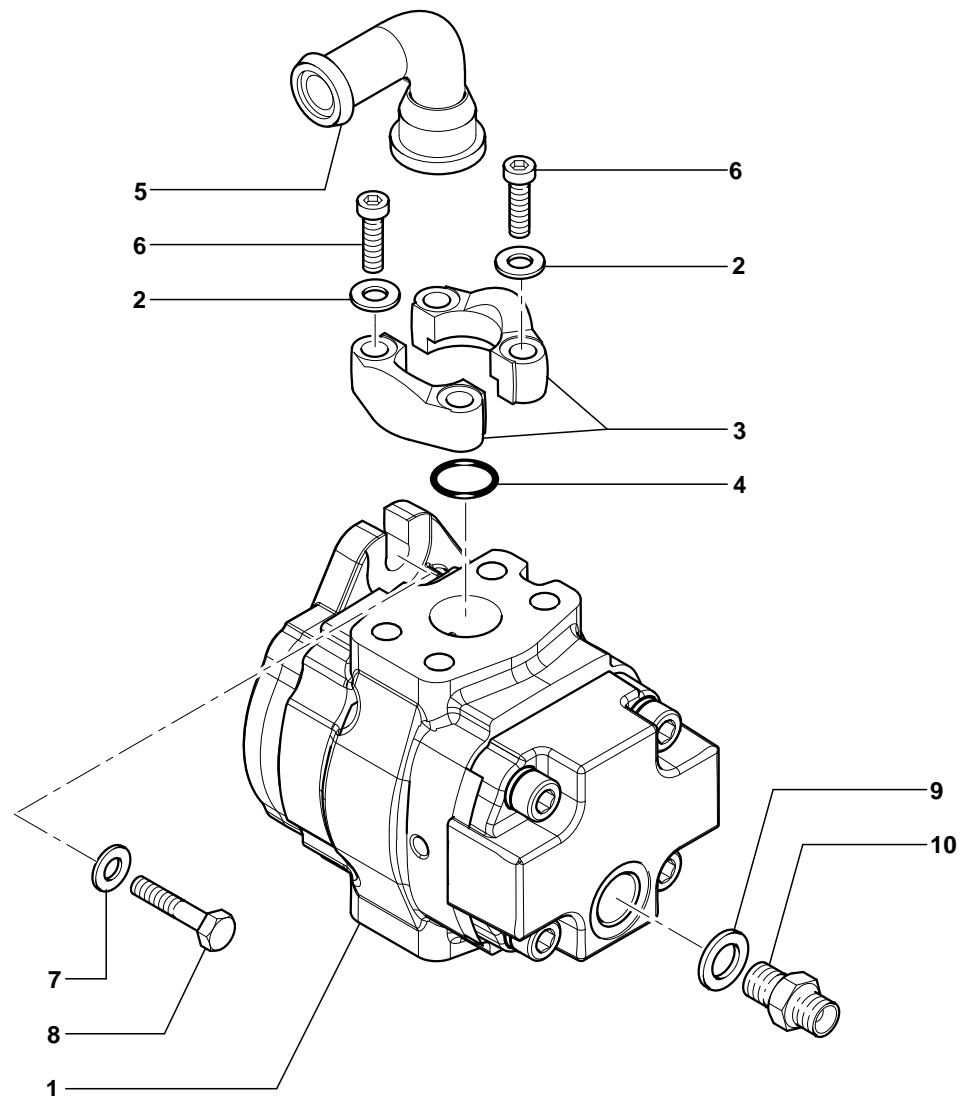


DESCRIZIONE:

MOTORE IDROSTATICO  
HYDROSTATIC ENGINE  
MOTEUR HYDROSTATIQUE  
MOTOR HIDROSTATICO  
HYDROSTATIKMOTOR

Table	Item#	Pg.	Code	Part Description - English	Part Description - French	Part Description - Italian
G70102	1	45	BHA0125	NIPPLE	NIPPLE	NIPPLE
G70102	2	45	BHG4728	WASHER	RONDELLE	RONDELLA
G70102	3	45	2R.409598	NIPPLE	NIPPLE	NIPPLE
G70102	4	45	BVG2388	OR RING	JOINT OR	ANELLO OR
G70102	5	45	BHA0975	FITTING	RACCORD	SEMIFLANGIA
G70102	6	45	BAB5306	SCREW	VIS	VITE
G70102	7	45	BHN1300	HYDROSTATIC MOTOR	MOTEUR HYDROSTATIQUE	MOTORE IDROSTATICO
G70102	8	45	BKA0052	NIPPLE	NIPPLE	NIPPLE
G70102	9	45	BHA0232	FITTING	RACCORD	PORTAGOMMA
G70102	10	45	BAB5408	SCREW	VIS	VITE
G70102	11	45	BAL2255	WASHER	RONDELLE	RONDELLA
G70102	12	45	5H.001051487	O - RING	JOINT OR	ANELLO OR
G70102	13	45	BHA3212/116S.	NIPPLE	NIPPLE	NIPPLE
G70102	14	45	BHA3717/112S	WASHER	RONDELLE	RONDELLA
G70102	15	45	BHE1221	VALVE	SOUPAPE	VALVOLA A SFERA
G70102	16	45	BHA3737/12S.	FITTING	RACCORD	RACCORDO GIREVOLE
G70102	17	45	2R.R902002300	GASKET KIT	KIT DE JOINTS	KIT GUARNIZIONI





NUMERO TAVOLA  
TABLE NUMBER  
**G70103\_02**

VERSIONE  
VERSION  
**00**

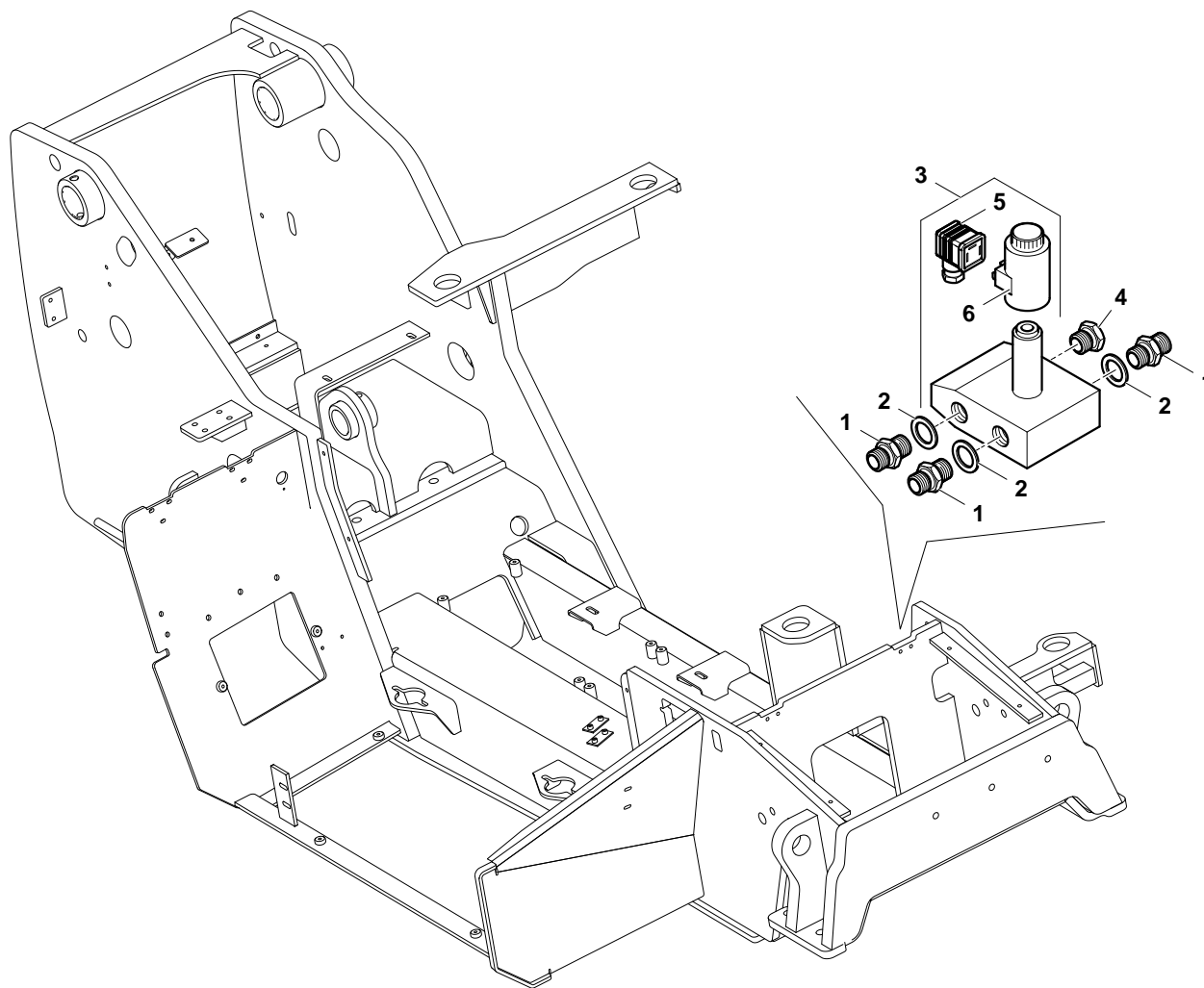
CODICE MACCHINA  
MACHINE CODE  
**APOLLO**  
Matr. 1900



DESCRIZIONE:

POMPE IDRAULICHE SUPPLEMENTARI  
SUPPLEMENTARY HYDRAULIC PUMPS  
POMPE HYDR. SUPPLEMENTAIRE  
BOMBAS HIDRAULICAS SUPLEMENTARES  
HYDROPUMPE

Table	Item#	Pg.	Code	Part Description - English	Part Description - French	Part Description - Italian
G70103_02	1	46	BHD2238	PUMP	POMPE	POMPA
G70103_02	2	46	BAL3248	WASHER (SCHNORR)	RONDELLE (SCHNORR)	RONDELLA (SCHNORR)
G70103_02	3	46	BHA0973	FITTING	RACCORD	SEMIFLANGIA
G70103_02	4	46	BVG2388	OR RING	JOINT OR	ANELLO-OR
G70103_02	5	46	BHA0963	FITTING	RACCORD	CURVA PORTAGOMMA
G70103_02	6	46	BAB5254	SCREW	VIS	VITE
G70103_02	7	46	BAL3248	WASHER	RONDELLE	RONDELLA
G70103_02	8	46	BAE4240	SCREW	VIS	VITE
G70103_02	9	46	BHG4730	WASHER	RONDELLE	RONDELLA
G70103_02	10	46	BHA0129	NIPPLE	NIPPLE	NIPPLE



NUMERO TAVOLA  
TABLE NUMBER

**G70099**

VERSIONE  
VERSION

**00**  
01/10/08

CODICE MACCHINA  
MACHINE CODE

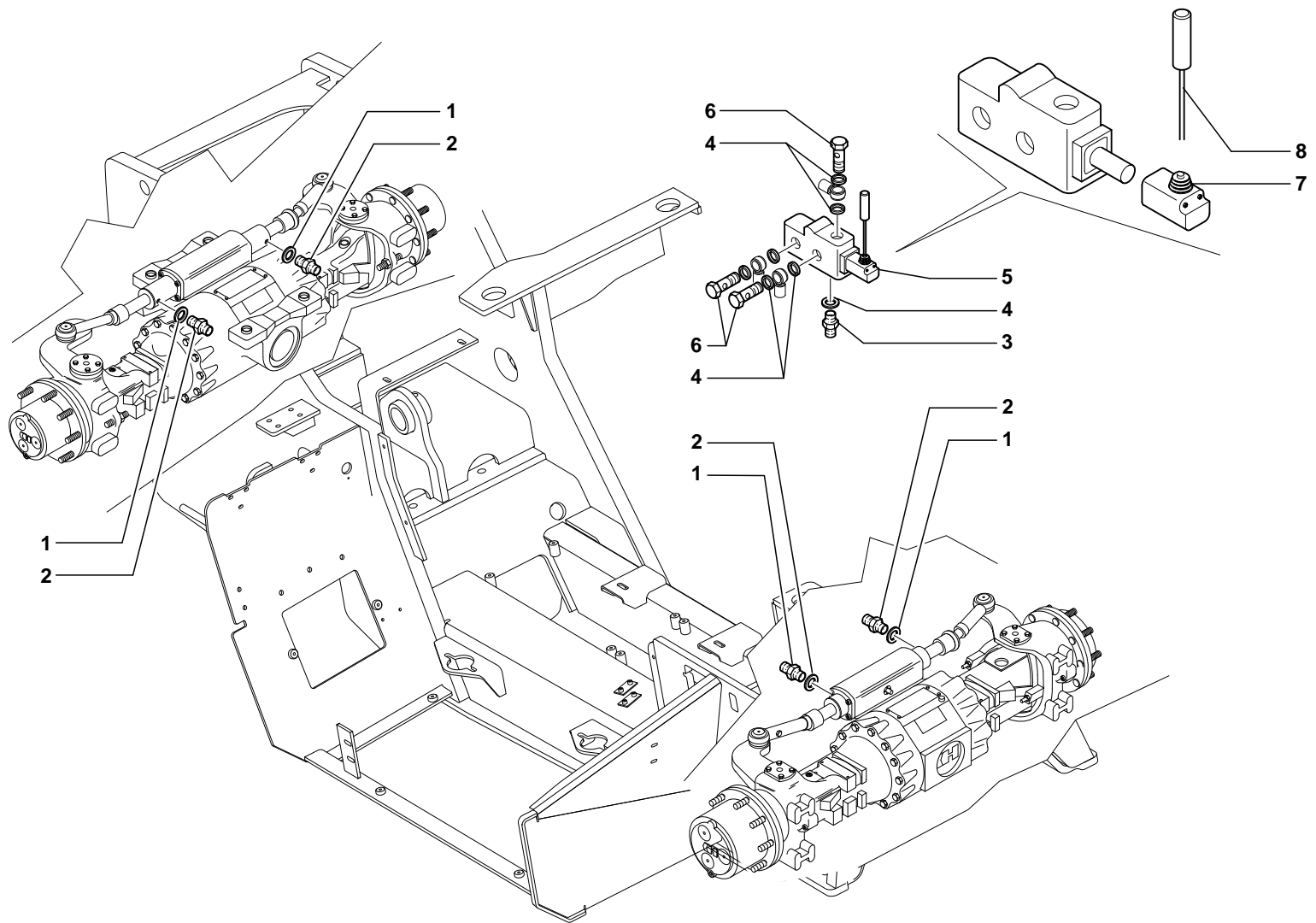
**APOLLO**  
Matr. 1900



DESCRIZIONE:

COMPONENTI IDRAULICI - FRENO E MARCE  
HYDRAULIC COMPONENTS - BRAKE AND GEAR  
ENS. COMPOSANTS HYDRAULIQUES - FREIN ET MARCHE  
COMPONENTES HIDRAULICOS - FRENO Y MARCHA  
HYDRAULISCHE KOMPONENTES - BREMSE UND GAGSCHANLAGE

Table	Item#	Pg.	Code	Part Description - English	Part Description - French	Part Description - Italian
G70099	1	47	BHA0102	NIPPLE	NIPPLE	NIPPLE
G70099	2	47	BHG4724	WASHER	RONDELLE	RONDELLA
G70099	3	47	BHE1437	VALVE	SOUPAPE	VALVOLA FRENO NEGATIVO
G70099	4	47	BHA4634	PLUG	BOUCHON	TAPPO
G70099	5	47	BHE1407/LC	CONNECTOR	TUBULURE	CONNETTORE
G70099	6	47	BHE1409/LC	COIL	BOBINE	BOBINA



NUMERO TAVOLA  
TABLE NUMBER  
**G70100**

VERSIONE  
VERSION  
**00**  
01/10/08

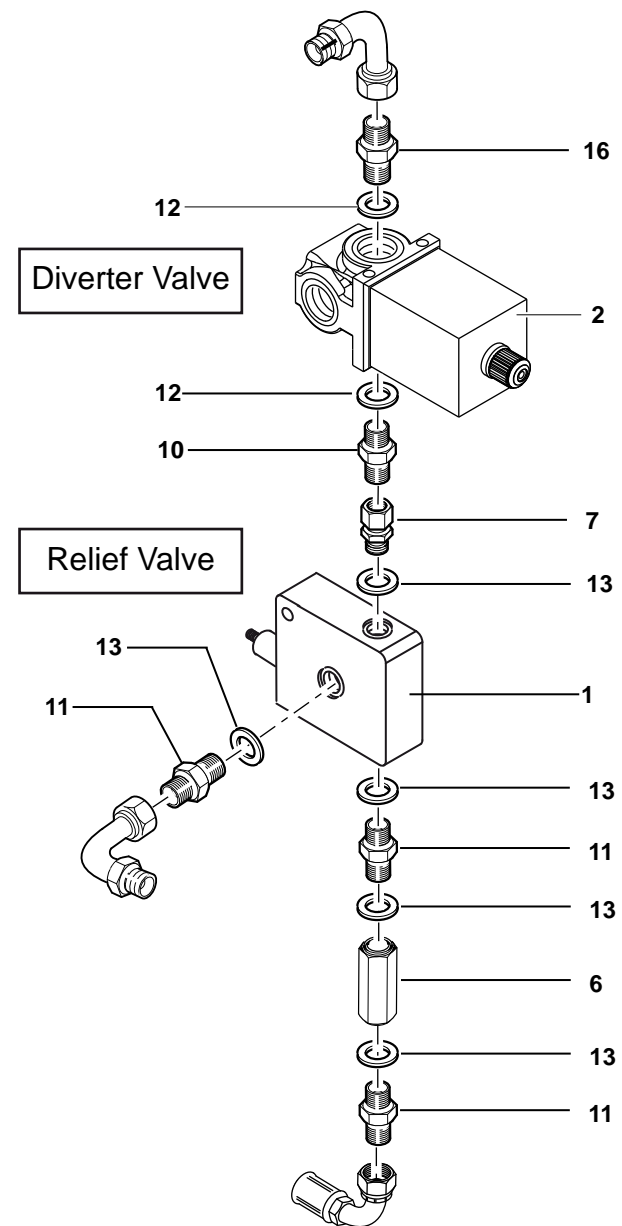
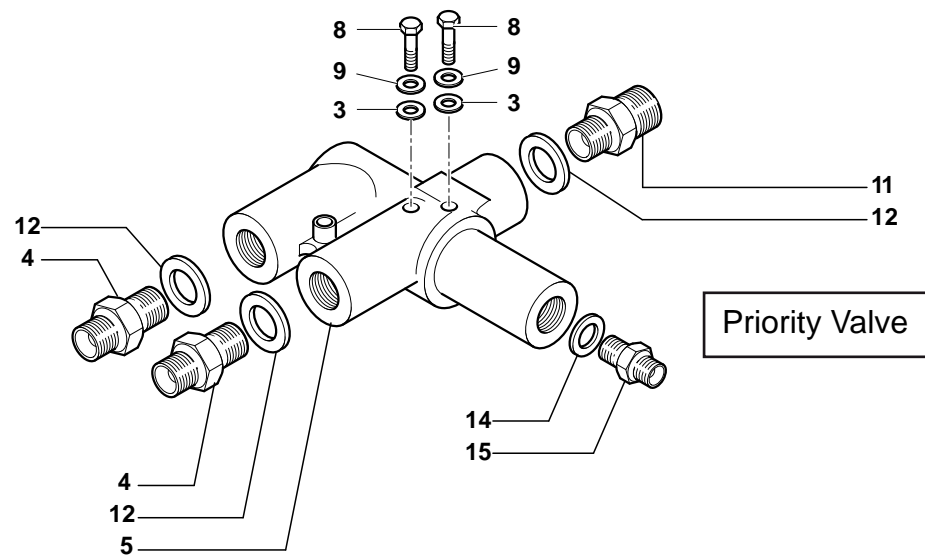
CODICE MACCHINA  
MACHINE CODE  
**APOLLO**  
Matr. 1900



DESCRIZIONE:

COMPONENTI IDRAULICI - STERZO  
HYDRAULIC COMPONENTS - STEERING  
ENS. COMPOSANTS HYDRAULIQUES - DIRECTION  
COMPONENTES HIDRAULICOS - MANEJO  
HYDRAULISCHE KOMPONENTEN - STEUERUNG

Table	Item#	Pg.	Code	Part Description - English	Part Description - French	Part Description - Italian
G70100	1	48	BHG4730	WASHER	RONDELLE	RONDELLA
G70100	2	48	BHA0123	NIPPLE	NIPPLE	NIPPLE
G70100	3	48	BHA0123	NIPPLE	NIPPLE	NIPPLE
G70100	4	48	BHG4720	LEVER	LIVIER	LEVA DISTRIBUTORE
G70100	5	48	BHB0125/D1	DISTRIBUTOR	DISTRIBUTEUR	DISTRIBUTORE
G70100	6	48	BHA0403	FITTING	RACCORD	VITE FORATA
G70100	7	48	3D.57010202	LEVER KIT	KIT LAVIER	KIT LEVA
G70100	8	48	3D.535118002	LEVER	LIVIER	LEVA DISTRIBUTORE



NUMERO TAVOLA  
TABLE NUMBER  
**G70169**

VERSIONE  
VERSION  
**00**  
15/03/11

CODICE MACCHINA  
MACHINE CODE  
**APOLLO**  
Matr. 1900



DESCRIZIONE:


VALVOLE  
VALVE  
SOUPAPE  
VALVULA  
VENTIL

Table	Item#	Pg.	Code	Part Description - English	Part Description - French	Part Description - Italian
G70169	1	49	BHE1306	VALVE	SOUPAPE	VALVOLA
G70169	2	49	BHB3263	SOLENOID VALVE	ELECTROVALVE	ELETTROVALVOLA
G70169	3	49	BAL5114	WASHER	RONDELLE	RONDELLA
G70169	4	49	BHA0132	NIPPLE	NIPPLE	NIPPLE
G70169	5	49	BHF2111	VALVE	SOUPAPE	VALVOLA PRIORITARIA
G70169	6	49	BHE1139	VALVE	SOUPAPE	VALVOLA
G70169	7	49	BHA1810	FITTING	RACCORD	RACCORDO GIREVOLE
G70169	8	49	BAA7212	SCREW	VIS	VITE
G70169	9	49	BAL5113	WASHER	RONDELLE	RONDELLA
G70169	10	49	BHA0129	NIPPLE	NIPPLE	NIPPLE
G70169	11	49	BHA0128	NIPPLE	NIPPLE	NIPPLE
G70169	12	49	BHG4731	WASHER	RONDELLE	RONDELLA
G70169	13	49	BHG4730	WASHER	RONDELLE	RONDELLA
G70169	14	49	BHG4723	WASHER	RONDELLE	RONDELLA
G70169	15	49	BHA0101	NIPPLE	NIPPLE	NIPPLE
G70169	16	49	BHA0132	NIPPLE	NIPPLE	NIPPLE

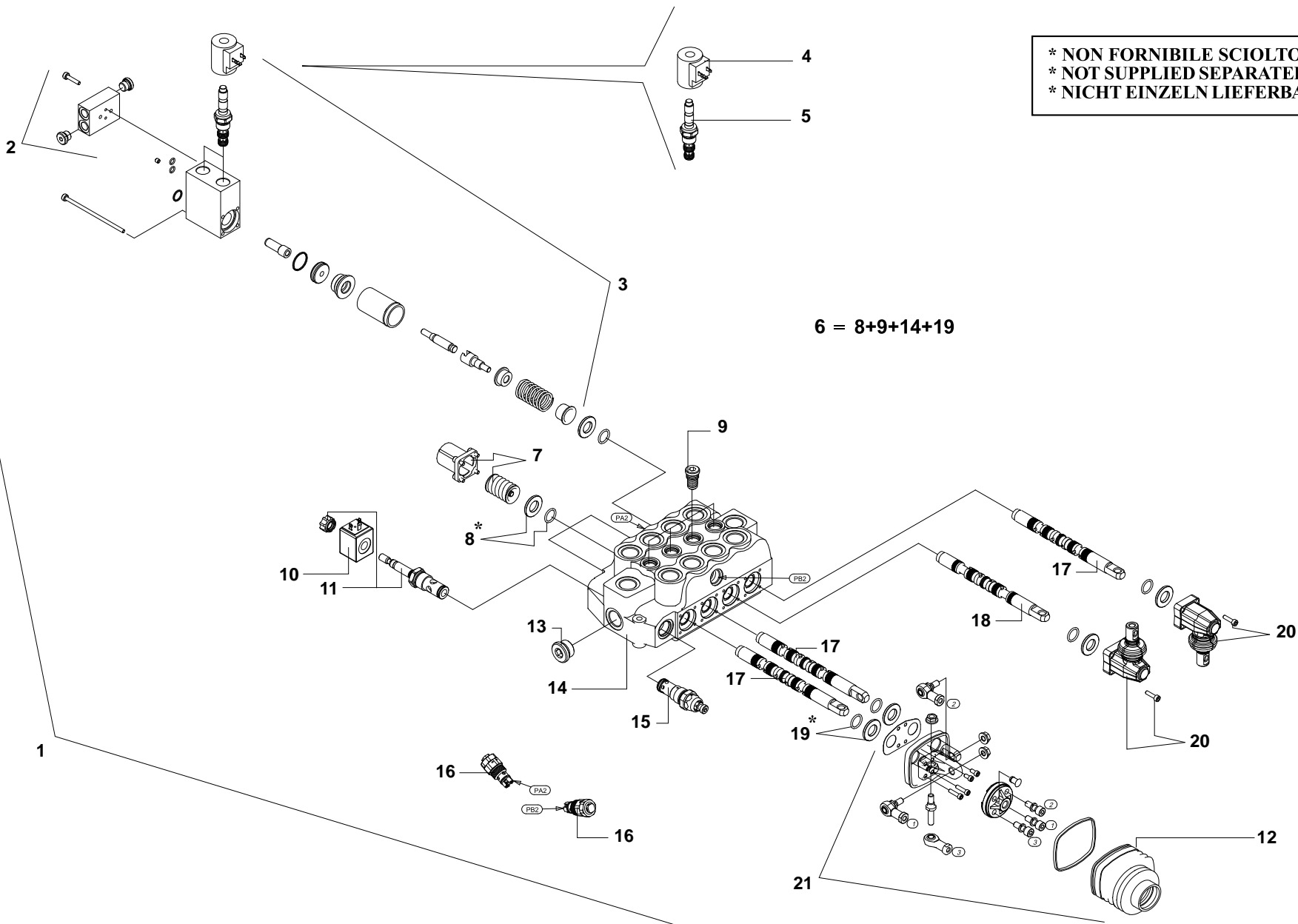




08

<b>NUMERO TAVOLA</b> TABLE NUMBER <b>G80000</b>	<b>VERSIONE</b> VERSION <b>00</b>	<b>CODICE MACCHINA</b> MACHINE CODE <b>APOLLO</b>	 <small>macchine edili ed agricole</small>	<b>DESCRIZIONE:</b>	<b>DISTRIBUTORE COMANDO BRACCIO</b> DISTRIBUTOR DISTRIBUTEUR DISTRIBUIDOR STEUERSCHIEBER
---	---	---	--	---------------------	--

\* NON FORNIBILE SCIOLTO  
 \* NOT SUPPLIED SEPARATELY  
 \* NICHT EINZELN LIEFERBAR



6 = 8+9+14+19


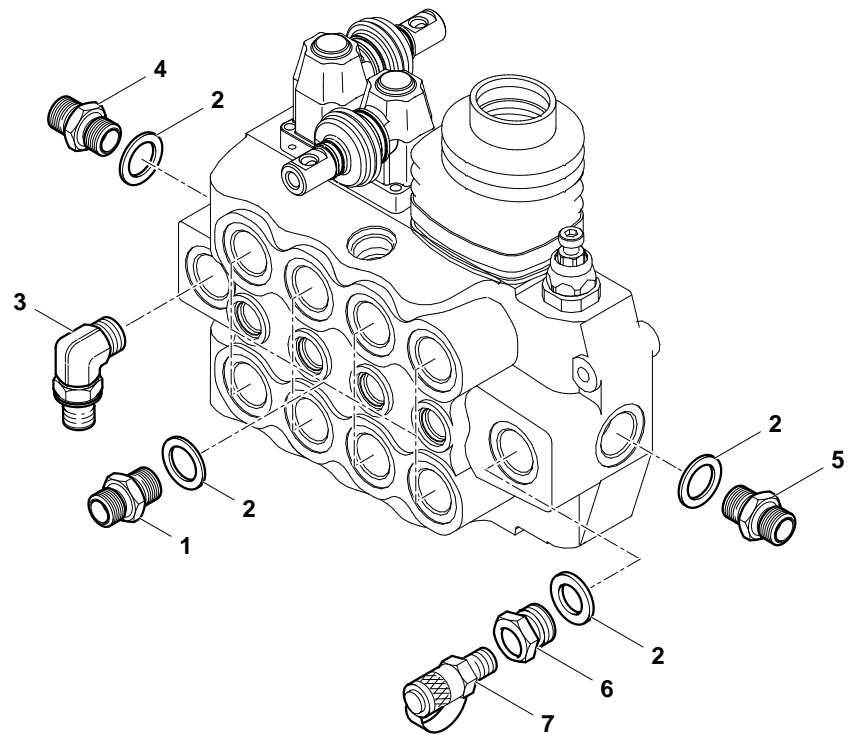
NUMERO TAVOLA TABLE NUMBER <b>G80001</b>	VERSIONE VERSION <b>00</b> 01/10/08	CODICE MACCHINA MACHINE CODE <b>APOLLO</b> Matr. 1900		DESCRIZIONE:	DISTRIBUTORE WALVOIL (STANDARD) (BHB3275) DISTRIBUTOR WALVOIL (BHB3275) DISTRIBUTEUR WALVOIL (BHB3275) DISTRIBUIDOR WALVOIL (BHB3275) STEUERSCHIEBER WALVOIL (BHB3275)
--	--	--	---	--------------	--

Table	Item#	Pg.	Code	Part Description - English	Part Description - French	Part Description - Italian
G80001	2	51	3V.5KE1S00030	MANIFOLD	COLLECTEUR	COLLETTORE
G80001	3	51	3V.5V08108364	ELECTRODYN CONTROL	COMMANDE ELECTRO-HYD	ELETTROCOMANDO
G80001	4	51	3V.2XB1400121100	COIL	BOBINE	BOBINA
G80001	5	51	3V.XOEJ08002013	SOLENOID VALVE	ELECTROVALVE	ELETTROVALVOLA
G80001	6	51	3V.5KC1934003	DISTRIBUTOR	DISTRIBUTEUR	CORPO CON GUARNIZIONI
G80001	7	51	3V.5V08108240	PLUG	CAPOUCHON	KIT CAPPELLOTTO
G80001	8	51	/	NOT AVAILABLE	PAS LIVRABLE	NON DISPONIBILE SCIOLTO
G80001	9	51	3V.XKIT010200	KIT VR 10	KIT VR 11	KIT VR 10
G80001	10	51	3V.2X4311012	COIL	BOBINE	BOBINA
G80001	11	51	3V.X134520000	SOLENOID VALVE	ELECTROVALVE	ELETTROVALVOLA
G80001	12	51	3V.3SOF200850	PLUG	COUFFE	CUFFIA
G80001	13	51	3V.3XTAP732200	PLUG	BOUCHON	TAPPO
G80001	14	51	3V.3CO1934003	DISTRIBUTOR	DISTRIBUTEUR	CORPO
G80001	15	51	3V.X134211175	VALVE	SOUPAPE	VALVOLA
G80001	16	51	3V.3XCAR208114	CARTRIDGE	CARTOUCHE	CARTUCCIA
G80001	17	51	3V.3CU1310425	CURSOR	CURSEUR	CURSORE
G80001	18	51	3V.3CU1325401	CURSOR	CURSEUR	CURSORE
G80001	19	51	/	NOT AVAILABLE	PAS LIVRABLE	NON DISPONIBILE SCIOLTO
G80001	20	51	3V.5LEV108000	LEVER	LIVIER	LEVA DISTRIBUTORE
G80001	21	51	3V.5CL0308100	LEVER KIT	KIT LAVIER	KIT LEVA




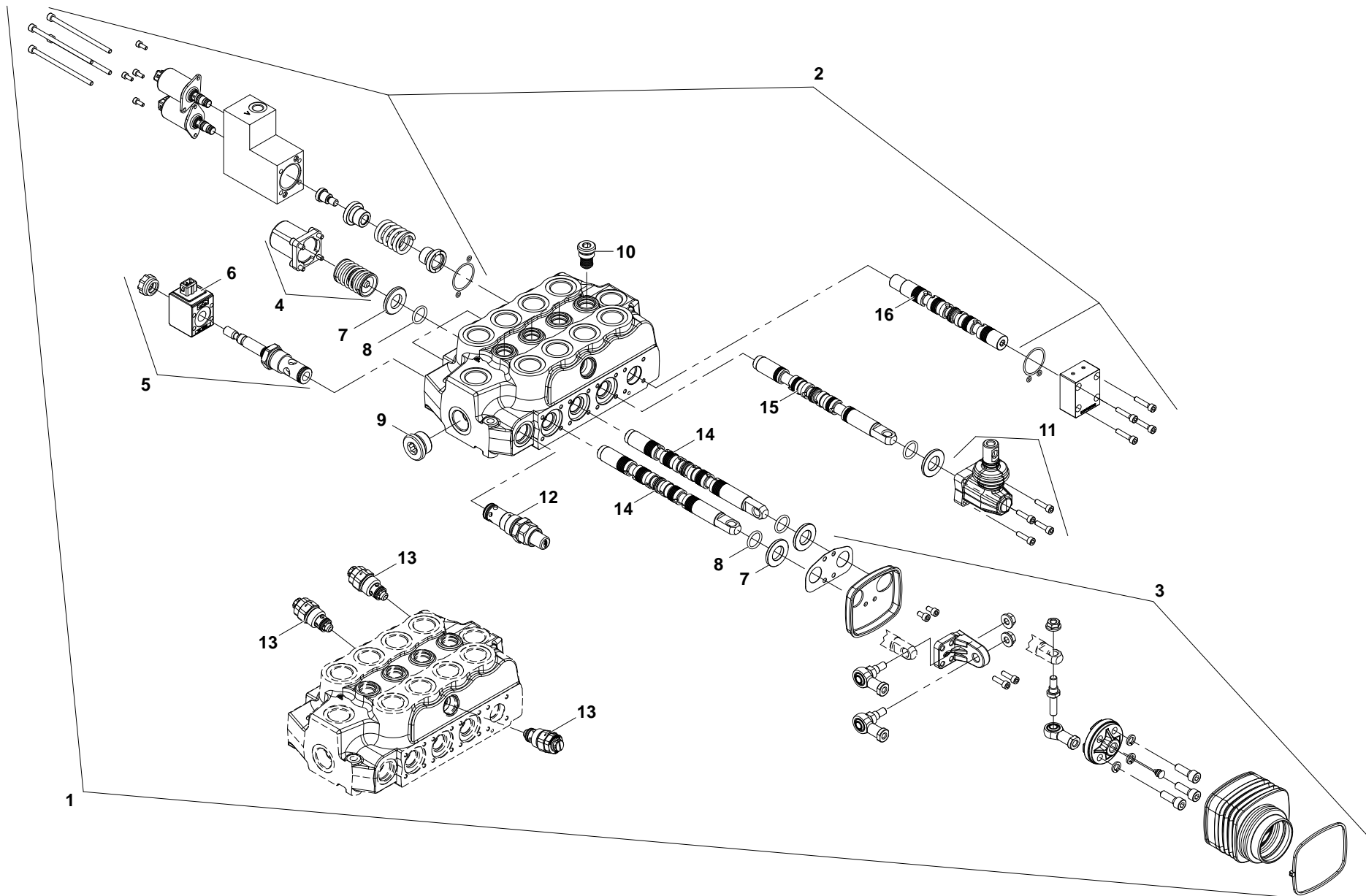
<b>NUMERO TAVOLA</b> <b>TABLE NUMBER</b> <b>G80034</b>	<b>VERSIONE</b> <b>VERSION</b> <b>00</b> 01/10/08	<b>CODICE MACCHINA</b> <b>MACHINE CODE</b> <b>APOLLO</b> Matr. 1900		<b>DESCRIZIONE:</b>	<b>DISTRIBUTORE WALVOIL CON RACCORDI (BHB3275)</b> <b>WALVOIL DISTRIBUTOR WITH COUPLINGS (BHB3275)</b> <b>DISTRIBUTEUR WALVOIL AVEC RACCORDS (BHB3275)</b> <b>DISTRIBUDOR WALVOIL CON RACORES (BHB3275)</b> <b>STEUERSCHIEBER WALVOIL VERSCHRAUBG (BHB3275)</b>
--	--	--	---	---------------------	---

Table	Item#	Pg.	Code	Part Description - English	Part Description - French	Part Description - Italian
G80034	1	52	BHA0129	NIPPLE	NIPPLE	NIPPLE
G80034	2	52	BHG4731	WASHER	RONDELLE	RONDELLA
G80034	3	52	BHA1901	MANIFOLD	COUDE	RACCORDO CURVA
G80034	4	52	BHA0132	NIPPLE	NIPPLE	NIPPLE
G80034	5	52	BHA0134	NIPPLE	NIPPLE	NIPPLE
G80034	6	52	BHA0636/F	PLUG	BOUCHON	TAPPO
G80034	7	52	BKA0010	THRUST METER	PRESSOSTAT	PRESSOSTATO




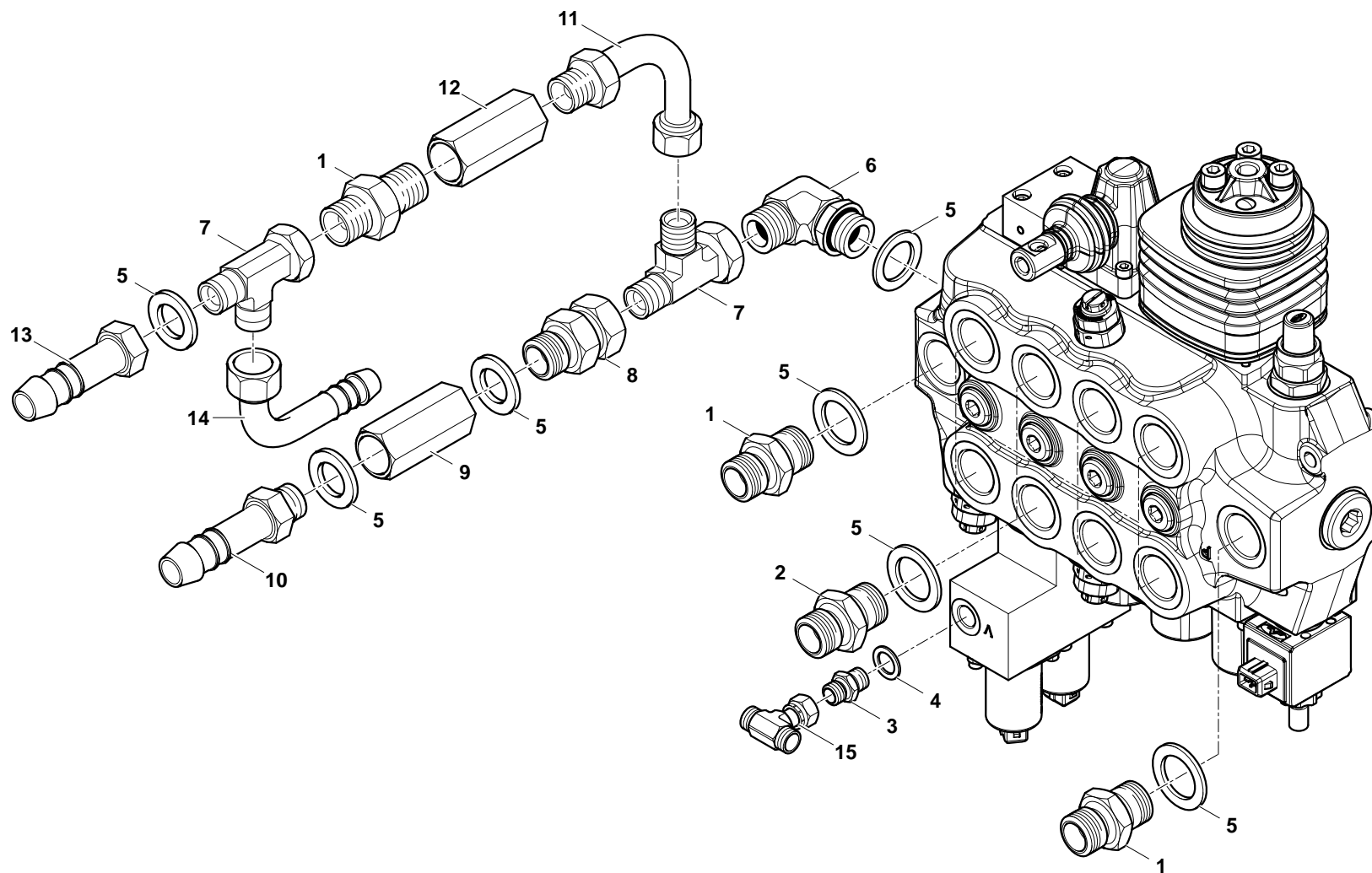
NUMERO TAVOLA TABLE NUMBER <b>G80076</b>	VERSIONE VERSION <b>00</b> 24/08/11	CODICE MACCHINA MACHINE CODE <b>APOLLO</b> Matr. 1900		DESCRIZIONE:	DISTRIBUTORE WALVOIL (SFILO PROPORZIONALE) - (BHB3276) DISTRIBUTOR WALVOIL (PROPORTIONING EXTENSION) - (BHB3276) DISTRIBUTEUR WALVOIL (PROPORTIONNEL COULISSES) - (BHB3276) DISTRIBUIDOR WALVOIL (PROPORCIONALIDAD EXTENSIBLE) - (BHB3276) STEUERSCHIEBER WALVOIL (MISCHREGELUNG) - (BHB3276)
--	--	--	---	--------------	---

Table	Item#	Pg.	Code	Part Description - English	Part Description - French	Part Description - Italian
G80076	1	53	BHB3276	DISTRIBUTOR CMPL	DISTRIBUTEUR CMPL	DISTRIBUTORE CMPL
G80076	2	53	3V.5IDR608315	ELECTRODYN CONTROL	COMMANDE ELECTRO-HYD	ELETTROCOMANDO
G80076	3	53	3V.5CLO308100	LEVER KIT	KIT LAVIER	KIT LEVA
G80076	4	53	3V.5V08108240	PLUG	CAPOUCHON	KIT CAPPELLOTTO
G80076	5	53	3V.5CAR408222	SOLENOID VALVE	ELECTROVALVE	ELETTROVALVOLA
G80076	6	53	3V.4SL6001203	COIL	BOBINE	BOBINA
G80076	7	53	3V.3ANE134041	SEAL	JOINT	ANELLO
G80076	8	53	3V.4GUA118025	O RING	BAGUE OR	ANELLO OR
G80076	9	53	3V.3XTAP732200	PLUG	BOUCHON	TAPPO
G80076	10	53	3V.XKIT010200	KIT VR 10	KIT VR 10	KIT VR 10
G80076	11	53	3V.5LEV108000	LEVER	LIVIER	LEVA
G80076	12	53	3V.X134213220	VALVE	SOUPAPE	VALVOLA
G80076	13	53	3V.3XCAR208114	CARTRIDGE	CARTOUCHE	CARTUCCIA
G80076	14	53	3V.3CU1310425	CURSOR	CURSEUR	CURSORE
G80076	15	53	3V.3CU1325401	CURSOR	CURSEUR	CURSORE
G80076	16	53	3V.3CU1310440	CURSOR	CURSEUR	CURSORE



NUMERO TAVOLA  
TABLE NUMBER  
**G80075**

VERSIONE  
VERSION  
**00**  
13/04/11

CODICE MACCHINA  
MACHINE CODE  
**APOLLO**  
Matr. 1900

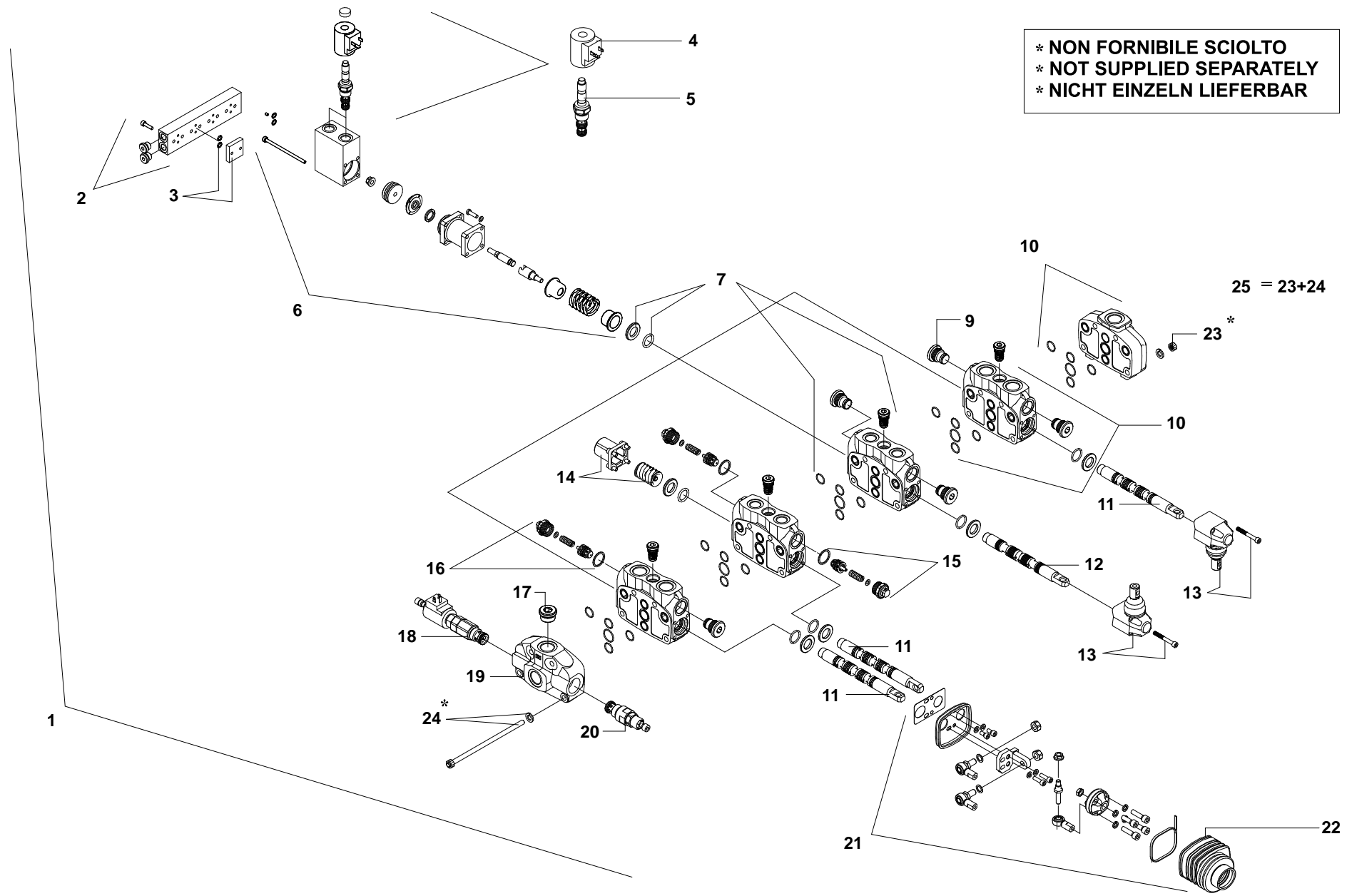


DESCRIZIONE:

DISTRIBUTORE WALVOIL (SFILO PROPORZIONALE) CON RACCORDI - (BHB3276)  
DISTRIBUTOR WALVOIL (PROPORTIONING EXTENSION) WITH COUPLINGS - (BHB3276)  
DISTRIBUTEUR WALVOIL (PROPORTIONNEL COULISSES) AVEC RACCORDS - (BHB3276)  
DISTRIBUIDOR WALVOIL (PROPORCIONALIDAD EXTENSIBLE) CON RACORES - (BHB3276)  
STEUERSCHIEBER WALVOIL (MISCHREGELUNG) VERSCHRAUBG - (BHB3276)



Table	Item#	Pg.	Code	Part Description - English	Part Description - French	Part Description - Italian
G80075	1	54	BHA0132	NIPPLE	NIPPLE	NIPPLE
G80075	2	54	BHA0129	NIPPLE	NIPPLE	NIPPLE
G80075	3	54	BHA0101	NIPPLE	NIPPLE	NIPPLE
G80075	4	54	BHG4723	WASHER	RONDELLE	RONDELLA
G80075	5	54	BHG4731	WASHER	RONDELLE	RONDELLA
G80075	6	54	BHA1901	MANIFOLD	COUDE	RACCORDO CURVA
G80075	7	54	BHA1518	T-UNION	RACCORD-T	RACCORDO-T
G80075	8	54	BHA1805	FITTING	RACCORD	RACCORDO GIREVOLE
G80075	9	54	BHE1138	ONE WAY VALVE	SOUPAPE DE NON RETOUR	VALVOLA DI NON RITORNO
G80075	10	54	BHA0374	UNION RUBBER PIPE	RACCORD TUYAU FLEXIBLE	PORTAGOMMA
G80075	11	54	BHA1041	MANIFOLD	COUDE	RACCORDO CURVA
G80075	12	54	BHE1134	VALVE	SOUPAPE	VALVOLA DI NON RITORNO
G80075	13	54	BHA0240	FITTING	RACCORD	NIPPLE PORTAGOMMA
G80075	14	54	BHA0291	FITTING	RACCORD	CURVA PORTAGOMMA
G80075	15	54	BHA1499	T-UNION	RACCORD-T	RACCORDO-T



\* NON FORNIBILE SCIOLTO  
 \* NOT SUPPLIED SEPARATELY  
 \* NICHT EINZELN LIEFERBAR

25 = 23+24


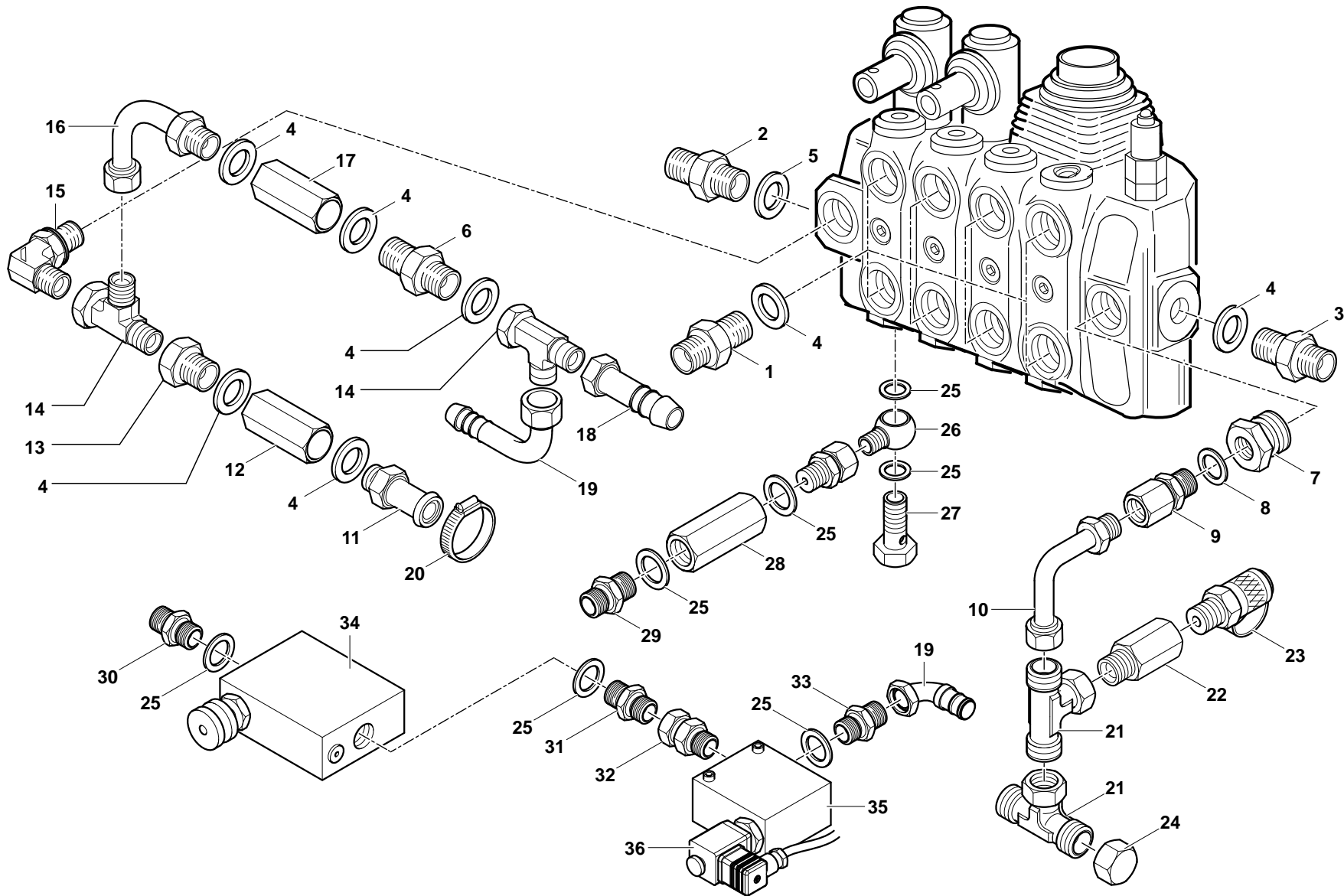
NUMERO TAVOLA TABLE NUMBER <b>G80004</b>	VERSIONE VERSION <b>00</b> 01/10/08	CODICE MACCHINA MACHINE CODE <b>APOLLO</b> Matr. 1900		DESCRIZIONE:	DISTRIBUTORE WALVOIL (CESTELLO) (BHB3280) DISTRIBUTOR WALVOIL (BASKET) (BHB3280) DISTRIBUTEUR WALVOIL (NACEL) (BHB3280) DISTRIBUIDOR WALVOIL (CESTA) (BHB3280) STEUERSCHIEBER WALVOIL (KORB) (BHB3280)
--	--	--	---	--------------	--

Table	Item#	Pg.	Code	Part Description - English	Part Description - French	Part Description - Italian
G80004	1	55	BHB3280	DISTRIBUTOR CMPL	DISTRIBUTEUR CMPL	DISTRIBUTORE CMPL
G80004	2	55	3V.5KE4500430	MANIFOLD	COLLECTEUR	COLLETTORE
G80004	3	55	3V.5FLA335035	FLANGE	BRIDE	FLANGIA
G80004	4	55	3V.2XB1400121100	COIL	BOBINE	BOBINA
G80004	5	55	3V.2SOEJ08002013	SOLENOID VALVE	ELECTROVALVE	ELETTROVALVOLA
G80004	6	55	3V.5V08110354	ELECTRODYN CONTROL	COMMANDE ELECTRO-HYD	ELETTROCOMANDO
G80004	7	55	3V.5EL1123000	SOLENOID VALVE	ELECTROVALVE	ELETTROVALVOLA
G80004	8	55	3V614361006	EXHAUST SIDE	COTE D'ECHAPPEMENT	FIANCATA DI SCARICO
G80004	9	55	3V.XTAP530330	PLUG	BOUCHON	TAPPO
G80004	10	55	3V.5EL1124000	ELEMENT	ELEMENT	ELEMENTO
G80004	11	55	3V.3CU2410120	CURSOR	CURSEUR	CURSORE
G80004	12	55	3V.3CU2425200	CURSOR	CURSEUR	CURSORE
G80004	13	55	3V.5LEV110000	LEVER	LIVIER	LEVA DISTRIBUTORE
G80004	14	55	3V.5V08110000	PLUG	CAPOUCHON	KIT CAPPELLOTTO
G80004	15	55	3V.5KIT210113	KIT	KIT	KIT
G80004	16	55	3V.5KIT210114	KIT	KIT	KIT
G80004	17	55	3V.XTAP732200	PLUG	BOUCHON	TAPPO
G80004	18	55	3V.YCAR410305	CARTRIDGE	CARTOUCHE	CARTUCCIA
G80004	19	55	3V.3FIA111400	SIDE	COTE D'ECHAPPEMENT	FIANCATA
G80004	20	55	3V.3XCAR110313	CARTRIDGE	CARTOUCHE	CARTUCCIA
G80004	21	55	3V.5CL0211100	LEVER KIT	KIT LAVIER	KIT LEVA
G80004	22	55	3V.3SOF200860	PLUG	COUFFE	CUFFIA
G80004	23	55	/	NOT AVAILABLE	PAS LIVRABLE	NON DISPONIBILE SCIOLTO
G80004	24	55	/	NOT AVAILABLE	PAS LIVRABLE	NON DISPONIBILE SCIOLTO
G80004	25	55	3V.5TIR110284	SCREW KIT	VIS KIT	KIT TIRANTE



NUMERO TAVOLA  
TABLE NUMBER  
**G80008**

VERSIONE  
VERSION  
**00**  
04/03/05

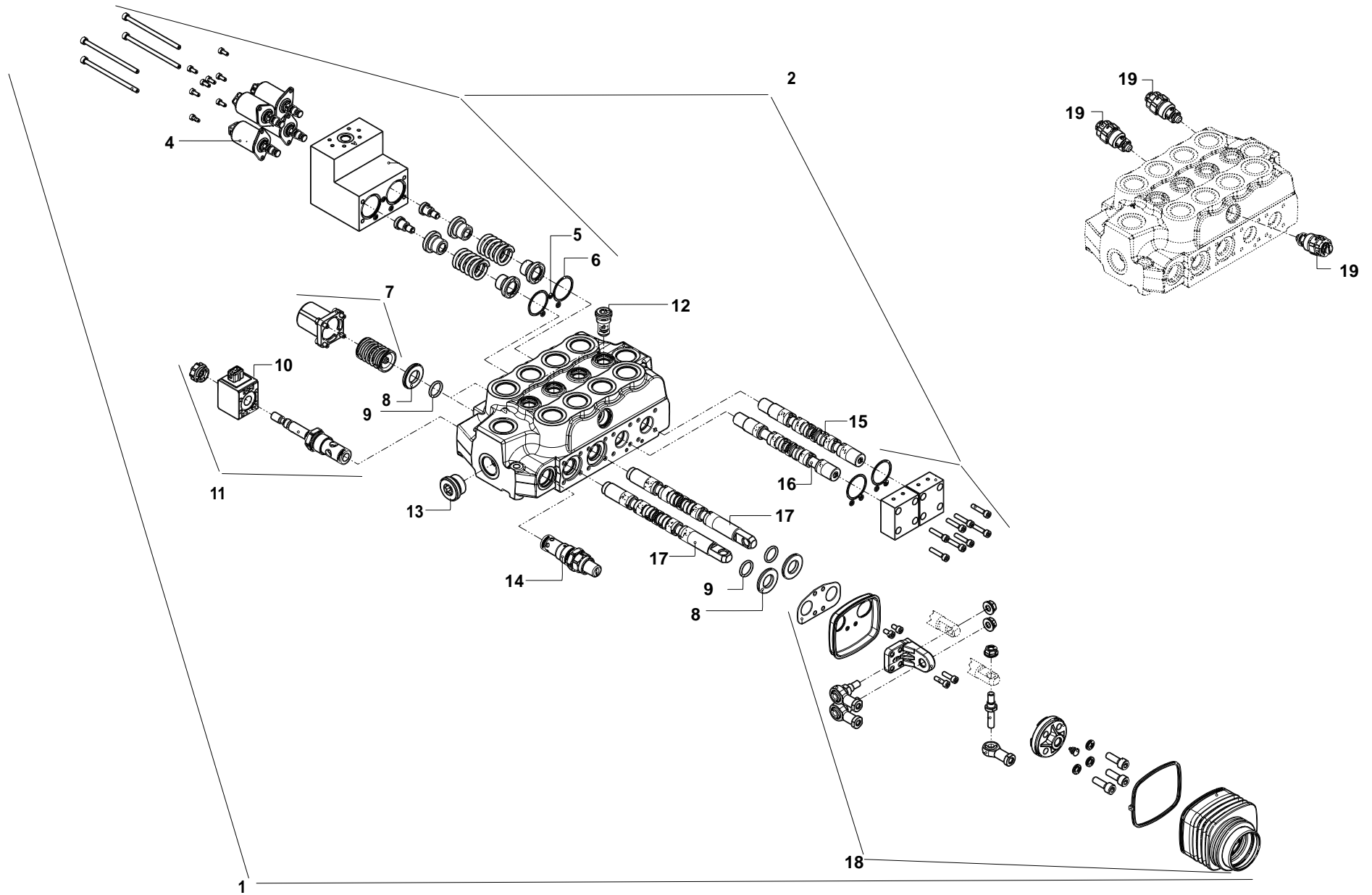
CODICE MACCHINA  
MACHINE CODE  
**APOLLO**  
Matr. 1900



DESCRIZIONE:

DISTRIBUTORE WALVOIL CON RACCORDI (CESTELLO) (BHB3280)  
WALVOIL DISTRIBUTOR WITH COUPLINGS (BASKET) (BHB3280)  
DISTRIBUTEUR WALVOIL AVEC RACCORDS (NACEL) (BHB3280)  
DISTRIBUDOR WALVOIL CON RACORES (CESTA) (BHB3280)  
STEUERSCHIEBER WALVOIL VERSCHRAUBG (KORB) (BHB3280)

Table	Item#	Pg.	Code	Part Description - English	Part Description - French	Part Description - Italian
G80008	1	56	BHA0132	NIPPLE	NIPPLE	NIPPLE
G80008	2	56	BHA0137	NIPPLE	NIPPLE	NIPPLE
G80008	3	56	BHA0125	NIPPLE	NIPPLE	NIPPLE
G80008	4	56	BHG4731	WASHER	RONDELLE	RONDELLA
G80008	5	56	BHG4733	WASHER	RONDELLE	RONDELLA
G80008	6	56	BHA0132	NIPPLE	NIPPLE	NIPPLE
G80008	7	56	BHA0636/F	PLUG	BOUCHON	TAPPO
G80008	8	56	BHG4723	WASHER	RONDELLE	RONDELLA
G80008	9	56	BHA1806	NIPPLE	NIPPLE	NIPPLE
G80008	10	56	BHA1036	MANIFOLD	COUDE	RACCORDO CURVA
G80008	11	56	BHA0240	FITTING	RACCORD	NIPPLE PORTAGOMMA
G80008	12	56	BHE1134	VALVE	SOUPAPE	VALVOLA DI NON RITORNO
G80008	13	56	BHA1805	FITTING	RACCORD	RACCORDO GIREVOLE
G80008	14	56	BHA1518	T-UNION	RACCORD-T	RACCORDO-T
G80008	15	56	BHA1901	MANIFOLD	COUDE	RACCORDO CURVA
G80008	16	56	BHA1041	MANIFOLD	COUDE	RACCORDO CURVA
G80008	17	56	BHE1138	ONE WAY VALVE	SOUPAPE DE NON RETOUR	VALVOLA DI NON RITORNO
G80008	18	56	BHA0374	UNION RUBBER PIPE	RACCORD TUYAU FLEXIBLE	PORTAGOMMA
G80008	19	56	BHA0291	FITTING	RACCORD	CURVA PORTAGOMMA
G80008	20	56	BWF1131	CLAMP	COLLIER	FASCETTA
G80008	21	56	BHA1499	T-UNION	RACCORD-T	RACCORDO-T
G80008	22	56	BHA0533	HOLLOW STUD	COLONNETTE	COLONNETTA
G80008	23	56	BKA0010	THRUST METER	PRESSOSTAT	PRESSOSTATO
G80008	24	56	BHA0691	PLUG	BOUCHON	TAPPO
G80008	25	56	BHG4730	WASHER	RONDELLE	RONDELLA
G80008	26	56	BHA0474	FITTING	RACCORD	RACCORDO A OCCHIO
G80008	27	56	BHA0404	SCREW	VIS	VITE FORATA
G80008	28	56	BHE1133	ONE WAY VALVE	SOUPAPE DE NON RETOUR	VALVOLA DI NON RITORNO
G80008	29	56	BHA0104	NIPPLE	NIPPLE	NIPPLE
G80008	30	56	BHA0124	NIPPLE	NIPPLE	NIPPLE
G80008	31	56	BHA0128	NIPPLE	NIPPLE	NIPPLE
G80008	32	56	BHA1810	NIPPLE	NIPPLE	NIPPLE
G80008	33	56	BHA0129	NIPPLE	NIPPLE	NIPPLE
G80008	34	56	BHE1220	VALVE	SOUPAPE	VALVOLA
G80008	35	56	BHE1362	VALVE	SOUPAPE	VALVOLA
G80008	36	56	BHE1376	SOLENOID VALVE	SOUPAPE ELECTRIQUE	BOBINA



NUMERO TAVOLA  
TABLE NUMBER  
**G80069**

VERSIONE  
VERSION  
**00**  
01/10/08

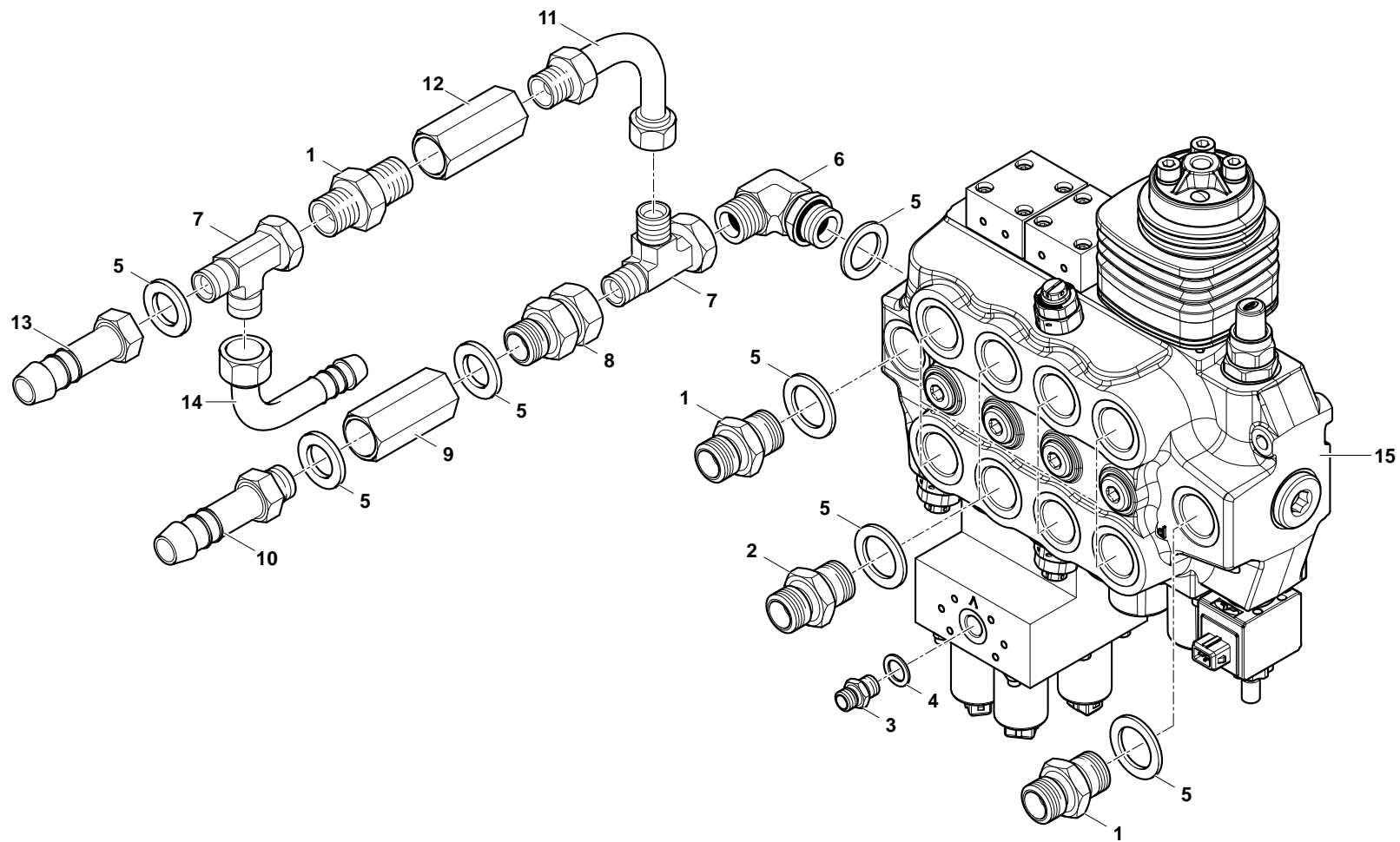
CODICE MACCHINA  
MACHINE CODE  
**APOLLO**  
Matr. 1900



DESCRIZIONE:

DISTRIBUTORE WALVOIL (SFILO PROPORZIONALE) - (BHB3278)  
DISTRIBUTEUR WALVOIL (PROPORTIONNING EXTENSION) - (BHB3278)  
DISTRIBUTEUR WALVOIL (PROPORTIONNEL COULISSES) - (BHB3278)  
DISTRIBUIDOR WALVOIL (PROPORCIONALIDAD EXTENSIBLE) - (BHB3278)  
STEUERSCHIEBER WALVOIL (MISCHREGELUNG) - (BHB3278)

Table	Item#	Pg.	Code	Part Description - English	Part Description - French	Part Description - Italian
G80069	1	57	BHB3278	DISTRIBUTOR CMPL (EID5633)	DISTRIBUTEUR CMPL (EID5633)	DISTRIBUTORE CMPL (EID5633)
G80069	2	57	3V.5IDR608317	ELECTRODYN CONTROL	COMMANDE ELECTRO-HYD	ELETTROCOMANDO
G80069	4	57	3V.X269768121	SOLENOID VALVE	ELECTROVALVE	ELETTROVALVOLA
G80069	5	57	3V.4GU1037180	O RING	BAGUE OR	ANELLO OR
G80069	6	57	3V.4GUA131518	O RING	BAGUE OR	ANELLO OR
G80069	7	57	3V.5V08108240	PLUG	CAPOUCHON	KIT CAPPELLOTTO
G80069	8	57	3V.3ANE134041	SEAL	JOINT	ANELLO
G80069	9	57	3V.4GUA118025	O RING	BAGUE OR	ANELLO OR
G80069	10	57	3V.4SL6001203	COIL	BOBINE	BOBINA
G80069	11	57	3V.5CAR408222	SOLENOID VALVE	ELECTROVALVE	ELETTROVALVOLA
G80069	12	57	3V.XKIT010200	KIT VR 10	KIT VR 10	KIT VR 10
G80069	13	57	3V.3XTAP732200	PLUG	BOUCHON	TAPPO
G80069	14	57	3V.X134213220	VALVE	SOUPAPE	VALVOLA
G80069	15	57	3V.3CU1322441	CURSOR	CURSEUR	CURSORE
G80069	16	57	3V.3CU1310440	CURSOR	CURSEUR	CURSORE
G80069	17	57	3V.3CU1310425	CURSOR	CURSEUR	CURSORE
G80069	18	57	3V.5CLO308100	LEVER KIT	KIT LAVIER	KIT LEVA
G80069	19	57	3V.3XCAR208114	CARTRIDGE	CARTOUCHE	CARTUCCIA



NUMERO TAVOLA  
TABLE NUMBER  
**G80072**

VERSIONE  
VERSION  
**00**  
08/04/11

CODICE MACCHINA  
MACHINE CODE  
**APOLLO**  
Matr. 1900

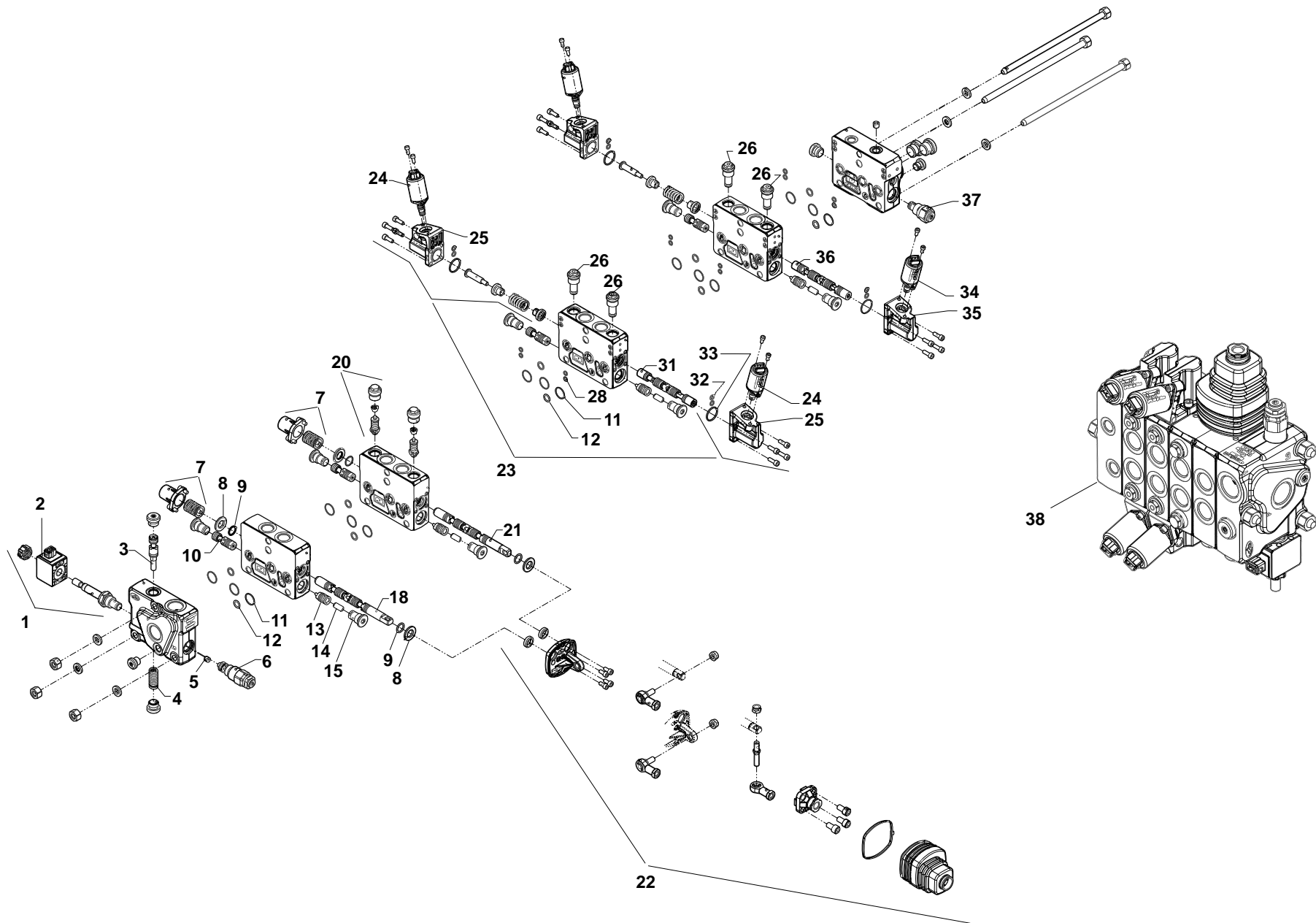


DESCRIZIONE:

DISTRIBUTORE WALVOIL (SFILO PROPORZIONALE) CON RACCORDI - (BHB3278)  
DISTRIBUTOR WALVOIL (PROPORTIONING EXTENSION) WITH COUPLINGS - (BHB3278)  
DISTRIBUTEUR WALVOIL (PROPORTIONNEL COULISSES) AVEC RACCORDS - (BHB3278)  
DISTRIBUIDOR WALVOIL (PROPORCIONALIDAD EXTENSIBLE) CON RACORES - (BHB3278)  
STEUERSCHIEBER WALVOIL (MISCHREGELUNG) VERSCHRAUBG - (BHB3278)



Table	Item#	Pg.	Code	Part Description - English	Part Description - French	Part Description - Italian
G80072	1	58	BHA0132	NIPPLE	NIPPLE	NIPPLE
G80072	2	58	BHA0129	NIPPLE	NIPPLE	NIPPLE
G80072	3	58	BHA0101	NIPPLE	NIPPLE	NIPPLE
G80072	4	58	BHG4723	WASHER	RONDELLE	RONDELLA
G80072	5	58	BHG4731	WASHER	RONDELLE	RONDELLA
G80072	6	58	BHA1901	MANIFOLD	COUDE	RACCORDO CURVA
G80072	7	58	BHA1518	T-UNION	RACCORD-T	RACCORDO-T
G80072	8	58	BHA1805	FITTING	RACCORD	RACCORDO GIREVOLE
G80072	9	58	BHE1138	ONE WAY VALVE	SOUPAPE DE NON RETOUR	VALVOLA DI NON RITORNO
G80072	10	58	BHA0374	UNION RUBBER PIPE	RACCORD TUYAU FLEXIBLE	PORTAGOMMA
G80072	11	58	BHA1041	MANIFOLD	COUDE	RACCORDO CURVA
G80072	12	58	BHE1134	VALVE	SOUPAPE	VALVOLA DI NON RITORNO
G80072	13	58	BHA0240	FITTING	RACCORD	NIPPLE PORTAGOMMA
G80072	14	58	BHA0291	FITTING	RACCORD	CURVA PORTAGOMMA
G80072	15	58	BHB3278	DISTRIBUTOR CMPL (EID5633)	DISTRIBUTEUR CMPL (EID5633)	DISTRIBUTORE CMPL (EID5633)



NUMERO TAVOLA  
TABLE NUMBER  
**G80070**

VERSIONE  
VERSION  
**00**  
01/10/08

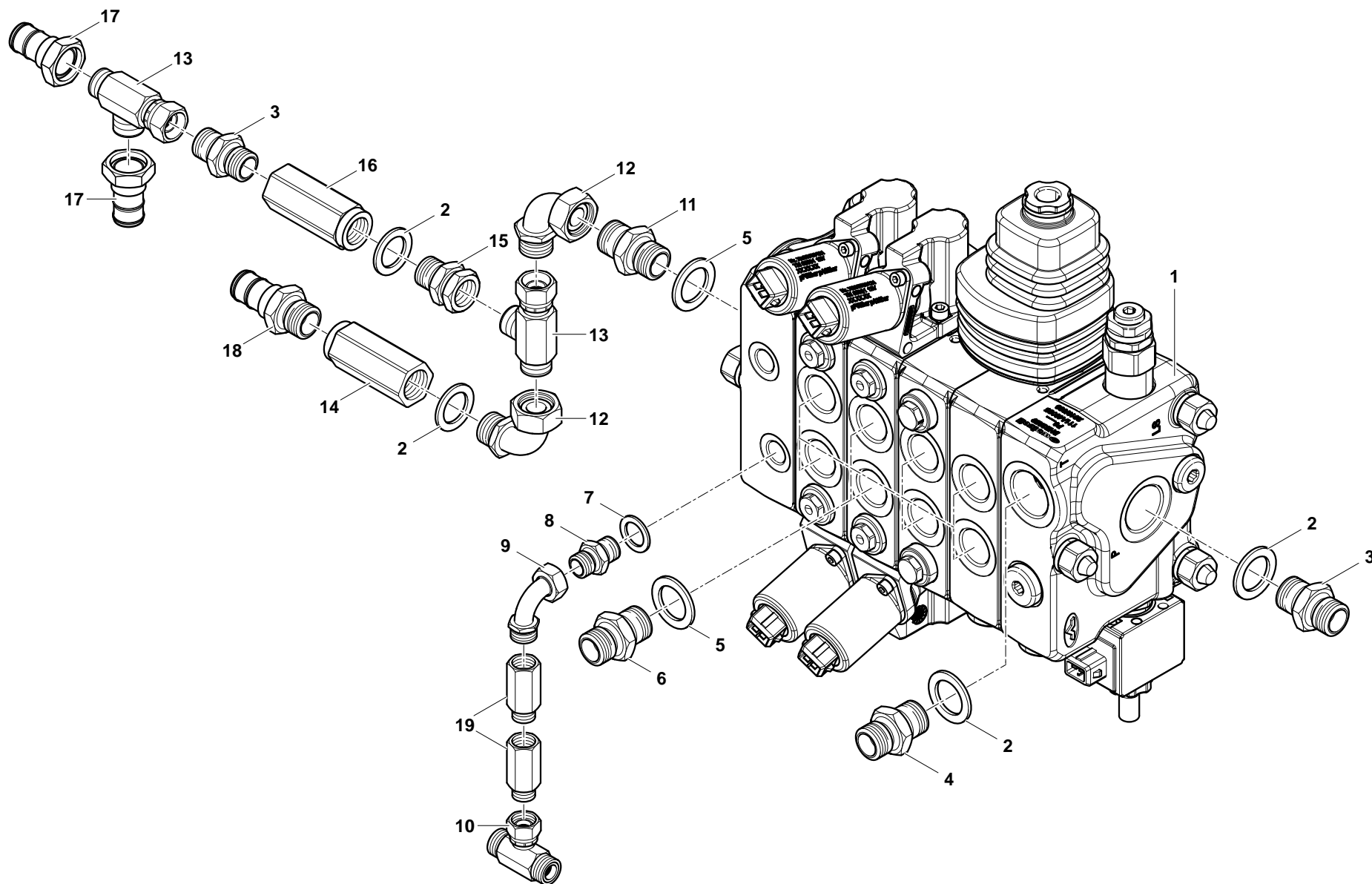
CODICE MACCHINA  
MACHINE CODE  
**APOLLO**  
Matr. 1900



DESCRIZIONE:

DISTRIBUTORE WALVOIL (FLOW SHARING) - (BHB3279)  
DISTRIBUTOR WALVOIL (FLOW SHARING) - (BHB3279)  
DISTRIBUTEUR WALVOIL (FLOW SHARING) - (BHB3279)  
DISTRIBUIDOR WALVOIL (FLOW SHARING) - (BHB3279)  
STEUERSCHIEBER WALVOIL (FLOW SHARING) - (BHB3279)

Table	Item#	Pg.	Code	Part Description - English	Part Description - French	Part Description - Italian
G80070	1	59	3V.5CAR400313	SOLENOID VALVE	ELECTROVALVE	ELETTROVALVOLA
G80070	2	59	3V.4SL6001203	COIL	BOBINE	BOBINA
G80070	3	59	3V.XCAS314680	CURSOR KIT	KIT CURSEUR	KIT CURSORE
G80070	4	59	3V.3MOL315490	SPRING	RESSORT	MOLLA
G80070	5	59	3V.3VIT208080	CHOKER	ÉTRANGLEUR	STROZZATORE
G80070	6	59	3V.3XMC09R02	VALVE	SOUPAPE	VALVOLA
G80070	7	59	3V.5V08107000	PLUG	CAPOUCHON	KIT CAPPELOTTO
G80070	8	59	3V.3ANE126020	SEAL	JOINT	ANELLO
G80070	9	59	3V.4GUA114020	O RING	BAGUE OR	ANELLO OR
G80070	10	59	3V.XCAS314460	CURSOR	CURSEUR	CURSORE
G80070	11	59	3V.4GUA117218	O RING	BAGUE OR	ANELLO OR
G80070	12	59	3V.4GU1093180	O RING	BAGUE OR	ANELLO OR
G80070	13	59	3V.3CAS314300	CURSOR	CURSEUR	CURSORE
G80070	14	59	3V.3MOL608270	SPRING	RESSORT	MOLLA
G80070	15	59	3V.XTAP622290	PLUG	BOUCHON	TAPPO
G80070	18	59	3V.3CU7110105	CURSOR	CURSEUR	CURSORE
G80070	20	59	3V.5KIT330260	VALVE KIT	KIT SOUPAPE	KIT VALVOLA
G80070	21	59	3V.3CU7110101	CURSOR	CURSEUR	CURSORE
G80070	22	59	3V.5CLO207011	LEVER KIT	KIT LAVIER	KIT LEVA
G80070	23	59	3V.5IDR904214	ELECTRODYN CONTROL	COMMANDE ELECTRO-HYD	ELETTROCOMANDO
G80070	24	59	3V.X269768121	SOLENOID VALVE	ELECTROVALVE	ELETTROVALVOLA
G80070	25	59	3V.3COR335520	CYLINDER	VERIN	CILINDRO
G80070	26	59	3V.XTAP522441	PLUG	BOUCHON	TAPPO
G80070	28	59	3V.4GUA104518	O RING	BAGUE OR	ANELLO OR
G80070	31	59	3V.3CU7710201	CURSOR	CURSEUR	CURSORE
G80070	32	59	3V.4GUA105318	O RING	BAGUE OR	ANELLO OR
G80070	33	59	3V.4GUA123015	O RING	BAGUE OR	ANELLO OR
G80070	36	59	3V.3CU7721103	CURSOR	CURSEUR	CURSORE
G80070	37	59	3V.X138810000	FLOW REGULATOR 0,7l/mn+filter	RÉGULATEUR	REGOLATORE
G80070	38	59	BHB3279	DISTRIBUTOR CMPL (EID5634)	DISTRIBUTEUR CMPL (EID5634)	DISTRIBUTORE CMPL (EID5634)



NUMERO TAVOLA  
TABLE NUMBER  
**G80071**

VERSIONE  
VERSION  
**00**  
01/10/08

CODICE MACCHINA  
MACHINE CODE  
**APOLLO**  
Matr. 1900




DESCRIZIONE:

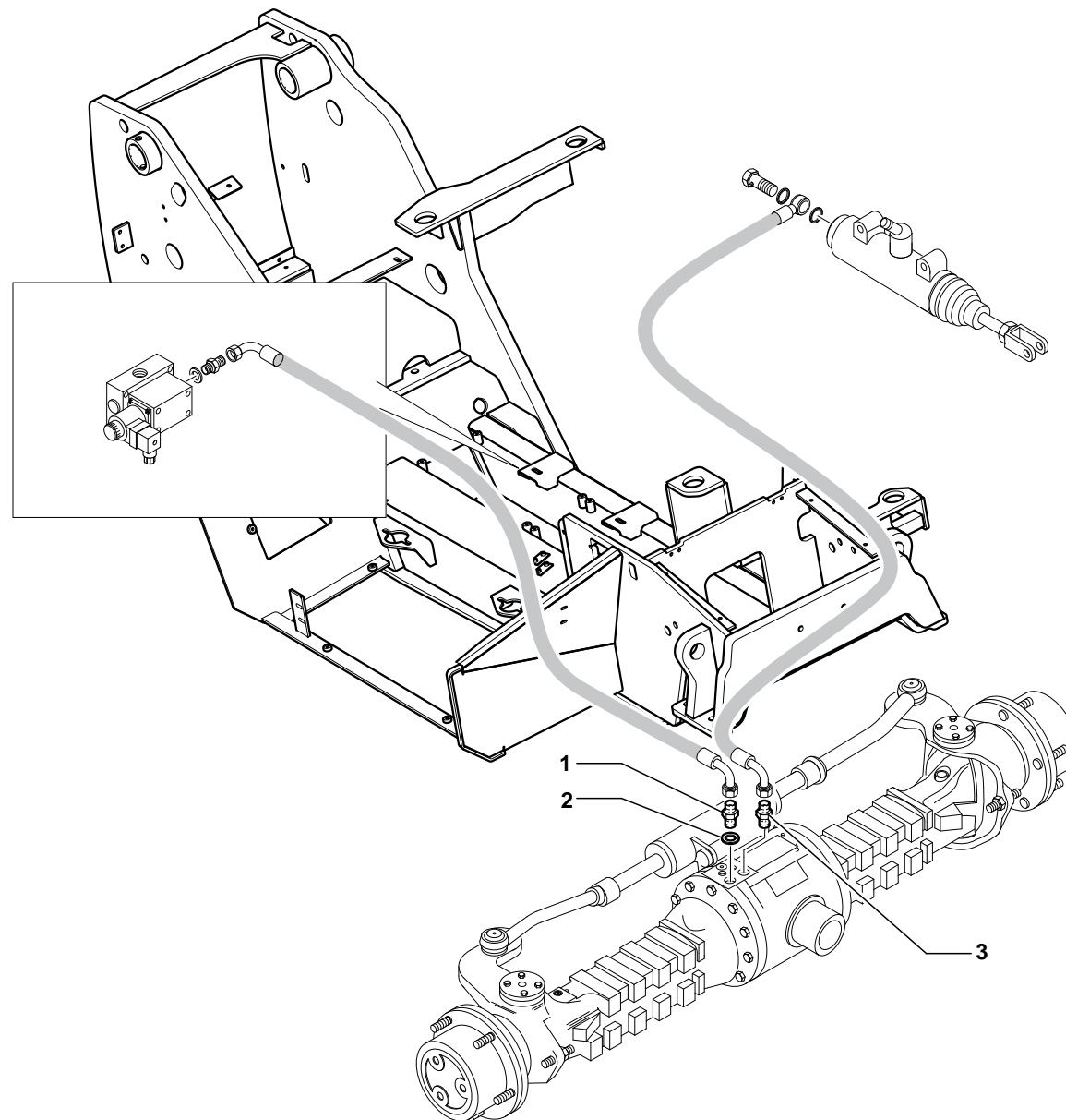
DISTRIBUTORE WALVOIL (FLOW SHARING) CON RACCORDI - (BHB3279)  
DISTRIBUTOR WALVOIL (FLOW SHARING) WITH COUPLINGS - (BHB3279)  
DISTRIBUTEUR WALVOIL (FLOW SHARING) AVEC RACCORDS - (BHB3279)  
DISTRIBUIDOR WALVOIL (FLOW SHARING) CON RACORES - (BHB3279)  
STEUERSCHIEBER WALVOIL (FLOW SHARING) VERSCHRAUBG - (BHB3279)

Table	Item#	Pg.	Code	Part Description - English	Part Description - French	Part Description - Italian
G80071	1	60	BHB3279	DISTRIBUTOR CMPL (EID5634)	DISTRIBUTEUR CMPL (EID5634)	DISTRIBUTORE CMPL (EID5634)
G80071	2	60	BHG4733	WASHER	RONDELLE	RONDELLA
G80071	3	60	BHA0132	NIPPLE	NIPPLE	NIPPLE
G80071	4	60	BHA0134	NIPPLE	NIPPLE	NIPPLE
G80071	5	60	BHG4730	WASHER	RONDELLE	RONDELLA
G80071	6	60	BHA0128	NIPPLE	NIPPLE	NIPPLE
G80071	7	60	BHG4723	WASHER	RONDELLE	RONDELLA
G80071	8	60	BHA0101	NIPPLE	NIPPLE	NIPPLE
G80071	9	60	BHA1036	MANIFOLD	COUDE	RACCORDO CURVA
G80071	10	60	BHA1499	FITTING	RACCORD	RACCORDO A 'T'
G80071	11	60	BHA0129	NIPPLE	NIPPLE	NIPPLE
G80071	12	60	BHA1041	MANIFOLD	COUDE	RACCORDO CURVA
G80071	13	60	BHA1518	FITTING	RACCORD	RACCORDO A 'T'
G80071	14	60	BHE1137	ONE WAY VALVE	SOUPAPE DE NON RETOUR	VALVOLA DI NON RITORNO
G80071	15	60	BHA1805	FITTING	RACCORD	RACCORDO GIREVOLE
G80071	16	60	BHE1138	ONE WAY VALVE	SOUPAPE DE NON RETOUR	VALVOLA DI NON RITORNO
G80071	17	60	BHA0374	FITTING	RACCORD	RACCORDO PORTAGOMMA
G80071	18	60	BHA0240	FITTING	RACCORD	NIPPLE PORTAGOMMA
G80071	19	60	BHA0533	HOLLOW STUD	COLONNETTE	COLONNETTA



09

<b>NUMERO TAVOLA</b> TABLE NUMBER <b>G90000</b>	<b>VERSIONE</b> VERSION <b>00</b>	<b>CODICE MACCHINA</b> MACHINE CODE <b>APOLLO</b>	 <small>macchine edili ed agricole</small>	<b>DESCRIZIONE:</b> SERVIZI MOTORE E IMPIANTI PERIFERICI PERIPHERAL SERVICES MOTOR AND SYSTEMS SERVICES PÉRIPHÉRIQUES MOTEUR ET SYSTÈMES SERVICIOS PERIFÉRICOS MOTOR Y SISTEMAS ZUSATZDIENSTLEISTUNGEN MOTOR UND SYSTEME
---	---	---	--	---



NUMERO TAVOLA  
TABLE NUMBER  
**G90102**

VERSIONE  
VERSION  
**00**  
01/10/08

CODICE MACCHINA  
MACHINE CODE  
**APOLLO**  
Matr. 1900

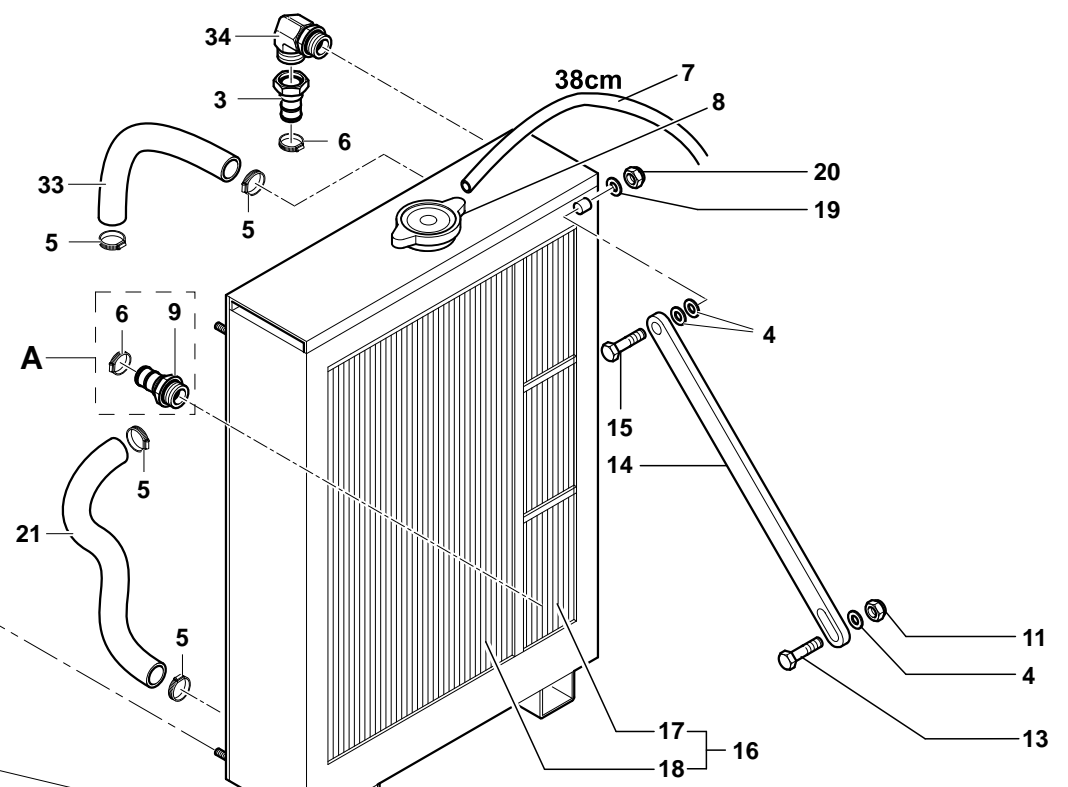
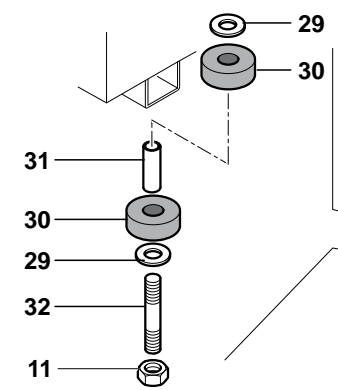
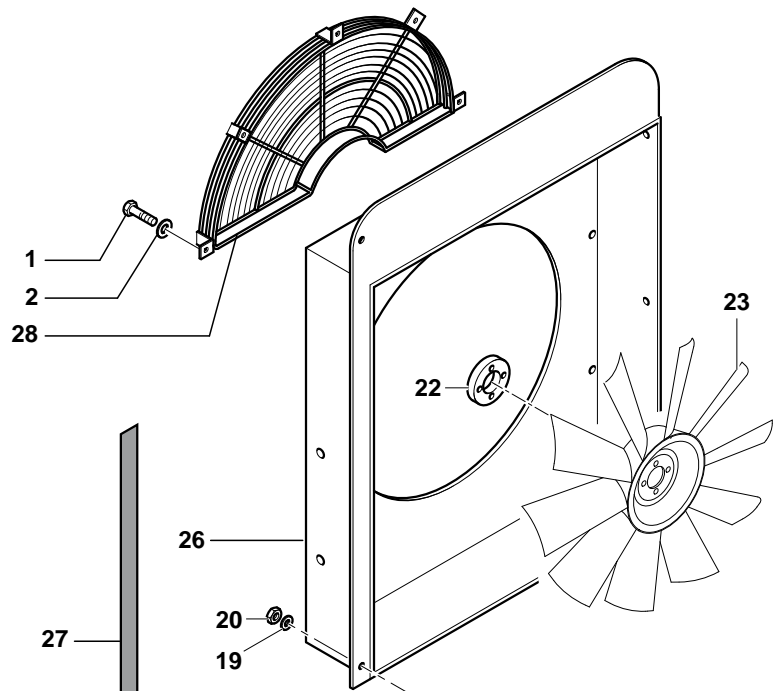


DESCRIZIONE:

**IMPIANTO DI FRENATURA**  
**BRAKING SYSTEM**  
**SYSTEME DE FREINAGE**  
**SISTEMA DE FRENADO**  
**BREMSSYSTEM**

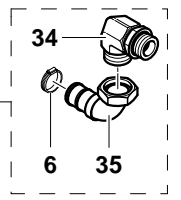
Table	Item#	Pg.	Code	Part Description - English	Part Description - French	Part Description - Italian
G90102	1	62	BHA0109	NIPPLE	NIPPLE	NIPPLE
G90102	2	62	BHG4720	WASHER	RONDELLE	RONDELLA
G90102	3	62	BHA2190/1	NIPPLE	NIPPLE	NIPPLE





CON ARIA CONDIZIONATA  
WITH AIR CONDITIONING  
MIT KLIMAANLAGE

A




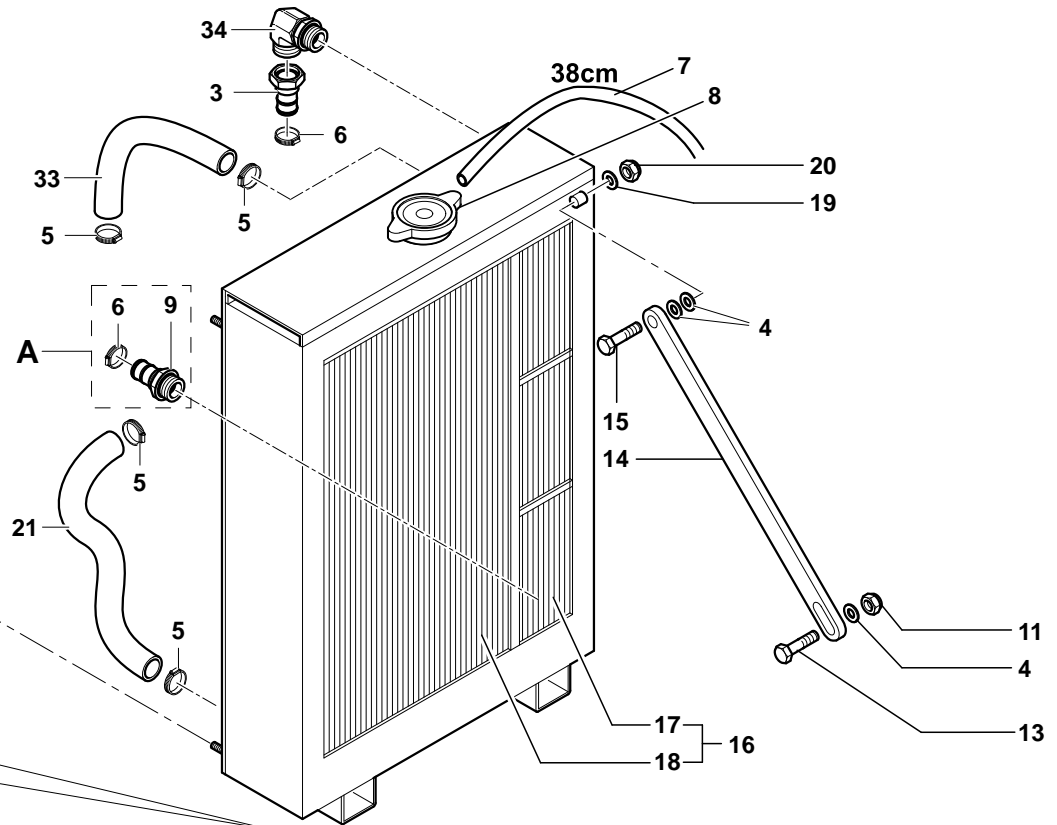
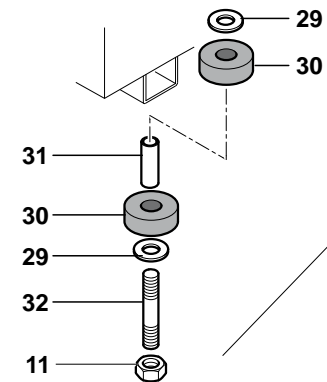
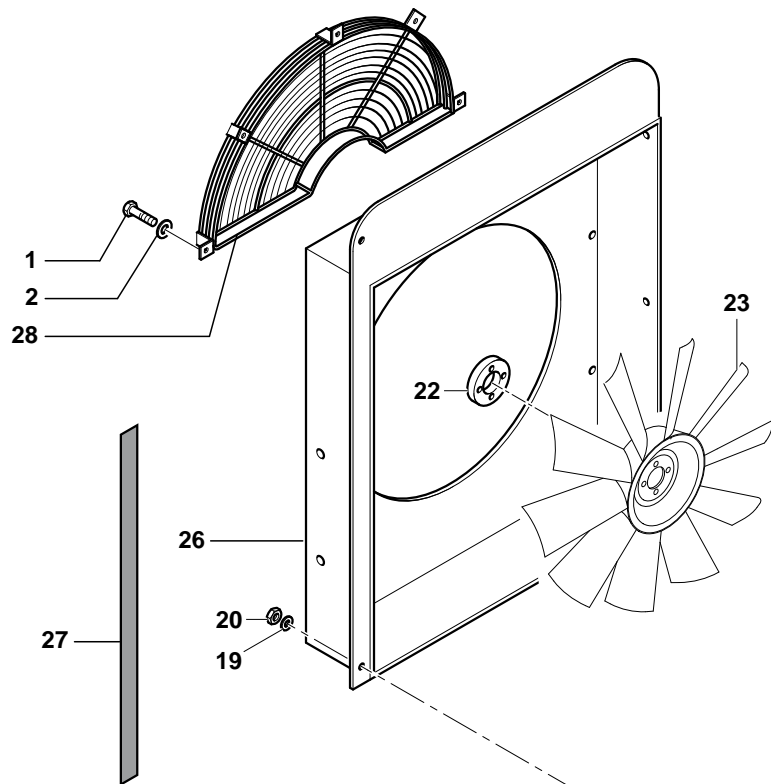
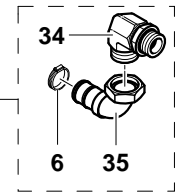
NUMERO TAVOLA TABLE NUMBER <b>G90144</b>	VERSIONE VERSION <b>00</b> 01/10/08	CODICE MACCHINA MACHINE CODE <b>APOLLO</b> Matr. 1900		DESCRIZIONE: <b>RADIATORE MOTORE ASPIRATO</b> RADIATOR FOR NATURALLY ASPIRATED DIESEL ENGINE RADIAT POUR MOTEUR DIESEL A ASPIRATION NATURELLE RADIADOR POR MOTOR DIESEL THE ASPIRACION NATURAL KUEHKER FUR DIESEL SAUGMOTORS
--	--	--	---	---

Table	Item#	Pg.	Code	Part Description - English	Part Description - French	Part Description - Italian
G90144	1	63	BAA7204	SCREW	VIS	VITE
G90144	2	63	BAL5112	WASHER	RONDELLE	RONDELLA
G90144	3	63	BHA0375	FITTING	RACCORD	NIPPLE PORTAGOMMA
G90144	4	63	BAL5114	WASHER	RONDELLE	RONDELLA
G90144	5	63	BWF1112	CLAMP	COLLIER	FASCETTA
G90144	6	63	BWF1108	CLAMP	COLLIER	FASCETTA
G90144	7	63	BIL2000	TUBE	TUYAU	TUBO
G90144	8	63	1F.4845413	VENT	RENIFLARD	TAPPO SFIATO
G90144	9	63	BHA0244	FITTING	RACCORD	CURVA PORTAGOMMA
G90144	10	63	BHG4733	WASHER	RONDELLE	RONDELLA
G90144	11	63	BAG4118	NUT	ECROU	DADO
G90144	12	63	BKC6165	FLEXIBLE PIPE	TUYAU FLEXIBLE	TUBO FLESSIBILE
G90144	13	63	BAA7254	SCREW	VIS	VITE
G90144	14	63	CVC6118/CL	SUPPORT	SUPPORT	SUPPORTO
G90144	15	63	BAA7258	SCREW	VIS	VITE
G90144	16	63	BVK0237	RADIATOR	RADIATEUR	RADIATORE 'OLIO/ACQUA'
G90144	17	63	BVK0217	OIL RADIATOR	RADIATEUR HUILE	RADIATORE OLIO
G90144	18	63	BVK0236	WAATER RADIATOR	RADIATEUR D'EAU	RADIATORE ACQUA
G90144	19	63	BAL5110	WASHER	RONDELLE	RONDELLA
G90144	20	63	BAG4116	NUT	ECROU	DADO
G90144	21	63	BSH9171	COUPLING	MANCHON	MANICOTTO
G90144	22	63	POD8004	SPACER	ENTRETOISE	DISTANZIALE
G90144	23	63	BVK0434	BLOWER	VENTILATION	VENTOLA
G90144	24	63	BAA7259	SCREW	VIS	VITE
G90144	25	63	BAL3248	WASHER	RONDELLE	RONDELLA
G90144	26	63	BVK0209	COUPLING	MANCHON	CONVOGLIATORE
G90144	27	63	BSH9124	BODY BY METER	JOINT PAR METRE	GUARNIZIONE IN METRATURA
G90144	28	63	CLB4042	HOUSING	CARTER	CARTER RETE
G90144	29	63	BAL1114	WASHER	RONDELLE	RONDELLA
G90144	30	63	1F.741569	SILENTBLOCK	ANTI VIBRATION	ANTIVIBRANTE
G90144	31	63	PAZ3004	BUSHING	DOUILLE	BOCCOLA
G90144	32	63	BAF1132	STUD	GOUJON	PRIGIONIERO
G90144	33	63	BSH9170	COUPLING	MANCHON	MANICOTTO
G90144	34	63	BHA1904	MANIFOLD	COUDE	RACCORDO CURVA
G90144	35	63	BHA0295	FITTING	RACCORD	CURVA PORTAGOMMA



CON ARIA CONDIZIONATA  
WITH AIR CONDITIONING  
MIT KLIMAANLAGE

A



NUMERO TAVOLA  
TABLE NUMBER  
**G90145**

VERSIONE  
VERSION  
**00**  
01/10/08

CODICE MACCHINA  
MACHINE CODE  
**APOLLO**  
Matr. 1900

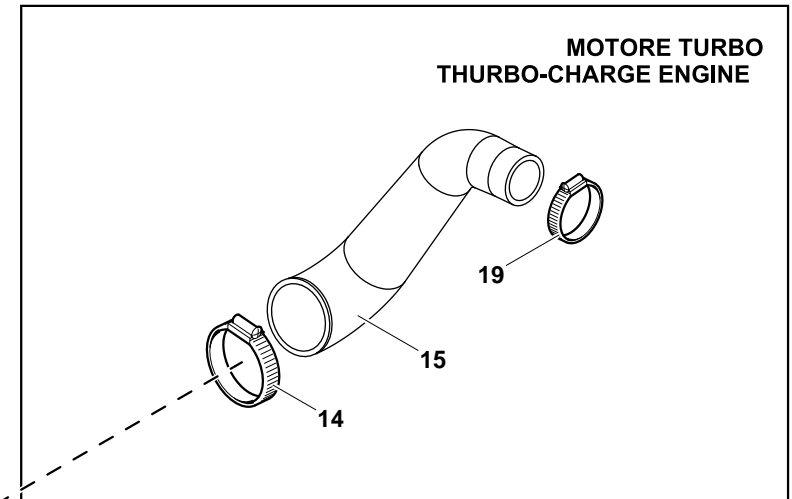
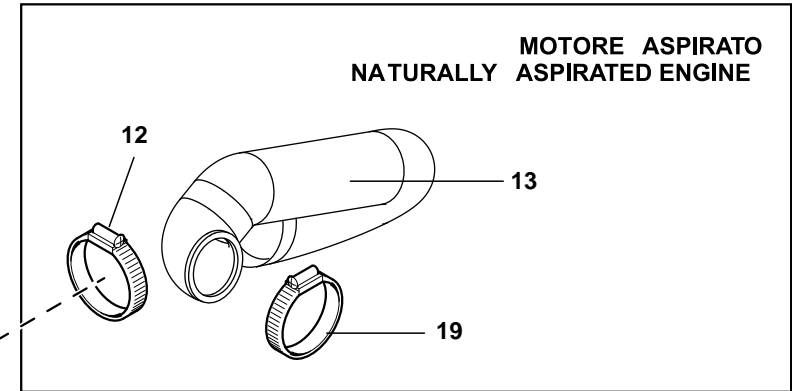
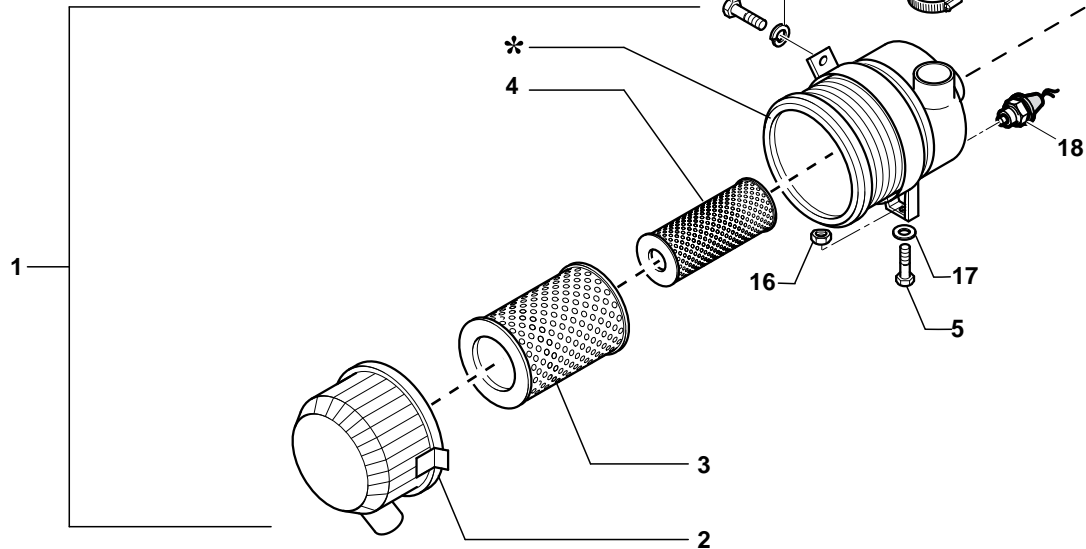
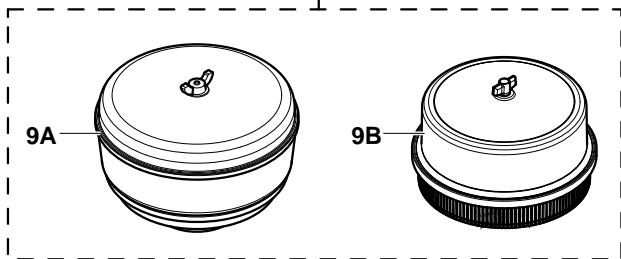


DESCRIZIONE:

RADIATORE MOTORE TURBO  
RADIATOR FOR THURBO-CHARGED DIESEL ENGINE  
RADIAT POUR MOTEUR DIESEL TURBOCOMPRESSE  
RADIADOR POR MOTOR DIESEL THE SOBREALIMENTADO  
KUEHKER FUR DIESEL TURBOMOTOR

Table	Item#	Pg.	Code	Part Description - English	Part Description - French	Part Description - Italian
G90145	1	64	BAA7204	SCREW	VIS	VITE
G90145	2	64	BAL5112	WASHER	RONDELLE	RONDELLA
G90145	3	64	BHA0375	FITTING	RACCORD	NIPPLE PORTAGOMMA
G90145	4	64	BAL5114	WASHER	RONDELLE	RONDELLA
G90145	5	64	BWF1112	CLAMP	COLLIER	FASCETTA
G90145	6	64	BWF1108	CLAMP	COLLIER	FASCETTA
G90145	7	64	BIL2000	TUBE	TUYAU	TUBO
G90145	8	64	1F.4845413	VENT	RENIFLARD	TAPPO SFIATO
G90145	9	64	BHA0244	FITTING	RACCORD	CURVA PORTAGOMMA
G90145	10	64	BHG4733	WASHER	RONDELLE	RONDELLA
G90145	11	64	BAG4118	NUT	ECROU	DADO
G90145	12	64	BKC6165	FLEXIBLE PIPE	TUYAU FLEXIBLE	TUBO FLESSIBILE
G90145	13	64	BAA7254	SCREW	VIS	VITE
G90145	14	64	CVC6118/CL	SUPPORT	SUPPORT	SUPPORTO
G90145	15	64	BAA7258	SCREW	VIS	VITE
G90145	16	64	BVK0255	RADIATOR	RADIATEUR	RADIATORE 'OLIO/ACQUA'
G90145	17	64	BVK0226	OIL RADIATOR	RADIATEUR HUILE	RADIATORE OLIO
G90145	18	64	BVK0256	WAATER RADIATOR	RADIATEUR D'EAU	RADIATORE ACQUA
G90145	19	64	BAL5110	WASHER	RONDELLE	RONDELLA
G90145	20	64	BAG4116	NUT	ECROU	DADO
G90145	21	64	BSH9171	COUPLING	MANCHON	MANICOTTO
G90145	22	64	POD8004	SPACER	ENTRETOISE	DISTANZIALE
G90145	23	64	BVK0434	BLOWER	VENTILATION	VENTOLA
G90145	24	64	BAA7259	SCREW	VIS	VITE
G90145	25	64	BAL3248	WASHER	RONDELLE	RONDELLA
G90145	26	64	BVK0209	COUPLING	MANCHON	CONVOGLIATORE
G90145	27	64	BSH9124	BODY BY METER	JOINT PAR METRE	GUARNIZIONE IN METRATURA
G90145	28	64	CLB4042	HOUSING	CARTER	CARTER RETE
G90145	29	64	BAL1114	WASHER	RONDELLE	RONDELLA
G90145	30	64	1F.741569	SILENTBLOCK	ANTI VIBRATION	ANTIVIBRANTE
G90145	31	64	PAZ3004	BUSHING	DOUILLE	BOCCOLA
G90145	32	64	BAF1132	STUD	GOUJON	PRIGIONIERO
G90145	33	64	BSH9170	COUPLING	MANCHON	MANICOTTO
G90145	34	64	BHA1904	MANIFOLD	COUDE	RACCORDO CURVA
G90145	35	64	BHA0295	FITTING	RACCORD	CURVA PORTAGOMMA

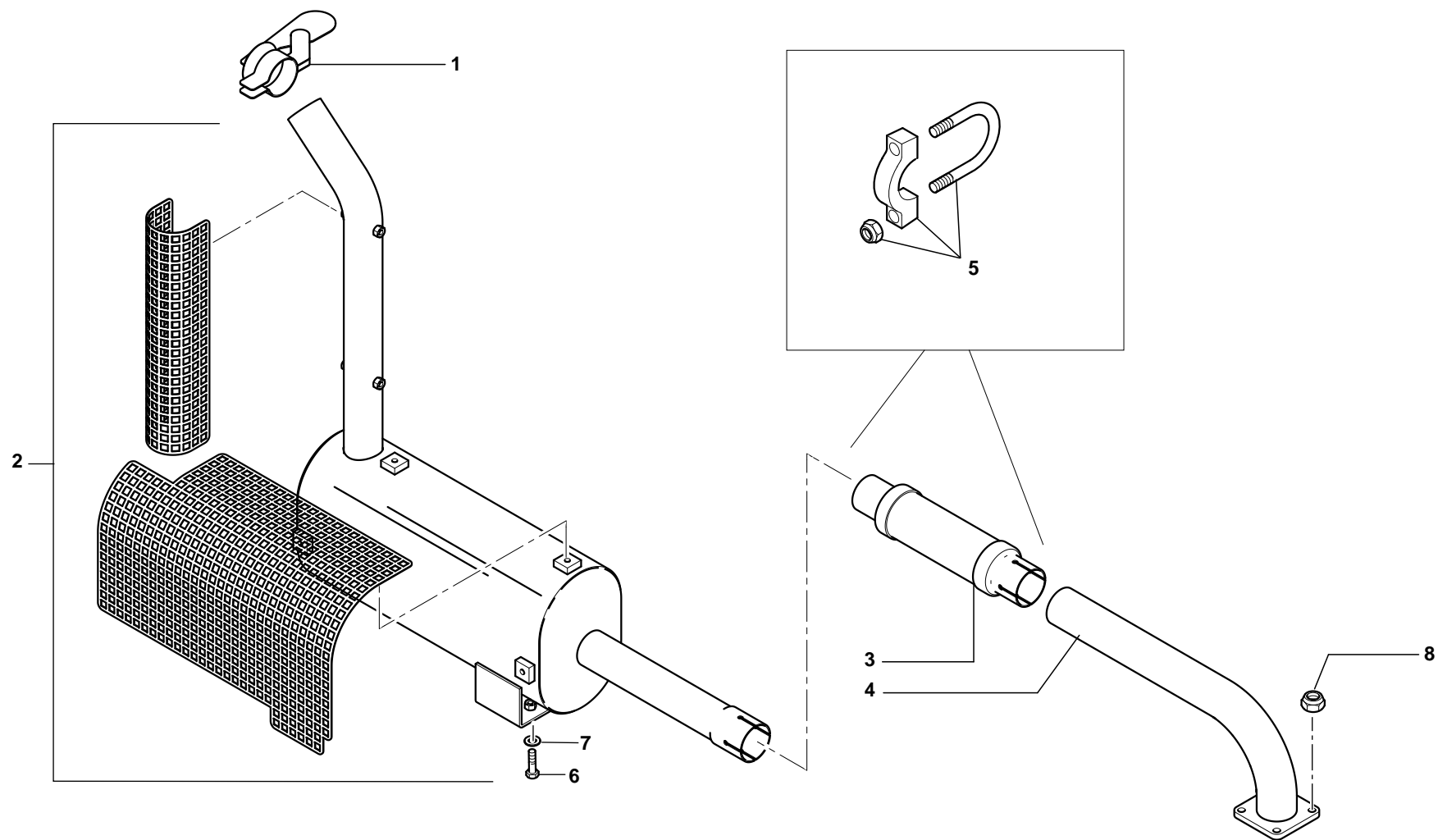
ALLESTIMENTO (OPZIONE)  
 EQUIPMENT (OPTION)  
 ÉQUIPMENT (OPTION)  
 EQUIPAMIENTO (OPCIÓN)  
 AUSRÜSTUNG (OPTION)



\* NON FORNIBILE SCIOLTO  
 \* NOT SUPPLIED SEPARATELY  
 \* NICHT EINZELN LIEFERBAR

NUMERO TAVOLA TABLE NUMBER <b>G90146</b>	VERSIONE VERSION <b>00</b> 01/10/08	CODICE MACCHINA MACHINE CODE <b>APOLLO</b> Matr. 1900		DESCRIZIONE:	FILTRO ARIA AIR FILTER FILTRE AIR FILTRO AIRE LUFTFIL TER
--	--	--	---	--------------	---

Table	Item#	Pg.	Code	Part Description - English	Part Description - French	Part Description - Italian
G90146	1	65	BHC5041	AIR FILTER	FILTRE A AIR	FILTRO ARIA
G90146	2	65	BHC5049	COVER	COUVERCLE	COPERCHIO
G90146	3	65	BHC5042	CARTRIDGE	CARTOUCHE	CARTUCCIA ESTERNA
G90146	4	65	BHC5043	CARTRIDGE	CARTOUCHE	CARTUCCIA INTERNA
G90146	5	65	BAA7205	SCREW	VIS	VITE
G90146	6	65	BAL5113	WASHER	RONDELLE	RONDELLA
G90146	7	65	BWM1554	TUBE	TUYAU	TUBO
G90146	8	65	BCN5314/0G	PREFILTER	PREFILTRE	PREFILTRO
G90146	9	65	1F.8014388	PLUG	BOUCHON	CAPPELLO
G90146	9A	65	BHC5025	PREFILTER	PREFILTRE	PREFILTRO
G90146	9B	65	BHC5026	AIR FILTER	FILTRE A AIR	FITRO ARIA AUTOPULENTE
G90146	10	65	BAA7202	SCREW	VIS	VITE
G90146	11	65	BSI1049	PUSHER	TAMPON	TAMPONE
G90146	12	65	BWF1515	CLAMP	COLLIER	FASCETTA
G90146	13	65	BSH9199	COUPLING	MANCHON	MANICOTTO
G90146	14	65	BWF1240	CLAMP	COLLIER	FASCETTA
G90146	15	65	BSH9197/F	COUPLING	MANCHON	MANICOTTO
G90146	16	65	BAG4117	NUT	ECROU	DADO
G90146	17	65	BAL5112	WASHER	RONDELLE	RONDELLA
G90146	18	65	BHC5051	FILTER CLOGGING INDICATOR	INDICATEUR DE COLMATAGE DU FILTRE	INDICATORE INTAS. FILTRO
G90146	19	65	BWF1112	CLAMP	COLLIER	FASCETTA



NUMERO TAVOLA  
TABLE NUMBER  
**G90105**

VERSIONE  
VERSION  
**00**  
01/10/08

CODICE MACCHINA  
MACHINE CODE  
**APOLLO**  
Matr. 1900

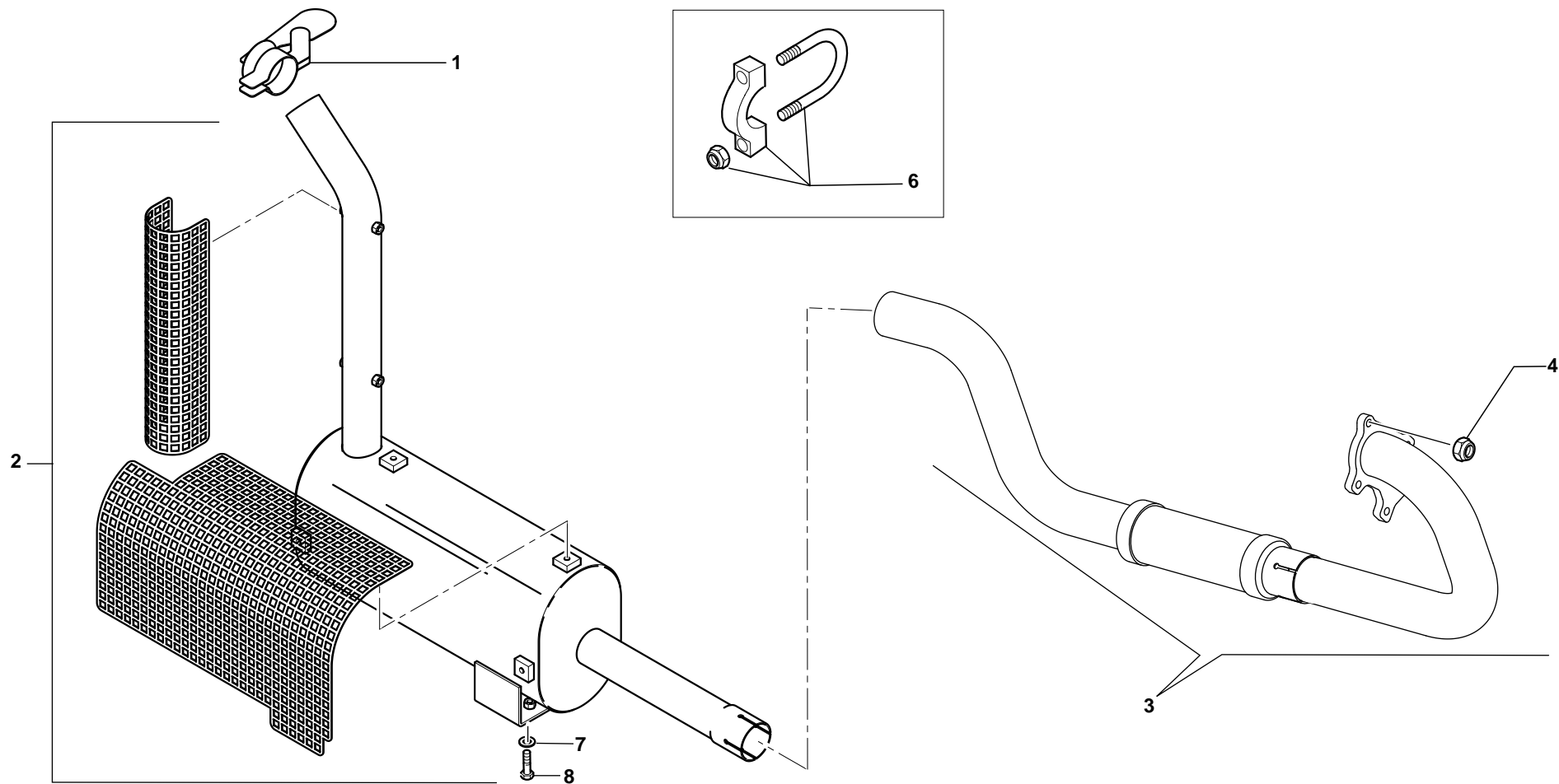


DESCRIZIONE:

MARMITTA MOTORE ASPIRATO  
MUFFLER NATURALLY ASPIRATED ENGINE  
POT D'ECHAPPEMENT MOTEUR ASPIRATION NATURELLE  
SILINCIADOR MOT OR THE ASPIRACION NATURELLE  
SCHALLDEMPFER SAUGMOTOR

Table	Item#	Pg.	Code	Part Description - English	Part Description - French	Part Description - Italian
G90105	1	66	BWM1555	UMBRELLAS	PARAPLUIES	PARAPIOGGIA
G90105	2	66	BWM0144	MUFFLER	POT D'ECHAPPEMENT	MARMITTA
G90105	3	66	BWM1341	FLEX JOINT	JOINT FLEX	GIUNTO FLEX
G90105	4	66	BWM1552	MANIFOLD	COLLECTEUR	COLLETORE
G90105	5	66	BWF1255	COLLAR	COLLIER	COLLARE DI FISSAGGIO
G90105	6	66	BAA7203	SCREW	VIS	VITE
G90105	7	66	BAL3247	WASHER	RONDELLE	RONDELLA
G90105	8	66	BAG3117	NUT	ECROU	DADO





NUMERO TAVOLA  
TABLE NUMBER  
**G90147**

VERSIONE  
VERSION  
**00**  
01/10/08

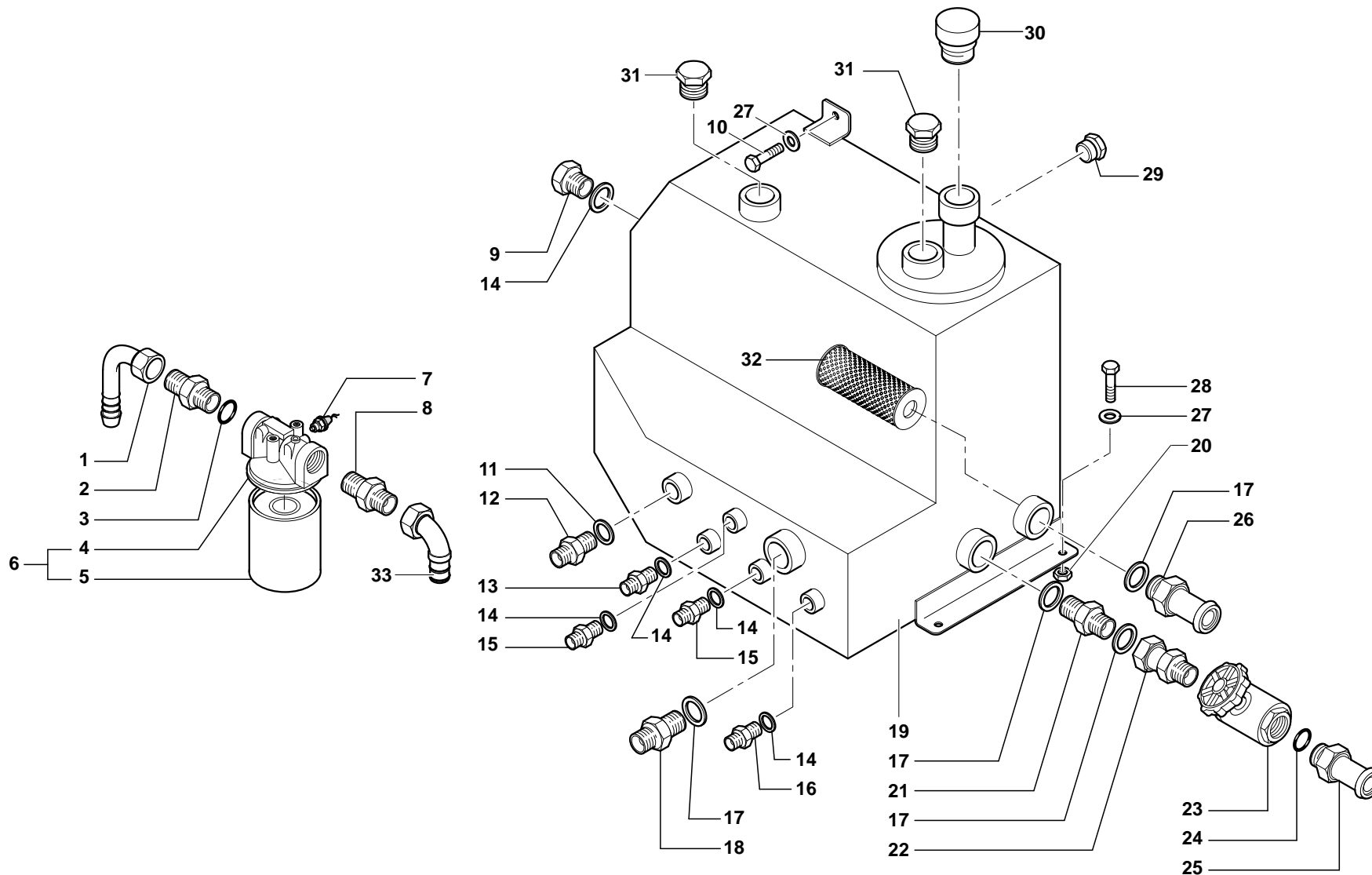
CODICE MACCHINA  
MACHINE CODE  
**APOLLO**  
Matr. 1900



DESCRIZIONE:

MARMITTA MOTORE TURBO  
MUFFLER THURBO-CHARGE ENGINE  
POT D'ECHAPPEMENT MOTEUR TURBOCOMPRESSE  
SILINCIADOR MOTOR THE SOBREALIMENTADO  
SCHALLDEMPFER TURBOMOTOR

Table	Item#	Pg.	Code	Part Description - English	Part Description - French	Part Description - Italian
G90147	1	67	BWM1555	UMBRELLAS	PARAPLUIES	PARAPIOGGIA
G90147	2	67	BWM0144	MUFFLER	POT D'ECHAPPEMENT	MARMITTA
G90147	3	67	BWM1579/0G	FLEX JOINT	JOINT FLEX	GIUNTO FLEX
G90147	4	67	BAG4117	NUT	ECROU	DADO
G90147	6	67	BWF1255	COLLAR	COLLIER	COLLARE DI FISSAGGIO
G90147	7	67	BAL3247	WASHER	RONDELLE	RONDELLA
G90147	8	67	BAA7203	SCREW	VIS	VITE



NUMERO TAVOLA  
TABLE NUMBER  
**G90106\_01**

VERSIONE  
VERSION  
**00**  
29/10/08

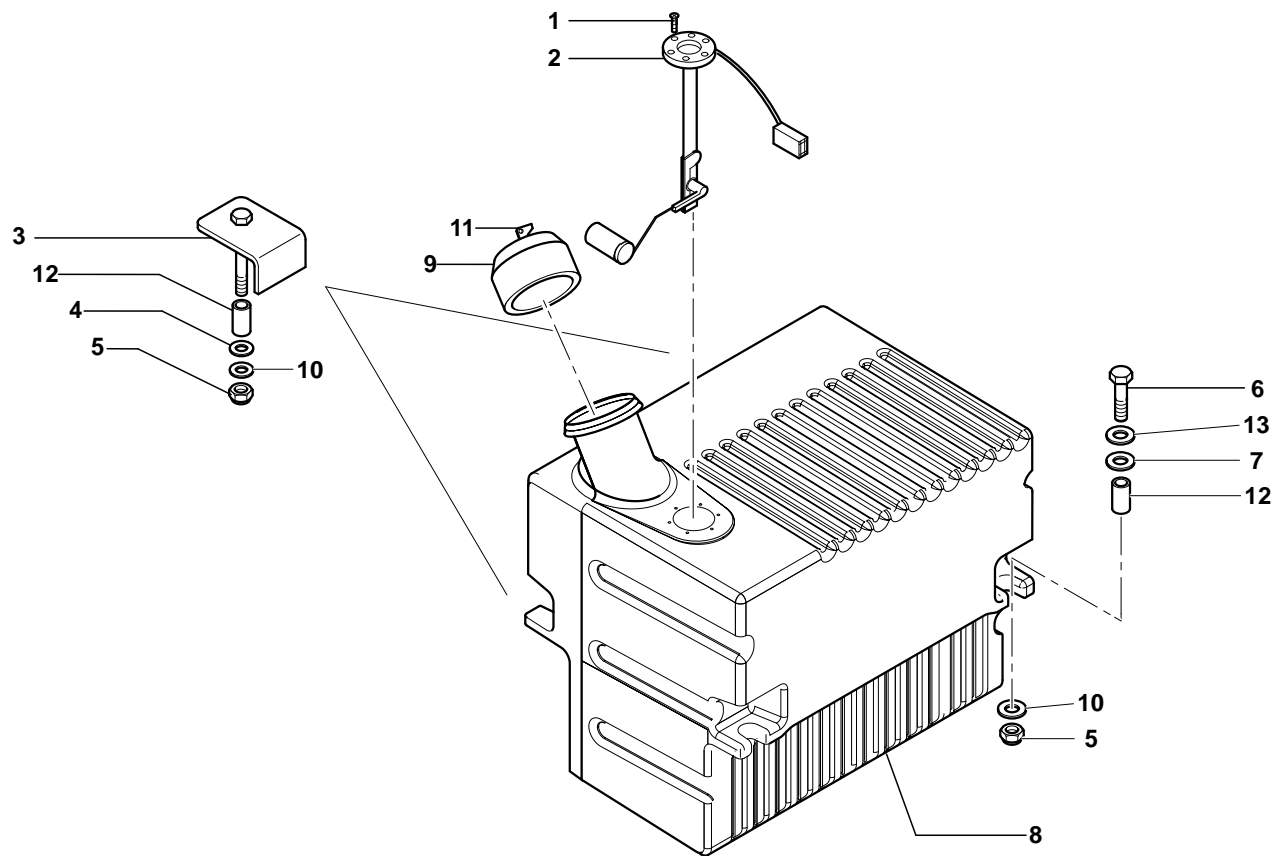
CODICE MACCHINA  
MACHINE CODE  
**APOLLO**  
Matr. 1900



DESCRIZIONE:

SERBATOIO OLIO  
OIL TANK  
RESERVOIR HUILE  
TANQUE ACEITE  
OELTANK

Table	Item#	Pg.	Code	Part Description - English	Part Description - French	Part Description - Italian
G90106_01	1	68	BHA0298	FITTING	RACCORD	CURVA PORTAGOMMA
G90106_01	2	68	BHA0176	NIPPLE	NIPPLE	NIPPLE
G90106_01	3	68	BVG2391	OR RING	JOINT OR	ANELLO-OR
G90106_01	4	68	BHC3057	PLUG	CAPUCHON	COPERCHIO
G90106_01	5	68	BHC3012	OIL CARTRIDGE	CARTOUCHE HUILE	CARTUCCIA OLIO
G90106_01	6	68	BHC0114	FILTER	FILTRE	FILTRO
G90106_01	7	68	BHC5014	INDICATOR "OIL FILTER "	INDICATEUR "FILTRE OIL "	INDICATORE INTAS. FILTRO
G90106_01	8	68	BHA0169	NIPPLE	NIPPLE	NIPPLE
G90106_01	9	68	BHA0635	PLUG	BOUCHON	TAPPO
G90106_01	10	68	BAA7262	SCREW	VIS	VITE
G90106_01	11	68	BHG4731	WASHER	RONDELLE	RONDELLA
G90106_01	12	68	BHA0132	NIPPLE	NIPPLE	NIPPLE
G90106_01	13	68	BHA0128	NIPPLE	NIPPLE	NIPPLE
G90106_01	14	68	BHG4730	WASHER	RONDELLE	RONDELLA
G90106_01	15	68	BHA0104	NIPPLE	NIPPLE	NIPPLE
G90106_01	16	68	BHA0129	CLAMP	COLLIER	FASCETTA
G90106_01	17	68	BHG4735	WASHER	RONDELLE	RONDELLA
G90106_01	18	68	BHA0141	NIPPLE	NIPPLE	NIPPLE
G90106_01	19	68	BCF3219/0D	OIL TANK	RESERVOIR HUILE	SERBATOIO OLIO
G90106_01	20	68	BAG4118	NUT	ECROU	DADO
G90106_01	21	68	BHA0168	NIPPLE	NIPPLE	NIPPLE
G90106_01	22	68	BHA1820	FITTING	RACCORD	RACCORDO GIREVOLE
G90106_01	23	68	BID1112	COCK	ROBINET	RUBINETTO
G90106_01	24	68	BVG2388	O - RING	JOINT OR	ANELLO OR
G90106_01	25	68	BHA0245	UNION RUBBER PIPE	RACCORD TUYAU FLEXIBLE	PORTAGOMMA
G90106_01	26	68	BHA0171	UNION RUBBER PIPE	RACCORD TUYAU FLEXIBLE	PORTAGOMMA
G90106_01	27	68	BAL5114	WASHER	RONDELLE	RONDELLA
G90106_01	28	68	BAA7254	SCREW	VIS	VITE
G90106_01	29	68	BHG2009	LEVEL PLUG	BOUCHON NIVEAU HUILE	TAPPO LIVELLO OLIO
G90106_01	30	68	BHG3006	PLUG	BOUCHON	TAPPO SFIATO
G90106_01	31	68	BHG3028	PLUG	BOUCHON	TAPPO
G90106_01	32	68	BHC0107	FILTER	FILTRE	FILTRO
G90106_01	33	68	BHA0295	FITTING	RACCORD	CURVA PORTAGOMMA



NUMERO TAVOLA  
TABLE NUMBER  
**G90107**

VERSIONE  
VERSION  
**00**  
01/10/08

CODICE MACCHINA  
MACHINE CODE  
**APOLLO**  
Matr. 1900




DESCRIZIONE:

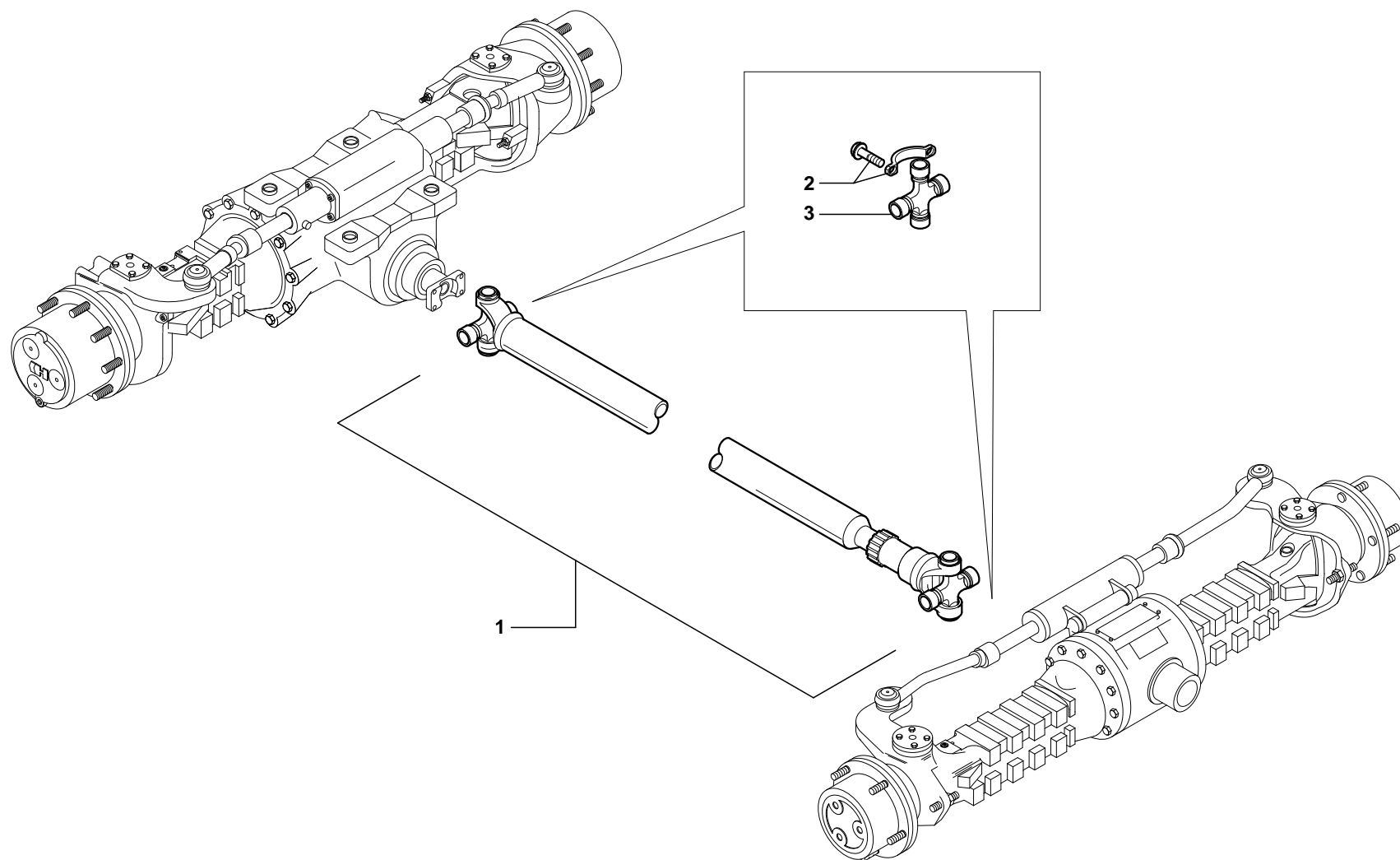
SERBATOIO GASOLIO  
FUEL TANK  
RESERVOIR  
DEPOSITO COMBUSTIBILE  
KRAFTSTOFFTANK

Table	Item#	Pg.	Code	Part Description - English	Part Description - French	Part Description - Italian
G90107	1	69	CAA1957	SCREW	VIS	VITE
G90107	2	69	BVP1689	FUEL LEVEL	NIVEAU DE CARBURANT	LIVELLO CARBURANTE
G90107	3	69	BCN9932	SUPPORT	SUPPORT	SUPPORTO
G90107	4	69	BSH9035	WASHER	RONDELLE	RONDELLA
G90107	5	69	BAG4118	NUT	ECROU	DADO
G90107	6	69	BAA7258	SCREW	VIS	VITE
G90107	7	69	BSH9035	WASHER	RONDELLE	RONDELLA
G90107	8	69	BSH0900	FUEL TANK	RESERVOIR	SERBATOIO NAFTA
G90107	9	69	BHG3032	PLUG	BOUCHON	TAPPO
G90107	10	69	BAL5114	WASHER	RONDELLE	RONDELLA
G90107	11	69	4C.114014	WRENCH	CLE	CHIAVE
G90107	12	69	PAZ2002/CL	SPACER	ENTRETOISE	DISTANZIALE
G90107	13	69	BAL5124	WASHER	RONDELLE	RONDELLA



**A**

<b>NUMERO TAVOLA</b> TABLE NUMBER <b>GA0000</b>	<b>VERSIONE</b> VERSION <b>00</b>	<b>CODICE MACCHINA</b> MACHINE CODE <b>APOLLO</b>		<b>DESCRIZIONE:</b> PONTI DIFFERENZIALI E RUOTE AXLES AND WHEELS PONTS DIFFERENTIELS ET ROUES EJES DIFERENCIAL Y RUEDAS DIFFERENTIALACHSEN UND RADER
---	---	---	---	---



NUMERO TAVOLA  
TABLE NUMBER  
**GA0207**

VERSIONE  
VERSION  
**00**  
01/10/08

CODICE MACCHINA  
MACHINE CODE  
**APOLLO**  
Matr. 1900

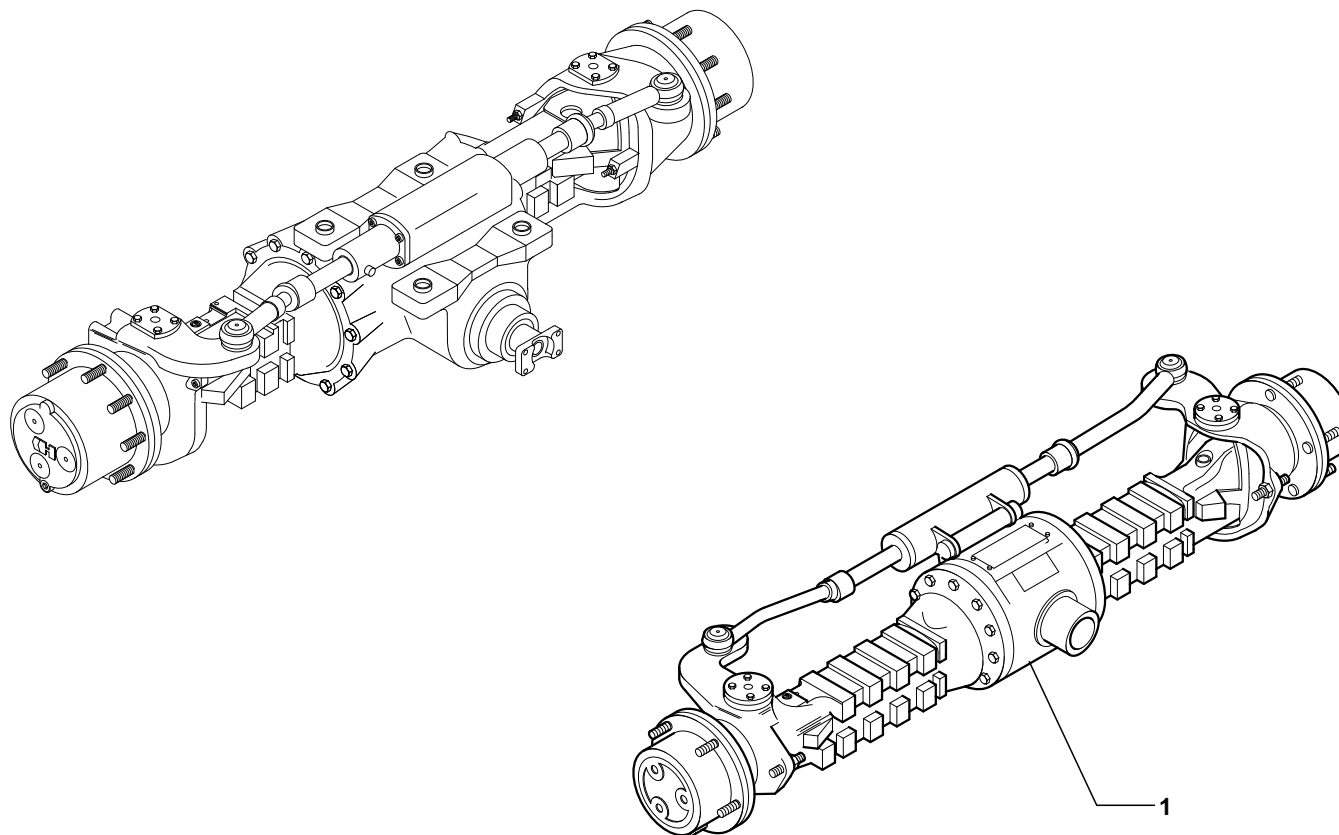


DESCRIZIONE:

ALBERI DI TRASMISSIONE  
TRANSMISSION SHAFT  
ARBRES DE TRANSMISSION  
ARBOLES DE TRANSMISSION  
GETRIEBEWELLEN



Table	Item#	Pg.	Code	Part Description - English	Part Description - French	Part Description - Italian
GA0207	1	71	BVD1388	TRANSMISSION SHAFT	ARBRE DE TRANSMISSION	ALBERO TRASMISSIONE
GA0207	2	71	BVD1502	KIT	KIT	KIT FERMO CROCERA
GA0207	3	71	BVD2003	CROSS	CROSIERE	CROCIERA



NUMERO TAVOLA  
TABLE NUMBER

**GA0208**

VERSIONE  
VERSION

**00**  
01/10/08

CODICE MACCHINA  
MACHINE CODE

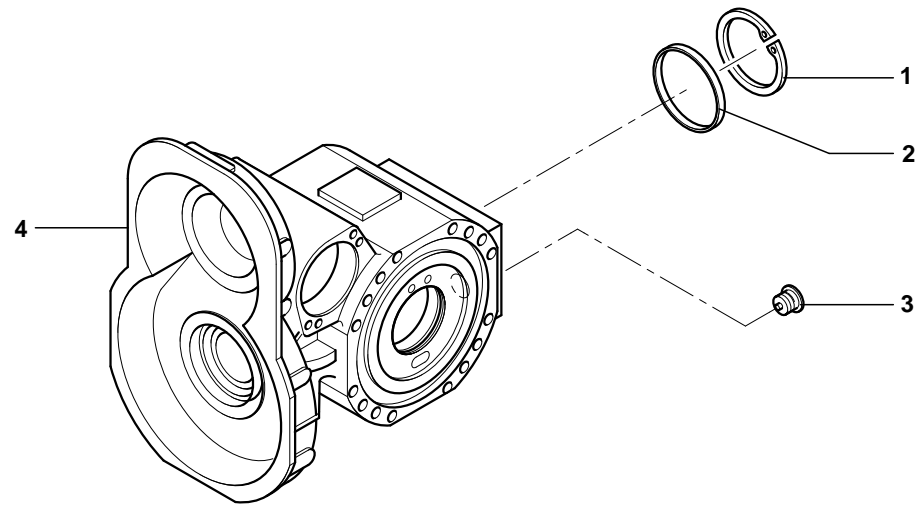
**APOLLO**  
Matr. 1900



DESCRIZIONE:

PONTE DIFFERENZIALE ANTERIORE  
FRONT AXLE  
PONT.DIFF. ANTERIEUR  
PUENTE DIF. DELANTERO  
ACHSE VORN

Table	Item#	Pg.	Code	Part Description - English	Part Description - French	Part Description - Italian
GA0208	1	72	5H.60321168	FRONT AXLE	PONTE DIFF. ANTERIEUR	PONTE DIFFERENZIALE ANTERIORE



NUMERO TAVOLA  
TABLE NUMBER  
**GA0209**

VERSIONE  
VERSION  
**00**  
01/10/08

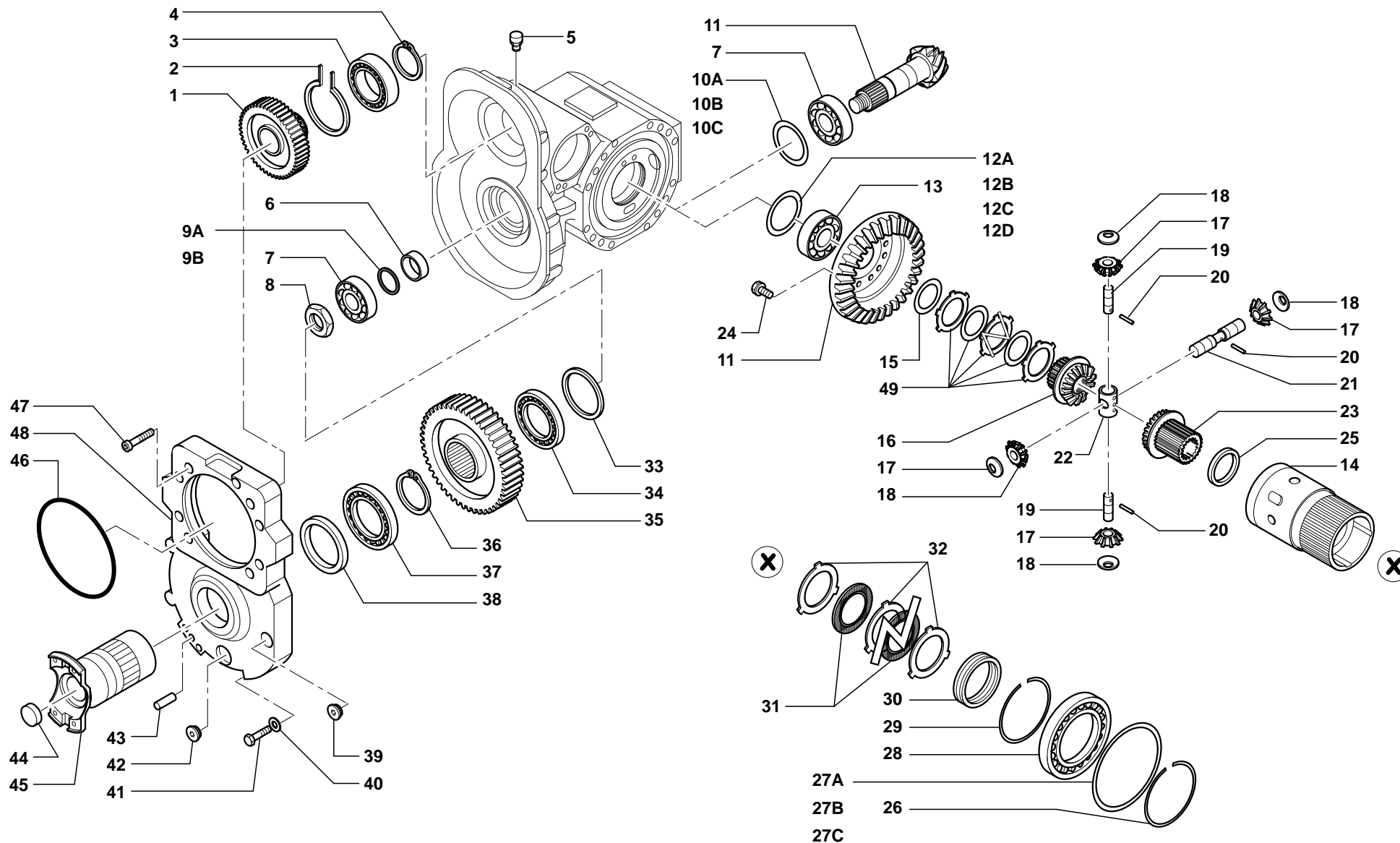
CODICE MACCHINA  
MACHINE CODE  
**APOLLO**  
Matr. 1900



DESCRIZIONE:

SCATOLA DIFFERENZIALE ANTERIORE  
FRONT AXLE CARRIER  
CARTER DIFFERENTIEL ANTERIEUR  
CAJADIFERENCIAL DELANTERO  
DIFFERENTIALGEHAUSE

Table	Item#	Pg.	Code	Part Description - English	Part Description - French	Part Description - Italian
GA0209	1	73	5H.002020088	CIRCLIP	ARRETOIR	ANELLO DI SICUREZZA
GA0209	2	73	5H.1710101504	PLUG	BOUCHON	TAPPO
GA0209	3	73	5H.3551461102	MAGNETIC PLUG	BOUCHON MAGNETIQUE	TAPPO MAGNETICO
GA0209	4	73	5H.2110100301	HOUSING	CARTER	SCATOLA



NUMERO TAVOLA  
TABLE NUMBER  
**GA0210**

VERSIONE  
VERSION  
**00**  
01/10/08

CODICE MACCHINA  
MACHINE CODE  
**APOLLO**  
Matr. 1900



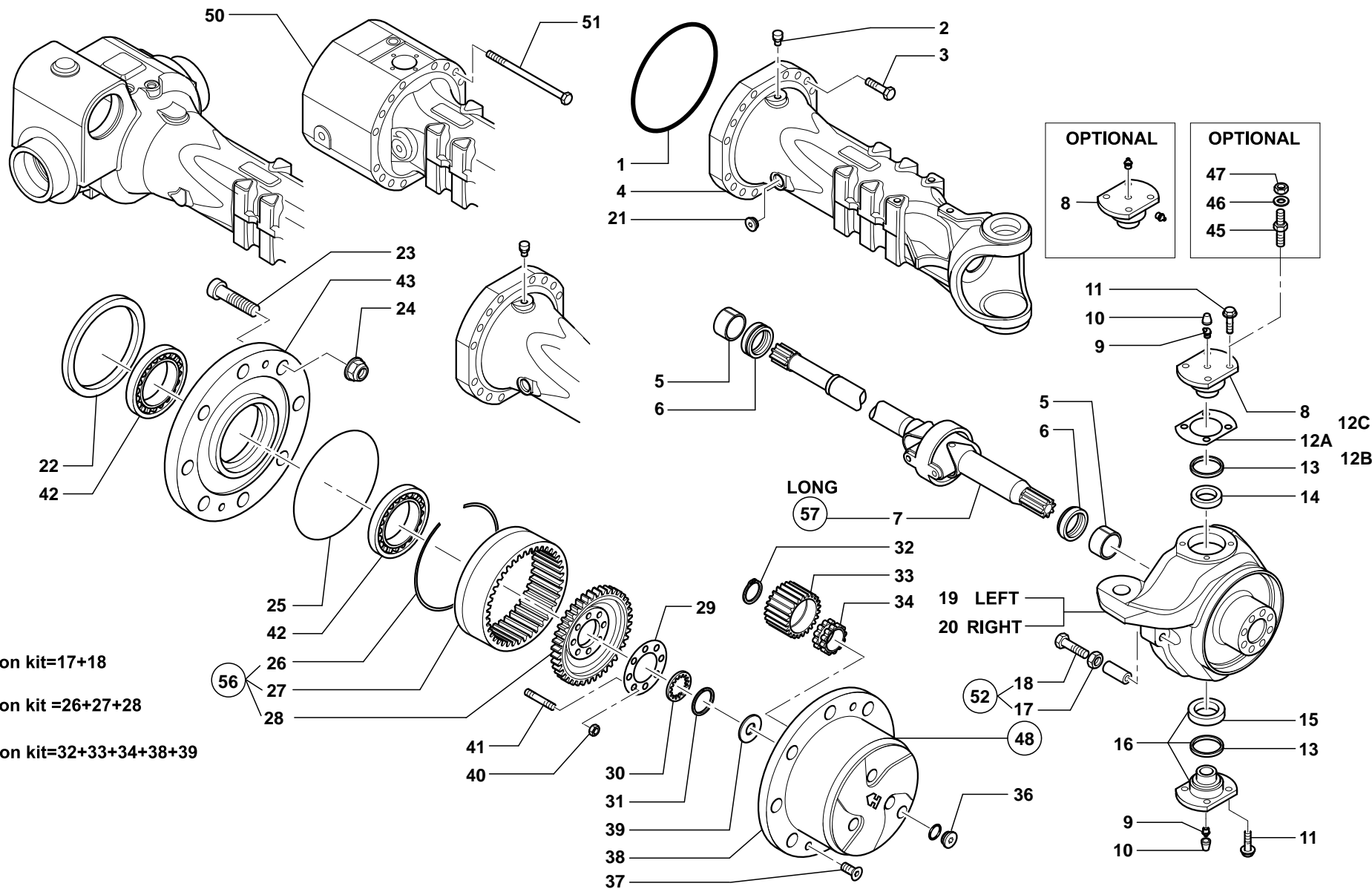
DESCRIZIONE:

DIFFERENZIALE ANTERIORE  
FRONT AXLE COMPONENTS  
DIFFERENTIAL ANTERIEUR  
DIFERENCIAL DELANTERO  
DIFFERENTIAL

Table	Item#	Pg.	Code	Part Description - English	Part Description - French	Part Description - Italian
GA0210	1	74	5H.2111400103	GEAR	ENGRANAGE	INGRANAGGIO
GA0210	2	74	5H.2111400501	CIRCLIP	ARRETOIR	ANELLO DI SICUREZZA
GA0210	3	74	5H.005010124	BALL BEARING	ROULEMENT A BILLES	CUSCINETTO A SFERE
GA0210	4	74	5H.002010535	CIRCLIP	ARRETOIR	ANELLO DI SICUREZZA
GA0210	5	74	5H.1120101801	VENT	RENIFLARD	TAPPO SFIATO
GA0210	6	74	5H.1110403801	SPACER	ENTRETOISE	DISTANZIALE
GA0210	7	74	5H.005092938	BEARING	ROULEMENT	CUSCINETTO
GA0210	8	74	5H.2110400501	RING NUT	ECROU	GHIERA
GA0210	11	74	5H.1110450007	CROWNWHEEL/PINION	COUPLE CONIQUE	COPPIA CONICA
GA0210	13	74	5H.005090496	TAPER ROLLER BEARING	ROULEMENT A R. CONIQUES	CUSCINETTO A RULLI CONICI
GA0210	14	74	5H.1110405604	DIFFERENTIAL CARRIER	CARTER DIFFERENTIEL	SCATOLA DIFFERENZIALE
GA0210	15	74	5H.1710401101	SHIM	CHAPAGE	RONDELLA DI RASAMENTO
GA0210	16	74	5H.1110405902	DIFFERENTIAL SIDE GEAR	PLANETAIRE	PLANETARIO
GA0210	17	74	5H.1710400401	DIFFERENTIAL PINION	SATELLITE	SATELLITE
GA0210	18	74	5H.1710401201	SHIM	CHAPAGE	RONDELLA DI RASAMENTO
GA0210	19	74	5H.1110403401	PIN	AXE	PERNO
GA0210	20	74	5H.014033539	DOWEL	BROCHE	SPINA
GA0210	21	74	5H.1110403301	PIN	AXE	PERNO
GA0210	22	74	5H.1110403202	CROSS	CROISIERE	CROCIERA
GA0210	23	74	5H.1110402603	DIFFERENTIAL SIDE GEAR	PLANETAIRE	PLANETARIO
GA0210	24	74	5H.016283658	SCREW	VIS	VITE
GA0210	25	74	5H.1110406001	SHIM	CHAPAGE	RONDELLA DI RASAMENTO
GA0210	26	74	5H.002053540	CIRCLIP	BAGUE DE SECURITE	ANELLO DI SICUREZZA
GA0210	28	74	5H.005103166	BEARING	ROULEMENT	CUSCINETTO
GA0210	29	74	5H.002063536	CIRCLIP	BAGUE DE SECURITE	ANELLO DI SICUREZZA
GA0210	30	74	5H.005452335	BEARING	ROULEMENT	CUSCINETTO
GA0210	31	74	5H.1110404501	DISC	DISQUE	DISCO FRIZIONE
GA0210	32	74	5H.000727330	DISC	DISQUE	DISCO FRIZIONE INTERMEDIO
GA0210	33	74	5H.001030032	SEAL RING	JOINT D'ETANCHEITE	ANELLO DI TENUTA
GA0210	34	74	5H.005010126	BALL BEARING	ROULEMENT A BILLES	CUSCINETTO A SFERE
GA0210	35	74	5H.2111400201	GEAR	ENGRANAGE	INGRANAGGIO
GA0210	36	74	5H.002010754	CIRCLIP	ARRETOIR	ANELLO DI SICUREZZA
GA0210	37	74	5H.005010623	BALL BEARING	ROULEMENT A BILLES	CUSCINETTO A SFERE
GA0210	38	74	5H.001033588	SEAL RING	JOINT D'ETANCHEITE	ANELLO DI TENUTA
GA0210	39	74	5H.3551461001	PLUG	BOUCHON	TAPPO
GA0210	40	74	5H.011010223	SPRING WASHER	RONDELLE ELASTIQUE	ROSETTA ELASTICA
GA0210	41	74	5H.016030897	SCREW	VIS	VITE
GA0210	42	74	5H.3551461102	MAGNETIC PLUG	BOUCHON MAGNETIQUE	TAPPO MAGNETICO
GA0210	43	74	5H.014020982	PIN	EPINE	SPINA
GA0210	44	74	5H.015032884	PLUG	BOUCHON	TAPPO
GA0210	45	74	5H.2110400401	FLANGE	BRIDE	FLANGIA
GA0210	46	74	5H.001051487	O - RING	JOINT OR	ANELLO OR
GA0210	47	74	5H.016040728	CYLINDER BOLT	VIS A TETE CYLINDRIQUE	VITE A TESTA CILINDRICA
GA0210	48	74	5H.2111400301	COVER	COUVERCLE	COPERCHIO
GA0210	49	74	5H.1110461001	DISC	DISQUE	DISCO FRIZIONE

Table	Item#	Pg.	Code	Part Description - English	Part Description - French	Part Description - Italian
GA0210	10A	74	5H.013011549	SHIM	CALE	SPESSORE
GA0210	10B	74	5H.013011550	SHIM	CALE	SPESSORE
GA0210	10C	74	5H.013011551	SHIM	CALE	SPESSORE
GA0210	12A	74	5H.013011475	SHIM	CALE	SPESSORE
GA0210	12B	74	5H.013013288	SHIM	CALE	SPESSORE
GA0210	12C	74	5H.013013289	SHIM	CALE	SPESSORE
GA0210	12D	74	5H.013013290	SHIM	CALE	SPESSORE
GA0210	27A	74	5H.000345621	SHIM	CALE	SPESSORE
GA0210	27B	74	5H.000345622	SHIM	CALE	SPESSORE
GA0210	27C	74	5H.000345623	SHIM	CALE	SPESSORE
GA0210	9A	74	5H.3151400910	RING	BAGUE	ANELLO
GA0210	9B	74	5H.3151401004	RING	BAGUE	ANELLO





- 52 Position kit=17+18
- 56 Position kit =26+27+28
- 48 Position kit=32+33+34+38+39


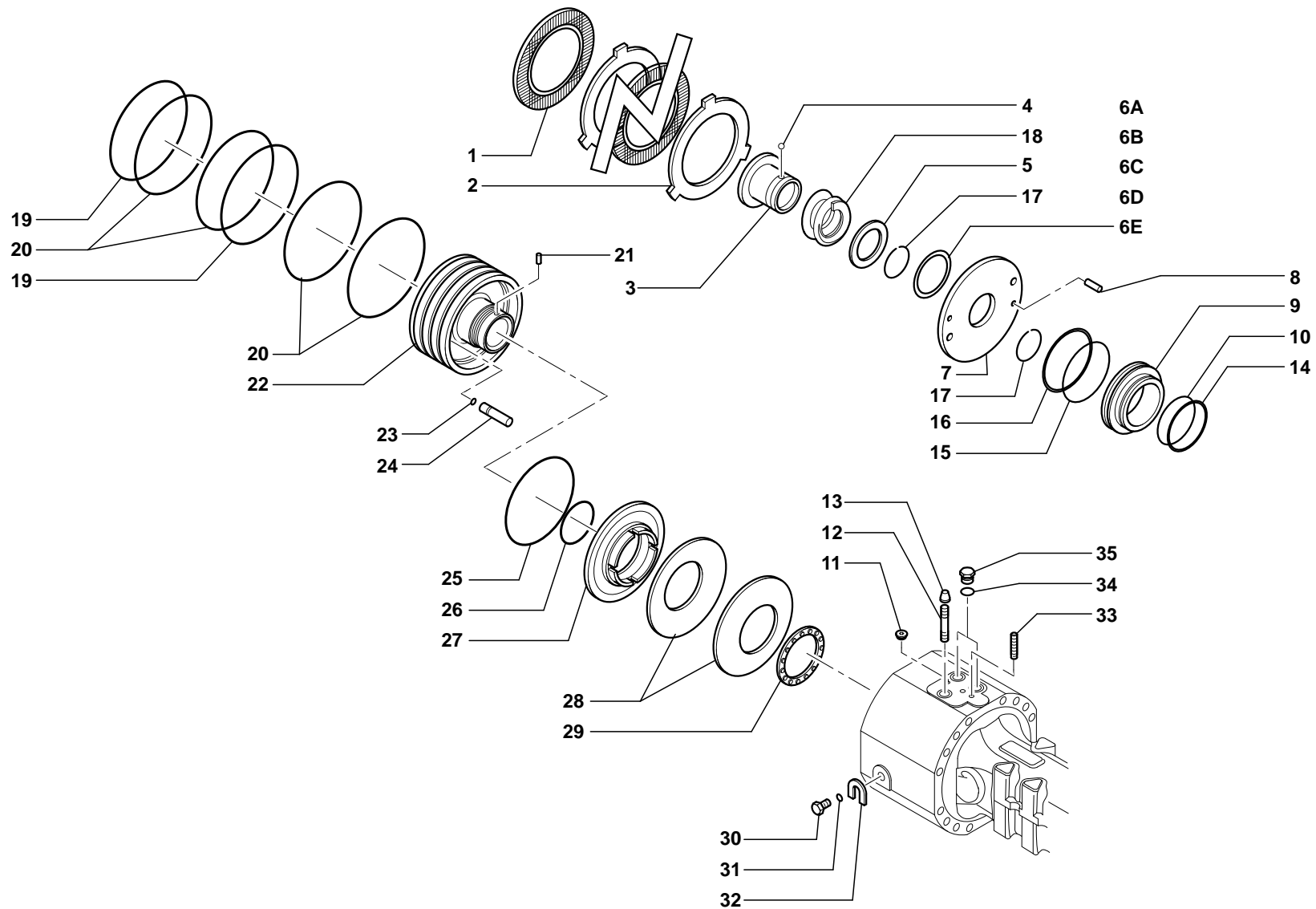
NUMERO TAVOLA TABLE NUMBER <b>GA0211</b>	VERSIONE VERSION <b>00</b> 01/10/08	CODICE MACCHINA MACHINE CODE <b>APOLLO</b> Matr. 1900		DESCRIZIONE: RIDUZIONE EPICICLOIDALE REDUCTION EPICICLOIDALE REDUCTION EPICICLOIDALE REDUCCION EPICICLOIDALE VERKLEINERUNG EPICICLOIDALE
--	--	--	---	---

Table	Item#	Pg.	Code	Part Description - English	Part Description - French	Part Description - Italian
GA0211	1	75	5H.001051037	O - RING	JOINT OR	ANELLO OR
GA0211	2	75	5H.1120101801	VENT	RENIFLARD	TAPPO SFIATO
GA0211	3	75	5H.016031317	SCREW	VIS	VITE
GA0211	4	75	5H.2110602801	ARM	BRAS	BRACCIO
GA0211	5	75	5H.2110601701	BEARING	COUSSINET	BRONZINA
GA0211	6	75	5H.2110602001	DUST EXCLUDER	BAGUE ANTI POUSSIERE	ANELLO DI TENUTA
GA0211	7	75	5H.2110661103	JOINT	JOINT	GIUNTO
GA0211	8	75	5H.2110601202	PIVOT PIN	PIVOT DE ROTULE	PERNO SNODO
GA0211	9	75	BWI1128	GREASER	GRAISSEUR	INGRASSATORE
GA0211	10	75	5H.7340701501	PLUG	BOUCHON	TAPPO
GA0211	11	75	5H.016283390	SCREW	VIS	VITE
GA0211	13	75	5H.2110601901	SEAL	JOINT D'ETANCHEITE	ANELLO DI TENUTA
GA0211	14	75	5H.2120600602	BUSHING	DOUILLE	BOCCOLA
GA0211	15	75	5H.2780602801	PIVOT PIN	PIVOT DE ROTULE	SNODO
GA0211	16	75	5H.2110670101	PIVOT PIN	PIVOT DE ROTULE	PERNO SNODO
GA0211	17	75	5H.006051521	NUT	ECROU	DADO
GA0211	18	75	5H.2130601101	SCREW	VIS	VITE
GA0211	19	75	5H.2110671503	STEERING CASE	BOITIER DE LA ROTULE	SCATOLA SNODO
GA0211	20	75	5H.2110671403	STEERING CASE	BOITIER DE LA ROTULE	SCATOLA SNODO
GA0211	21	75	5H.3551461001	PLUG	BOUCHON	TAPPO
GA0211	22	75	5H.1230601601	SEAL	JOINT D'ETANCHEITE	ANELLO DI TENUTA
GA0211	23	75	5H.7020601703	HOLLOW STUD	COLONNETTE	COLONNETTA
GA0211	24	75	5H.006081321	WHEEL NUT	ECROU DEMI-SPHERIQUE	DADO A SEDE SFERICA
GA0211	25	75	BVG2233	O - RING	JOINT OR	ANELLO OR
GA0211	26	75	5H.002063193	CIRCLIP	ARRETOIR	ANELLO DI SICUREZZA
GA0211	27	75	5H.1120600504	RING GEAR	COURONNE DENTEE	CORONA DENTATA
GA0211	28	75	5H.1110600502	RING GEAR SUPPORT	SUPPORT PORTE COURONNE	SUPPORTO PORTA CORONA
GA0211	29	75	5H.1110600701	LOCKING PLATE	TOLE DE SECURITE	LAMIERA DI SICUREZZA
GA0211	30	75	5H.2110602402	RING	BAGUE	ANELLO
GA0211	31	75	5H.002051470	CIRCLIP	ARRETOIR	ANELLO DI SICUREZZA
GA0211	32	75	5H.002143191	CIRCLIP	ARRETOIR	ANELLO DI SICUREZZA
GA0211	33	75	5H.1120600603	DIFFERENTIAL PINION	SATELLITE	SATELLITE
GA0211	34	75	5H.1120600802	BEARING	ROULEMENT	CUSCINETTO
GA0211	36	75	5H.1120161001	PLUG	BOUCHON	TAPPO
GA0211	37	75	5H.016060442	SCREW	VIS	VITE
GA0211	38	75	5H.1120605004	PLANET GEAR CARRIER	SUPPORT SATELLITES	SUPPORTO SATELLITI
GA0211	39	75	5H.1120601702	SHIM	CHAPAGE	RONDELLA DI RASAMENTO
GA0211	40	75	5H.006022961	NUT	ECROU	DADO
GA0211	41	75	5H.1110600601	STUD	GOUJON	PRIGIONIERO
GA0211	42	75	5H.005101380	BEARING	ROULEMENT	CUSCINETTO
GA0211	43	75	5H.2110601001	HUB WHEEL	MOYEU ROUE	MOZZO RUOTA
GA0211	45	75	5H.2230601301	STUD	GOUJON	PRIGIONIERO
GA0211	46	75	5H.011051247	SCREW	VIS	RONDELLA
GA0211	47	75	5H.006023451	NUT	ECROU	DADO
GA0211	48	75	5H.2120671019	PLANET GEAR CARRIER	SUPPORT SATELLITES	SUPPORTO SATELLITI

Table	Item#	Pg.	Code	Part Description - English	Part Description - French	Part Description - Italian
GA0211	50	75	5H.2110602706	ARM	BRAS	BRACCIO
GA0211	51	75	5H.016033541	SCREW	VIS	VITE A TESTA ESAGONALE
GA0211	52	75	5H.2130671101	SCREW	VIS	VITE
GA0211	56	75	5H.1110670502	RING GEAR SUPPORT	SUPPORT PORTE COURONNE	SUPPORTO PORTA CORONA
GA0211	12A	75	5H.2110601301	SHIM	CALE	SPESSORE
GA0211	12B	75	5H.2110601302	SHIM	CALE	SPESSORE
GA0211	12C	75	5H.2110601303	SHIM	CALE	SPESSORE



NUMERO TAVOLA  
TABLE NUMBER  
**GA0212**

VERSIONE  
VERSION  
**00**  
01/10/08

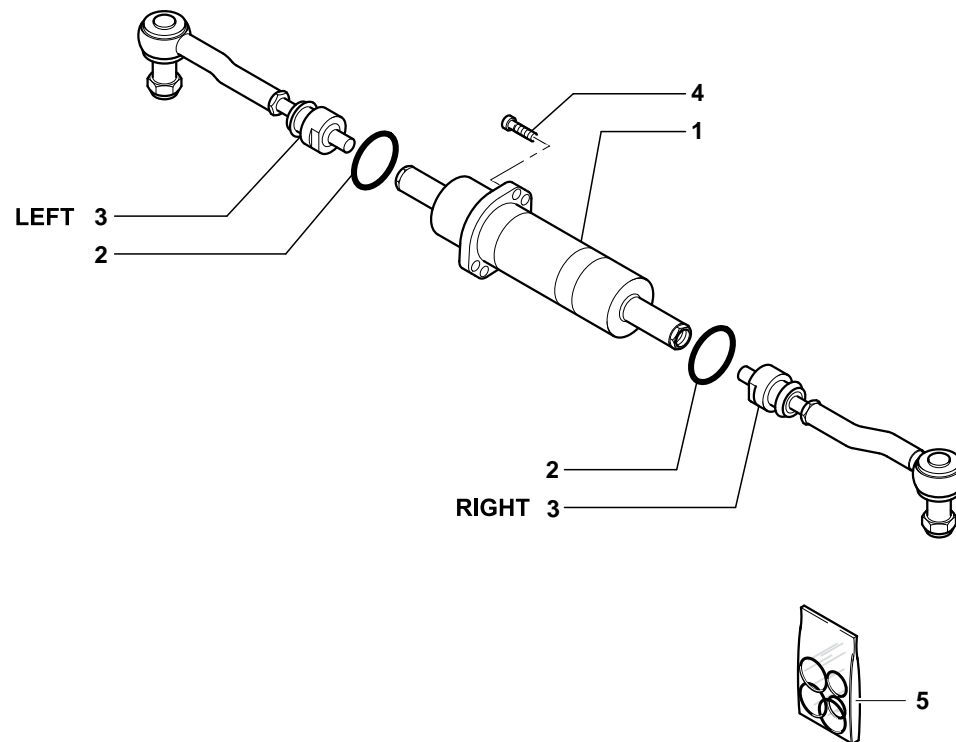
CODICE MACCHINA  
MACHINE CODE  
**APOLLO**  
Matr. 1900



DESCRIZIONE:

FRENO A DISCHI  
BRAKE DISC  
DISQUE DE FREIN  
DISCO FRENO  
BREMSSCHEIBE

Table	Item#	Pg.	Code	Part Description - English	Part Description - French	Part Description - Italian
GA0212	1	76	5H.1120761102	BRAKE DISC	DISQUE DE FREIN	DISCO FRENO
GA0212	2	76	5H.1110701503	INTERMEDIATE BRAKE DISK	DISQUE FREIN INTERMEDIAIRE	DISCO FRENO INTERMEDIO
GA0212	3	76	5H.1110403004	SLEEVE	DOUILLE	BUSSOLA
GA0212	4	76	5H.012010249	BAL	SPHERE	SFERA
GA0212	5	76	5H.1110402902	SPACER	ENTRETOISE	DISTANZIALE
GA0212	7	76	5H.1110702203	INTERMEDIATE BRAKE DISK	DISQUE FREIN INTERMEDIAIRE	DISCO FRENO INTERMEDIO
GA0212	8	76	5H.014033601	SPRING PIN	BROCHE ELASTIQUE	SPINA ELASTICA
GA0212	9	76	5H.1110702002	PISTON	PISTON	PISTONE
GA0212	10	76	5H.001050691	O - RING	JOINT OR	ANELLO OR
GA0212	11	76	5H.016141177	BOLT	VIS	VITE DI CHIUSURA
GA0212	12	76	5H.7340701401	BLEEDING BOLT	VIS DE PURGE	VITE SPURGO
GA0212	13	76	5H.7340701501	PLUG	BOUCHON	TAPPO
GA0212	14	76	5H.1110701601	BACK-UP RING	BAGUE ANTI-EXTRUSION	ANELLO ANTIESTRUSIONE
GA0212	15	76	5H.7380710201	O - RING	JOINT OR	ANELLO OR
GA0212	16	76	5H.7380710401	BACK-UP RING	BAGUE ANTI-EXTRUSION	ANELLO ANTIESTRUSIONE
GA0212	17	76	5H.002053599	CIRCLIP	ARRETOIR	ANELLO DI SICUREZZA
GA0212	18	76	5H.1110403103	SPRING	RESSORT	MOLLA
GA0212	19	76	5H.1830700301	BACK-UP RING	BAGUE ANTI-EXTRUSION	ANELLO ANTIESTRUSIONE
GA0212	20	76	5H.001050808	O - RING	JOINT OR	ANELLO OR
GA0212	21	76	5H.014033539	DOWEL	BROCHE	SPINA
GA0212	22	76	5H.1110701402	PISTON	PISTON	PISTONE
GA0212	23	76	5H.001050933	O - RING	JOINT OR	ANELLO OR
GA0212	24	76	5H.1110702101	PIN	AXE	PERNO
GA0212	25	76	5H.001050807	O - RING	JOINT OR	ANELLO OR
GA0212	26	76	5H.001051620	O - RING	JOINT OR	ANELLO OR
GA0212	27	76	5H.1110701801	PISTON	PISTON	PISTONE
GA0212	28	76	5H.7380710001	SPRING	RESSORT	MOLLA
GA0212	29	76	5H.1110702601	RING NUT	ECROU	GHIERA
GA0212	30	76	5H.1110702403	SCREW	VIS	VITE
GA0212	31	76	5H.001051238	O - RING	JOINT OR	ANELLO OR
GA0212	32	76	5H.1110702502	SPACER	ENTRETOISE	DISTANZIALE
GA0212	33	76	5H.016090451	DOWEL PIN	ERGOT DE POSITION	GRANO FILETTATO
GA0212	34	76	5H.011071215	SEAL WASHER	-	ROSETTA DI TENUTA
GA0212	35	76	5H.016101441	SCREW	VIS	VITE
GA0212	6A	76	5H.013010311	SHIM	CALE	SPESSORE
GA0212	6B	76	5H.013010313	SHIM	CALE	SPESSORE
GA0212	6C	76	5H.013010314	SHIM	CALE	SPESSORE
GA0212	6D	76	5H.013011241	SHIM	CALE	SPESSORE
GA0212	6E	76	5H.013013177	SHIM	CALE	SPESSORE



NUMERO TAVOLA  
TABLE NUMBER  
**GA0213**

VERSIONE  
VERSION  
**00**  
01/10/08

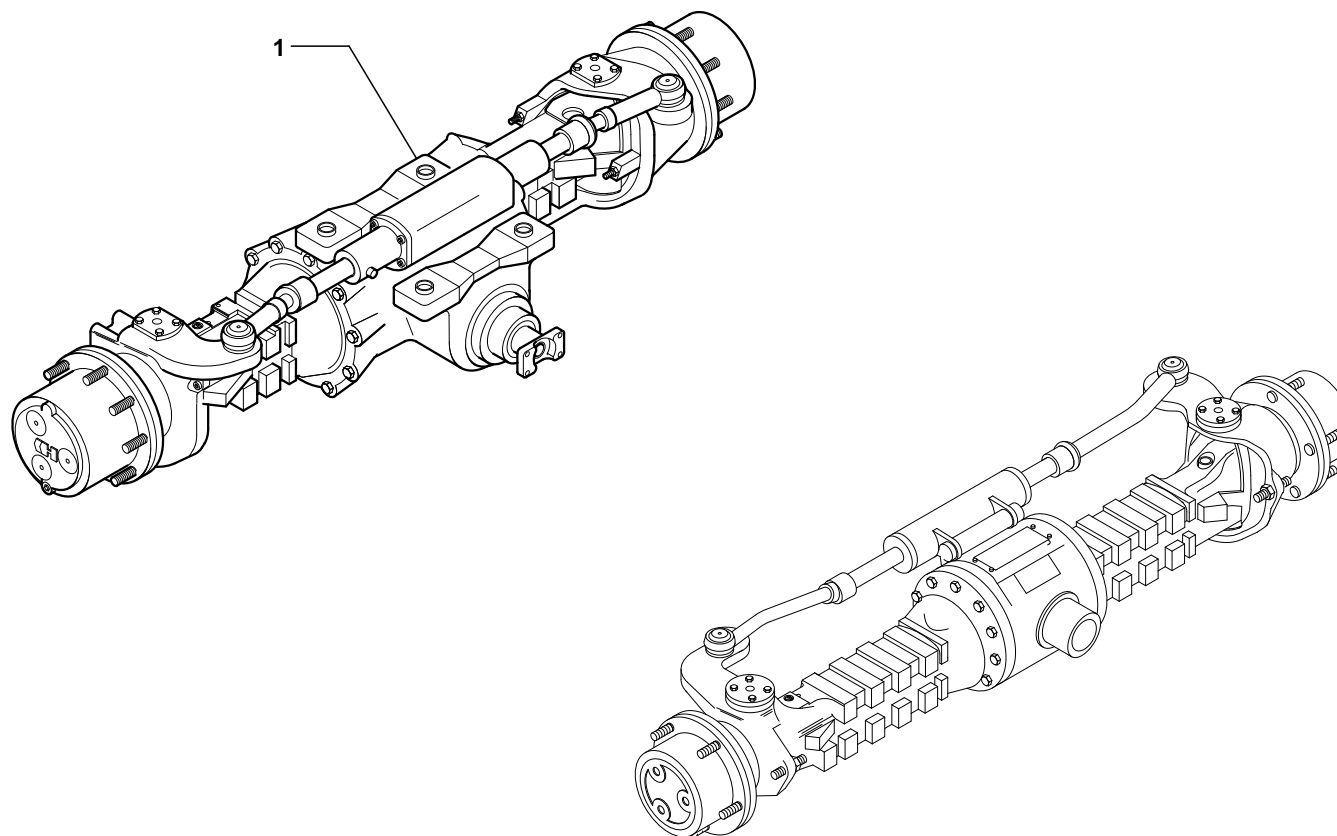
CODICE MACCHINA  
MACHINE CODE  
**APOLLO**  
Matr. 1900



DESCRIZIONE:

BARRE STERZO E CILINDRO ANTERIORE  
BARS AND STEERING CYLINDER FRONT  
BARS ET DIRECTION CYLINDRE AVANT  
BARES Y DIRECCION DELANTERA DEL CILINDRO  
BARS UND LENKZYLINDER FRONT

Table	Item#	Pg.	Code	Part Description - English	Part Description - French	Part Description - Italian
GA0213	1	77	5H.2112462312	CYLINDER	CILINDRE	CILINDRO
GA0213	2	77	5H.001051548	RING	BAGUE	ANELLO
GA0213	3	77	5H.2112462411	ARTICULATED TIE ROD	TIGE AXIALE ARTICULEE	ASTA ASSIALE ARTICOLATA
GA0213	4	77	5H.016040728	CYLINDER BOLT	VIS A TETE CYLINDRIQUE	VITE A TESTA CILINDRICA
GA0213	5	77	5H.2112445004	GASKET KIT	KIT DE JOINTS	KIT GUARNIZIONI



NUMERO TAVOLA  
TABLE NUMBER

**GA0214**

VERSIONE  
VERSION

**00**  
01/10/08

CODICE MACCHINA  
MACHINE CODE

**APOLLO**  
Matr. 1900

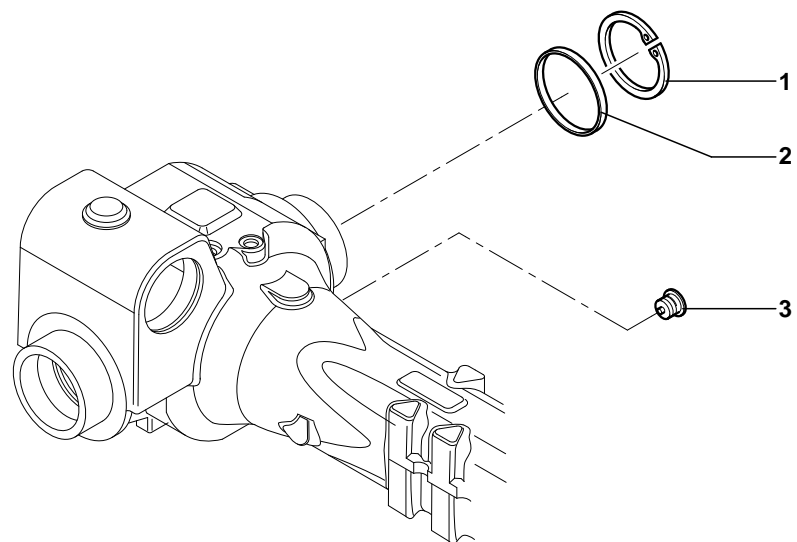


DESCRIZIONE:

**PONTE DIFFERENZIALE POSTERIORE**  
REAR AXLE  
PONT.DIFF. ARRIERE  
PUENTE DIF. TRASERO  
ACHSE HINTEN



Table	Item#	Pg.	Code	Part Description - English	Part Description - French	Part Description - Italian
GA0214	1	78	5H.22182	REAR AXLE	PONT DIFF.	PONTE DIFFERENZIALE POSTERIORE



NUMERO TAVOLA  
TABLE NUMBER

**GA0215**

VERSIONE  
VERSION

**00**  
01/10/08

CODICE MACCHINA  
MACHINE CODE

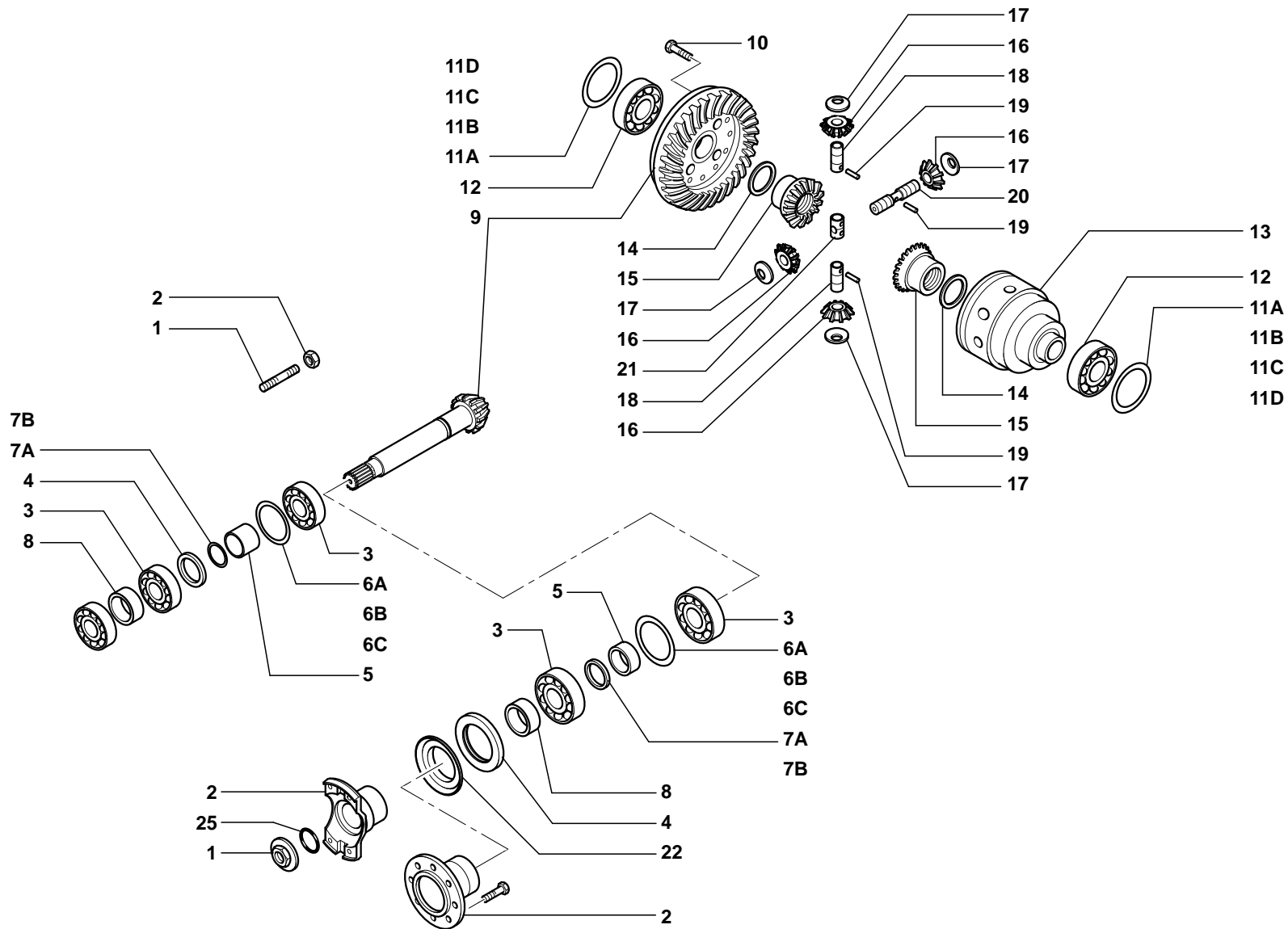
**APOLLO**  
Matr. 1900



DESCRIZIONE:

SCATOLA DIFFERENZIALE POSTERIORE  
REAR AXLE CARRIER  
CARTER DIFFERENTIEL ARRIERE  
CAJADIFERENCIAL TRASERO  
DIFFERENTIALHINTEN

Table	Item#	Pg.	Code	Part Description - English	Part Description - French	Part Description - Italian
GA0215	1	79	5H.002020088	CIRCLIP	ARRETOIR	ANELLO DI SICUREZZA
GA0215	2	79	5H.1710101504	PLUG	BOUCHON	TAPPO
GA0215	3	79	5H.3551461102	MAGNETIC PLUG	BOUCHON MAGNETIQUE	TAPPO MAGNETICO



NUMERO TAVOLA  
TABLE NUMBER  
**GA0216**

VERSIONE  
VERSION  
**00**  
01/10/08

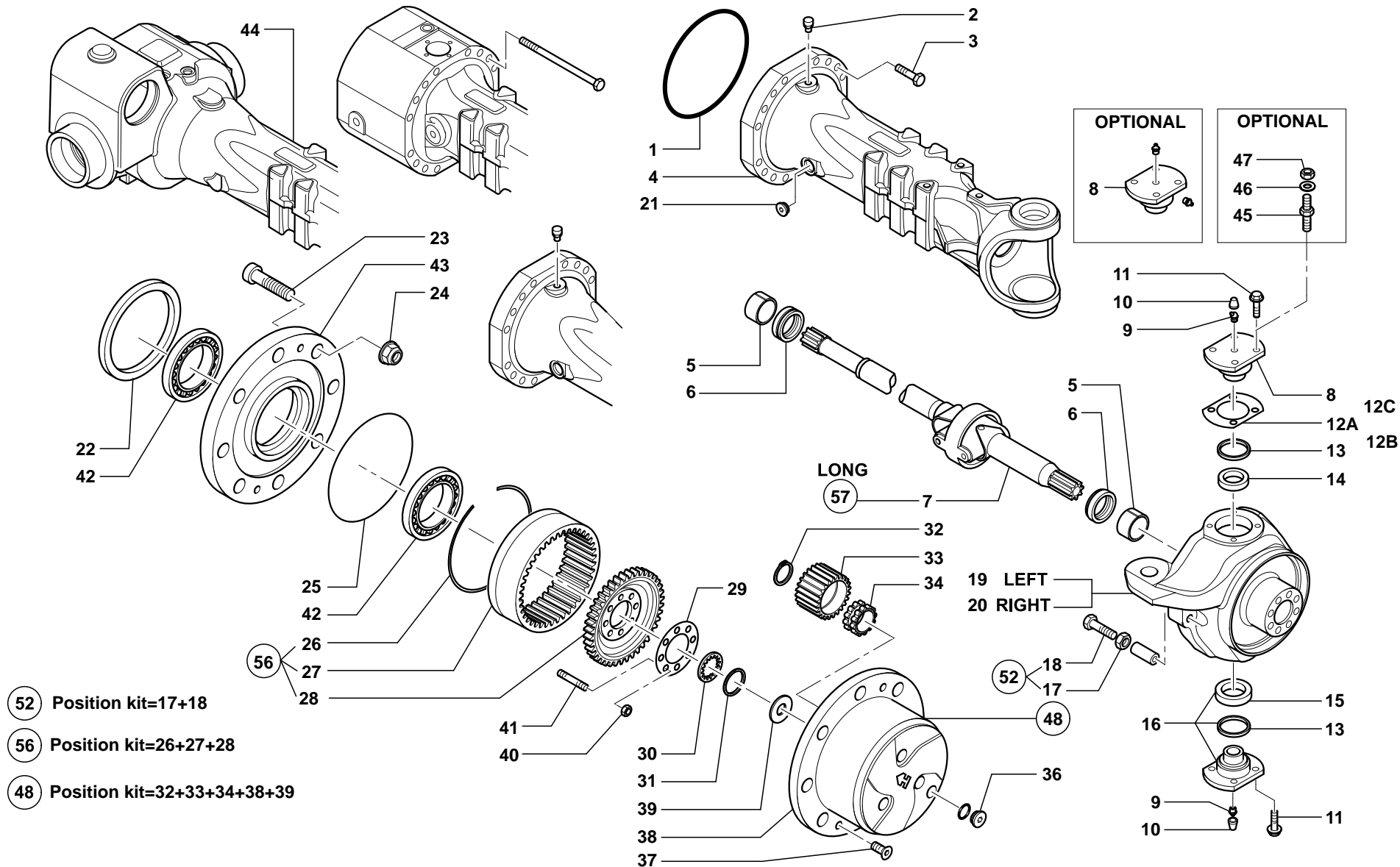
CODICE MACCHINA  
MACHINE CODE  
**APOLLO**  
Matr. 1900



DESCRIZIONE:

DIFFERENZIALE POSTERIORE  
REAR AXLE COMPONENTS  
DIFFERENTIAL ARRIERE  
DIFFERENTIAL TRASERO  
DIFFERENTIAL HINTEN

Table	Item#	Pg.	Code	Part Description - English	Part Description - French	Part Description - Italian
GA0216	1	80	5H.7460400801	NUT	ECROU	DADO
GA0216	2	80	5H.1710404401	FLANGE	BRIDE	FLANGIA
GA0216	3	80	5H.005092938	BEARING	ROULEMENT	CUSCINETTO
GA0216	4	80	5H.001030730	CIRCLIP	ARRETOIR	ANELLO DI SICUREZZA
GA0216	5	80	5H.1110403801	SPACER	ENTRETOISE	DISTANZIALE
GA0216	8	80	5H.1710401801	SPACER	ENTRETOISE	DISTANZIALE
GA0216	9	80	5H.1110450008	CROWNWHEEL/PINION	COUPLE CONIQUE	COPIA CONICA
GA0216	10	80	5H.016283658	SCREW	VIS	VITE
GA0216	12	80	5H.005090496	TAPER ROLLER BEARING	ROULEMENT A R. CONIQUES	CUSCINETTO A RULLI CONICI
GA0216	13	80	5H.1110405701	DIFFERENTIAL CARRIER	CARTER DIFFERENTIEL	SCATOLA DIFFERENZIALE
GA0216	14	80	5H.1710401101	SHIM	CHAPAGE	RONDELLA DI RASAMENTO
GA0216	15	80	5H.1110405801	DIFFERENTIAL SIDE GEAR	PLANETAIRE	PLANETARIO
GA0216	16	80	5H.1710400401	DIFFERENTIAL PINION	SATELLITE	SATELLITE
GA0216	17	80	5H.1710401201	SHIM	CHAPAGE	RONDELLA DI RASAMENTO
GA0216	18	80	5H.1110403401	PIN	AXE	PERNO
GA0216	19	80	5H.014033539	DOWEL	BROCHE	SPINA
GA0216	20	80	5H.1110403301	PIN	AXE	PERNO
GA0216	21	80	5H.1110403202	CROSS	CROISIERE	CROCIERA
GA0216	22	80	5H.2210100201	COVERPLATE	PROTECTION EN TOLE	LAMIERA DI PROTEZIONE
GA0216	25	80	5H.001050041	O - RING	JOINT OR	ANELLO OR
GA0216	11A	80	5H.013011475	SHIM	CALE	SPESSORE
GA0216	11B	80	5H.013013288	SHIM	CALE	SPESSORE
GA0216	11C	80	5H.013013289	SHIM	CALE	SPESSORE
GA0216	11D	80	5H.013013290	SHIM	CALE	SPESSORE
GA0216	6A	80	5H.013011549	SHIM	CALE	SPESSORE
GA0216	6B	80	5H.013011550	SHIM	CALE	SPESSORE
GA0216	6C	80	5H.013011551	SHIM	CALE	SPESSORE
GA0216	7A	80	5H.3151400910	RING	BAGUE	ANELLO
GA0216	7B	80	5H.3151401004	RING	BAGUE	ANELLO



NUMERO TAVOLA  
 TABLE NUMBER  
**GA0217**

VERSIONE  
 VERSION  
**00**  
 01/10/08

CODICE MACCHINA  
 MACHINE CODE  
**APOLLO**  
 Matr. 1900



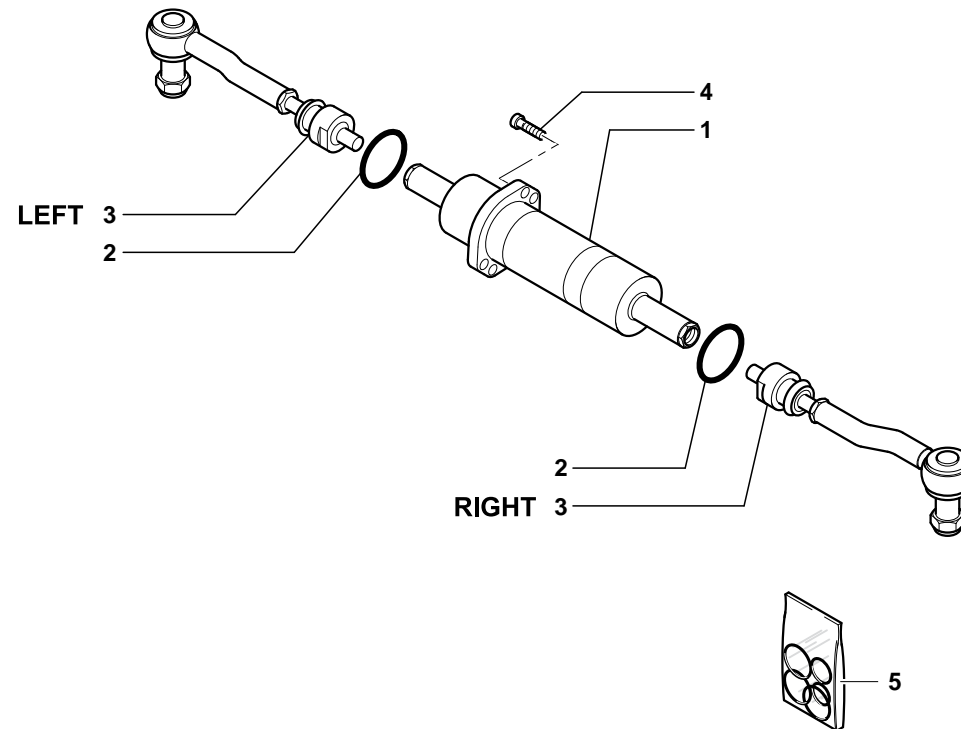
DESCRIZIONE:

RIDUZIONE EPICICLOIDALE  
 REDUCTION EPICICLOIDALE  
 REDUCTION EPICICLOIDALE  
 REDUCCION EPICICLOIDALE  
 VERKLEINERUNG EPICICLOIDALE

Table	Item#	Pg.	Code	Part Description - English	Part Description - French	Part Description - Italian
GA0217	1	81	5H.001051037	O - RING	JOINT OR	ANELLO OR
GA0217	2	81	5H.1120101801	VENT	RENIFLARD	TAPPO SFIATO
GA0217	3	81	5H.016031317	SCREW	VIS	VITE
GA0217	4	81	5H.2110602802	ARM	BRAS	BRACCIO
GA0217	5	81	5H.2110601701	BEARING	COUSSINET	BRONZINA
GA0217	6	81	5H.2110602001	DUST EXCLUDER	BAGUE ANTI POUSSIERE	ANELLO DI TENUTA
GA0217	7	81	5H.2110661103	JOINT	JOINT	GIUNTO
GA0217	8	81	5H.2110601202	PIVOT PIN	PIVOT DE ROTULE	PERNO SNODO
GA0217	9	81	BWI1128	GREASER	GRAISSEUR	INGRASSATORE
GA0217	10	81	5H.7340701501	PLUG	BOUCHON	TAPPO
GA0217	11	81	5H.016283390	SCREW	VIS	VITE
GA0217	13	81	5H.2110601901	SEAL	JOINT D'ETANCHEITE	ANELLO DI TENUTA
GA0217	14	81	5H.2120600602	BUSHING	DOUILLE	BOCCOLA
GA0217	15	81	5H.2780602801	PIVOT PIN	PIVOT DE ROTULE	SNODO
GA0217	16	81	5H.2110670101	PIVOT PIN	PIVOT DE ROTULE	PERNO SNODO
GA0217	17	81	5H.006051521	NUT	ECROU	DADO
GA0217	18	81	5H.2130601101	SCREW	VIS	VITE
GA0217	19	81	5H.2110671503	STEERING CASE	BOITIER DE LA ROTULE	SCATOLA SNODO
GA0217	20	81	5H.2110671403	STEERING CASE	BOITIER DE LA ROTULE	SCATOLA SNODO
GA0217	21	81	5H.3551461001	PLUG	BOUCHON	TAPPO
GA0217	22	81	5H.1230601601	SEAL	JOINT D'ETANCHEITE	ANELLO DI TENUTA
GA0217	23	81	5H.7020601703	HOLLOW STUD	COLONNETTE	COLONNETTA
GA0217	24	81	5H.006081321	WHEEL NUT	ECROU DEMI-SPHERIQUE	DADO A SEDE SFERICA
GA0217	25	81	BVG2233	O - RING	JOINT OR	ANELLO OR
GA0217	26	81	5H.002063193	CIRCLIP	ARRETOIR	ANELLO DI SICUREZZA
GA0217	27	81	5H.1120600504	RING GEAR	COURONNE DENTEE	CORONA DENTATA
GA0217	28	81	5H.1110600502	RING GEAR SUPPORT	SUPPORT PORTE COURONNE	SUPPORTO PORTA CORONA
GA0217	29	81	5H.1110600701	LOCKING PLATE	TOLE DE SECURITE	LAMIERA DI SICUREZZA
GA0217	30	81	5H.2110602402	RING	BAGUE	ANELLO
GA0217	31	81	5H.002051470	CIRCLIP	ARRETOIR	ANELLO DI SICUREZZA
GA0217	32	81	5H.002143191	CIRCLIP	ARRETOIR	ANELLO DI SICUREZZA
GA0217	33	81	5H.1120600603	DIFFERENTIAL PINION	SATELLITE	SATELLITE
GA0217	34	81	5H.1120600802	BEARING	ROULEMENT	CUSCINETTO
GA0217	36	81	5H.1120161001	PLUG	BOUCHON	TAPPO
GA0217	37	81	5H.016060442	SCREW	VIS	VITE
GA0217	38	81	5H.1120605004	PLANET GEAR CARRIER	SUPPORT SATELLITES	SUPPORTO SATELLITI
GA0217	39	81	5H.1120601702	SHIM	CHAPAGE	RONDELLA DI RASAMENTO
GA0217	40	81	5H.006022961	NUT	ECROU	DADO
GA0217	41	81	5H.1110600601	STUD	GOUJON	PRIGIONIERO
GA0217	42	81	5H.005101380	BEARING	ROULEMENT	CUSCINETTO
GA0217	43	81	5H.2110601001	HUB WHEEL	MOYEU ROUE	MOZZO RUOTA
GA0217	44	81	5H.2210100301	ARM	BRAS	BRACCIO
GA0217	45	81	5H.2230601301	STUD	GOUJON	PRIGIONIERO
GA0217	46	81	5H.011051247	WASHER	RONDELLE	RONDELLA
GA0217	47	81	5H.006023451	NUT	ECROU	DADO

Table	Item#	Pg.	Code	Part Description - English	Part Description - French	Part Description - Italian
GA0217	48	81	5H.2120671019	PLANET GEAR CARRIER	SUPPORT SATELLITES	SUPPORTO SATELLITI
GA0217	52	81	5H.2130671101	SCREW	VIS	VITE
GA0217	56	81	5H.1110670502	RING GEAR SUPPORT	SUPPORT PORTE COURONNE	SUPPORTO PORTA CORONA
GA0217	12A	81	5H.2110601301	SHIM	CALE	SPESSORE
GA0217	12B	81	5H.2110601302	SHIM	CALE	SPESSORE
GA0217	12C	81	5H.2110601303	SHIM	CALE	SPESSORE





NUMERO TAVOLA  
TABLE NUMBER  
**GA0218**

VERSIONE  
VERSION  
**00**  
01/10/08

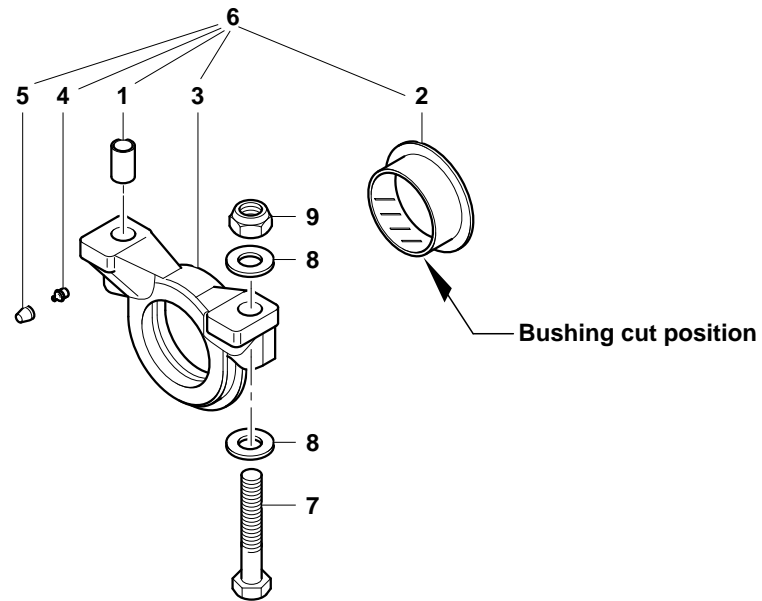
CODICE MACCHINA  
MACHINE CODE  
**APOLLO**  
Matr. 1900



DESCRIZIONE:

BARRE STERZO E CILINDRO POSTERIORE  
BARS AND STEERING CYLINDER REAR  
BARS ET DIRECTION CYLINDRE ARRIÈRE  
BARES Y TRASERO CULATA  
BARS UND ZYLINDERKOPF HINTEN

Table	Item#	Pg.	Code	Part Description - English	Part Description - French	Part Description - Italian
GA0218	1	82	5H.2112462312	CYLINDER	CILINDRE	CILINDRO
GA0218	2	82	5H.001051548	RING	BAGUE	ANELLO
GA0218	3	82	5H.2112462411	ARTICULATED TIE ROD	TIGE AXIALE ARTICULEE	ASTA ASSIALE ARTICOLATA
GA0218	4	82	5H.016040728	CYLINDER BOLT	VIS A TETE CYLINDRIQUE	VITE A TESTA CILINDRICA
GA0218	5	82	5H.2112445004	GASKET KIT	KIT DE JOINTS	KIT GUARNIZIONI



NUMERO TAVOLA  
TABLE NUMBER  
**GA0219**

VERSIONE  
VERSION  
**00**  
01/10/08

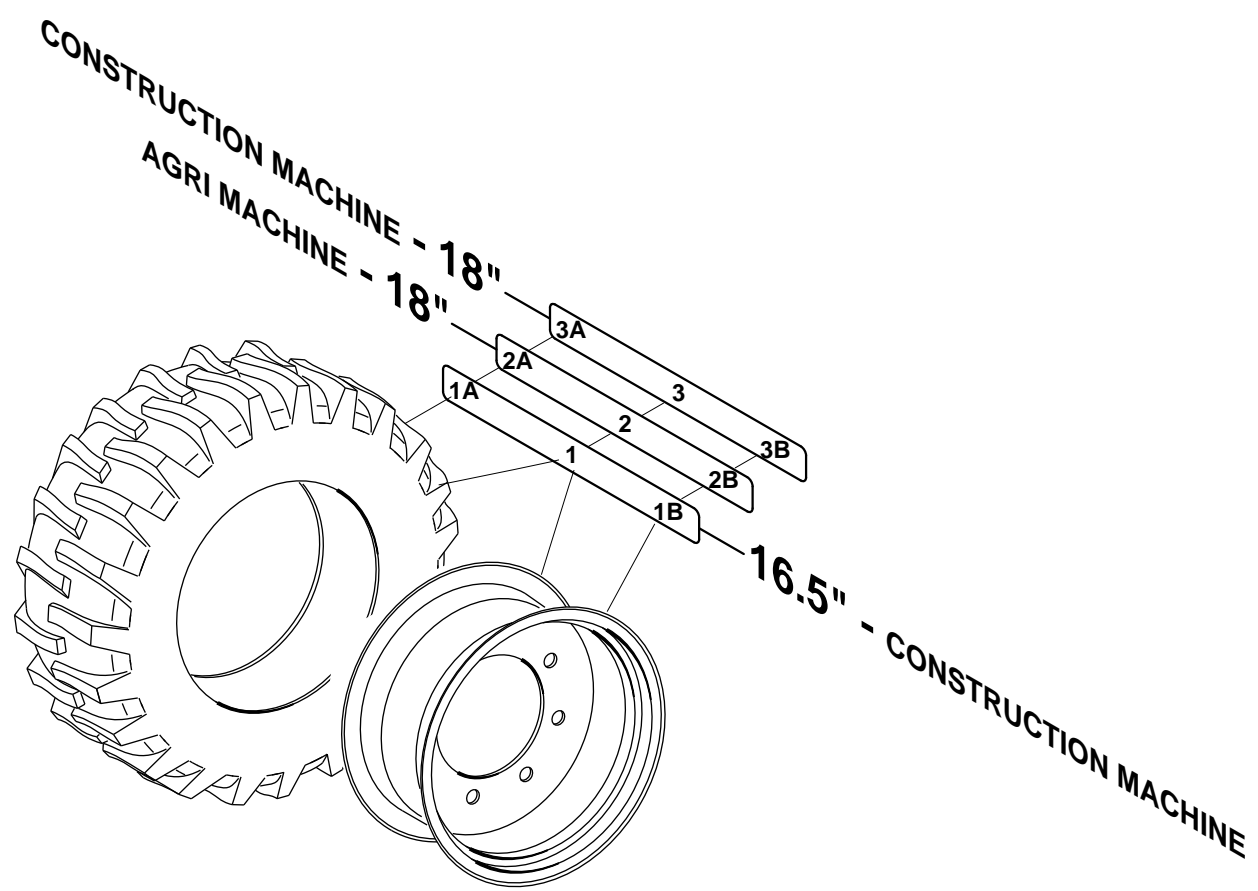
CODICE MACCHINA  
MACHINE CODE  
**APOLLO**  
Matr. 1900



DESCRIZIONE:

SUPPORTI OSCILLANTI  
OSCILLATING SUPPORTS  
SUPPORTES OSCILLANTS  
SOPORTES OSCILANTES  
LAGER ACHSSCHWINGE

Table	Item#	Pg.	Code	Part Description - English	Part Description - French	Part Description - Italian
GA0219	1	83	5H.2772500201	REDUCTION BUSHING	MANCHON DE REDUCTION	BUSSOLA (RIDUZIONE)
GA0219	2	83	5H.2782500201	THRUST BUSHING	DOUILLE	BRONZINA
GA0219	3	83	5H.2782500103	SUPPORT	SUPPORT	SUPPORTO
GA0219	4	83	5H.008010213	GREASER	GRAISSEUR	INGRASSATORE
GA0219	5	83	5H.7340701501	PLUG	BOUCHON	TAPPO
GA0219	6	83	5H.2782561002	SUPPORT	SUPPORT	SUPPORTO
GA0219	7	83	BAA7534	SCREW	VIS	VITE
GA0219	8	83	BAL5133	WASHER	RONDELLE	RONDELLA
GA0219	9	83	BAG4108	NUT	ECROU	DADO AUTOBLOCK





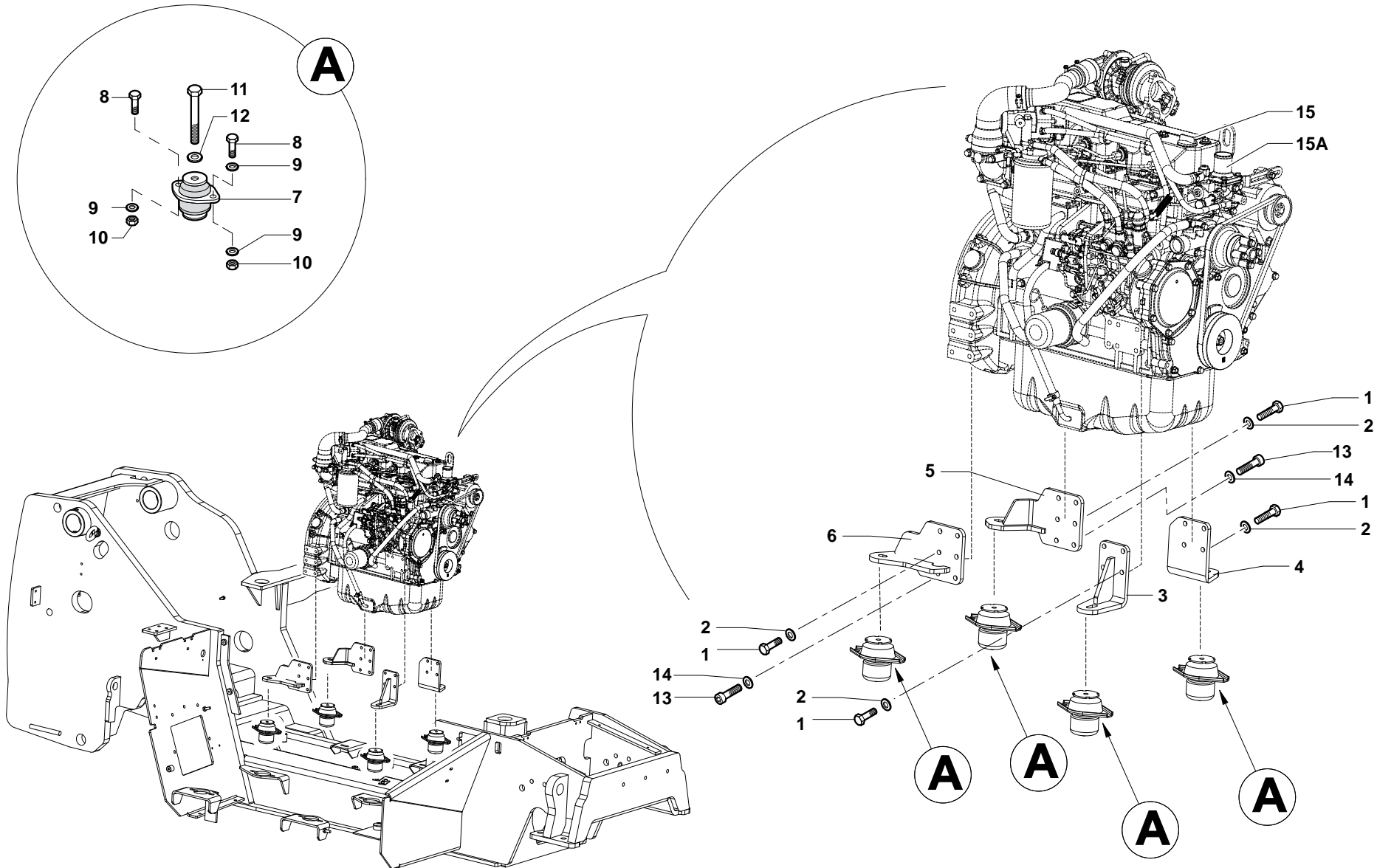
NUMERO TAVOLA TABLE NUMBER <b>GA0220</b>	VERSIONE VERSION <b>00</b> 01/10/08	CODICE MACCHINA MACHINE CODE <b>APOLLO</b> Matr. 1900		DESCRIZIONE:	RUOTE WHEELS ROUES RUEDAS REIFEN
--	--	--	---	--------------	--

Table	Item#	Pg.	Code	Part Description - English	Part Description - French	Part Description - Italian
GA0220	1	84	BVR5111/0C	RUBBEL WHEEL	ROUE PNEUMATIQUE	RUOTA
GA0220	2	84	BVR3202	RUBBEL WHEEL	ROUE PNEUMATIQUE	RUOTA
GA0220	3	84	BVR3201	RUBBEL WHEEL	ROUE PNEUMATIQUE	RUOTA
GA0220	1A	84	BVR6126	TIRE	PNEU	COPERTURA
GA0220	1B	84	BVR8157/0C	DISC	DISQUE	DISCO
GA0220	2A	84	BVR6127	TIRE	PNEU	COPERTURA
GA0220	2B	84	BVR8201/0C	DISC	DISQUE	DISCO
GA0220	3A	84	BVR6125	TIRE	PNEU	COPERTURA
GA0220	3B	84	BVR8201/0C	DISC	DISQUE	DISCO



***F***

NUMERO TAVOLA TABLE NUMBER <b>GF0000</b>	VERSIONE VERSION <b>00</b>	CODICE MACCHINA MACHINE CODE <b>APOLLO</b>	 <small>macchine edili ed agricole</small>	DESCRIZIONE:	MOTORE MOTOR MOTEUR MOTOR MOTOR
--	----------------------------------	--	--	--------------	---




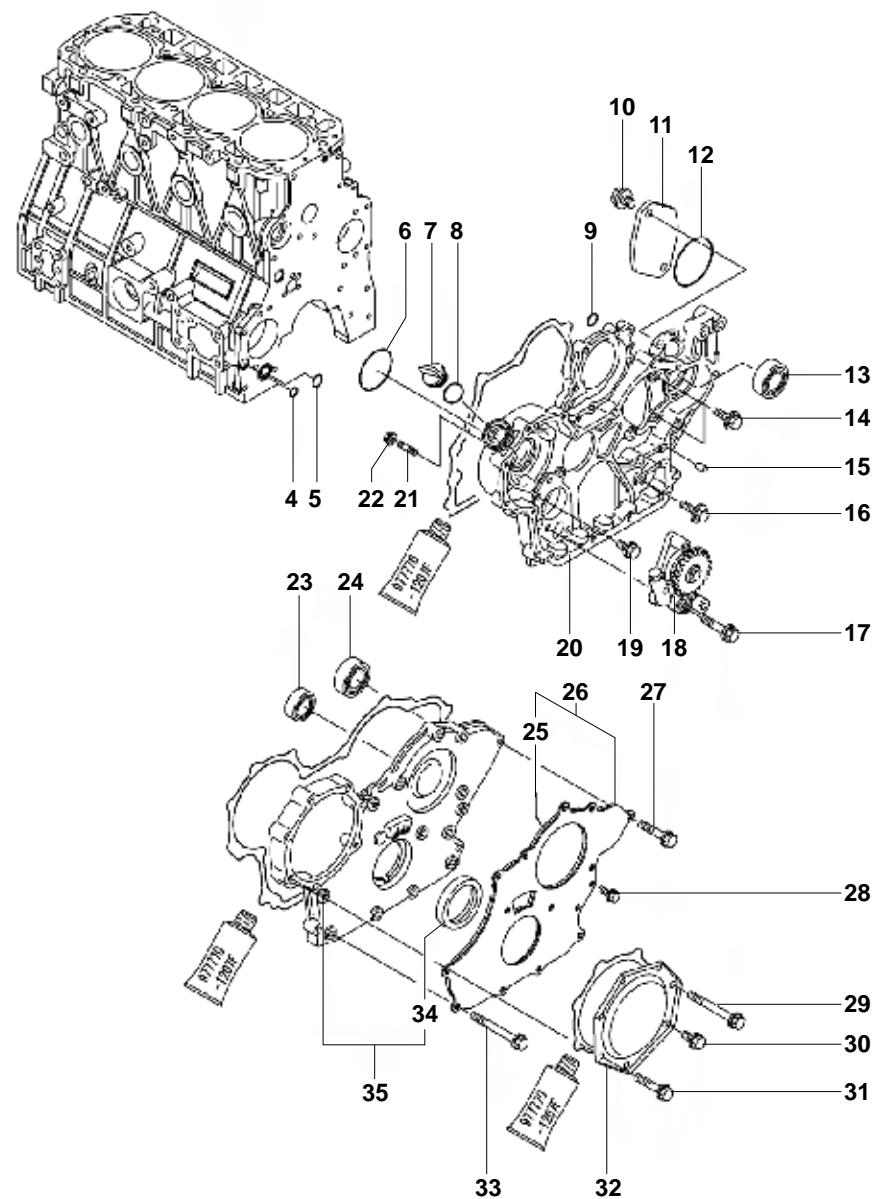
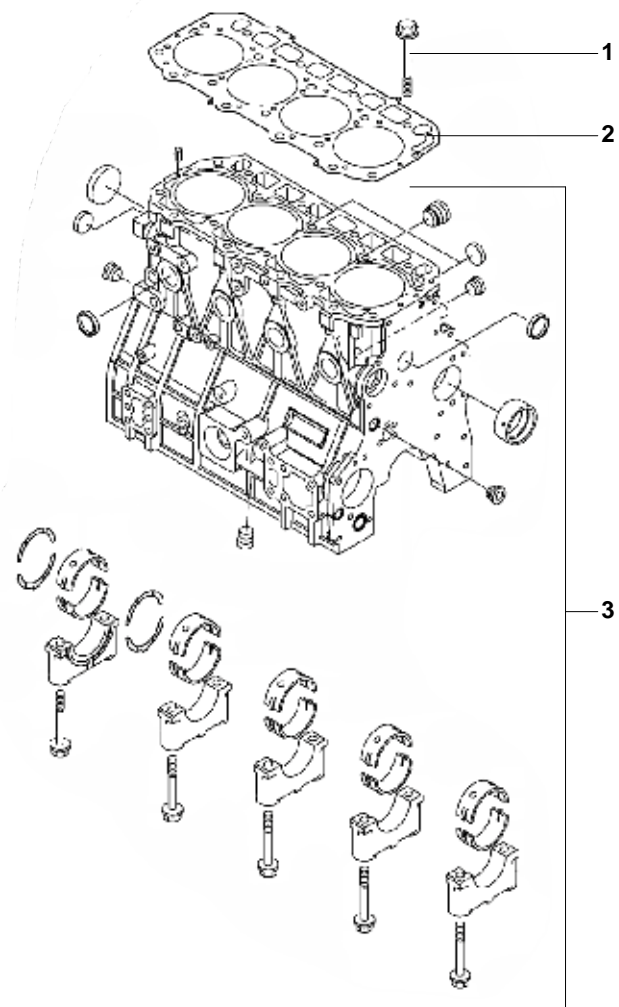
NUMERO TAVOLA TABLE NUMBER <b>GF0077</b>	VERSIONE VERSION <b>00</b>	CODICE MACCHINA MACHINE CODE <b>APOLLO</b> Matr. 1900		DESCRIZIONE:	SUPPORTI MOTORE MOTOR SUPPORTS SUPPORT MOTEUR SOPORTES MOTOR BEWEGENDE UNTERSTÜTZUNG
--	----------------------------------	--	---	--------------	--



Table	Item#	Pg.	Code	Part Description - English	Part Description - French	Part Description - Italian
GF0077	1	86	BAA7254	SCREW	VIS	VITE
GF0077	2	86	BAL3248	WASHER	RONDELLE	RONDELLA
GF0077	3	86	BCN6095/CL	BRACKET	ETRIER	STAFFA
GF0077	4	86	BCN6098/CL	BRACKET	ETRIER	STAFFA
GF0077	5	86	BCN6097/CL	BRACKET	ETRIER	STAFFA
GF0077	6	86	BCN6096/CL	BRACKET	ETRIER	STAFFA
GF0077	7	86	BWE0112	SILENTBLOCK	ANTI VIBRATION	ANTIVIBRANTE
GF0077	8	86	BAA7254	SCREW	VIS	VITE
GF0077	9	86	BAL5114	WASHER	RONDELLE	RONDELLA
GF0077	10	86	BAG4118	NUT	ECROU	DADO
GF0077	11	86	BAA7305	SCREW	VIS	VITE
GF0077	12	86	BAL3250	WASHER	RONDELLE	RONDELLA
GF0077	13	86	BAB5254	SCREW	VIS	VITE
GF0077	14	86	BAL3310	WASHER	RONDELLE	RONDELLA
GF0077	15	86	BMN1955	THURBO-CHARGED DIESEL ENGINE	MOTEUR DIESEL TURBOCOMPRESSE	MOTORE TURBO
GF0077	15A	86	BMN1954	NATURALLY ASPIRATED DIESEL ENGINE	MOTEUR DIESEL A ASPIRATION NATURALLE	MOTORE ASPIRATO



NUMERO TAVOLA  
TABLE NUMBER  
**GF0069**

VERSIONE  
VERSION  
**00**

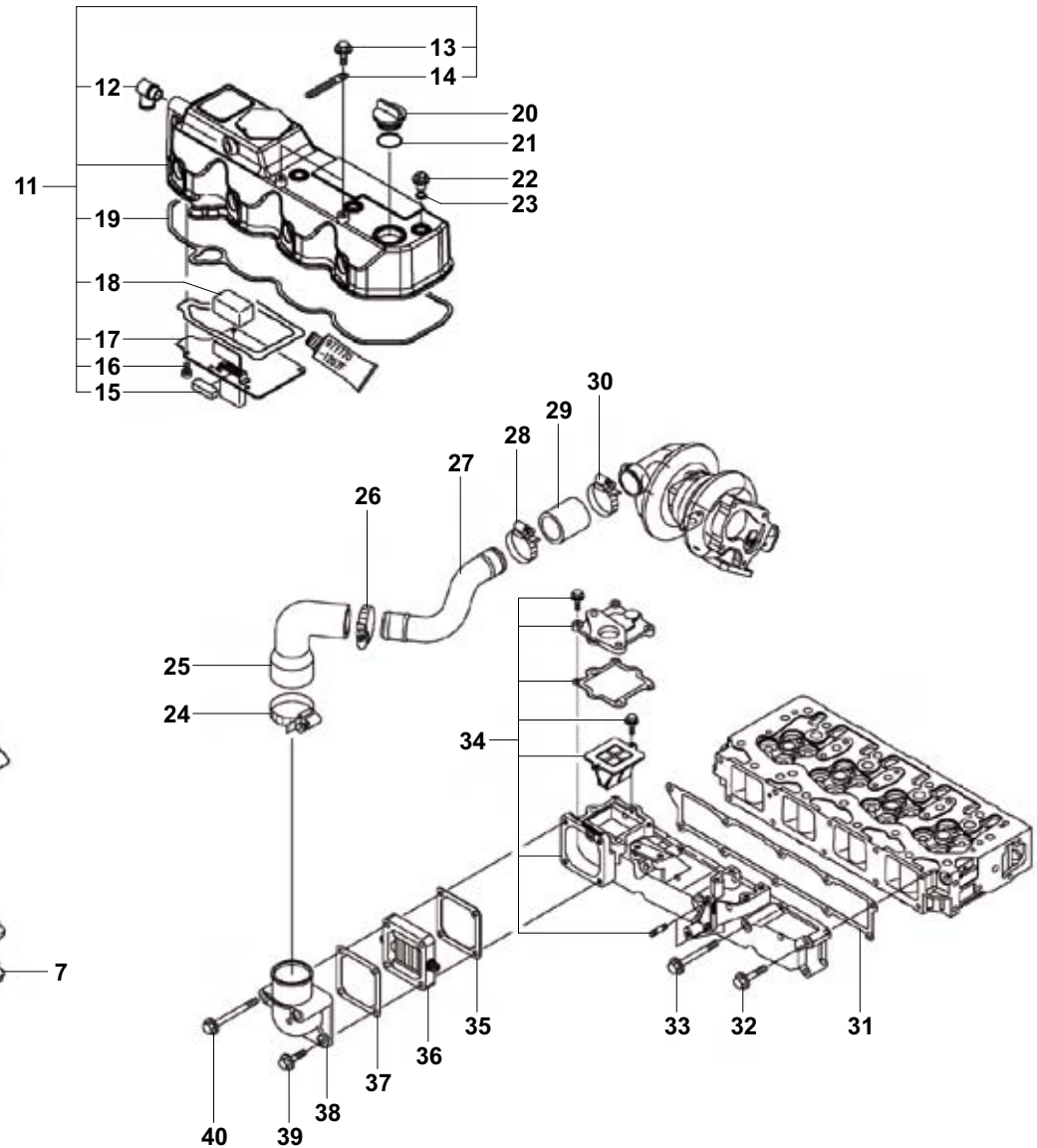
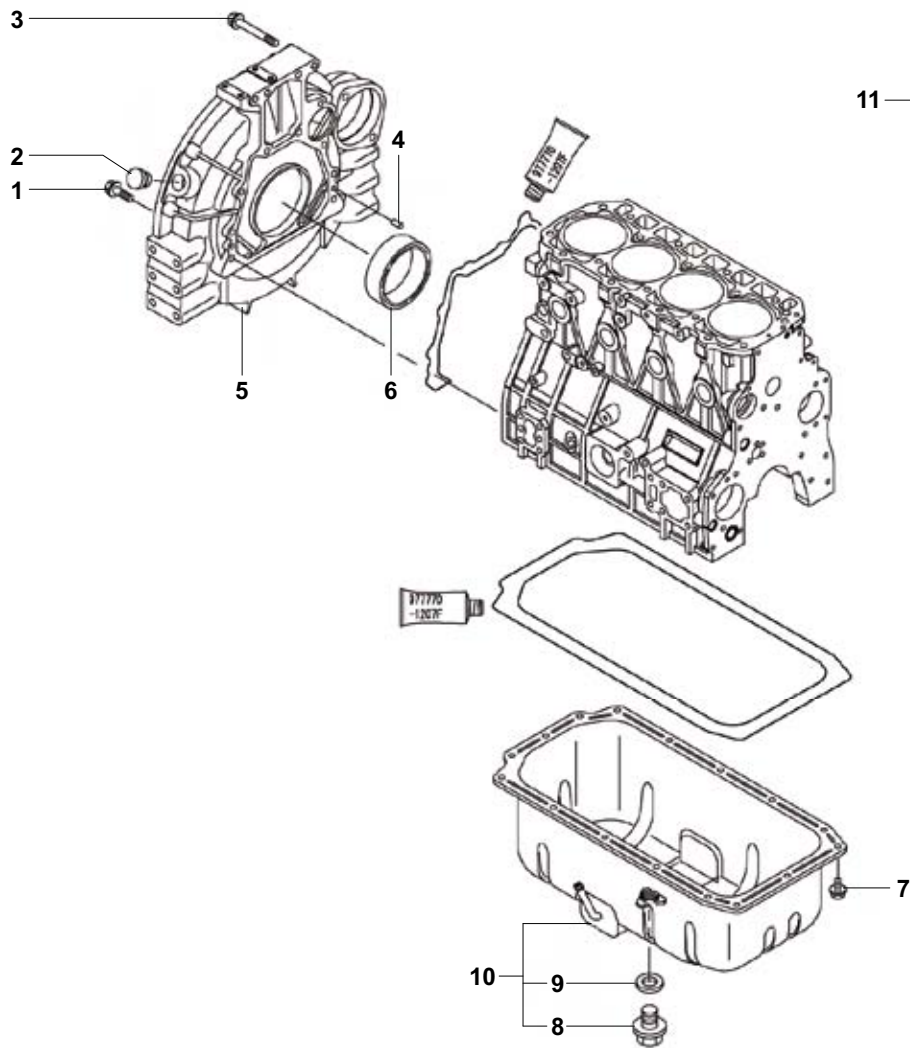
CODICE MACCHINA  
MACHINE CODE  
**APOLLO**  
Matr. 1900



DESCRIZIONE:

PEZZI DI RICAMBIO 1 (PER MOTORE DIESEL TURBO)  
EXCHANGE PIECE 1 ( FOR THURBO-CHARGED DIESEL ENGINE)  
PIECE DE RECHANGE 1 (POUR MOTEUR DIESEL TURBOCOMPRESSE)  
PIEZAS DE REPUESTO 1 ( POR MOTOR DIESEL THE SOBREALIMENTADO)  
ERSETZSTUCK 1 (FUR DIESELTURBOMOTOR)

Table	Item#	Pg.	Code	Part Description - English	Part Description - French	Part Description - Italian
GF0069	1	87	1Y.12990001200	BOLT	VIS	VITE
GF0069	2	87	1Y.12990701331	GASKET	JOINT	GUARNIZIONE
GF0069	3	87	1Y.72992801560	ENGINE BLOCK	BLOC MOTEUR	BLOCCO MOTORE
GF0069	4	87	1Y.12990032040	O - RING	JOINT OR	ANELLO OR
GF0069	5	87	1Y.12990032030	O - RING	JOINT OR	ANELLO OR
GF0069	6	87	1Y.24351030750	O - RING	JOINT OR	ANELLO OR
GF0069	7	87	1Y.12416001751	COVER	COUVERCLE	COPERCHIO
GF0069	8	87	1Y.24311000320	O - RING	JOINT OR	ANELLO OR
GF0069	9	87	1Y.24311000070	O - RING	JOINT OR	ANELLO OR
GF0069	10	87	1Y.26106100202	BOLT	VIS	VITE
GF0069	11	87	1Y.12102326070	COVER	COUVERCLE	COPERCHIO
GF0069	12	87	1Y.24321000850	O - RING	JOINT OR	ANELLO OR
GF0069	13	87	1Y.12990026250	BALL BEARING	ROULEMENT A BILLES	CUSCINETTO A SFERE
GF0069	14	87	1Y.26106080202	BOLT	VIS	VITE
GF0069	15	87	1Y.12910001580	PIN	AXE	PERNO
GF0069	16	87	1Y.26106080202	BOLT	VIS	VITE
GF0069	17	87	1Y.26106080452	BOLT	VIS	VITE
GF0069	18	87	1Y.12990832060	PUMP	POMPE	POMPA
GF0069	19	87	1Y.26106080162	BOLT	VIS	VITE
GF0069	20	87	1Y.12993301500	HOUSING	CARTER	CARTER
GF0069	21	87	1Y.26216100302	BOLT	VIS	VITE
GF0069	22	87	1Y.26306100002	NUT	ECROU	DADO
GF0069	23	87	1Y.12990014140	BALL BEARINGS	ROULEMENTS A BILLES	RALLA
GF0069	24	87	1Y.12990026250	BALL BEARING	ROULEMENT A BILLES	CUSCINETTO A SFERE
GF0069	25	87	1Y.12990001870	SPONGE	EPOGE	SPUGNA
GF0069	26	87	1Y.12990001850	COVER	COUVERCLE	COPERCHIO
GF0069	27	87	1Y.26106080402	SCREW	VIS	VITE
GF0069	28	87	1Y.26106080162	SCREW	VIS	VITE
GF0069	29	87	1Y.26106080702	SCREW	VIS	VITE
GF0069	30	87	1Y.26106080162	SCREW	VIS	VITE
GF0069	31	87	1Y.26106080402	SCREW	VIS	VITE
GF0069	32	87	1Y.12990001740	COVER	COUVERCLE	COPERCHIO
GF0069	33	87	1Y.26106080702	SCREW	VIS	VITE
GF0069	34	87	1Y.12991601800	SEAL	RONDELLE	ANELLO DI TENUTA
GF0069	35	87	1Y.72990601550	COVER	COUVERCLE	COPERCHIO



NUMERO TAVOLA  
TABLE NUMBER  
**GF0070**

VERSIONE  
VERSION  
**00**

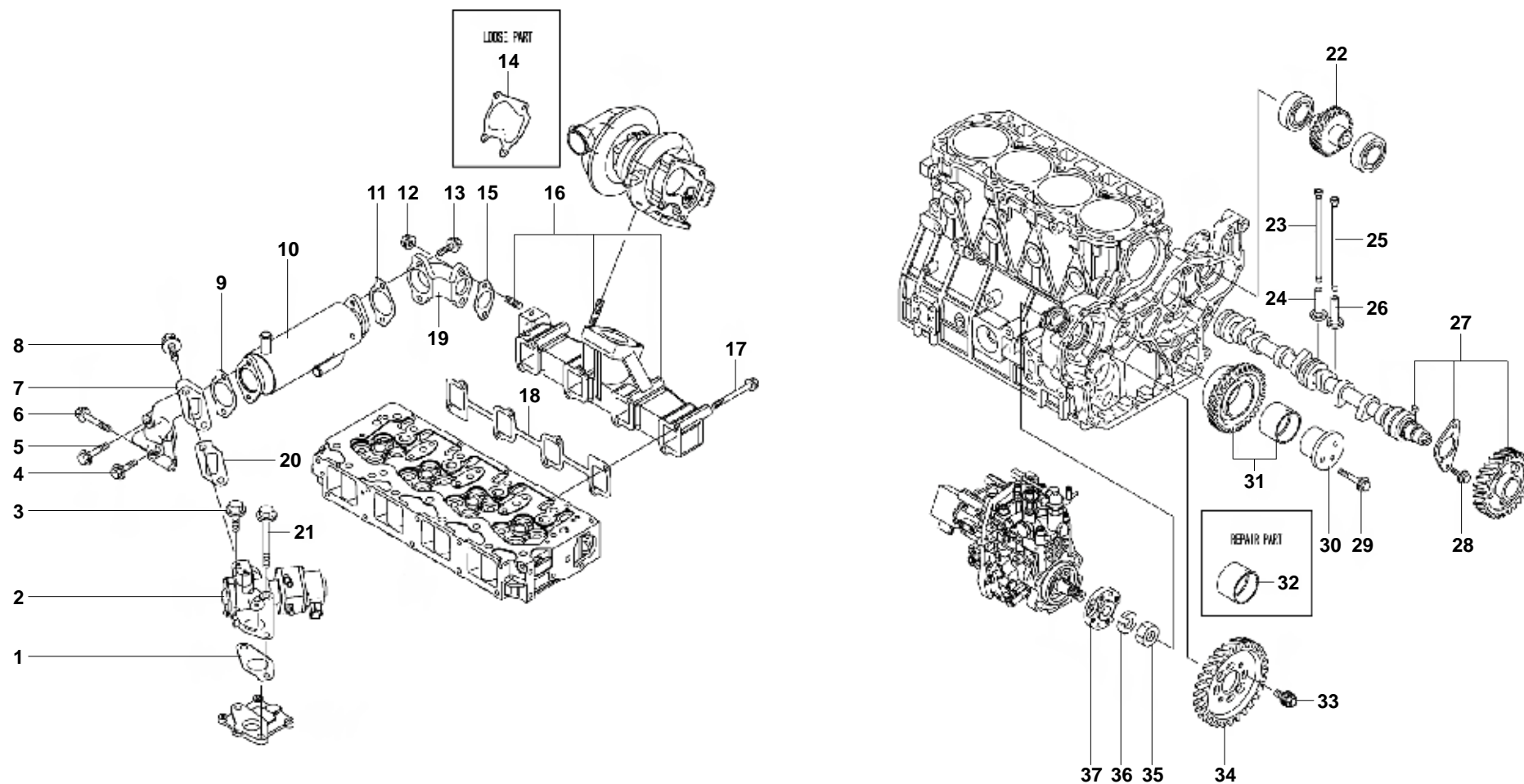
CODICE MACCHINA  
MACHINE CODE  
**APOLLO**  
Matr. 1900



DESCRIZIONE:

PEZZI DI RICAMBIO 2 (PER MOTORE DIESEL TURBO)  
EXCHANGE PIECE 2 (FOR THURBO-CHARGED DIESEL ENGINE)  
PIECE DE RECHANGE 2 (POUR MOTEUR DIESEL TURBOCOMPRESSE)  
PIEZAS DE REPUESTO 2 (POR MOTOR DIESEL THE SOBREALIMENTADO)  
ERSETZSTUCK 2 (FUR DIESELTURBOMOTOR)

Table	Item#	Pg.	Code	Part Description - English	Part Description - French	Part Description - Italian
GF0070	1	88	1Y.26206100352	SCREW	VIS	VITE
GF0070	2	88	1Y.11962001750	CAP, FLYWHEEL COVER	VOLANT DE COUVERTURE	COPERTURA VOLANO
GF0070	3	88	1Y.26206100702	SCREW	VIS	VITE
GF0070	4	88	1Y.12910001580	PIN	AXE	PERNO
GF0070	5	88	1Y.12990001620	HOUSING ASSY, WHEEL	JOINT	GUARNIZIONE
GF0070	6	88	1Y.12991601790	SEAL	RONDELLE	ANELLO DI TENUTA
GF0070	7	88	1Y.26106080122	SCREW	VIS	VITE
GF0070	8	88	1Y.11964001640	PLUG	BOUCHON	TAPPO
GF0070	9	88	1Y.22190220002	WASHER	RONDELLE	RONDELLA
GF0070	10	88	1Y.12994801740	OIL TANK	RESERVOIR HUILE	SERBATOIO OLIO
GF0070	11	88	1Y.12994811300	COVER	COUVERCLE	ASSIEME COPERCHIO
GF0070	12	88	1Y.11910011330	CDIAPHRAGM, BREATHER	RENIFLARD	SFIATATOIO
GF0070	13	88	1Y.26106060122	SCREW	VIS	VITE
GF0070	14	88	1Y.12950979700	CLIP	COLLIER	COLLARE DI FISSAGGIO
GF0070	15	88	1Y.12990703061	BAFFLE	CLOISON	DEFLETTORE
GF0070	16	88	1Y.22857500100	SCREW	VIS	VITE
GF0070	17	88	1Y.12990703011	PALATE, BAFFLE	JOINT	GUARNIZIONE
GF0070	18	88	1Y.12990703070	BAFFLE	CLOISON	DEFLETTORE
GF0070	19	88	1Y.12993311310	GASKET	JOINT	GUARNIZIONE
GF0070	20	88	1Y.12416001751	COVER	COUVERCLE	COPERCHIO
GF0070	21	88	1Y.24311000320	O - RING	JOINT OR	ANELLO OR
GF0070	22	88	1Y.12416011360	SCREW	VIS	VITE
GF0070	23	88	1Y.24311000120	WASHER	RONDELLE	RONDELLA
GF0070	24	88	1Y.23000054000	CLAMP	COLLIER	FASCETTA
GF0070	25	88	1Y.12997418210	JOINT	JOINT	GIUNTO
GF0070	26	88	1Y.23000054000	CLAMP	COLLIER	FASCETTA
GF0070	27	88	1Y.12994918220	DUCT	GAINÉ	CONDOTTO
GF0070	28	88	1Y.23000054000	CLAMP	COLLIER	FASCETTA
GF0070	29	88	1Y.12395118220	JOINT	JOINT	GIUNTO
GF0070	30	88	1Y.23000054000	CLAMP	COLLIER	FASCETTA
GF0070	31	88	1Y.12990712110	GASKET	JOINT	GUARNIZIONE
GF0070	32	88	1Y.26106080452	SCREW	VIS	VITE
GF0070	33	88	1Y.26106080802	SCREW	VIS	VITE
GF0070	34	88	1Y.12992812150	MANIFOLD	COLLECTEUR	COLLETTORE
GF0070	35	88	1Y.12185077021	GASKET	JOINT	GUARNIZIONE
GF0070	36	88	1Y.11900577051	HEATER	RECHAUFFEUR	RISCALDATORE
GF0070	37	88	1Y.11912977020	GASKET	JOINT	GUARNIZIONE
GF0070	38	88	1Y.11912977520	BEND	COUDE	CURVA
GF0070	39	88	1Y.26106080402	SCREW	VIS	VITE
GF0070	40	88	1Y.26106080902	SCREW	VIS	VITE



NUMERO TAVOLA  
TABLE NUMBER  
**GF0071**

VERSIONE  
VERSION  
**00**

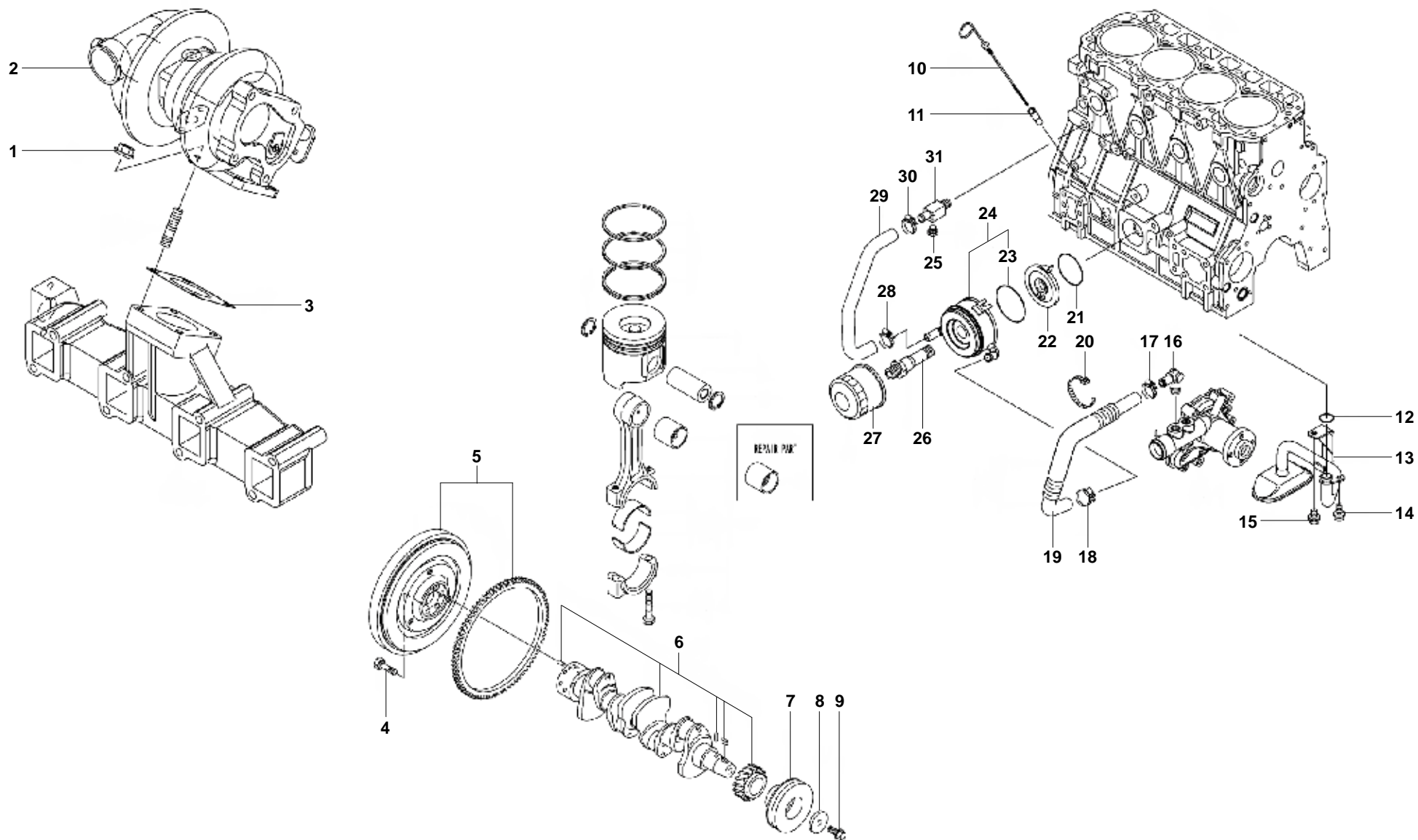
CODICE MACCHINA  
MACHINE CODE  
**APOLLO**  
Matr. 1900



DESCRIZIONE:

PEZZI DI RICAMBIO 3 (PER MOTORE DIESEL TURBO)  
EXCHANGE PIECE 3 ( FOR THURBO-CHARGED DIESEL ENGINE)  
PIECE DE RECHANGE 3 (POUR MOTEUR DIESEL TURBOCOMPRESSE)  
PIEZAS DE REPUESTO 3 ( POR MOTOR DIESEL THE SOBREALIMENTADO)  
ERSETZSTUCK 3 (FUR DIESELTURBOMOTOR)

Table	Item#	Pg.	Code	Part Description - English	Part Description - French	Part Description - Italian
GF0071	1	89	1Y.12992713920	GASKET	JOINT	GUARNIZIONE
GF0071	2	89	1Y.12992813900	VALVE	SOUPAPE	VALVOLA
GF0071	3	89	1Y.26106100402	SCREW	VIS	VITE
GF0071	4	89	1Y.26106080352	SCREW	VIS	VITE
GF0071	5	89	1Y.26106080452	SCREW	VIS	VITE
GF0071	6	89	1Y.26106080552	SCREW	VIS	VITE
GF0071	7	89	1Y.12994813810	PIPE	TUYAU	TUBO
GF0071	8	89	1Y.26106100252	SCREW	VIS	VITE
GF0071	9	89	1Y.12992813410	GASKET	JOINT	GUARNIZIONE
GF0071	10	89	1Y.12992813400	COOLER ASSY	REFROIDISSEUR	DISPOSITIVO DI RAFFREDDAMENTO
GF0071	11	89	1Y.12992813410	GASKET	JOINT	GUARNIZIONE
GF0071	12	89	1Y.26306080002	NUT	ECROU	DADO
GF0071	13	89	1Y.11980213790	SCREW	VIS	VITE
GF0071	14	89	1Y.12390118080	GASKET	JOINT	GUARNIZIONE
GF0071	15	89	1Y.12992713810	GASKET	JOINT	GUARNIZIONE
GF0071	16	89	1Y.12994813150	MANIFOLD	COUDE	RACCORDO CURVA
GF0071	17	89	1Y.12390013630	SCREW	VIS	VITE
GF0071	18	89	1Y.12990013251	GASKET	JOINT	GUARNIZIONE
GF0071	19	89	1Y.12994813800	PIPE	TUYAU	TUBO
GF0071	20	89	1Y.12992713910	GASKET	JOINT	GUARNIZIONE
GF0071	21	89	1Y.26106101052	SCREW	VIS	VITE
GF0071	22	89	1Y.12990026030	GEAR	ENGRANAGE	INGRANAGGIO
GF0071	23	89	1Y.12990714400	ROD	TIGE	ASTA
GF0071	24	89	1Y.12915014200	PIN	AXE	PERNO
GF0071	25	89	1Y.12990714400	ROD	TIGE	ASTA
GF0071	26	89	1Y.12915014200	PIN	AXE	PERNO
GF0071	27	89	1Y.12990814590	CAMSHAFT, ASSY	ARBRE A CAMES	ALBERO A CAMME
GF0071	28	89	1Y.26106080162	SCREW	VIS	VITE
GF0071	29	89	1Y.26106080552	SCREW	VIS	VITE
GF0071	30	89	1Y.12390025060	V-PULLEY, CRANKSHAFT	VILEBREQUIN	ALBERO
GF0071	31	89	1Y.12990025110	GEAR	ENGRANAGE	INGRANAGGIO
GF0071	32	89	1Y.12915025920	BUSHING	DOUILLE	BOCCOLA
GF0071	33	89	1Y.12995325300	SCREW	VIS	VITE
GF0071	34	89	1Y.12990725900	GEAR	ENGRANAGE	INGRANAGGIO
GF0071	35	89	1Y.26776180002	NUT	ECROU	DADO
GF0071	36	89	1Y.22217180000	SPRING WASHER	RONDELLE ELASTIQUE	ROSETTA ELASTICA
GF0071	37	89	1Y.15856351150	FLANGE	BRIDE	FLANGIA



NUMERO TAVOLA  
TABLE NUMBER  
**GF0072**

VERSIONE  
VERSION  
**00**

CODICE MACCHINA  
MACHINE CODE  
**APOLLO**  
Matr. 1900

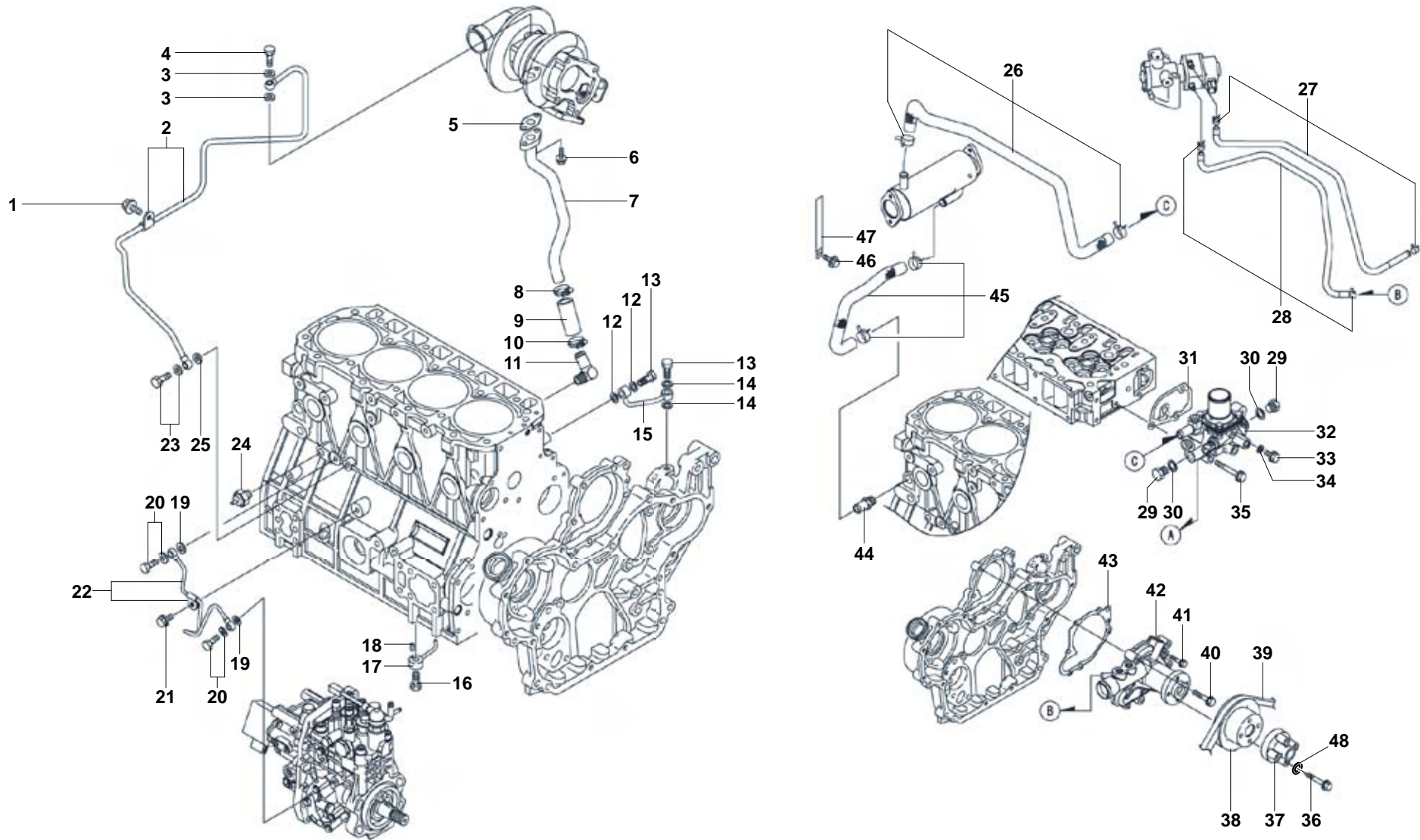
**d DIECI**  
macchine edili ed agricole

DESCRIZIONE:

PEZZI DI RICAMBIO 4 (PER MOTORE DIESEL TURBO)  
EXCHANGE PIECE 4 ( FOR THURBO-CHARGED DIESEL ENGINE)  
PIECE DE RECHANGE 4 (POUR MOTEUR DIESEL TURBOCOMPRESSE)  
PIEZAS DE REPUESTO 4 ( POR MOTOR DIESEL THE SOBREALIMENTADO)  
ERSETZSTUCK 4 (FUR DIESELTURBOMOTOR)



Table	Item#	Pg.	Code	Part Description - English	Part Description - French	Part Description - Italian
GF0072	1	90	1Y.26306080002	NUT	ECROU	DADO
GF0072	2	90	1Y.12993518010	TURBINE	TURBINE	TURBINA
GF0072	3	90	1Y.12947218090	GASKET	JOINT	GUARNIZIONE
GF0072	4	90	1Y.12185021130	SCREW	VIS	VITE
GF0072	5	90	1Y.12995321570	PULLEY	POULIE	PULEGGIA
GF0072	6	90	1Y.12990821100	V-PULLEY, CRANKSHAFT	VILEBREQUIN	ALBERO
GF0072	7	90	1Y.12990721660	V-PULLEY, CRANKSHAFT	VILEBREQUIN	ALBERO
GF0072	8	90	1Y.12990021640	WASHER	RONDELLE	RONDELLA
GF0072	9	90	1Y.12991621610	SCREW	VIS	VITE
GF0072	10	90	1Y.12995334830	ROD	TIGE	ASTA
GF0072	11	90	1Y.12152034810	GUIDE	GUIDE	GUIDA
GF0072	12	90	1Y.12990032030	O - RING	JOINT OR	ANELLO OR
GF0072	13	90	1Y.12995335000	PIPE ASSY	TUYAU	TUBO CPL
GF0072	14	90	1Y.26106080162	SCREW	VIS	VITE
GF0072	15	90	1Y.26106080122	SCREW	VIS	VITE
GF0072	16	90	1Y.12946649300	ELBOW	COUDE	GOMITO
GF0072	17	90	1Y.23000025000	CLAMP	ETAU	MORSETTO
GF0072	18	90	1Y.23000025000	CLAMP	ETAU	MORSETTO
GF0072	19	90	1Y.12391049600	PIPE	TUYAU	TUBO
GF0072	20	90	1Y.12175059890	CLAMP	ETAU	MORSETTO
GF0072	21	90	1Y.24321000600	O - RING	JOINT OR	ANELLO OR
GF0072	22	90	1Y.12990833101	BRACKET	APPUI	SOSTEGNO
GF0072	23	90	1Y.12391233050	O - RING	JOINT OR	ANELLO OR
GF0072	24	90	1Y.12990833010	COOLER ASSY	REFROIDISSEUR	DISPOSITIVO DI RAFFREDDAMENTO
GF0072	25	90	1Y.17105649120	PLUG	BOUCHON	TAPPO
GF0072	26	90	1Y.12391233100	SCREW	VIS	VITE
GF0072	27	90	BHC5044	FILTER	FILTRE	FILTRO
GF0072	28	90	1Y.23000025000	CLAMP	ETAU	MORSETTO
GF0072	29	90	1Y.12990849060	PIPE	TUYAU	TUBO
GF0072	30	90	1Y.23000025000	CLAMP	ETAU	MORSETTO
GF0072	31	90	1Y.12900644480	JOINT	JOINT	GIUNTO



NUMERO TAVOLA  
TABLE NUMBER  
**GF0073**

VERSIONE  
VERSION  
**00**

CODICE MACCHINA  
MACHINE CODE  
**APOLLO**  
Matr. 1900

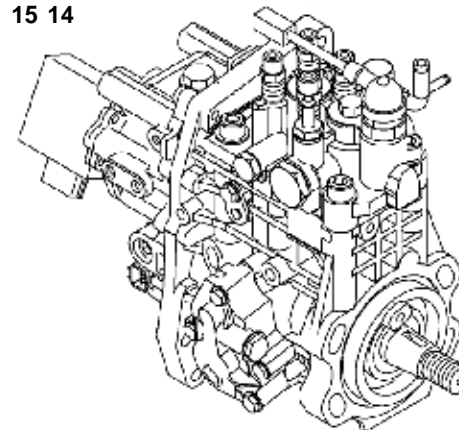
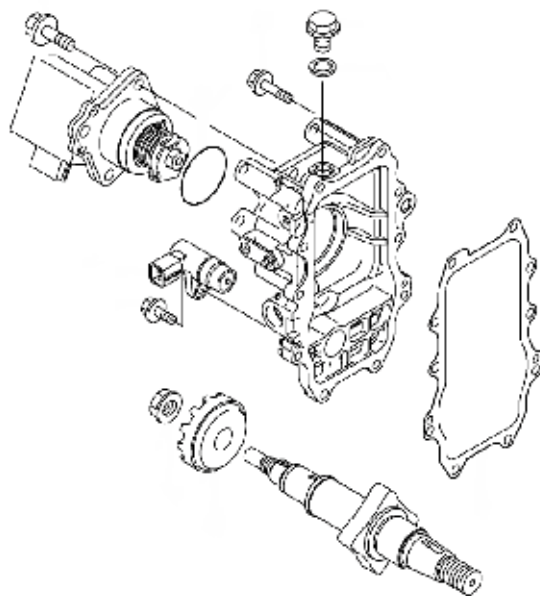
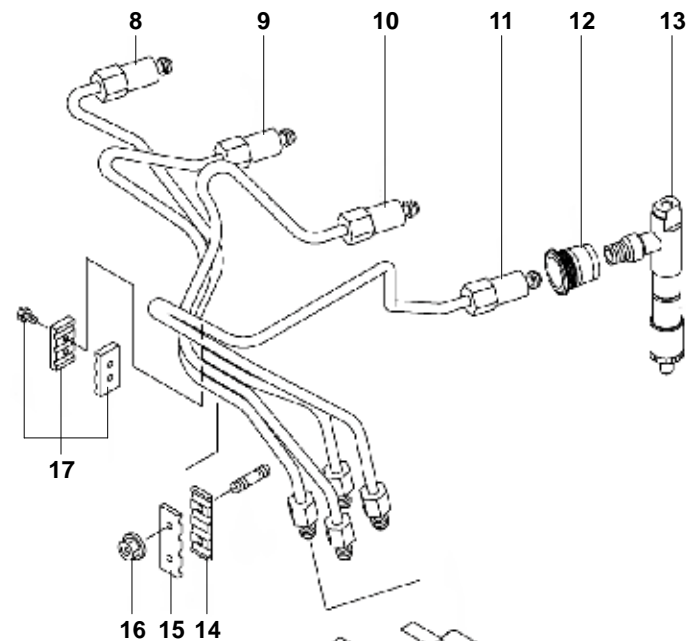
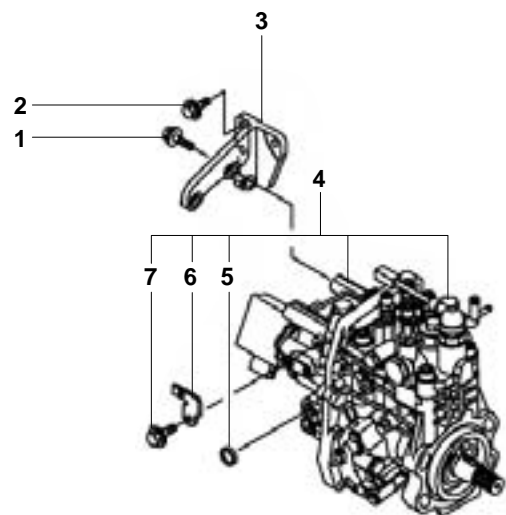


DESCRIZIONE:

PEZZI DI RICAMBIO 5 (PER MOTORE DIESEL TURBO)  
EXCHANGE PIECE 5 (FOR THURBO-CHARGED DIESEL ENGINE)  
PIECE DE RECHANGE 5 (POUR MOTEUR DIESEL TURBOCOMPRESSE)  
PIEZAS DE REPUESTO 5 (POR MOTOR DIESEL THE SOBREALIMENTADO)  
ERSETZSTUCK 5 (FUR DIESELTURBOMOTOR)

Table	Item#	Pg.	Code	Part Description - English	Part Description - French	Part Description - Italian
GF0073	1	91	1Y.26106080122	SCREW	VIS	VITE
GF0073	2	91	1Y.12994939060	PIPE ASSY	TUYAU	TUBO CPL
GF0073	3	91	1Y.23414100000	GASKET	JOINT	GUARNIZIONE
GF0073	4	91	1Y.12125239150	SCREW	VIS	VITE
GF0073	5	91	1Y.12990839690	GASKET	JOINT	GUARNIZIONE
GF0073	6	91	1Y.26106060162	COVER	COUVERCLE	COPERCHIO
GF0073	7	91	1Y.12997439600	PIPE ASSY	TUYAU	TUBO CPL
GF0073	8	91	1Y.23000025000	CLAMP	ETAU	MORSETTO
GF0073	9	91	1Y.12390139820	COVER	COUVERCLE	COPERCHIO
GF0073	10	91	1Y.23000025000	CLAMP	ETAU	MORSETTO
GF0073	11	91	1Y.12407013300	ELBOW	COUDE	GOMITO
GF0073	12	91	1Y.22190080002	SEAL WASHER	TUYAU	ROSETTA DI TENUTA
GF0073	13	91	1Y.10501039140	BOLT	VIS	VITE
GF0073	14	91	1Y.22190080002	SEAL WASHER	TUYAU	ROSETTA DI TENUTA
GF0073	15	91	1Y.12993039050	PIPE	TUYAU	TUBO
GF0073	16	91	1Y.12990839410	VALVE	SOUPAPE	VALVOLA
GF0073	17	91	1Y.11900039650	NOZZLE ASSY	INJECTEUR ASSY	INIETTORE ASSY
GF0073	18	91	1Y.22351030010	SPRING	RESSORT	MOLLA
GF0073	19	91	1Y.22190080002	SEAL WASHER	TUYAU	ROSETTA DI TENUTA
GF0073	20	91	1Y.12900559830	SCREW	VIS	VITE
GF0073	21	91	1Y.26106080122	SCREW	VIS	VITE
GF0073	22	91	1Y.12992739060	PIPE ASSY	TUYAU	TUBO CPL
GF0073	23	91	1Y.12900559830	SCREW	VIS	VITE
GF0073	24	91	1Y.11425039450	SWITCH	INTERRUPTEUR	INTERRUPTORE
GF0073	25	91	1Y.22190080002	SEAL WASHER	TUYAU	ROSETTA DI TENUTA
GF0073	26	91	1Y.12994849620	PIPE ASSY	TUYAU	TUBO CPL
GF0073	27	91	1Y.12992749620	PIPE ASSY	TUYAU	TUBO CPL
GF0073	28	91	1Y.12992749610	PIPE ASSY	TUYAU	TUBO CPL
GF0073	29	91	1Y.12145042450	PLUG	BOUCHON	TAPPO
GF0073	30	91	1Y.12446544950	GASKET	JOINT	GUARNIZIONE
GF0073	31	91	1Y.12990049870	GASKET	JOINT	GUARNIZIONE
GF0073	32	91	1Y.12992849800	THERMOSTAT	THERMOSTAT	TERMOSTATO
GF0073	33	91	1Y.26106080122	SCREW	VIS	VITE
GF0073	34	91	1Y.23414080000	GASKET	JOINT	GUARNIZIONE
GF0073	35	91	1Y.26106080602	SCREW	VIS	VITE
GF0073	36	91	BAA7212	SCREW	VIS	VITE
GF0073	37	91	1Y.11914144760	PLUG	BOUCHON	TAPPO
GF0073	38	91	1Y.12990042461	PULLEY	POULIE	PULEGGIA
GF0073	39	91	1Y.25132004150	WATER PUMP BELT	COURROIE POMP EAU	CINGHIA POMPA ACQUA
GF0073	40	91	1Y.26106080552	SCREW	VIS	VITE
GF0073	41	91	1Y.26106060302	SCREW	VIS	VITE
GF0073	42	91	1Y.12992742000	POMPA	PUMP	POMPA
GF0073	43	91	1Y.12990042020	GASKET	JOINT	GUARNIZIONE
GF0073	44	91	1Y.12992849420	JOINT	JOINT	GIUNTO
GF0073	45	91	1Y.12994849610	PIPE ASSY	TUYAU	TUBO CPL

Table	Item#	Pg.	Code	Part Description - English	Part Description - French	Part Description - Italian
GF0073	46	91	1Y.26106080122	SCREW	VIS	VITE
GF0073	47	91	1Y.12992879700	CLAMP	COLLIER	FASCETTA
GF0073	48	91	BAL3247	WASHER	RONDELLE	RONDELLA



NUMERO TAVOLA  
TABLE NUMBER  
**GF0074**

VERSIONE  
VERSION  
**00**

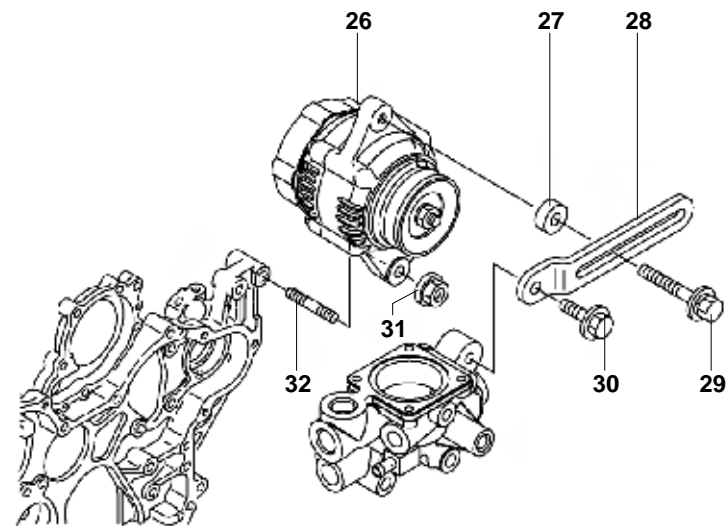
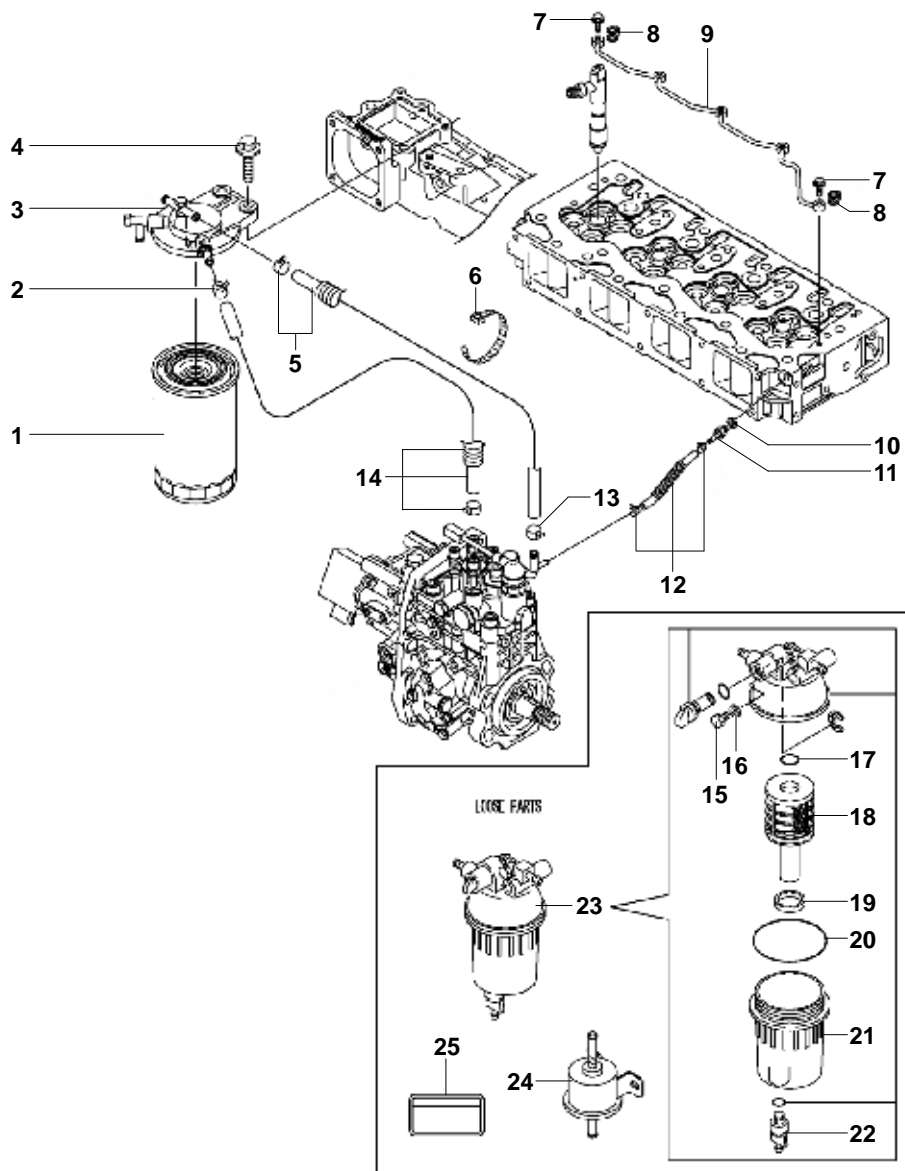
CODICE MACCHINA  
MACHINE CODE  
**APOLLO**  
Matr. 1900



DESCRIZIONE:

PEZZI DI RICAMBIO 6 (PER MOTORE DIESEL TURBO)  
EXCHANGE PIECE 6 ( FOR THURBO-CHARGED DIESEL ENGINE)  
PIECE DE RECHANGE 6 (POUR MOTEUR DIESEL TURBOCOMPRESSE)  
PIEZAS DE REPUESTO 6 ( POR MOTOR DIESEL THE SOBREALIMENTADO)  
ERSETZSTUCK 6 (FUR DIESELTURBOMOTOR)

Table	Item#	Pg.	Code	Part Description - English	Part Description - French	Part Description - Italian
GF0074	1	92	1Y.26106080302	SCREW	VIS	VITE
GF0074	2	92	1Y.26106080202	SCREW	VIS	VITE
GF0074	3	92	1Y.12992751250	SUPPORT	SUPPORT	SUPPORTO
GF0074	4	92	1Y.72994851340	PUMP	POMPE	POMPA
GF0074	5	92	1Y.27241160000	PLUG	BOUCHON	TAPPO
GF0074	6	92	1Y.12992751670	BRACKET	APPUI	SOSTEGNO
GF0074	7	92	1Y.26106060122	SCREW	VIS	VITE
GF0074	8	92	1Y.12992759810	PIPE ASSY	TUYAU	TUBO CPL
GF0074	9	92	1Y.12992759820	PIPE ASSY	TUYAU	TUBO CPL
GF0074	10	92	1Y.12992759830	PIPE ASSY	TUYAU	TUBO CPL
GF0074	11	92	1Y.12992759840	PIPE ASSY	TUYAU	TUBO CPL
GF0074	12	92	1Y.12390711601	SEAL RING	TUYAU	ANELLO DI TENUTA
GF0074	13	92	1Y.72992853100	INJECTOR	INJECTEUR	INIETTORE
GF0074	14	92	1Y.12347259120	BRACKET	APPUI	SOSTEGNO
GF0074	15	92	1Y.12347259120	BRACKET	APPUI	SOSTEGNO
GF0074	16	92	1Y.26366060002	NUT	ECROU	DADO
GF0074	17	92	1Y.12915059120	COLLAR	COLLIER	COLLARE



NUMERO TAVOLA  
TABLE NUMBER  
**GF0075**

VERSIONE  
VERSION  
**00**

CODICE MACCHINA  
MACHINE CODE  
**APOLLO**  
Matr. 1900

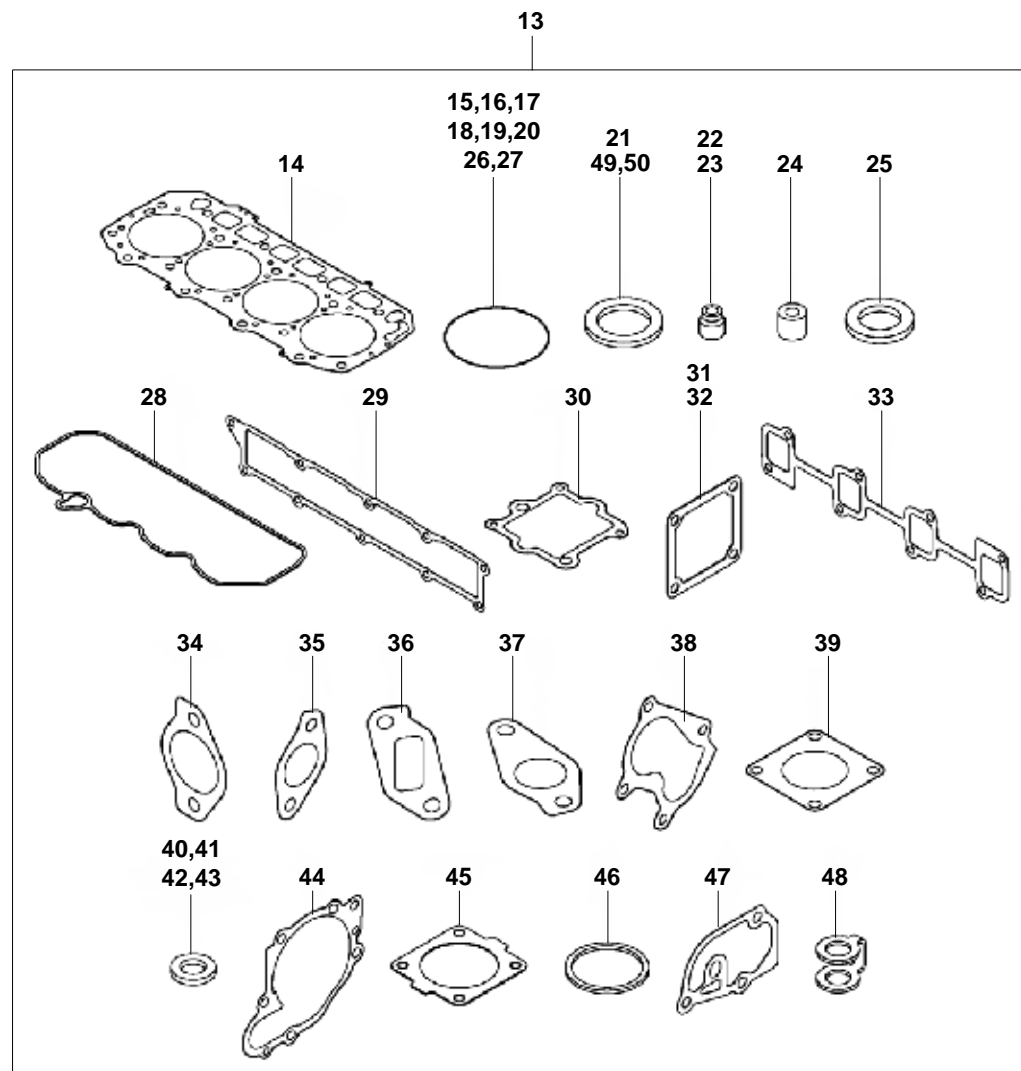
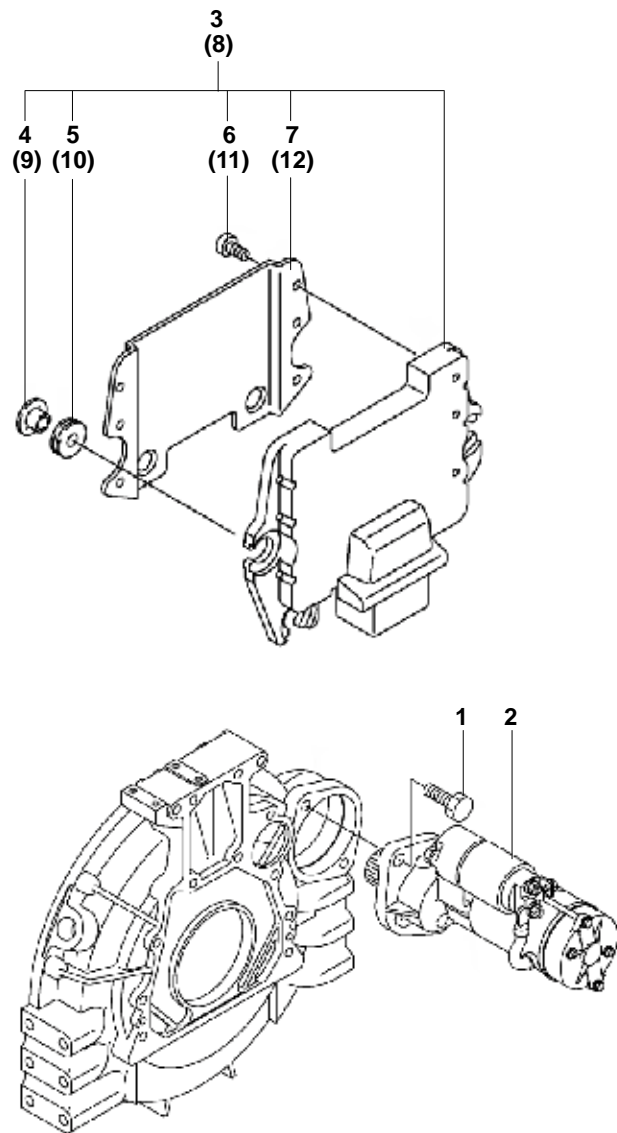


DESCRIZIONE:

PEZZI DI RICAMBIO 7 (PER MOTORE DIESEL TURBO)  
EXCHANGE PIECE 7 ( FOR THURBO-CHARGED DIESEL ENGINE)  
PIECE DE RECHANGE 7 (POUR MOTEUR DIESEL TURBOCOMPRESSE)  
PIEZAS DE REPUESTO 7 ( POR MOTOR DIESEL THE SOBREALIMENTADO)  
ERSETZSTUCK 7 (FUR DIESELTURBOMOTOR)

Table	Item#	Pg.	Code	Part Description - English	Part Description - French	Part Description - Italian
GF0075	1	93	BHC5047	FILTER	FILTRE	FILTRO
GF0075	2	93	1Y.12476659050	CLAMP	ETAU	MORSETTO
GF0075	3	93	1Y.12900455612	BRACKET	APPUI	SOSTEGNO
GF0075	4	93	1Y.26106080302	SCREW	VIS	VITE
GF0075	5	93	1Y.12945759010	PIPE	TUYAU	TUBO
GF0075	6	93	1Y.12175059890	CLAMP	ETAU	MORSETTO
GF0075	7	93	1Y.12390759540	SCREW	VIS	VITE
GF0075	8	93	1Y.12390759550	CLAMP	COLLIER	FASCETTA
GF0075	9	93	1Y.12990759140	PIPE	TUYAU	TUBO
GF0075	10	93	1Y.22190080002	SEAL WASHER	TUYAU	ROSETTA DI TENUTA
GF0075	11	93	1Y.12390759560	JOINT	JOINT	GIUNTO
GF0075	12	93	1Y.12992759550	PIPE	TUYAU	TUBO
GF0075	13	93	1Y.12476659050	CLAMP	ETAU	MORSETTO
GF0075	14	93	1Y.12996159310	PIPE	TUYAU	TUBO
GF0075	15	93	1Y.12924255750	VALVE	SOUPAPE	VALVOLA
GF0075	16	93	1Y.12924255760	WASHER	RONDELLE	RONDELLA
GF0075	17	93	1Y.24311000160	O - RING	JOINT OR	ANELLO OR
GF0075	18	93	BHC5046	ELEMENT	ELEMENT	ELEMENTO
GF0075	19	93	1Y.12924255770	BUSHING	DOUILLE	BOCCOLA
GF0075	20	93	1Y.24321000750	O - RING	JOINT OR	ANELLO OR
GF0075	21	93	1Y.12924255720	COVER	COUVERCLE	COPERCHIO
GF0075	22	93	1Y.12924255740	PLUG	BOUCHON	TAPPO
GF0075	23	93	1Y.12924255700	SEPARATOR ASSY	SEPARATEUR	SEPARATORE ASSIEME
GF0075	24	93	1Y.11922552102	PUMP	POMPE	POMPA
GF0075	25	93	1Y.11411007760	LABEL, FUEL OIL	LABEL	ETICHETTA
GF0075	26	93	1Y.11962677210	ALTERNATOR ASSY	ALTERNATEUR ASSY	ALTERNATORE ASSY
GF0075	27	93	1Y.11994077270	SPACER	ENTRETOISE	DISTANZIALE
GF0075	28	93	1Y.12997277330	ADJUSTER, BELT	CEINTURE	CINGHIA
GF0075	29	93	1Y.12997277341	SCREW	VIS	VITE
GF0075	30	93	1Y.26106080222	SCREW	VIS	VITE
GF0075	31	93	1Y.26306100002	NUT	ECROU	DADO
GF0075	32	93	1Y.12979501900	STUD	GOUJON	PRIGIONIERO





NUMERO TAVOLA  
TABLE NUMBER  
**GF0076**

VERSIONE  
VERSION  
**00**

CODICE MACCHINA  
MACHINE CODE  
**APOLLO**  
Matr. 1900

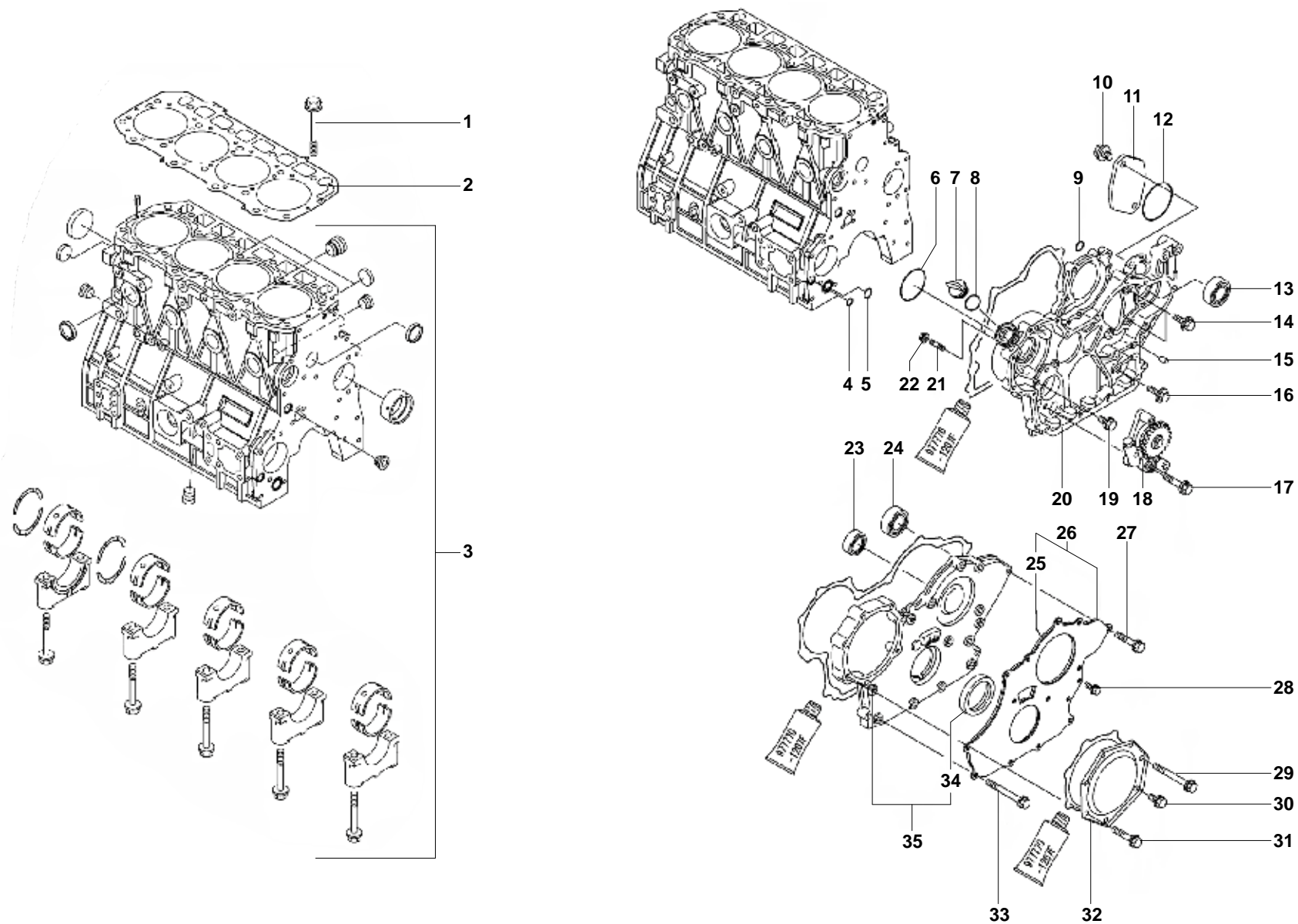


DESCRIZIONE:

PEZZI DI RICAMBIO 8 (PER MOTORE DIESEL TURBO)  
EXCHANGE PIECE 8 ( FOR THURBO-CHARGED DIESEL ENGINE)  
PIECE DE RECHANGE 8 ( POUR MOTEUR DIESEL TURBOCOMPRESSE)  
PIEZAS DE REPUESTO 8 ( POR MOTOR DIESEL THE SOBREALIMENTADO)  
ERSETZSTUCK 8 (FUR DIESELTURBOMOTOR)

Table	Item#	Pg.	Code	Part Description - English	Part Description - French	Part Description - Italian
GF0076	1	94	1Y.26116120252	BOLT	VIS	VITE
GF0076	2	94	1Y.12994077010	STARTER MOTOR	DEMARREUR	MOTORINO AVVIAMENTO
GF0076	3	94	1Y.12994875040	ELECTRICAL MASTER	COEUR ÉLECTRIQUE	CENTRALINA ELETTRICA
GF0076	4	94	1Y.12992777680	COLLAR	COLLIER	COLLARE DI FISSAGGIO
GF0076	5	94	1Y.11957891351	WASHER	RONDELLE	RONDELLA
GF0076	6	94	1Y.22877500080	SCREW	VIS	VITE
GF0076	7	94	1Y.12992777600	SUPPORT	SUPPORT	SUPPORTO
GF0076	8	94	1Y.12992775900	ELECTRICAL MASTER	COEUR ÉLECTRIQUE	CENTRALINA ELETTRICA
GF0076	9	94	1Y.12992777680	COLLAR	COLLIER	COLLARE DI FISSAGGIO
GF0076	10	94	1Y.11957891351	WASHER	RONDELLE	RONDELLA
GF0076	11	94	1Y.22877500080	SCREW	VIS	VITE
GF0076	12	94	1Y.12992777600	SUPPORT	SUPPORT	SUPPORTO
GF0076	13	94	1Y.72992892660	GASKET KIT	KIT DE JOINTS	KIT GUARNIZIONI
GF0076	14	94	1Y.12990701331	GASKET	JOINT	GUARNIZIONE
GF0076	15	94	1Y.12990032030	O - RING	JOINT OR	ANELLO OR
GF0076	16	94	1Y.12990032040	O - RING	JOINT OR	ANELLO OR
GF0076	17	94	1Y.24311000070	O - RING	JOINT OR	ANELLO OR
GF0076	18	94	1Y.24351030750	O - RING	JOINT OR	ANELLO OR
GF0076	19	94	1Y.24311000320	O - RING	JOINT OR	ANELLO OR
GF0076	20	94	1Y.24321000850	O - RING	JOINT OR	ANELLO OR
GF0076	21	94	1Y.22190220002	WASHER	RONDELLE	RONDELLA
GF0076	22	94	1Y.11980311340	SEAL	RONDELLE	ANELLO DI TENUTA
GF0076	23	94	1Y.12416011340	SEAL	RONDELLE	ANELLO DI TENUTA
GF0076	24	94	1Y.11980211870	BUSHING	DOUILLE	BOCCOLA
GF0076	25	94	1Y.11962511880	GASKET	JOINT	GUARNIZIONE
GF0076	26	94	1Y.24311000120	WASHER	RONDELLE	RONDELLA
GF0076	27	94	1Y.24321000600	O - RING	JOINT OR	ANELLO OR
GF0076	28	94	1Y.12993311310	GASKET	JOINT	GUARNIZIONE
GF0076	29	94	1Y.12990712110	GASKET	JOINT	GUARNIZIONE
GF0076	30	94	1Y.12992813720	GASKET	JOINT	GUARNIZIONE
GF0076	31	94	1Y.11912977020	GASKET	JOINT	GUARNIZIONE
GF0076	32	94	1Y.12185077021	GASKET	JOINT	GUARNIZIONE
GF0076	33	94	1Y.12990013251	GASKET	JOINT	GUARNIZIONE
GF0076	34	94	1Y.12992813410	GASKET	JOINT	GUARNIZIONE
GF0076	35	94	1Y.12992713810	GASKET	JOINT	GUARNIZIONE
GF0076	36	94	1Y.12992713910	GASKET	JOINT	GUARNIZIONE
GF0076	37	94	1Y.12992713920	GASKET	JOINT	GUARNIZIONE
GF0076	38	94	1Y.12390118080	GASKET	JOINT	GUARNIZIONE
GF0076	39	94	1Y.12947218090	GASKET	JOINT	GUARNIZIONE
GF0076	40	94	1Y.23414100000	GASKET	JOINT	GUARNIZIONE
GF0076	41	94	1Y.12990839690	GASKET	JOINT	GUARNIZIONE
GF0076	42	94	1Y.23414080000	GASKET	JOINT	GUARNIZIONE
GF0076	43	94	1Y.12446544950	GASKET	JOINT	GUARNIZIONE
GF0076	44	94	1Y.12990042020	GASKET	JOINT	GUARNIZIONE
GF0076	45	94	1Y.12185049540	GASKET	JOINT	GUARNIZIONE

Table	Item#	Pg.	Code	Part Description - English	Part Description - French	Part Description - Italian
GF0076	46	94	1Y.12185049550	GASKET	JOINT	GUARNIZIONE
GF0076	47	94	1Y.12990049870	GASKET	JOINT	GUARNIZIONE
GF0076	48	94	1Y.12390759550	CLAMP	COLLIER	FASCETTA
GF0076	49	94	1Y.22190080002	SEAL WASHER	TUYAU	ROSETTA DI TENUTA
GF0076	50	94	1Y.22190120002	SEAL	RONDELLE	ANELLO DI TENUTA



NUMERO TAVOLA  
TABLE NUMBER  
**GF0097**

VERSIONE  
VERSION  
**00**  
25/03/11

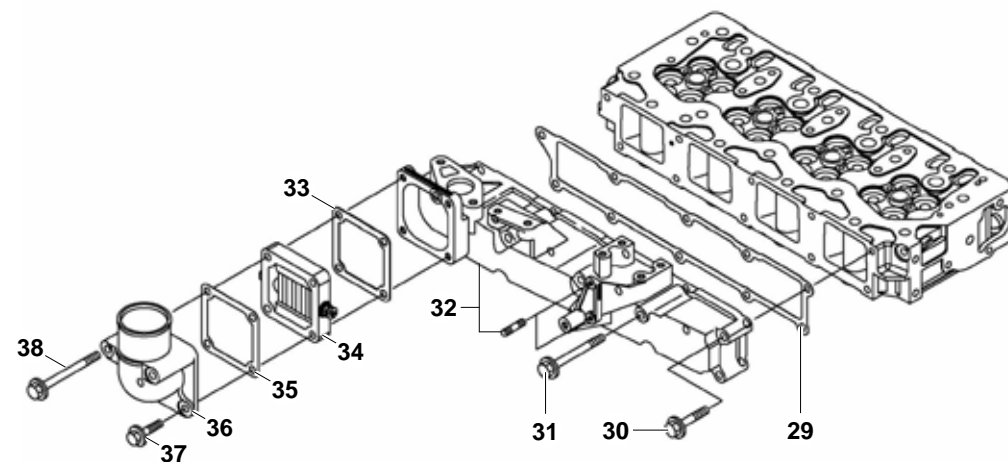
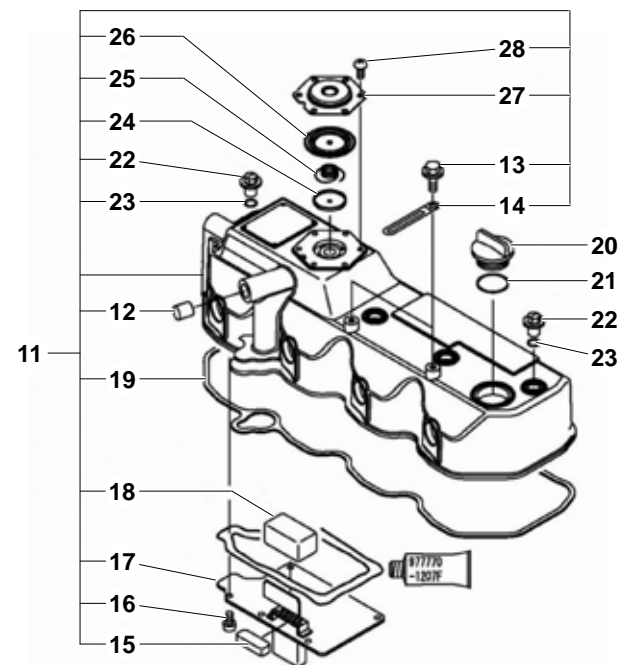
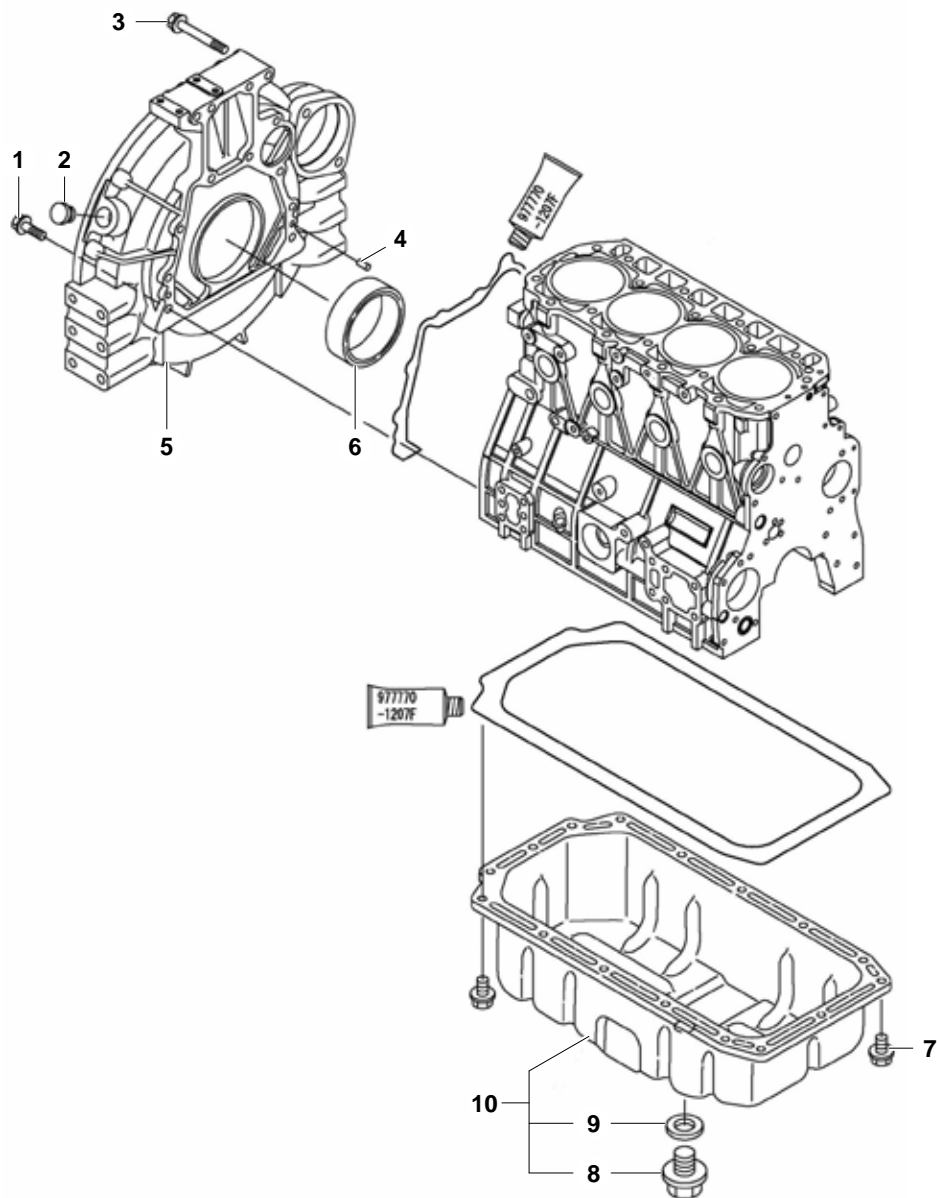
CODICE MACCHINA  
MACHINE CODE  
**APOLLO**  
Matr. 1900



DESCRIZIONE:

PEZZI DI RICAMBIO 1 (PER MOTORE DIESEL ASPIRATO)  
EXCHANGE PIECE 1 (FOR NATURALLY ASPIRATED DIESEL ENGINE)  
PIECE DE RECHANGE 1 (POUR MOTEUR DIESEL A ASPIRATION NATURELLE)  
PIEZAS DE REPUESTO 1 (POR MOTOR DIESEL THE ASPIRACION NATURAL)  
ERSETZSTUCK 1 (FUR DIESEL SAUGMOTORS)

Table	Item#	Pg.	Code	Part Description - English	Part Description - French	Part Description - Italian
GF0097	1	95	1Y.12990001200	BOLT	VIS	VITE
GF0097	2	95	1Y.12990701331	GASKET	JOINT	GUARNIZIONE
GF0097	3	95	1Y.72992701560	ENGINE BLOCK	BLOC MOTEUR	BLOCCO MOTORE
GF0097	4	95	1Y.12990032040	O - RING	JOINT OR	ANELLO OR
GF0097	5	95	1Y.12990032030	O - RING	JOINT OR	ANELLO OR
GF0097	6	95	1Y.24351030750	O - RING	JOINT OR	ANELLO OR
GF0097	7	95	1Y.12416001751	COVER	COUVERCLE	COPERCHIO
GF0097	8	95	1Y.24311000320	O - RING	JOINT OR	ANELLO OR
GF0097	9	95	1Y.24311000070	O - RING	JOINT OR	ANELLO OR
GF0097	10	95	1Y.26106100202	BOLT	VIS	VITE
GF0097	11	95	1Y.12102326070	COVER	COUVERCLE	COPERCHIO
GF0097	12	95	1Y.24321000850	O - RING	JOINT OR	ANELLO OR
GF0097	13	95	1Y.12990026250	BALL BEARING	ROULEMENT A BILLES	CUSCINETTO A SFERE
GF0097	14	95	1Y.26106080202	BOLT	VIS	VITE
GF0097	15	95	1Y.12910001580	PIN	AXE	PERNO
GF0097	16	95	1Y.26106080202	BOLT	VIS	VITE
GF0097	17	95	1Y.26106080452	BOLT	VIS	VITE
GF0097	18	95	1Y.12990032001	PUMP	POMPE	POMPA
GF0097	19	95	1Y.26106080162	BOLT	VIS	VITE
GF0097	20	95	1Y.12996201500	HOUSING	CARTER	CARTER
GF0097	21	95	1Y.26216100302	BOLT	VIS	VITE
GF0097	22	95	1Y.26306100002	NUT	ECROU	DADO
GF0097	23	95	1Y.12990014140	BALL BEARINGS	ROULEMENTS A BILLES	RALLA
GF0097	24	95	1Y.12990026250	BALL BEARING	ROULEMENT A BILLES	CUSCINETTO A SFERE
GF0097	25	95	1Y.12990001870	SPONGE	EPOGE	SPUGNA
GF0097	26	95	1Y.12990001850	COVER	COUVERCLE	COPERCHIO
GF0097	27	95	1Y.26106080402	SCREW	VIS	VITE
GF0097	28	95	1Y.26106080162	SCREW	VIS	VITE
GF0097	29	95	1Y.26106080702	SCREW	VIS	VITE
GF0097	30	95	1Y.26106080162	SCREW	VIS	VITE
GF0097	31	95	1Y.26106080402	SCREW	VIS	VITE
GF0097	32	95	1Y.12990001740	COVER	COUVERCLE	COPERCHIO
GF0097	33	95	1Y.26106080702	SCREW	VIS	VITE
GF0097	34	95	1Y.12991601800	SEAL	RONDELLE	ANELLO DI TENUTA
GF0097	35	95	1Y.72990601550	COVER	COUVERCLE	COPERCHIO



NUMERO TAVOLA  
TABLE NUMBER  
**GF0098**

VERSIONE  
VERSION  
**00**  
25/03/11

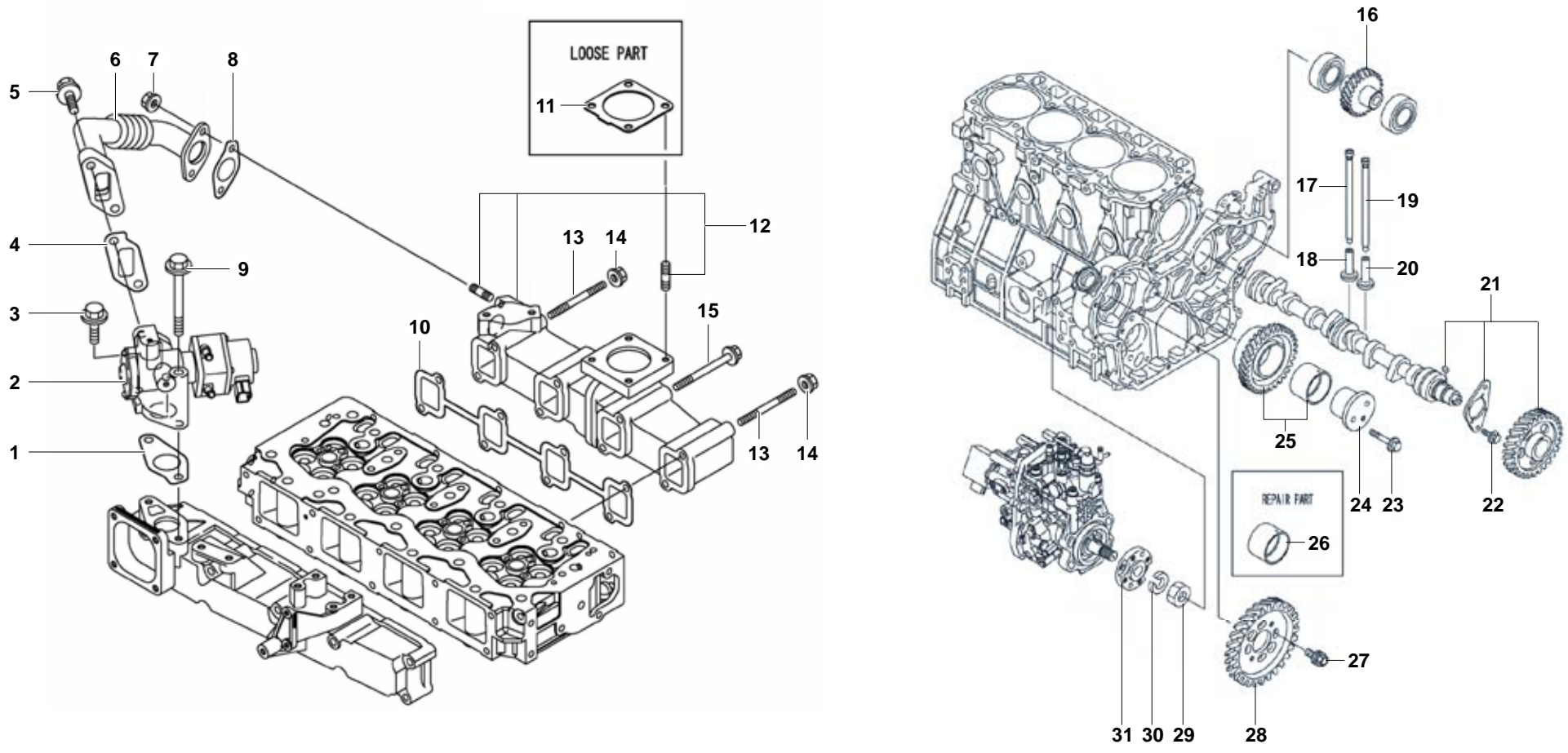
CODICE MACCHINA  
MACHINE CODE  
**APOLLO**  
Matr. 1900



DESCRIZIONE:

PEZZI DI RICAMBIO 2 (PER MOTORE DIESEL ASPIRATO)  
EXCHANGE PIECE 2 ( FOR NATURALLY ASPIRATED DIESEL ENGINE)  
PIECE DE RECHANGE 2 ( POUR MOTEUR DIESEL A ASPIRATION NATURELLE)  
PIEZAS DE REPUESTO 2 ( POR MOTOR DIESEL THE ASPIRACION NATURAL)  
ERSETZSTUCK 2 (FUR DIESEL SAUGMOTORS)

Table	Item#	Pg.	Code	Part Description - English	Part Description - French	Part Description - Italian
GF0098	1	96	1Y.26206100352	SCREW	VIS	VITE
GF0098	2	96	1Y.11962001750	CAP, FLYWHEEL COVER	VOLANT DE COUVERTURE	COPERTURA VOLANO
GF0098	3	96	1Y.26206100702	SCREW	VIS	VITE
GF0098	4	96	1Y.12910001580	PIN	AXE	PERNO
GF0098	5	96	1Y.12990001620	HOUSING ASSY, WHEEL	JOINT	GUARNIZIONE
GF0098	6	96	1Y.12991601790	SEAL	RONDELLE	ANELLO DI TENUTA
GF0098	7	96	1Y.26106080122	SCREW	VIS	VITE
GF0098	8	96	1Y.11964001640	PLUG	BOUCHON	TAPPO
GF0098	9	96	1Y.22190220002	WASHER	RONDELLE	RONDELLA
GF0098	10	96	1Y.12991601710	OIL TANK	RESERVOIR HUILE	SERBATOIO OLIO
GF0098	11	96	1Y.12992711320	COVER	COUVERCLE	ASSIEME COPERCHIO
GF0098	12	96	1Y.11964061400	PLUG	BOUCHON	TAPPO
GF0098	13	96	1Y.26106060122	SCREW	VIS	VITE
GF0098	14	96	1Y.17533979700	CLIP	COLLIER	COLLARE DI FISSAGGIO
GF0098	15	96	1Y.12990703061	BAFFLE	CLOISON	DEFLETTORE
GF0098	16	96	1Y.22857500100	SCREW	VIS	VITE
GF0098	17	96	1Y.12990703011	PALATE, BAFFLE	JOINT	GUARNIZIONE
GF0098	18	96	1Y.12990703070	BAFFLE	CLOISON	DEFLETTORE
GF0098	19	96	1Y.12993311310	GASKET	JOINT	GUARNIZIONE
GF0098	20	96	1Y.12416001751	COVER	COUVERCLE	COPERCHIO
GF0098	21	96	1Y.24311000320	O - RING	JOINT OR	ANELLO OR
GF0098	22	96	1Y.12416011360	SCREW	VIS	VITE
GF0098	23	96	1Y.24311000120	WASHER	RONDELLE	RONDELLA
GF0098	24	96	1Y.12390703110	PLATE	PLAQUE	PIASTRA
GF0098	25	96	1Y.12390703140	SPRING	RESSORT	MOLLA
GF0098	26	96	1Y.12390703100	DIAPHRAGM, BREATHER	RENIFLARD	DIAFRAMMA DI SFIATO
GF0098	27	96	1Y.12390703120	PLATE, BREATHER	PLAQUE	PIASTRA DI SFIATO
GF0098	28	96	1Y.22857500100	SCREW	VIS	VITE
GF0098	29	96	1Y.12990712110	GASKET	JOINT	GUARNIZIONE
GF0098	30	96	1Y.26106080452	SCREW	VIS	VITE
GF0098	31	96	1Y.26106080802	SCREW	VIS	VITE
GF0098	32	96	1Y.12992712150	MANIFOLD	COLLECTEUR	COLLETTORE
GF0098	33	96	1Y.12185077021	GASKET	JOINT	GUARNIZIONE
GF0098	34	96	1Y.11900577051	HEATER	RECHAUFFEUR	RISCALDATORE
GF0098	35	96	1Y.11912977020	GASKET	JOINT	GUARNIZIONE
GF0098	36	96	1Y.11912977520	BEND	COUDE	CURVA
GF0098	37	96	1Y.26106080402	SCREW	VIS	VITE
GF0098	38	96	1Y.26106080902	SCREW	VIS	VITE




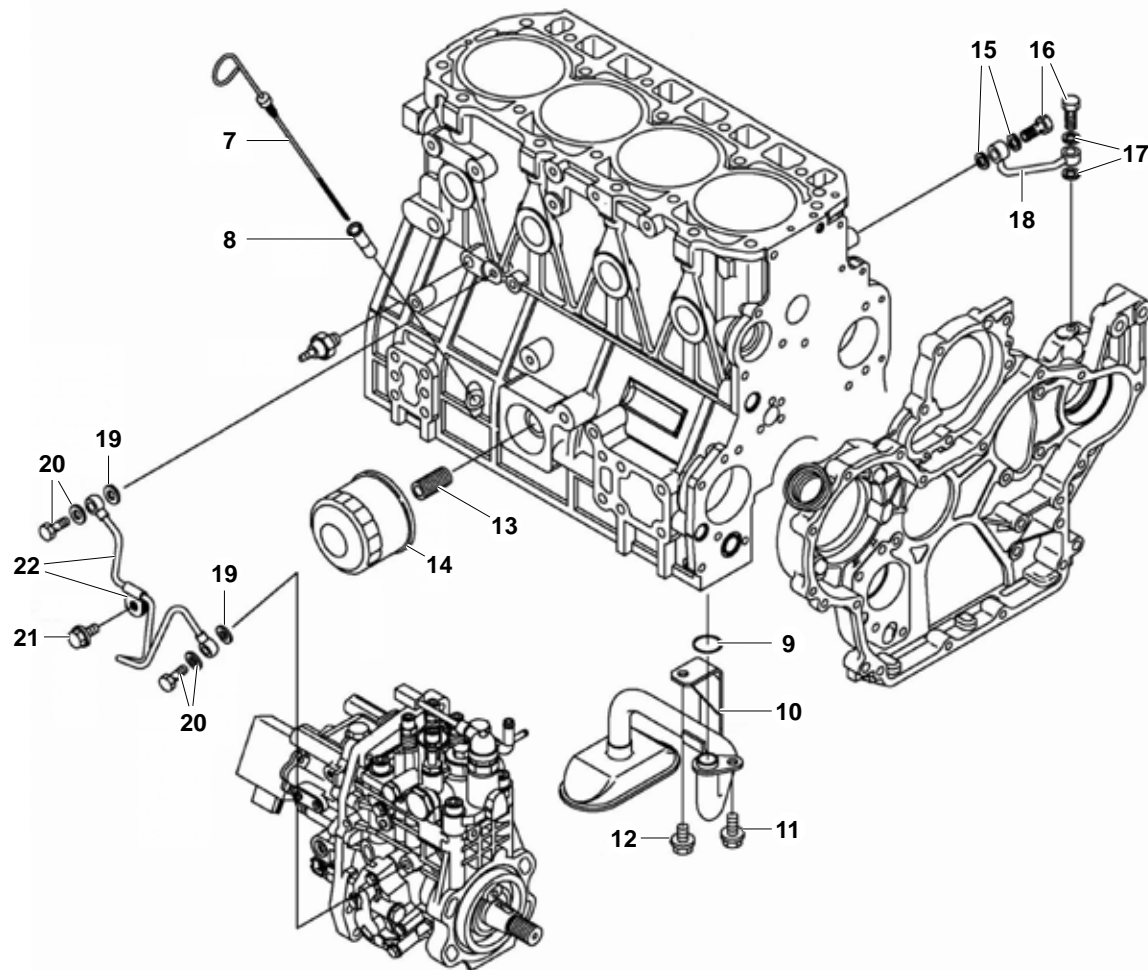
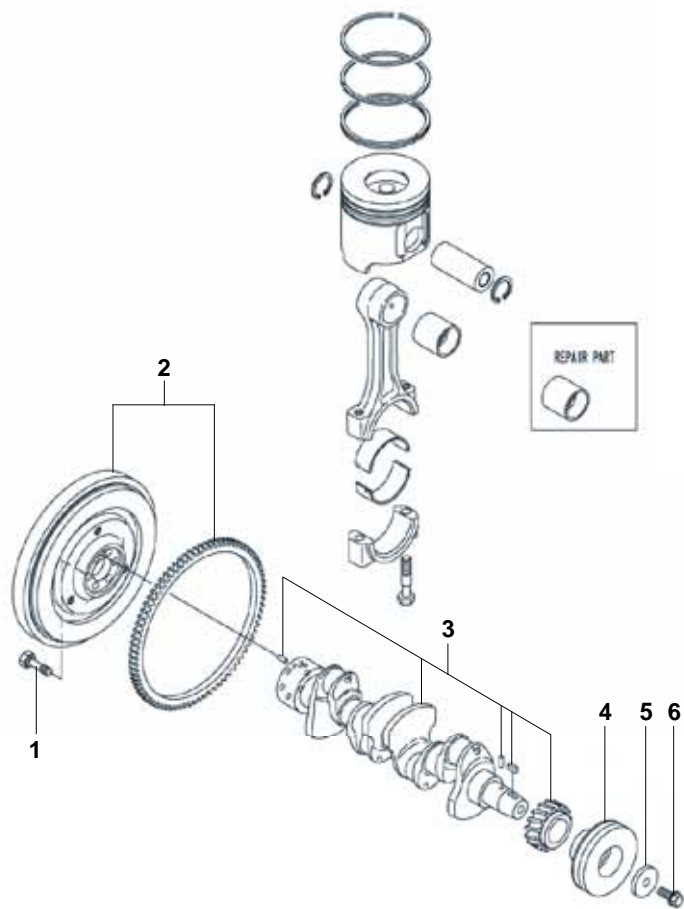
<b>NUMERO TAVOLA</b> <b>TABLE NUMBER</b> <b>GF0099</b>	<b>VERSIONE</b> <b>VERSION</b> <b>00</b> <b>25/03/11</b>	<b>CODICE MACCHINA</b> <b>MACHINE CODE</b> <b>APOLLO</b> <b>Matr. 1900</b>		<b>DESCRIZIONE:</b>	<b>PEZZI DI RICAMBIO 3 (PER MOTORE DIESEL ASPIRATO)</b> <b>EXCHANGE PIECE 3 ( FOR NATURALLY ASPIRATED DIESEL ENGINE)</b> <b>PIECE DE RECHANGE 3 (POUR MOTEUR DIESEL A ASPIRATION NATURALLE)</b> <b>PIEZAS DE REPUESTO 3 ( POR MOTOR DIESEL THE ASPIRACION NATURAL)</b> <b>ERSETZSTUCK 3 (FUR DIESEL SAUGMOTORS)</b>
--	---	---	---	---------------------	---



Table	Item#	Pg.	Code	Part Description - English	Part Description - French	Part Description - Italian
GF0099	1	97	1Y.12992713920	GASKET	JOINT	GUARNIZIONE
GF0099	2	97	1Y.12992813900	VALVE	SOUPAPE	VALVOLA
GF0099	3	97	1Y.26106100302	SCREW	VIS	VITE
GF0099	4	97	1Y.12992713910	GASKET	JOINT	GUARNIZIONE
GF0099	5	97	1Y.26106100302	SCREW	VIS	VITE
GF0099	6	97	1Y.12992713800	PIPE	TUYAU	TUBO
GF0099	7	97	1Y.26306080002	NUT	ECROU	DADO
GF0099	8	97	1Y.12992713810	GASKET	JOINT	GUARNIZIONE
GF0099	9	97	1Y.26106100952	SCREW	VIS	VITE
GF0099	10	97	1Y.12990013251	GASKET	JOINT	GUARNIZIONE
GF0099	11	97	1Y.12993013201	GASKET	JOINT	GUARNIZIONE
GF0099	12	97	1Y.12992713150	MANIFOLD	COLLECTEUR	COLLETTORE
GF0099	13	97	1Y.12926313210	STUD	GOUJON	PRIGIONIERO
GF0099	14	97	1Y.26306080002	NUT	ECROU	DADO
GF0099	15	97	1Y.11980213680	SCREW	VIS	VITE
GF0099	16	97	1Y.12990026030	GEAR	ENGRANAGE	INGRANAGGIO
GF0099	17	97	1Y.12990714400	ROD	TIGE	ASTA
GF0099	18	97	1Y.12915014200	PIN	AXE	PERNO
GF0099	19	97	1Y.12990714400	ROD	TIGE	ASTA
GF0099	20	97	1Y.12915014200	PIN	AXE	PERNO
GF0099	21	97	1Y.12990814590	CAMSHAFT, ASSY	ARBRE A CAMES	ALBERO A CAMME
GF0099	22	97	1Y.26106080162	SCREW	VIS	VITE
GF0099	23	97	1Y.26106080552	SCREW	VIS	VITE
GF0099	24	97	1Y.12390025060	V-PULLEY, CRANKSHAFT	VILEBREQUIN	ALBERO
GF0099	25	97	1Y.12990025110	GEAR	ENGRANAGE	INGRANAGGIO
GF0099	26	97	1Y.12915025920	BUSHING	DOUILLE	BOCCOLA
GF0099	27	97	1Y.12995325300	SCREW	VIS	VITE
GF0099	28	97	1Y.12990725900	GEAR	ENGRANAGE	INGRANAGGIO
GF0099	29	97	1Y.26776180002	NUT	ECROU	DADO
GF0099	30	97	1Y.22217180000	SPRING WASHER	RONDELLE ELASTIQUE	ROSETTA ELASTICA
GF0099	31	97	1Y.15856351150	FLANGE	BRIDE	FLANGIA



NUMERO TAVOLA  
TABLE NUMBER  
**GF0100**

VERSIONE  
VERSION  
**00**  
25/03/11

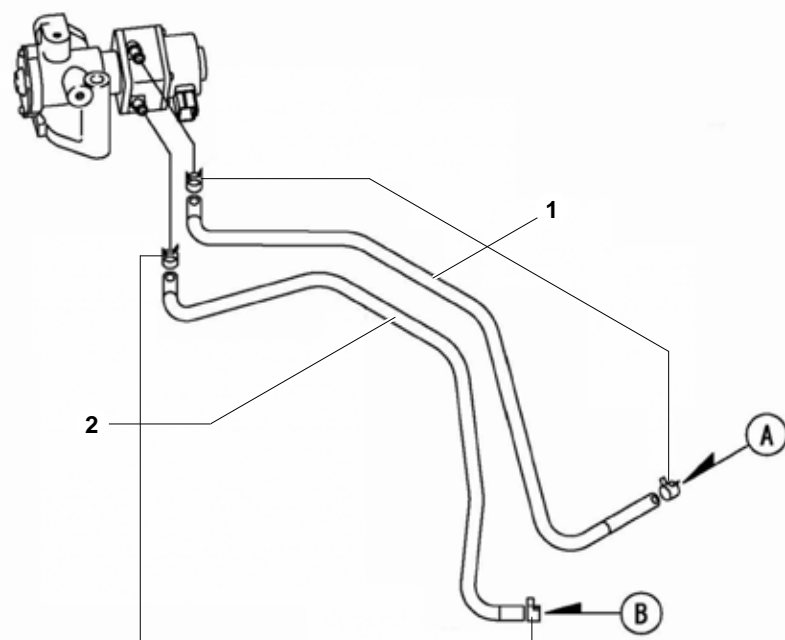
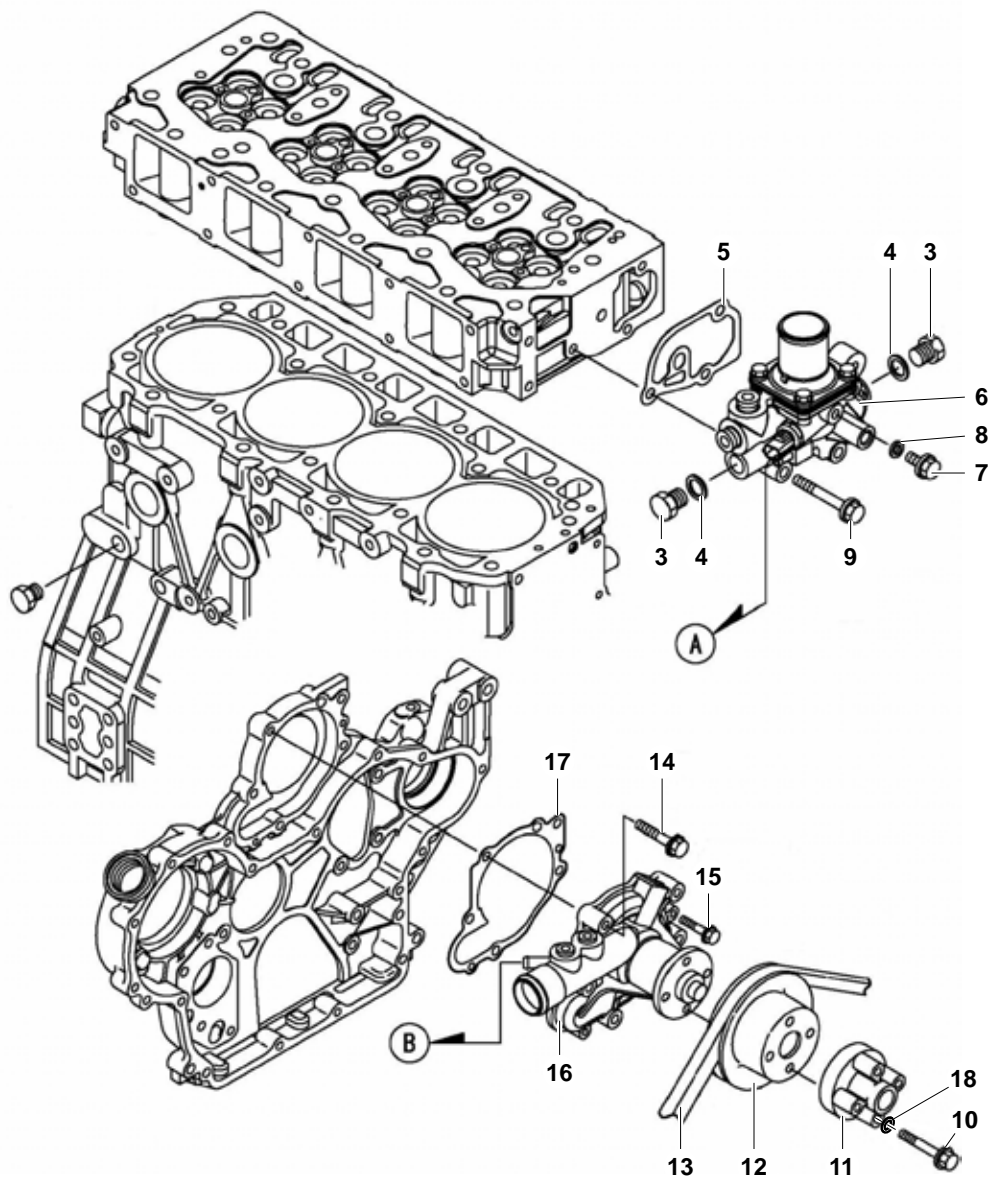
CODICE MACCHINA  
MACHINE CODE  
**APOLLO**  
Matr. 1900



DESCRIZIONE:

PEZZI DI RICAMBIO 4 (PER MOTORE DIESEL ASPIRATO)  
EXCHANGE PIECE 4 (FOR NATURALLY ASPIRATED DIESEL ENGINE)  
PIECE DE RECHANGE 4 (POUR MOTEUR DIESEL A ASPIRATION NATURELLE)  
PIEZAS DE REPUESTO 4 (POR MOTOR DIESEL THE ASPIRACION NATURAL)  
ERSETZSTUCK 4 (FUR DIESEL SAUGMOTORS)

Table	Item#	Pg.	Code	Part Description - English	Part Description - French	Part Description - Italian
GF0100	1	98	1Y.12185021130	SCREW	VIS	VITE
GF0100	2	98	1Y.12995321570	PULLEY	POULIE	PULEGGIA
GF0100	3	98	1Y.12990221050	V-PULLEY, CRANKSHAFT	VILEBREQUIN	ALBERO
GF0100	4	98	1Y.12990721660	V-PULLEY, CRANKSHAFT	VILEBREQUIN	ALBERO
GF0100	5	98	1Y.12990021640	WASHER	RONDELLE	RONDELLA
GF0100	6	98	1Y.12185021680	SCREW	VIS	VITE
GF0100	7	98	1Y.12995334830	ROD	TIGE	ASTA
GF0100	8	98	1Y.12152034810	GUIDE	GUIDE	GUIDA
GF0100	9	98	1Y.12990032030	O - RING	JOINT OR	ANELLO OR
GF0100	10	98	1Y.12995335000	PIPE ASSY	TUYAU	TUBO CPL
GF0100	11	98	1Y.26106080162	SCREW	VIS	VITE
GF0100	12	98	1Y.26106080122	SCREW	VIS	VITE
GF0100	13	98	1Y.11900035140	STUD	GOUJON	PRIGIONIERO
GF0100	14	98	BHC5044	FILTER	FILTRE	FILTRO
GF0100	15	98	1Y.22190080002	SEAL WASHER	TUYAU	ROSETTA DI TENUTA
GF0100	16	98	1Y.10501039140	BOLT	VIS	VITE
GF0100	17	98	1Y.22190080002	SEAL WASHER	TUYAU	ROSETTA DI TENUTA
GF0100	18	98	1Y.12993039050	PIPE	TUYAU	TUBO
GF0100	19	98	1Y.22190080002	SEAL WASHER	TUYAU	ROSETTA DI TENUTA
GF0100	20	98	1Y.12900559830	SCREW	VIS	VITE
GF0100	21	98	1Y.26106080122	SCREW	VIS	VITE
GF0100	22	98	1Y.12992739060	PIPE ASSY	TUYAU	TUBO CPL



NUMERO TAVOLA  
TABLE NUMBER  
**GF0101**

VERSIONE  
VERSION  
**00**  
25/03/11

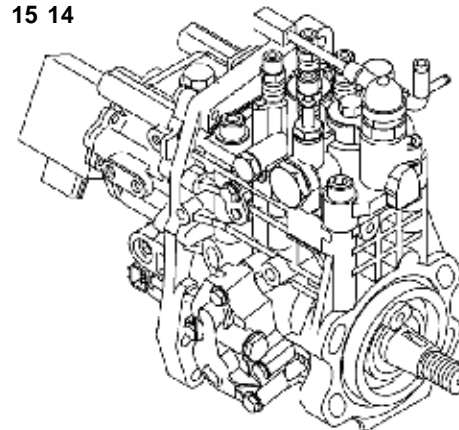
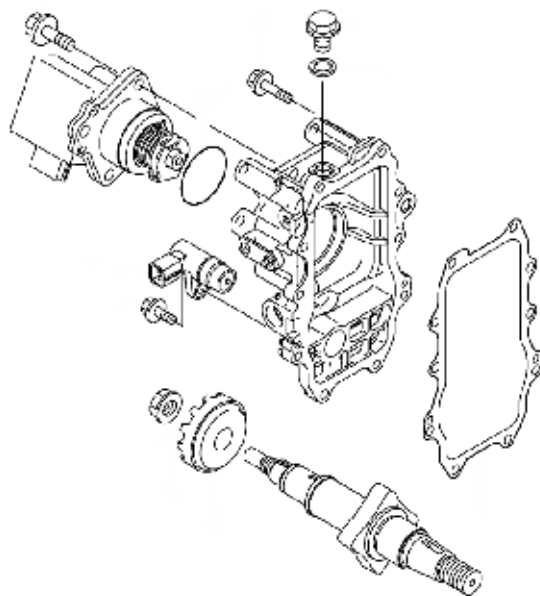
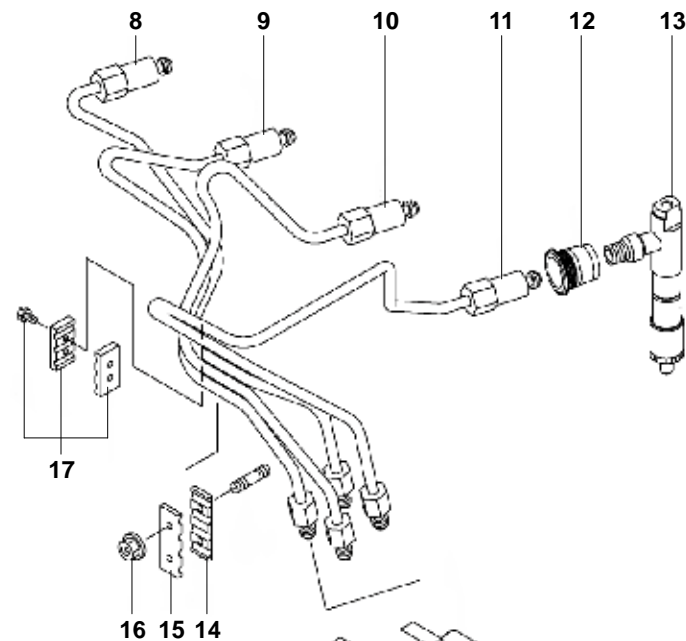
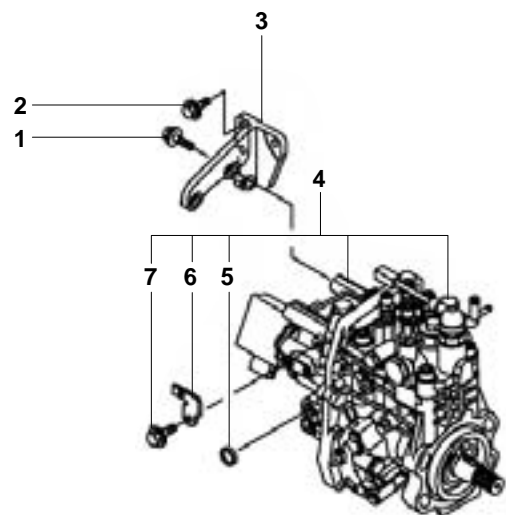
CODICE MACCHINA  
MACHINE CODE  
**APOLLO**  
Matr. 1900



DESCRIZIONE:

PEZZI DI RICAMBIO 5 (PER MOTORE DIESEL ASPIRATO)  
EXCHANGE PIECE 5 (FOR NATURALLY ASPIRATED DIESEL ENGINE)  
PIECE DE RECHANGE 5 (POUR MOTEUR DIESEL A ASPIRATION NATURELLE)  
PIEZAS DE REPUESTO 5 (POR MOTOR DIESEL THE ASPIRACION NATURAL)  
ERSETZSTUCK 5 (FUR DIESEL SAUGMOTORS)

Table	Item#	Pg.	Code	Part Description - English	Part Description - French	Part Description - Italian
GF0101	1	99	1Y.12992749620	PIPE ASSY	TUYAU	TUBO CPL
GF0101	2	99	1Y.12992749610	PIPE ASSY	TUYAU	TUBO CPL
GF0101	3	99	1Y.12145042450	PLUG	BOUCHON	TAPPO
GF0101	4	99	1Y.12446544950	GASKET	JOINT	GUARNIZIONE
GF0101	5	99	1Y.12990049870	GASKET	JOINT	GUARNIZIONE
GF0101	6	99	1Y.12992749800	THERMOSTAT	THERMOSTAT	TERMOSTATO
GF0101	7	99	1Y.26106080122	SCREW	VIS	VITE
GF0101	8	99	1Y.23414080000	GASKET	JOINT	GUARNIZIONE
GF0101	9	99	1Y.26106080602	SCREW	VIS	VITE
GF0101	10	99	BAA7212	SCREW	VIS	VITE
GF0101	11	99	1Y.11914144760	PLUG	BOUCHON	TAPPO
GF0101	12	99	1Y.12990042450	PULLEY	POULIE	PULEGGIA
GF0101	13	99	1Y.25132004150	WATER PUMP BELT	COURROIE POMP EAU	CINGHIA POMPA ACQUA
GF0101	14	99	1Y.26106080552	SCREW	VIS	VITE
GF0101	15	99	1Y.26106060302	SCREW	VIS	VITE
GF0101	16	99	1Y.12992742000	POMPA	PUMP	POMPA
GF0101	17	99	1Y.12990042020	GASKET	JOINT	GUARNIZIONE
GF0101	18	99	BAL3247	WASHER	RONDELLE	RONDELLA



NUMERO TAVOLA  
TABLE NUMBER  
**GF0102**

VERSIONE  
VERSION  
**00**  
25/03/11

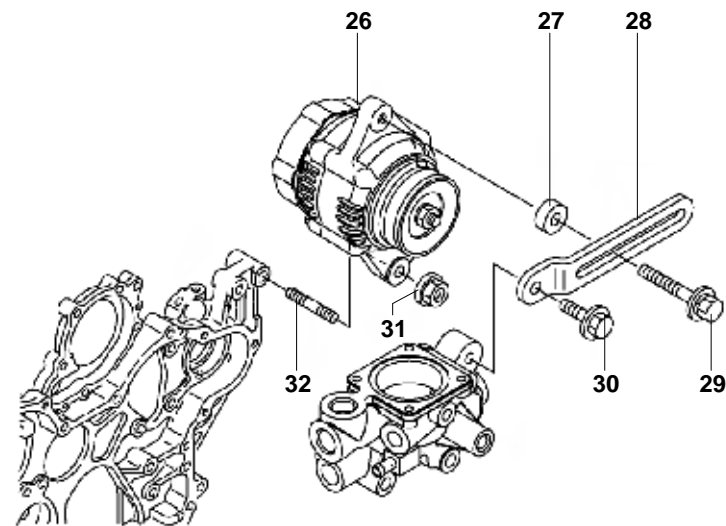
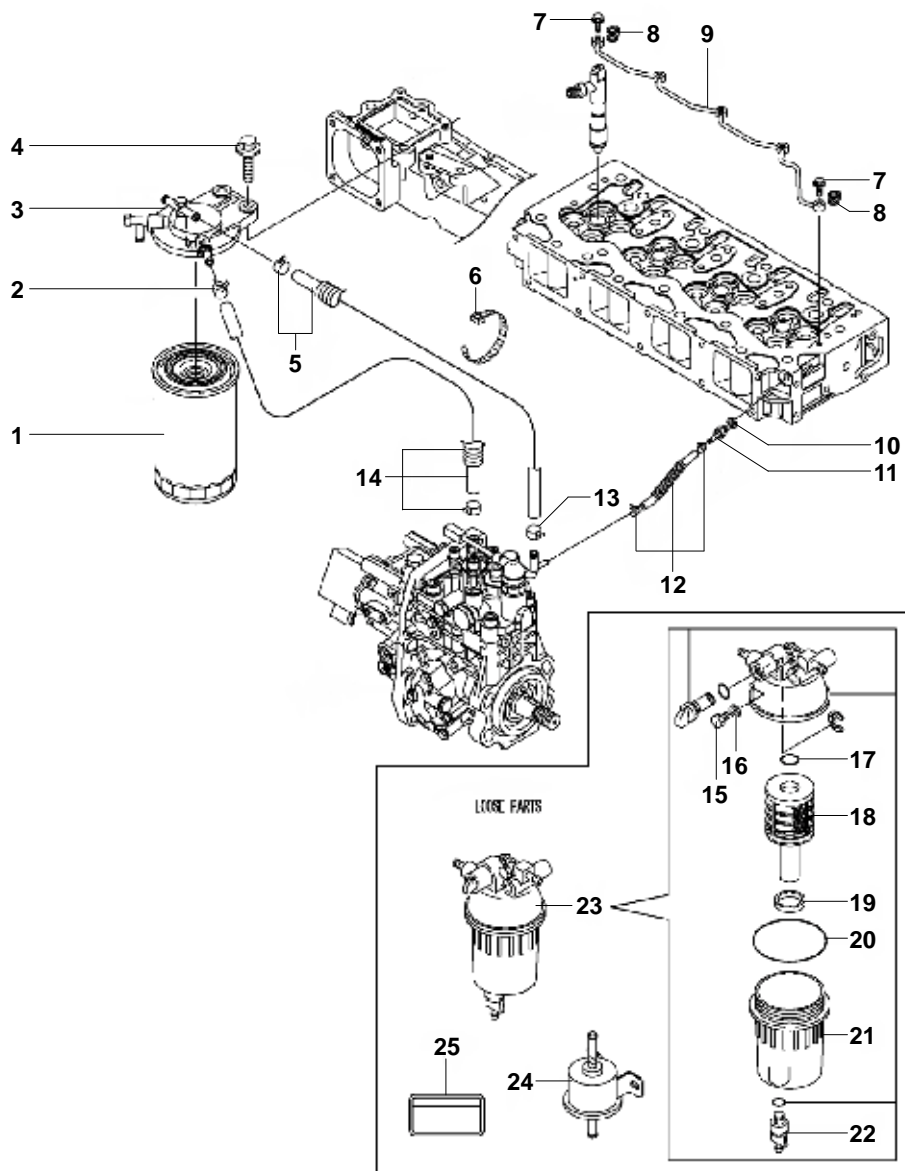
CODICE MACCHINA  
MACHINE CODE  
**APOLLO**  
Matr. 1900



DESCRIZIONE:

PEZZI DI RICAMBIO 6 (PER MOTORE DIESEL ASPIRATO)  
EXCHANGE PIECE 6 ( FOR NATURALLY ASPIRATED DIESEL ENGINE)  
PIECE DE RECHANGE 6 (POUR MOTEUR DIESEL A ASPIRATION NATURALLE)  
PIEZAS DE REPUESTO 6 ( POR MOTOR DIESEL THE ASPIRACION NATURAL)  
ERSETZSTUCK 6 (FUR DIESEL SAUGMOTORS)

Table	Item#	Pg.	Code	Part Description - English	Part Description - French	Part Description - Italian
GF0102	1	100	1Y.26106080302	SCREW	VIS	VITE
GF0102	2	100	1Y.26106080202	SCREW	VIS	VITE
GF0102	3	100	1Y.12992751250	SUPPORT	SUPPORT	SUPPORTO
GF0102	4	100	1Y.72992151310	PUMP	POMPE	POMPA
GF0102	5	100	1Y.27241160000	PLUG	BOUCHON	TAPPO
GF0102	6	100	1Y.12992751670	BRACKET	APPUI	SOSTEGNO
GF0102	7	100	1Y.26106060122	SCREW	VIS	VITE
GF0102	8	100	1Y.12992759810	PIPE ASSY	TUYAU	TUBO CPL
GF0102	9	100	1Y.12992759820	PIPE ASSY	TUYAU	TUBO CPL
GF0102	10	100	1Y.12992759830	PIPE ASSY	TUYAU	TUBO CPL
GF0102	11	100	1Y.12992759840	PIPE ASSY	TUYAU	TUBO CPL
GF0102	12	100	1Y.12390711601	SEAL RING	TUYAU	ANELLO DI TENUTA
GF0102	13	100	1Y.72992753100	INJECTOR	INJECTEUR	INIETTORE
GF0102	14	100	1Y.12347259120	BRACKET	APPUI	SOSTEGNO
GF0102	15	100	1Y.12347259120	BRACKET	APPUI	SOSTEGNO
GF0102	16	100	1Y.26366060002	NUT	ECROU	DADO
GF0102	17	100	1Y.12915059120	COLLAR	COLLIER	COLLARE



NUMERO TAVOLA  
TABLE NUMBER  
**GF0103**

VERSIONE  
VERSION  
**00**  
25/03/11

CODICE MACCHINA  
MACHINE CODE  
**APOLLO**  
Matr. 1900

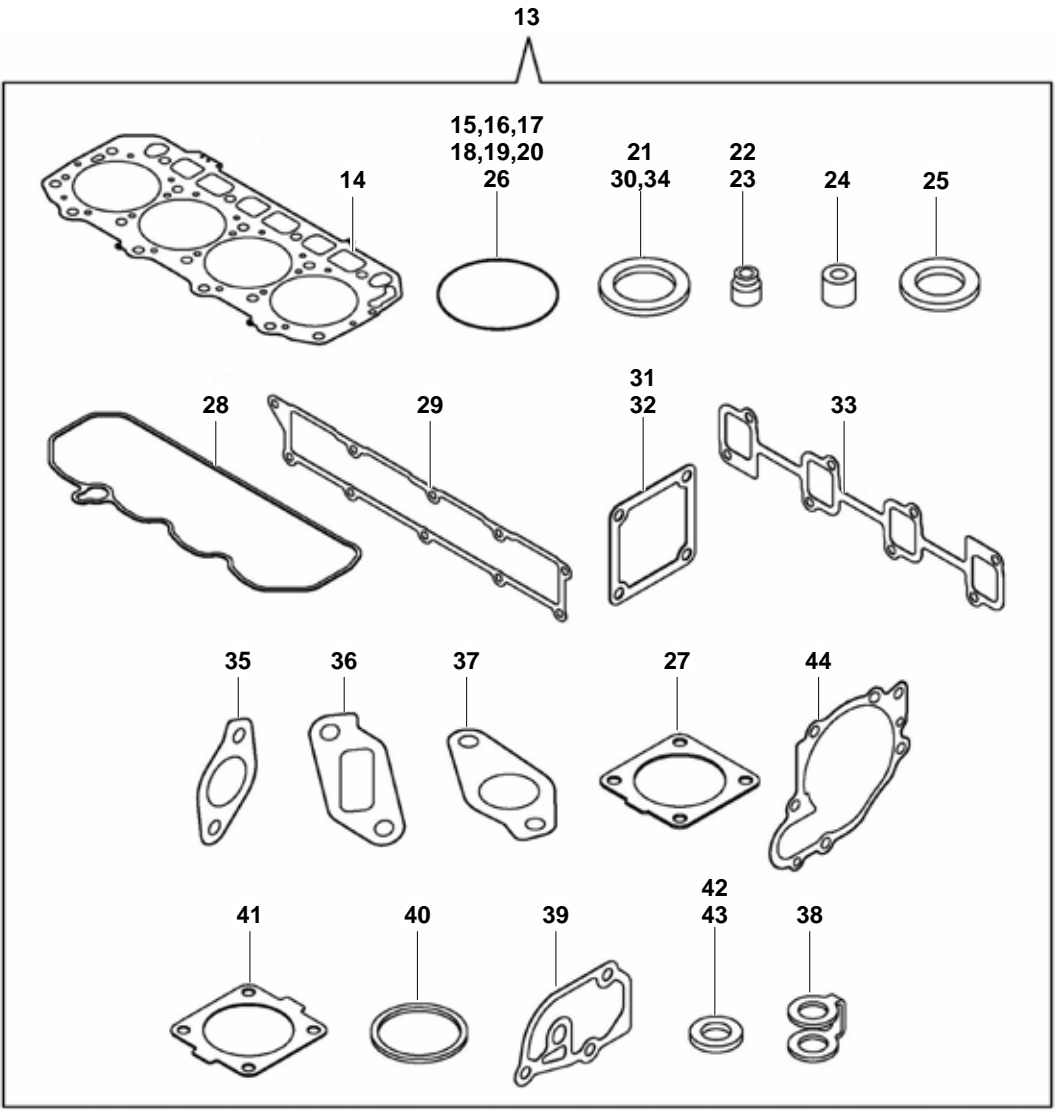
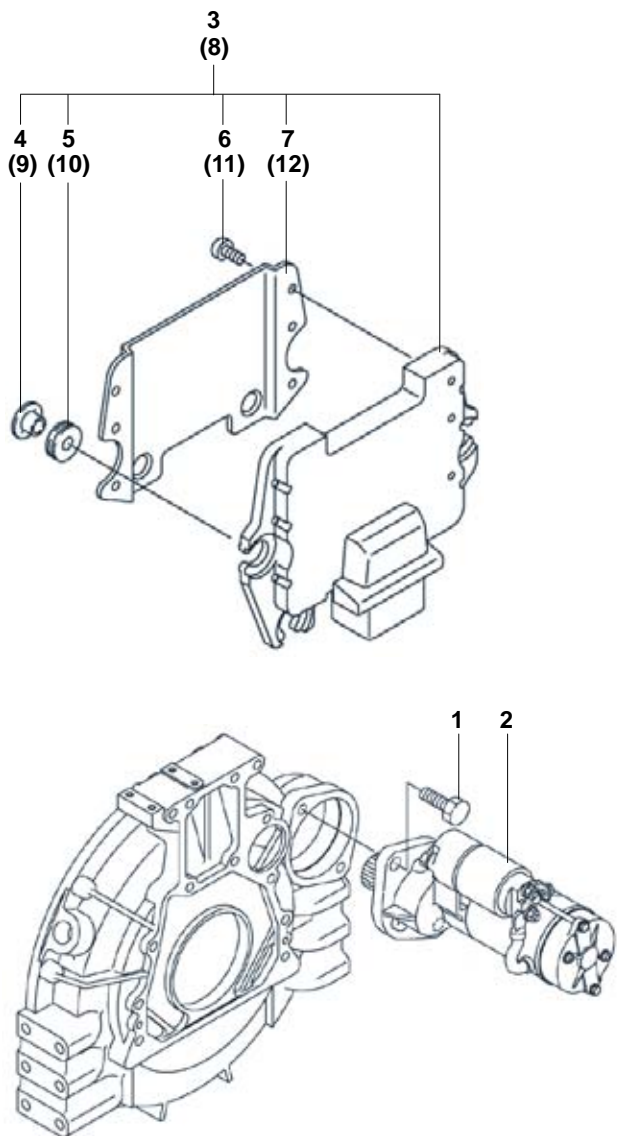


DESCRIZIONE:

PEZZI DI RICAMBIO 7 (PER MOTORE DIESEL ASPIRATO)  
EXCHANGE PIECE 7 ( FOR NATURALLY ASPIRATED DIESEL ENGINE)  
PIECE DE RECHANGE 7 ( POUR MOTEUR DIESEL A ASPIRATION NATURELLE)  
PIEZAS DE REPUESTO 7 ( POR MOTOR DIESEL THE ASPIRACION NATURAL)  
ERSETZSTUCK 7 (FUR DIESEL SAUGMOTORS)



Table	Item#	Pg.	Code	Part Description - English	Part Description - French	Part Description - Italian
GF0103	1	101	BHC5045	FILTER	FILTRE	FILTRO
GF0103	2	101	1Y.12476659050	CLAMP	ETAU	MORSETTO
GF0103	3	101	1Y.12900455612	BRACKET	APPUI	SOSTEGNO
GF0103	4	101	1Y.26106080302	SCREW	VIS	VITE
GF0103	5	101	1Y.12945759010	PIPE	TUYAU	TUBO
GF0103	6	101	1Y.12175059890	CLAMP	ETAU	MORSETTO
GF0103	7	101	1Y.12390759540	SCREW	VIS	VITE
GF0103	8	101	1Y.12390759550	CLAMP	COLLIER	FASCETTA
GF0103	9	101	1Y.12990759140	PIPE	TUYAU	TUBO
GF0103	10	101	1Y.22190080002	SEAL WASHER	TUYAU	ROSETTA DI TENUTA
GF0103	11	101	1Y.12390759560	JOINT	JOINT	GIUNTO
GF0103	12	101	1Y.12992759550	PIPE	TUYAU	TUBO
GF0103	13	101	1Y.12476659050	CLAMP	ETAU	MORSETTO
GF0103	14	101	1Y.12996159310	PIPE	TUYAU	TUBO
GF0103	15	101	1Y.12924255750	VALVE	SOUPAPE	VALVOLA
GF0103	16	101	1Y.12924255760	WASHER	RONDELLE	RONDELLA
GF0103	17	101	1Y.24311000160	O - RING	JOINT OR	ANELLO OR
GF0103	18	101	BHC5046	FILTER	FILTRE	FILTRO
GF0103	19	101	1Y.12924255770	BUSHING	DOUILLE	BOCCOLA
GF0103	20	101	1Y.24321000750	O - RING	JOINT OR	ANELLO OR
GF0103	21	101	1Y.12924255720	COVER	COUVERCLE	COPERCHIO
GF0103	22	101	1Y.12924255740	PLUG	BOUCHON	TAPPO
GF0103	23	101	1Y.12924255700	SEPARATOR ASSY	SEPARATEUR	SEPARATORE ASSIEME
GF0103	24	101	1Y.11922552102	PUMP	POMPE	POMPA
GF0103	25	101	1Y.11411007760	LABEL, FUEL OIL	LABEL	ETICHETTA
GF0103	26	101	1Y.11962677210	ALTERNATOR ASSY	ALTERNATEUR ASSY	ALTERNATORE ASSY
GF0103	27	101	1Y.11994077270	SPACER	ENTRETOISE	DISTANZIALE
GF0103	28	101	1Y.12997277330	ADJUSTER, BELT	CEINTURE	CINGHIA
GF0103	29	101	1Y.12997277341	SCREW	VIS	VITE
GF0103	30	101	1Y.26106080222	SCREW	VIS	VITE
GF0103	31	101	1Y.26306100002	NUT	ECROU	DADO
GF0103	32	101	1Y.12979501900	STUD	GOUJON	PRIGIONIERO





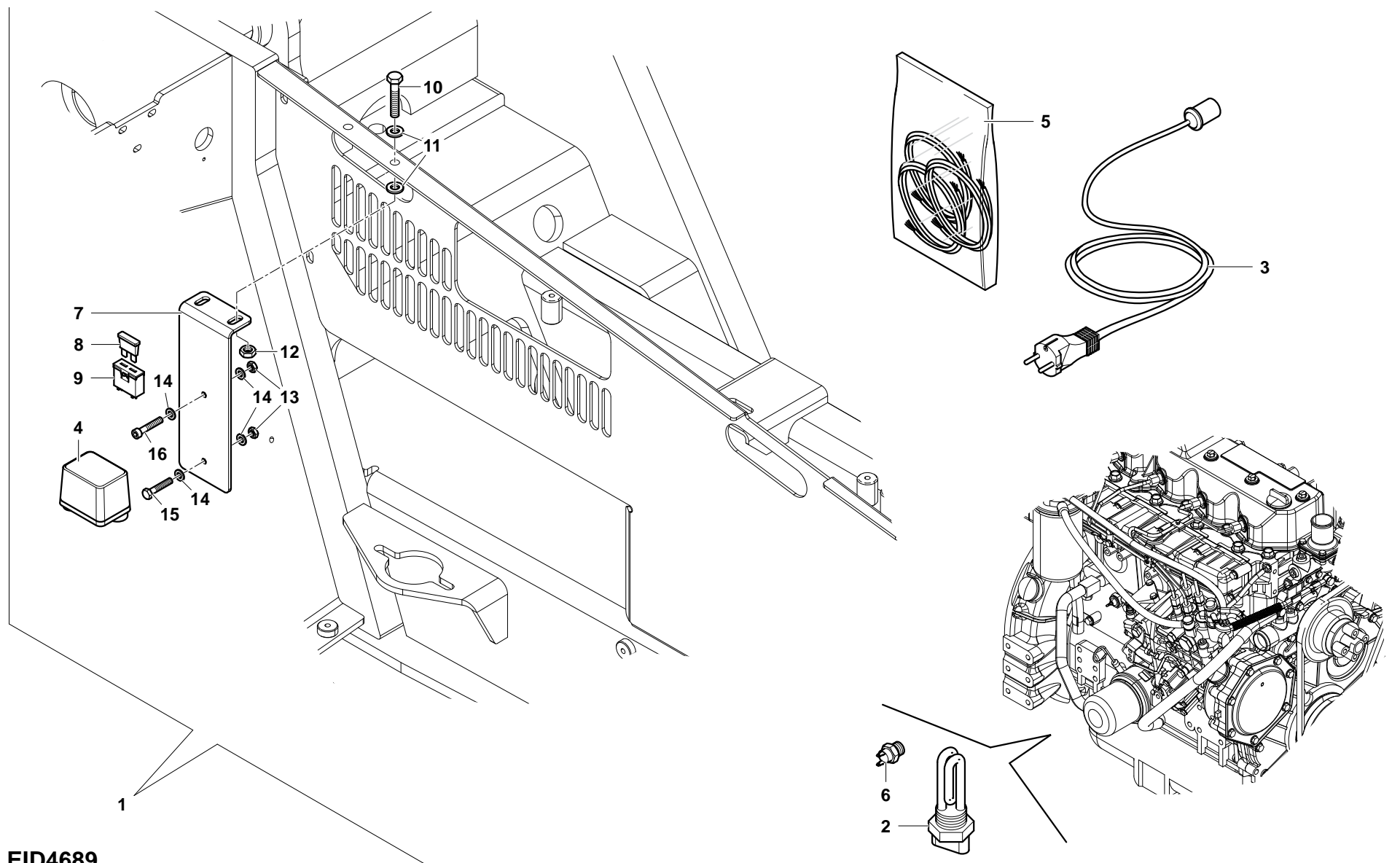
<b>NUMERO TAVOLA</b> <b>TABLE NUMBER</b> <b>GF0104</b>	<b>VERSIONE</b> <b>VERSION</b> <b>00</b> 25/03/11	<b>CODICE MACCHINA</b> <b>MACHINE CODE</b> <b>APOLLO</b> Matr. 1900		<b>DESCRIZIONE:</b>	<b>PEZZI DI RICAMBIO 8 (PER MOTORE DIESEL ASPIRATO)</b> <b>EXCHANGE PIECE 8 ( FOR NATURALLY ASPIRATED DIESEL ENGINE)</b> <b>PIECE DE RECHANGE 8 (POUR MOTEUR DIESEL A ASPIRATION NATURELLE)</b> <b>PIEZAS DE REPUESTO 8 ( POR MOTOR DIESEL THE ASPIRACION NATURAL)</b> <b>ERSETZSTUCK 8 (FUR DIESEL SAUGMOTORS)</b>
--	--	--	---	---------------------	---

Table	Item#	Pg.	Code	Part Description - English	Part Description - French	Part Description - Italian
GF0104	1	102	1Y.26116120252	BOLT	VIS	VITE
GF0104	2	102	1Y.12994077010	STARTER MOTOR	DEMARREUR	MOTORINO AVVIAMENTO
GF0104	3	102	1Y.12992175040	ELECTRICAL MASTER	COEUR ÉLECTRIQUE	CENTRALINA ELETTRICA
GF0104	4	102	1Y.12992777680	COLLAR	COLLIER	COLLARE DI FISSAGGIO
GF0104	5	102	1Y.11957891351	WASHER	RONDELLE	RONDELLA
GF0104	6	102	1Y.22877500080	SCREW	VIS	VITE
GF0104	7	102	1Y.12992777600	SUPPORT	SUPPORT	SUPPORTO
GF0104	8	102	1Y.12992775900	ELECTRICAL MASTER	COEUR ÉLECTRIQUE	CENTRALINA ELETTRICA
GF0104	9	102	1Y.12992777680	COLLAR	COLLIER	COLLARE DI FISSAGGIO
GF0104	10	102	1Y.11957891351	WASHER	RONDELLE	RONDELLA
GF0104	11	102	1Y.22877500080	SCREW	VIS	VITE
GF0104	12	102	1Y.12992777600	SUPPORT	SUPPORT	SUPPORTO
GF0104	13	102	1Y.72992792760	GASKET KIT	KIT DE JOINTS	KIT GUARNIZIONI
GF0104	14	102	1Y.12990701331	GASKET	JOINT	GUARNIZIONE
GF0104	15	102	1Y.12990032030	O - RING	JOINT OR	ANELLO OR
GF0104	16	102	1Y.12990032040	O - RING	JOINT OR	ANELLO OR
GF0104	17	102	1Y.24311000070	O - RING	JOINT OR	ANELLO OR
GF0104	18	102	1Y.24351030750	O - RING	JOINT OR	ANELLO OR
GF0104	19	102	1Y.24311000320	O - RING	JOINT OR	ANELLO OR
GF0104	20	102	1Y.24321000850	O - RING	JOINT OR	ANELLO OR
GF0104	21	102	1Y.22190220002	WASHER	RONDELLE	RONDELLA
GF0104	22	102	1Y.11980311340	SEAL	RONDELLE	ANELLO DI TENUTA
GF0104	23	102	1Y.12416011340	SEAL	RONDELLE	ANELLO DI TENUTA
GF0104	24	102	1Y.11980211870	BUSHING	DOUILLE	BOCCOLA
GF0104	25	102	1Y.11962511880	GASKET	JOINT	GUARNIZIONE
GF0104	26	102	1Y.24311000120	WASHER	RONDELLE	RONDELLA
GF0104	27	102	1Y.12993013201	GASKET	JOINT	GUARNIZIONE
GF0104	28	102	1Y.12993311310	GASKET	JOINT	GUARNIZIONE
GF0104	29	102	1Y.12990712110	GASKET	JOINT	GUARNIZIONE
GF0104	30	102	1Y.22190120002	SEAL	RONDELLE	ANELLO DI TENUTA
GF0104	31	102	1Y.11912977020	GASKET	JOINT	GUARNIZIONE
GF0104	32	102	1Y.12185077021	GASKET	JOINT	GUARNIZIONE
GF0104	33	102	1Y.12990013251	GASKET	JOINT	GUARNIZIONE
GF0104	34	102	1Y.22190080002	SEAL WASHER	TUYAU	ROSETTA DI TENUTA
GF0104	35	102	1Y.12992713810	GASKET	JOINT	GUARNIZIONE
GF0104	36	102	1Y.12992713910	GASKET	JOINT	GUARNIZIONE
GF0104	37	102	1Y.12992713920	GASKET	JOINT	GUARNIZIONE
GF0104	38	102	1Y.12390759550	CLAMP	COLLIER	FASCETTA
GF0104	39	102	1Y.12990049870	GASKET	JOINT	GUARNIZIONE
GF0104	40	102	1Y.12185049550	GASKET	JOINT	GUARNIZIONE
GF0104	41	102	1Y.12185049540	GASKET	JOINT	GUARNIZIONE
GF0104	42	102	1Y.23414080000	GASKET	JOINT	GUARNIZIONE
GF0104	43	102	1Y.12446544950	GASKET	JOINT	GUARNIZIONE
GF0104	44	102	1Y.12990042020	GASKET	JOINT	GUARNIZIONE



**M**

NUMERO TAVOLA TABLE NUMBER <b>GM0000</b>	VERSIONE VERSION <b>00</b>	CODICE MACCHINA MACHINE CODE <b>APOLLO</b>	 <small>macchine edili ed agricole</small>	DESCRIZIONE:	ALLESTIMENTI ATTACHMENTS ÉQUIPEMENTS EQUIPAMIENTOS AUSSTATTUNG
--	----------------------------------	--	--	--------------	--



EID4689


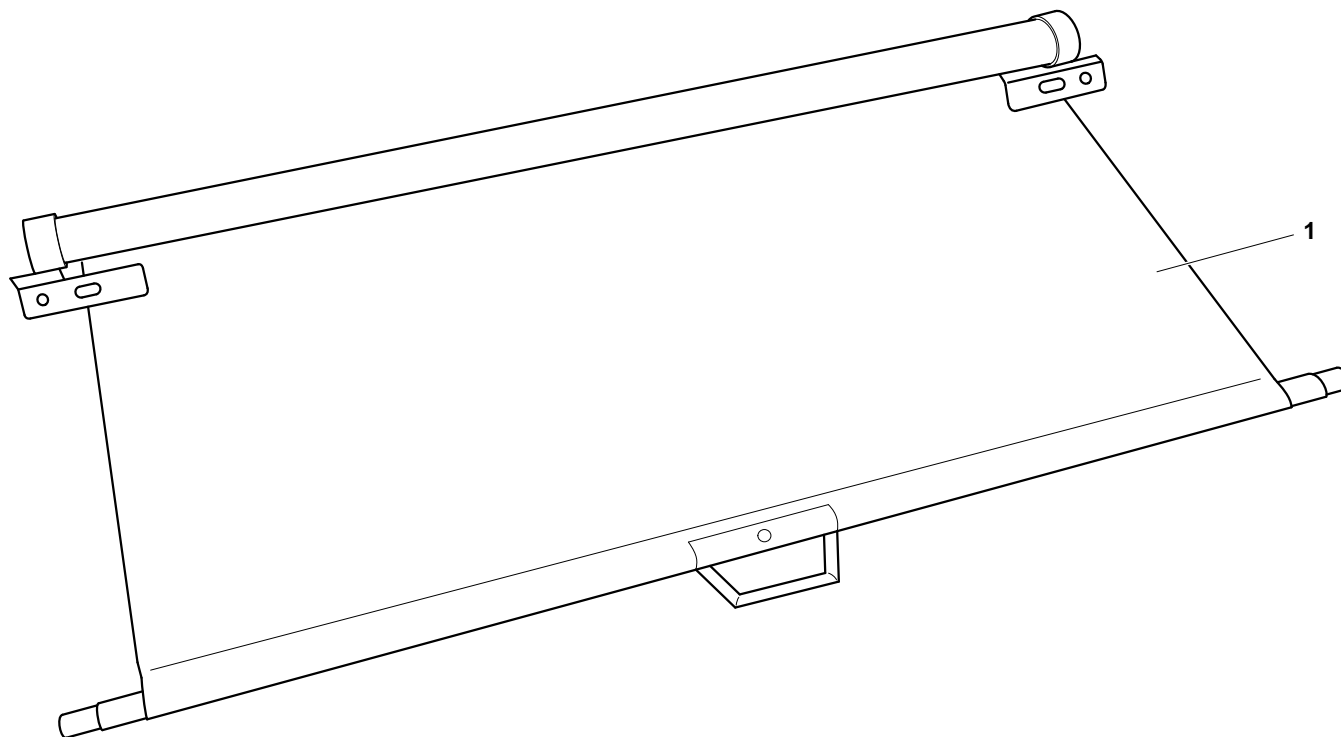
<p>NUMERO TAVOLA TABLE NUMBER <b>GM0018</b></p>	<p>VERSIONE VERSION <b>00</b> 01/06/11</p>	<p>CODICE MACCHINA MACHINE CODE <b>APOLLO</b> Matr. 1900</p>		<p>DESCRIZIONE:</p>	<p>SCALDIGLIE ACQUA WATER HEATER PRÉCHAUFFAGE EAU MOTEUR CALENTADORES AGUA KÜHLKREISLAUFERWÄRMER</p>
---	--	--	---	---------------------	--

Table	Item#	Pg.	Code	Part Description - English	Part Description - French	Part Description - Italian
GM0018	1	104	EID4689	HEATING UNIT	CORPS DE CHAUFFE	SCALDIGLIE ACQUA
GM0018	2	104	1Y.46150504500	HEATING UNIT	CORPS DE CHAUFFE	SCALDIGLIA ACQUA
GM0018	3	104	BMP1023	EXTENSION	RALLONGE	PROLUNGA
GM0018	4	104	BMP1024	RELAY	RELAIS	RELE
GM0018	5	104	BMP1025	CABLE KIT	CABLE KIT	KIT CAVI
GM0018	6	104	BMP1026	THERMOSTAT	THERMOSTAT	TERMOSTATO
GM0018	7	104	CAR0001487/CL	SUPPORT	SUPPORT	SUPPORTO
GM0018	8	104	4C.163010	FUSE	FUSIBLE	FUSIBILE
GM0018	9	104	4C.113634	FUSE BOX	BOITE A FUSIBLE	PORTAFUSIBILI
GM0018	10	104	BAA7152	SCREW	VIS	VITE
GM0018	11	104	BAL5110	WASHER	RONDELLE	RONDELLA
GM0018	12	104	BAG4116	NUT	ECROU	DADO
GM0018	13	104	BAG4099	NUT	ECROU	DADO
GM0018	14	104	BAL5103	WASHER	RONDELLE	RONDELLA
GM0018	15	104	BAA7049	SCREW	VIS	VITE
GM0018	16	104	BAB5080	SCREW	VIS	VITE



**BSC0087**


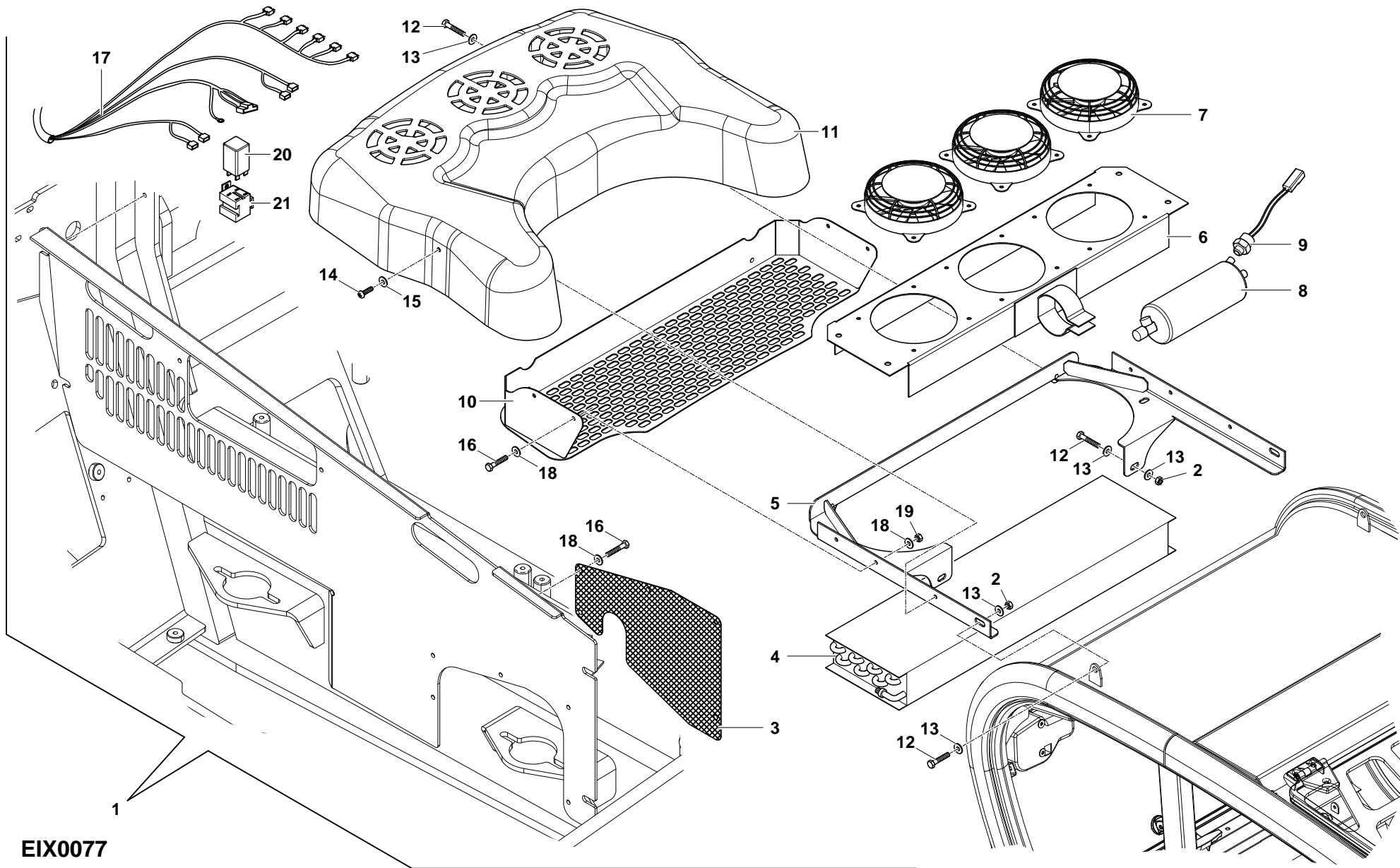
NUMERO TAVOLA TABLE NUMBER <b>GM0019</b>	VERSIONE VERSION <b>00</b> 01/06/11	CODICE MACCHINA MACHINE CODE <b>APOLLO</b> Matr. 1900	 <small>macchine edili ed agricole</small>	DESCRIZIONE:	<b>TENDA PARASOLE</b> <b>SUN SCREEN</b> <b>RIDEAU PARE-SOLEIL</b> <b>PARASOL</b> <b>SONNENSCHUTZDACH</b>
--	--	--	---	--------------	--

Table	Item#	Pg.	Code	Part Description - English	Part Description - French	Part Description - Italian
GM0019	1	105	BSC0087	SUN SCREEN	PARE-SOLEIL	TENDA PARASOLE





EIX0077


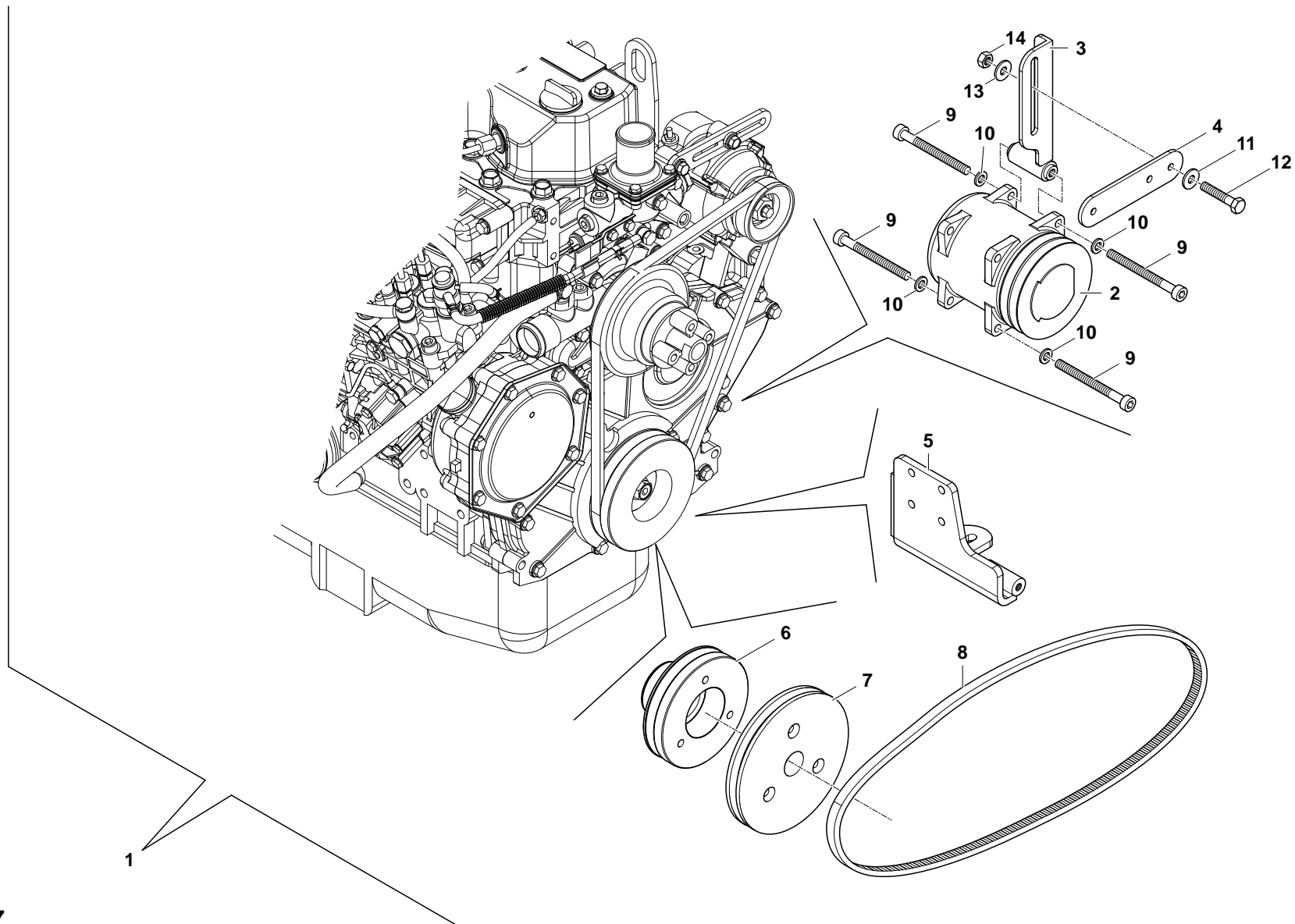
<p>NUMERO TAVOLA TABLE NUMBER <b>GM0020</b></p>	<p>VERSIONE VERSION <b>00</b> 01/06/11</p>	<p>CODICE MACCHINA MACHINE CODE <b>APOLLO</b> Matr. 1900</p>		<p>DESCRIZIONE:</p>	<p>ARIA CONDIZIONATA AIR CONDITIONING AIR CONDITIONNE AIRE ACONDICIONADO KLIMAAANLAGE</p>
---	--	--	---	---------------------	---

Table	Item#	Pg.	Code	Part Description - English	Part Description - French	Part Description - Italian
GM0020	1	106	EIX0304	AIR CONDITIONING	AIR CONDITIONNÉ	ARIA CONDIZIONATA
GM0020	2	106	BAG4117	NUT	ECROU	DADO
GM0020	3	106	CLB0533/0G	HOUSING	CARTER	RETE PROTEZIONE
GM0020	4	106	4M.022009	CONDENSER	CONDENSATEUR	CONDENSATORE
GM0020	5	106	BCN9946/0D5	SUPPORT	SUPPORT	SUPPORTO
GM0020	6	106	4M.031010DIE	CARRIER	CONVOYEUR	CONVOGLIATORE
GM0020	7	106	4M.90050160	ELECTRIC FAN	ÉLECTROVENTILATEUR	ELETTROVENTOLA
GM0020	8	106	4M.017006	FILTER	FILTRE	FILTRO
GM0020	9	106	4M.0430032DIE	PRESSURE CONTROLLER	PRESSOSTAT	PRESSOSTATO
GM0020	10	106	BCN9947/0D5	BOOT	PROTECTION	GRIGLIA PROTEZIONE
GM0020	11	106	BSM3057/0C3	COVER	COUVERTURE	COPERTURA
GM0020	12	106	BAA7202	SCREW	VIS	VITE
GM0020	13	106	BAL5112	WASHER	RONDELLE	RONDELLA
GM0020	14	106	BAE1250	SCREW	VIS	VITE
GM0020	15	106	BAL5108	WASHER	RONDELLE	RONDELLA
GM0020	16	106	BAA7152	SCREW	VIS	VITE
GM0020	17	106	BEK7026/LE	ELECTRIC WIRE	LIGNE ELECTRIQUE	LINEA ELETTRICA
GM0020	18	106	BAL5110	WASHER	RONDELLE	RONDELLA
GM0020	19	106	BAG4116	NUT	ECROU	DADO
GM0020	20	106	BEP0115	RELAY	RELAIS	RELAIS
GM0020	21	106	BEQ8020	SUPPORT RELAY	SUPPORT RELAIS	CONNETTORE RELAIS



EIX0077

NUMERO TAVOLA  
TABLE NUMBER  
**GM0021**

VERSIONE  
VERSION  
**00**  
01/06/11

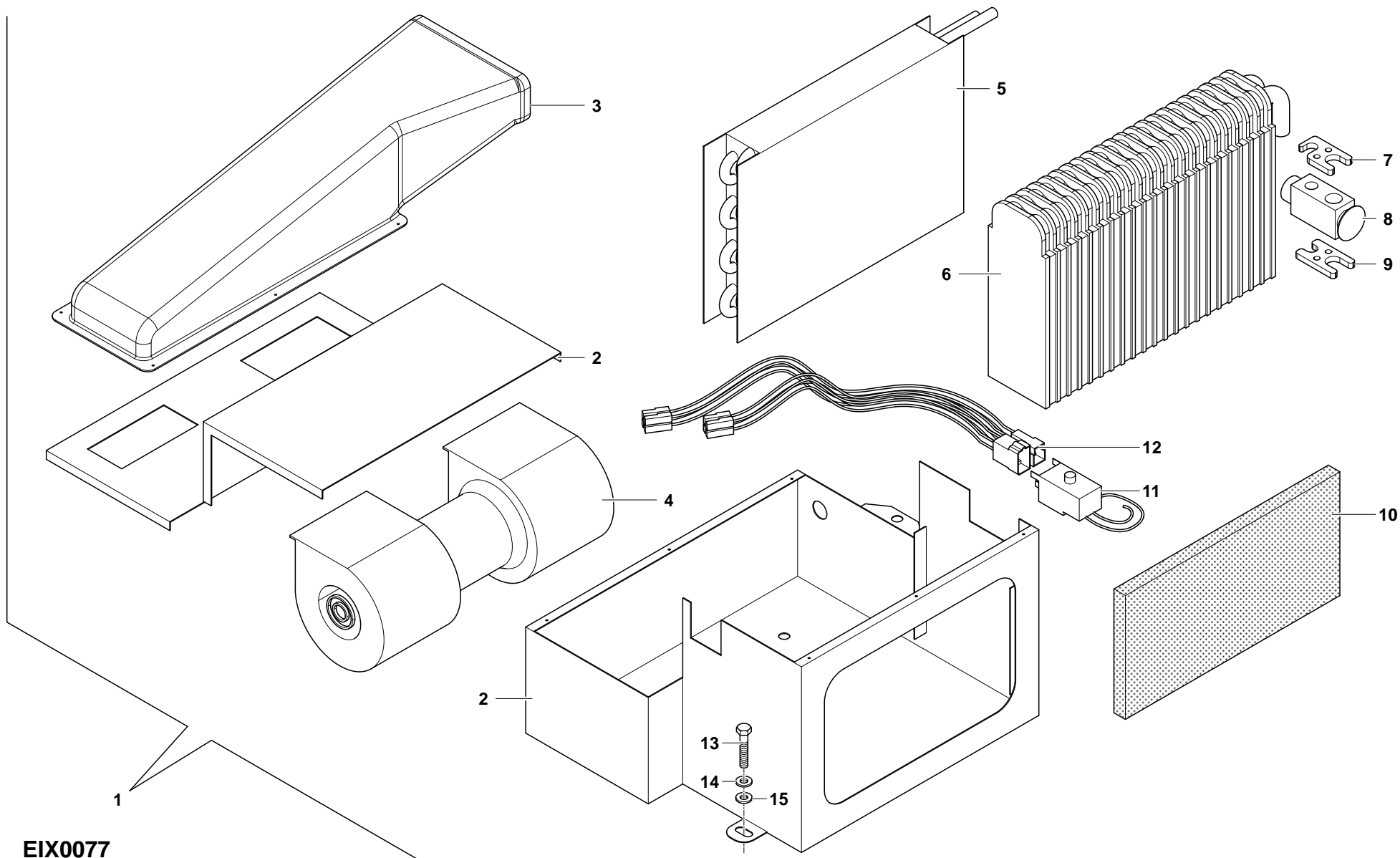
CODICE MACCHINA  
MACHINE CODE  
**APOLLO**  
Matr. 1900



DESCRIZIONE:

ARIA CONDIZIONATA  
AIR CONDITIONING  
AIR CONDITIONNE  
AIRE ACONDICIONADO  
KLIMAAANLAGE

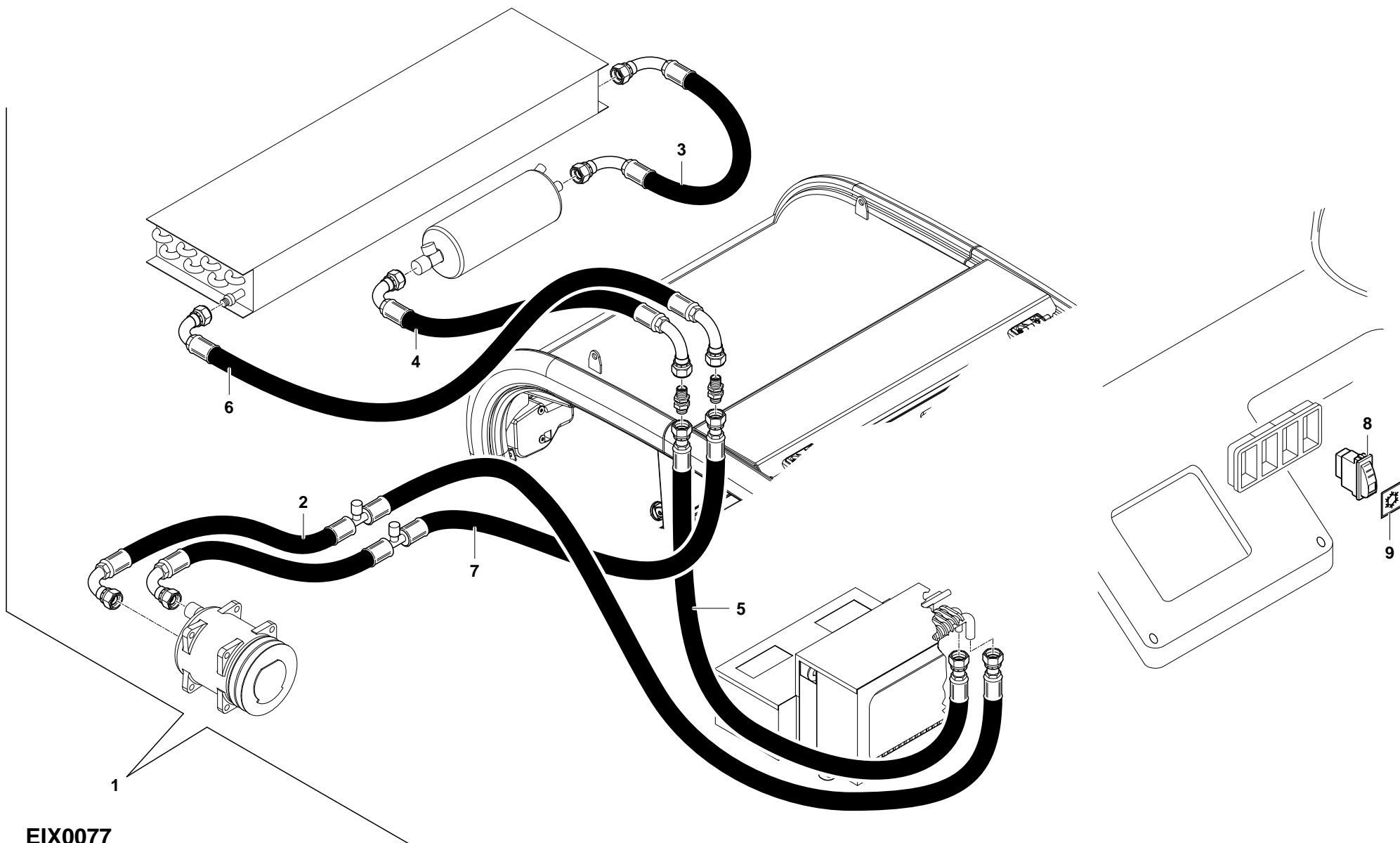
Table	Item#	Pg.	Code	Part Description - English	Part Description - French	Part Description - Italian
GM0021	1	107	EIX0304	AIR CONDITIONING	AIR CONDITIONNÉ	ARIA CONDIZIONATA
GM0021	2	107	BFD0103	COMPRESSOR	COMPRESSEUR	COMPRESSORE
GM0021	3	107	BCN9929/CL	TIE ROD	TIRANT	TIRANTE
GM0021	4	107	CVC5920/CL	BRACKET	ETRIER	STAFFA
GM0021	5	107	BCN9928/CL	SUPPORT	SUPPORT	SUPPORTO
GM0021	6	107	1Y.12990721660/F	PULLEY	POULIE	PULEGGIA
GM0021	7	107	BVI5119/F	PULLEY	POULIE	PULEGGIA
GM0021	8	107	BVI2117	ADJUSTER, BELT	CEINTURE	CINGHIA
GM0021	9	107	BAB5254	SCREW	VIS	VITE
GM0021	10	107	BAL3248	WASHER	RONDELLE	RONDELLA
GM0021	11	107	BAL5113	WASHER	RONDELLE	RONDELLA
GM0021	12	107	BAA7203	SCREW	VIS	VITE
GM0021	13	107	BAL5112	WASHER	RONDELLE	RONDELLA
GM0021	14	107	BAG4117	NUT	ECROU	DADO



EIX0077

NUMERO TAVOLA TABLE NUMBER <b>GM0022</b>	VERSIONE VERSION <b>00</b> 01/06/11	CODICE MACCHINA MACHINE CODE <b>APOLLO</b> Matr. 1900		DESCRIZIONE:	ARIA CONDIZIONATA AIR CONDITIONING AIR CONDITIONNE AIRE ACONDICIONADO KLIMAAANLAGE
--	--	--	--	--------------	--

Table	Item#	Pg.	Code	Part Description - English	Part Description - French	Part Description - Italian
GM0022	1	108	EIX0304	AIR CONDITIONING	AIR CONDITIONNÉ	ARIA CONDIZIONATA
GM0022	2	108	4M.030027DIE	HOUSING	CARTER	SCATOLA
GM0022	3	108	4M.032075DIE	CARRIER	CONVOYEUR	CONVOGLIATORE ARIA
GM0022	4	108	4M.054008	MOTOR	MOTEUR	MOTOVENTILATORE
GM0022	5	108	4M.051005	RADIATOR	RADIATEUR	RADIATORE
GM0022	6	108	4M.052016	EVAPORATOR	ÉVAPORATEUR	EVAPORATORE
GM0022	7	108	4M.002048	BRACKET	ETRIER	STAFFA
GM0022	8	108	4M.058004	VALVE	SOUPAPE	VALVOLA ESPANSIONE
GM0022	9	108	4M.002049	BRACKET	ETRIER	STAFFA
GM0022	10	108	4M.014005	FILTER	FILTRE	FILTRO ARIA CARTA
GM0022	11	108	4M.068389	THERMOSTAT	THERMOSTAT	TERMOSTATO
GM0022	12	108	4M.028037DIE	ELECTRICAL SYSTEM	INSTALLATION ÉLECTRIQUE	CABLAGGIO
GM0022	13	108	BAA7202	SCREW	VIS	VITE
GM0022	14	108	BAL2251	WASHER	RONDELLE	RONDELLA
GM0022	15	108	BAL5112	WASHER	RONDELLE	RONDELLA



EIX0077

NUMERO TAVOLA  
TABLE NUMBER  
**GM0023**

VERSIONE  
VERSION  
**00**  
01/06/11

CODICE MACCHINA  
MACHINE CODE  
**APOLLO**  
Matr. 1900

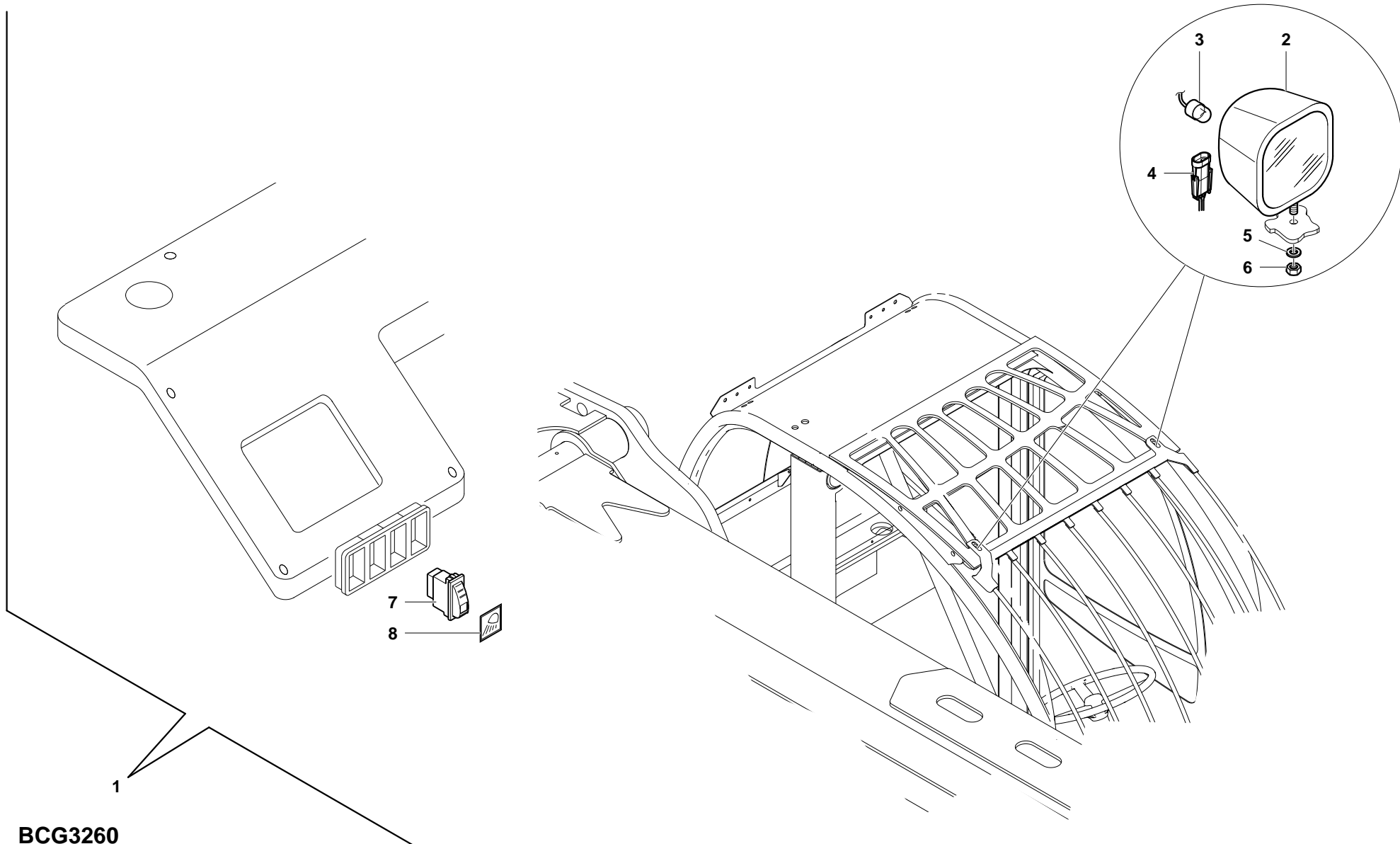


DESCRIZIONE:

ARIA CONDIZIONATA  
AIR CONDITIONING  
AIR CONDITIONNE  
AIRE ACONDICIONADO  
KLIMAAANLAGE

Table	Item#	Pg.	Code	Part Description - English	Part Description - French	Part Description - Italian
GM0023	1	109	EIX0077	AIR CONDITIONING	AIR CONDITIONNÉ	ARIA CONDIZIONATA
GM0023	2	109	4M.810DIE33	PIPE	TUYAU	TUBO
GM0023	3	109	4M.806DIE40	PIPE	TUYAU	TUBO
GM0023	4	109	4M.806DIE42	PIPE	TUYAU	TUBO
GM0023	5	109	4M.806DIE41	PIPE	TUYAU	TUBO
GM0023	6	109	4M.808DIE28	PIPE	TUYAU	TUBO
GM0023	7	109	4M.808DIE29	PIPE	TUYAU	TUBO
GM0023	8	109	4C.106AA008	SWITCH	INTERRUPTEUR	INTERRUTTORE
GM0023	9	109	4C.77562	WARNING LIGHT GLASS	VERRE DU TEMOIN	VETRO SPIA





BCG3260

NUMERO TAVOLA  
TABLE NUMBER  
**GM0024**

VERSIONE  
VERSION  
**00**  
01/06/11

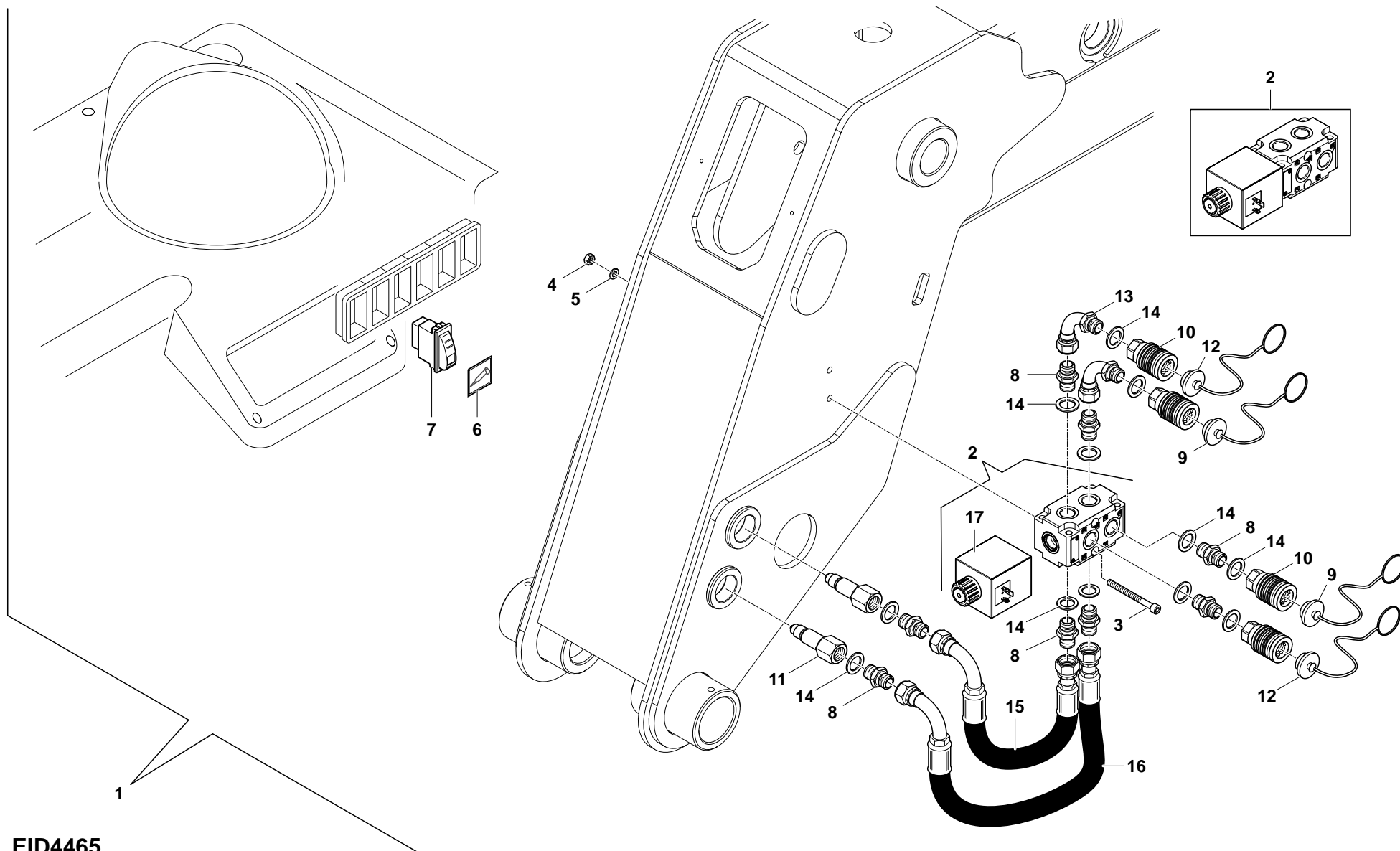
CODICE MACCHINA  
MACHINE CODE  
**APOLLO**  
Matr. 1900



DESCRIZIONE:

FARI ANTERIORI SU CABINA  
FRONT LIGHT ON TOP OF THE CAB  
PHARE ORIENTABLE AVANT SU CABINE  
FOCO ORIENTABLE ANTERIOR EN CABINA  
ARBEITSSCHEINWERFER VORNE AUF KABINE

Table	Item#	Pg.	Code	Part Description - English	Part Description - French	Part Description - Italian
GM0024	1	110	BCG3260	LIGHT	FEU	FARI DI LAVORO ANT.
GM0024	2	110	BEM2104	LIGHT	FEU	FANALE DI LAVORO
GM0024	3	110	BEM4022	LAMP	LAMPE	LAMPADA
GM0024	4	110	4C.125402	CONNECTOR	CONNECTEUR	CONNETTORE
GM0024	5	110	BAL5114	WASHER	RONDELLE	RONDELLA
GM0024	6	110	BAG4118	NUT	ECROU	DADO
GM0024	7	110	4C.106AA024	SWITCH	INTERRUPTEUR	INTERRUTTORE
GM0024	8	110	4C.77645	WARNING LIGHT GLASS	VERRE DU TEMOIN	VETRO SPIA



EID4465

NUMERO TAVOLA  
TABLE NUMBER  
**GM0025**

VERSIONE  
VERSION  
**00**  
01/06/11

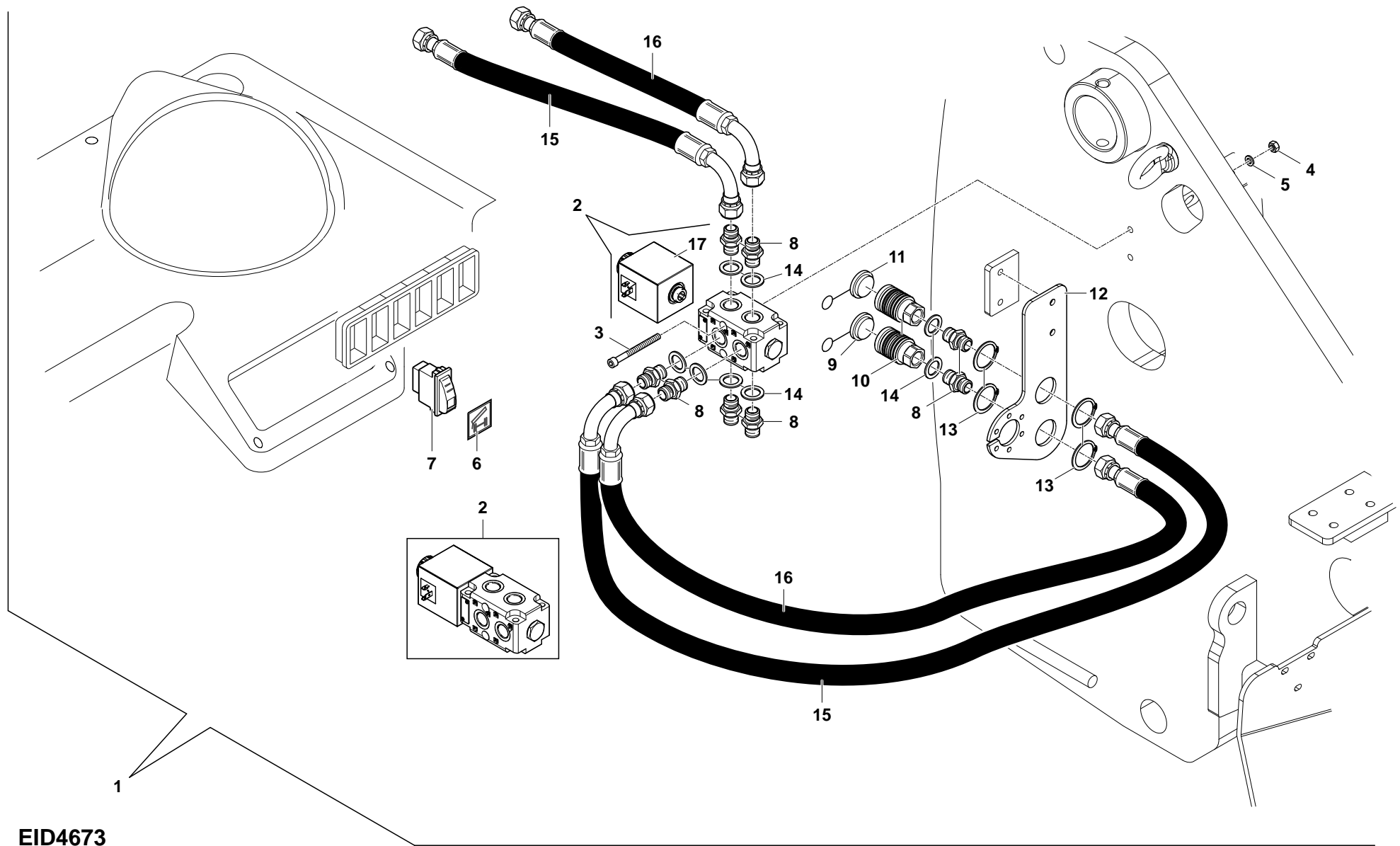
CODICE MACCHINA  
MACHINE CODE  
**APOLLO**  
Matr. 1900



DESCRIZIONE:

PRESA IDRAULICA SUPPLEMENTARE  
ADDITIONAL HYDRAULIC SOCKET  
PRISE HYDRAULIQUE SUPPLÉMENTAIRE  
TOMA HIDRÁULICA SUPLEMENTARIA  
ZUSATZHYDRAULIK JACK

Table	Item#	Pg.	Code	Part Description - English	Part Description - French	Part Description - Italian
GM0025	1	111	EID4465	HYDRAULIC JACK	CRIC HYDRAULIQUE	PRESA IDRAUL. SUPPL.
GM0025	2	111	BHB3162	SELECTOR	SELECTEUR	SELETTORE
GM0025	3	111	BAB5216	SCREW	VIS	VITE
GM0025	4	111	BAG4117	NUT	ECROU	DADO
GM0025	5	111	BAL5113	WASHER	RONDELLE	RONDELLA
GM0025	6	111	BEM3080	WARNING LIGHT GLASS	VERRE DU TEMOIN	VETRO SPIA
GM0025	7	111	4C.106908	SWITCH	INTERRUPTEUR	INTERRUTTORE
GM0025	8	111	BHA0128	NIPPLE	NIPPLE	NIPPLE
GM0025	9	111	BHA0853	PLUG BLUE	BOUCHON BLEU	TAPPO BLU
GM0025	10	111	BHA0859	RAPID COUPLING	CONNECTION RAPID	INNESTO RAPIDO
GM0025	11	111	BHA0860	RAPID COUPLING	CONNECTION RAPID	INNESTO RAPIDO
GM0025	12	111	BHA0863	PLUG RED	BOUCHON ROUGE	TAPPO ROSSO
GM0025	13	111	BHA1040	MANIFOLD	COUDE	RACCORDO CURVA
GM0025	14	111	BHG4730	WASHER	RONDELLE	RONDELLA
GM0025	15	111	BKU4540	TUBE	TUYAU	TUBO
GM0025	16	111	BKU4550	TUBE	TUYAU	TUBO
GM0025	17	111	BHE1413/LC	SOLENOID VALVE	SOUPAPE ELECTRIQUE	BOBINA



EID4673


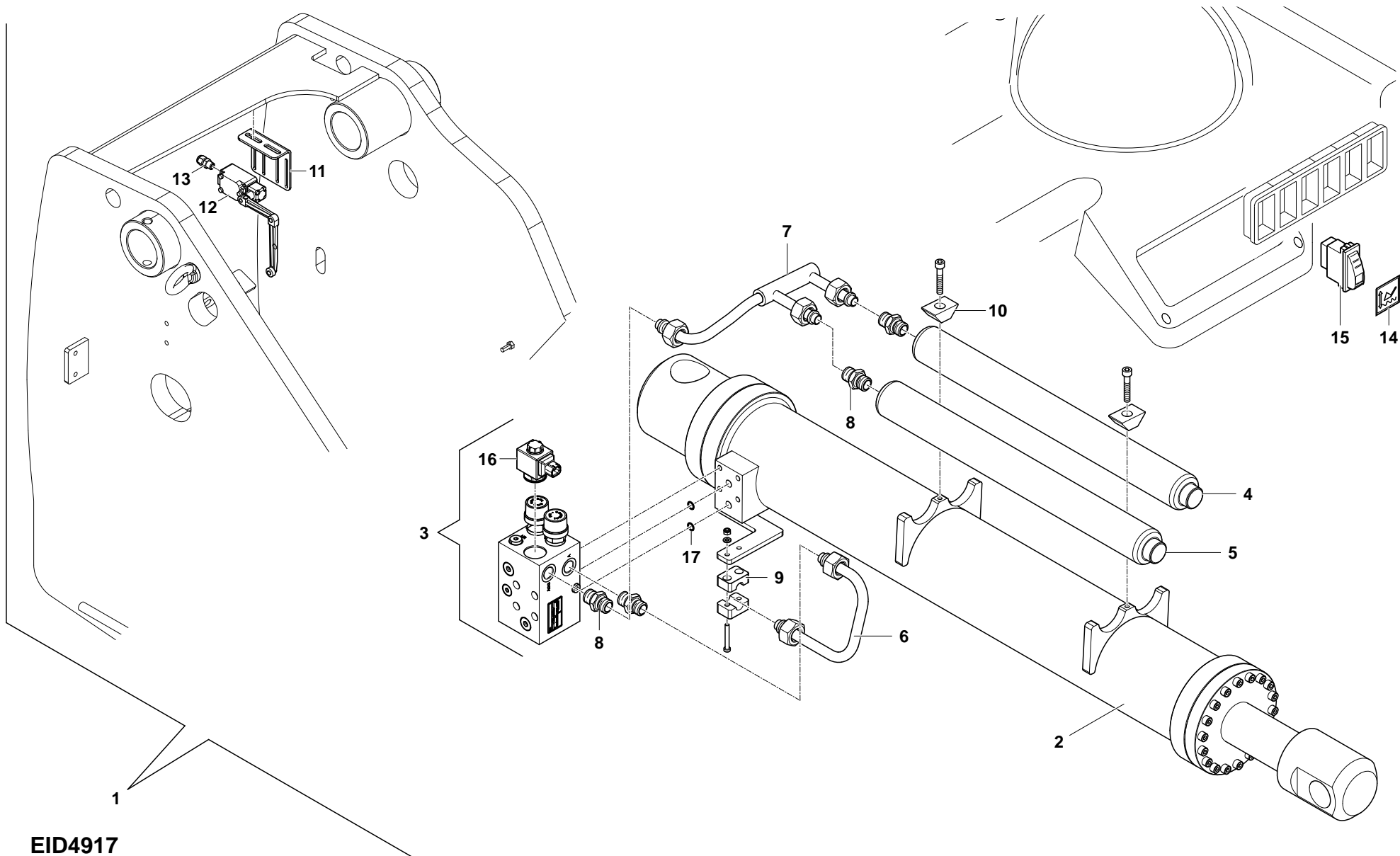
<p>NUMERO TAVOLA TABLE NUMBER <b>GM0026</b></p>	<p>VERSIONE VERSION <b>00</b> 01/06/11</p>	<p>CODICE MACCHINA MACHINE CODE <b>APOLLO</b> Matr. 1900</p>		<p>DESCRIZIONE:</p>	<p>PRESA IDRAULICA POSTERIORE REAR HYDRAULIC SOCKET PRISE HYDRAULIQUE ARRIÈRE TOMA HYDRAULICA TRASERA HYDRAULIKKUPPLUNG HINTEN</p>
---	--	--	---	---------------------	--

Table	Item#	Pg.	Code	Part Description - English	Part Description - French	Part Description - Italian
GM0026	1	112	EID4673	HYDRAULIC JACK	CRIC HYDRAULIQUE	PRESA IDRAUL. POST.
GM0026	2	112	BHB3162	SELECTOR	SELECTEUR	SELETTORE
GM0026	3	112	BAB5219	SCREW	VIS	VITE
GM0026	4	112	BAG4117	NUT	ECROU	DADO
GM0026	5	112	BAL5112	WASHER	RONDELLE	RONDELLA
GM0026	6	112	4C.77607	WARNING LIGHT GLASS	VERRE DU TEMOIN	VETRO SPIA
GM0026	7	112	4C.106908	SWITCH	INTERRUPTEUR	INTERRUTTORE
GM0026	8	112	BHA0120	NIPPLE	NIPPLE	NIPPLE
GM0026	9	112	BHA0856	PLUG BLUE	BOUCHON BLEU	TAPPO BLU
GM0026	10	112	BHA0859	RAPID COUPLING	CONNECTION RAPID	INNESTO RAPIDO
GM0026	11	112	BHA0861	PLUG RED	BOUCHON ROUGE	TAPPO ROSSO
GM0026	12	112	CVC6106/0D	SUPPORT	SUPPORT	SUPPORTO
GM0026	13	112	BWQ2129	SNAP RING	CIRCLIP	SEEGER
GM0026	14	112	BHG4730	WASHER	RONDELLE	RONDELLA
GM0026	15	112	BKP6571	TUBE	TUYAU	TUBO
GM0026	16	112	BKP6580	TUBE	TUYAU	TUBO
GM0026	17	112	BHE1413/LC	SOLENOID VALVE	SOUPAPE ELECTRIQUE	BOBINA



EID4917

NUMERO TAVOLA  
TABLE NUMBER  
**GM0027**

VERSIONE  
VERSION  
**00**  
01/06/11

CODICE MACCHINA  
MACHINE CODE  
**APOLLO**  
Matr. 1900

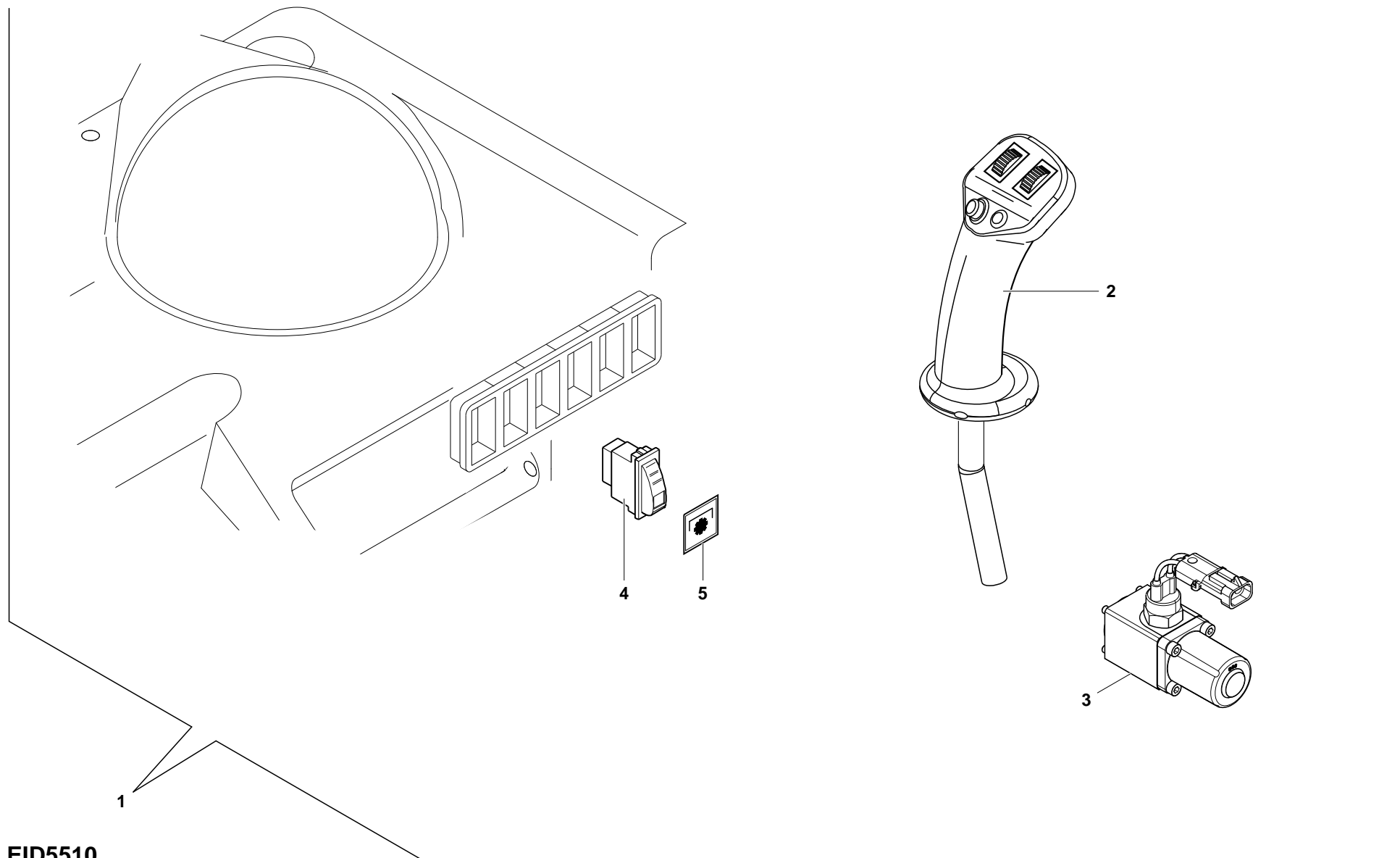


DESCRIZIONE:

SOSPENSIONI BRACCIO  
BOOM SUSPENSION  
SUSPENSION DU BRAS  
SUSPENSION DEL BRAZO  
AUSLEGERFEDERUNG

Table	Item#	Pg.	Code	Part Description - English	Part Description - French	Part Description - Italian
GM0027	1	113	EID4917	BOOM SUSPENSION	SUSPENSION DU BRAS	SOSPENSIONI BRACCIO
GM0027	2	113	BHM2617/F0C	CYLINDER	VERIN	CILINDRO SOLLEVAMENTO
GM0027	3	113	BHE1267	VALVE	SOUPAPE	VALVOLA
GM0027	4	113	BFG3107	ACCUMULATOR	BOUTEILLE TAMPON	ACCUMULATORE
GM0027	5	113	BFG3108	ACCUMULATOR	BOUTEILLE TAMPON	ACCUMULATORE
GM0027	6	113	OLB0000012	TUBE	TUYAU	TUBO
GM0027	7	113	BLT2047/1	TUBE	TUYAU	TUBO
GM0027	8	113	9D.E212.116SG1/2	NIPPLE	NIPPLE	NIPPLE
GM0027	9	113	BWF1337	COLLAR	COLLIER	COLLARI
GM0027	10	113	PPF1005/1CL	SUPPORT	SUPPORT	SUPPORTO
GM0027	11	113	CVC4387/CL	SUPPORT	SUPPORT	SUPPORTO
GM0027	12	113	1P.OMD4BN9004D	STOPPER	PIÈCE D'ARRÊT	FINECORSA
GM0027	13	113	2E.TFPR1311	CABLE GLAND	SERRE-CABLES	PRESSACAVO
GM0027	14	113	4C.77679	WARNING LIGHT GLASS	VERRE DU TEMOIN	VETRO SPIA
GM0027	15	113	4C.106AA008	SWITCH	INTERRUPTEUR	INTERRUTTORE
GM0027	16	113	BHE1451	SOLENOID VALVE	SOUPAPE ELECTRIQUE	BOBINA
GM0027	17	113	BVG2336	O - RING	JOINT OR	ANELLO OR





EID5510


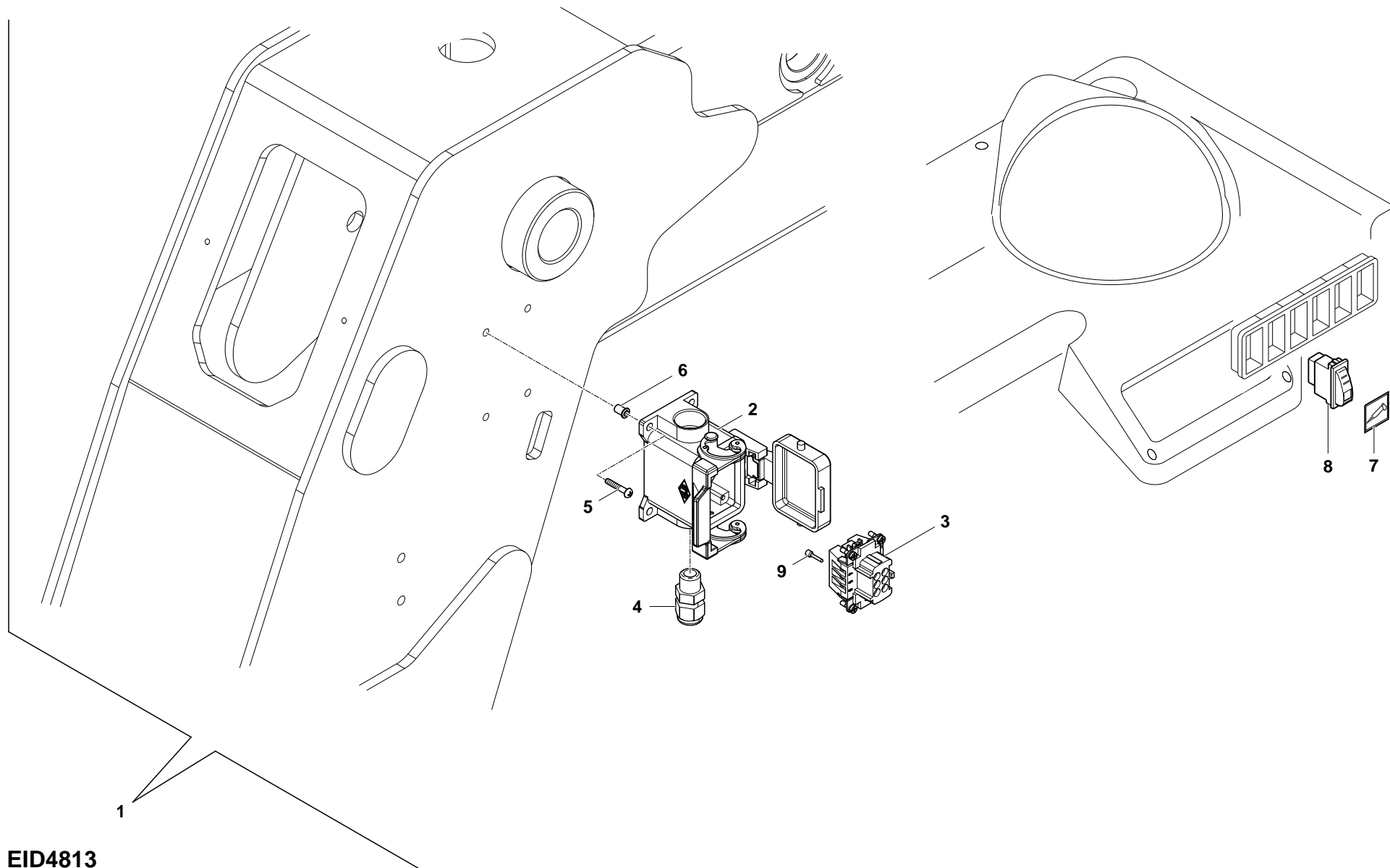
NUMERO TAVOLA TABLE NUMBER <b>GM0028</b>	VERSIONE VERSION <b>00</b> 01/06/11	CODICE MACCHINA MACHINE CODE <b>APOLLO</b> Matr. 1900		DESCRIZIONE:	FUNZIONE OLIO IN CONTINUO SU PRESE IDRAULICHE CONTINUOUS OIL FUNCTION ON HYDRAULIC SOCKETS FONCTION HUILE EN CONTINU SUR PRISES HYDRAULIQUES FUNCIÓN ACEITE CONTINUO EN LAS TOMAS HIDRÁULICAS FUNKTION "KONTINUIERLICHER ÖLFLUSS" AN DEN HYDRAULISCHEN ANSCHLÜSSEN
--	--	--	---	--------------	--

Table	Item#	Pg.	Code	Part Description - English	Part Description - French	Part Description - Italian
GM0028	1	114	EID5510	OIL IN CONTINUOUS OPERATION	HUILE EN FONCTIONNEMENT CONTINU	FUNZIONE OLIO IN CONTINUO
GM0028	2	114	BHB3227	JOYSTICK	MANIPULATEUR	JOYSTICK
GM0028	3	114	BEP0421	POSITION SPOOL KIT	POSITION KIT SPOOL	KIT POSIZIONE CURSORE
GM0028	4	114	4C.106AA024	SWITCH	INTERRUPTEUR	INTERRUPTORE
GM0028	5	114	4C.77561	WARNING LIGHT GLASS	VERRE DU TEMOIN	VETRO SPIA



EID4813


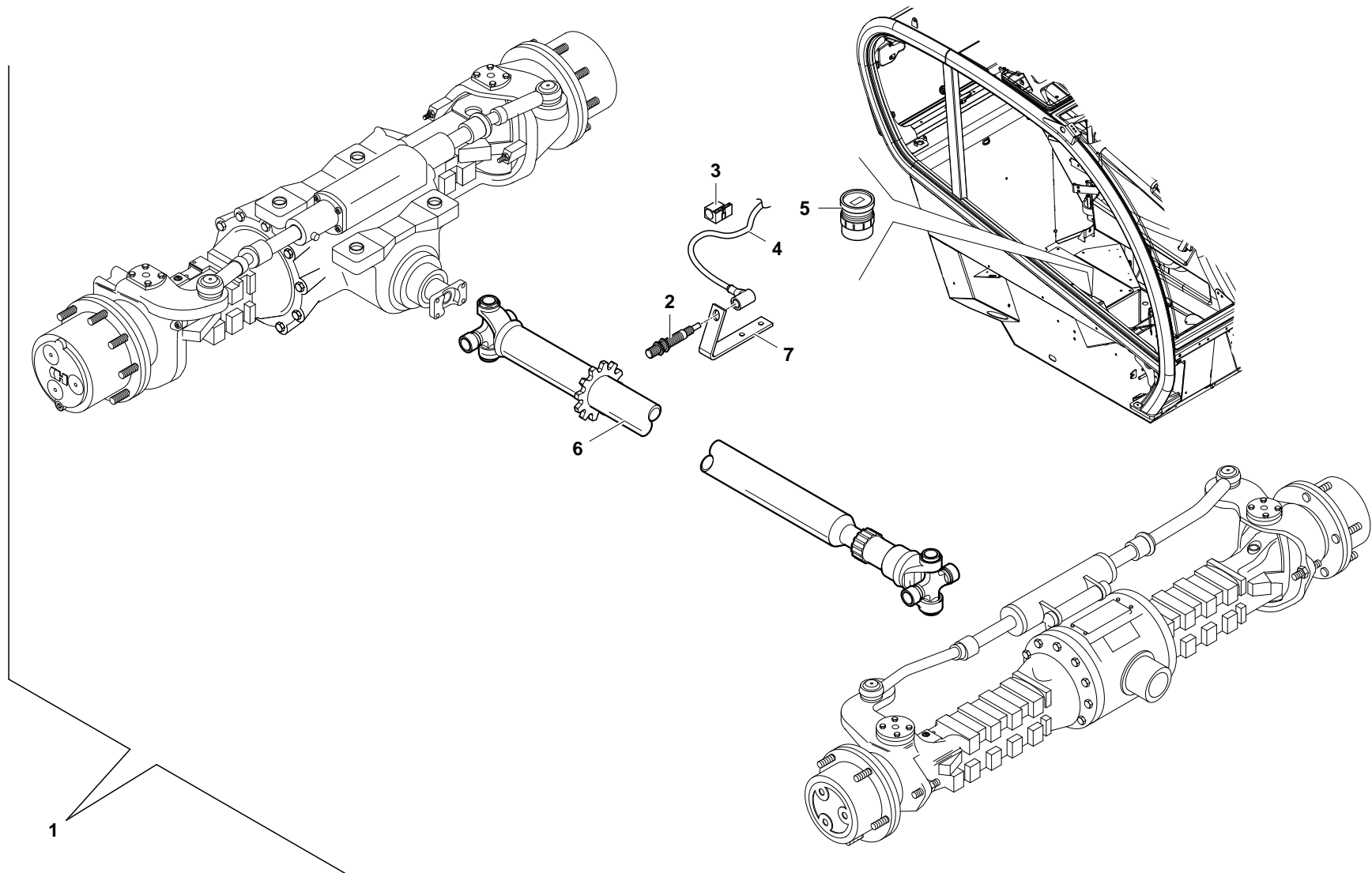
<p>NUMERO TAVOLA TABLE NUMBER <b>GM0029</b></p>	<p>VERSIONE VERSION <b>00</b> 01/06/11</p>	<p>CODICE MACCHINA MACHINE CODE <b>APOLLO</b> Matr. 1900</p>		<p>DESCRIZIONE:</p>	<p>CONTATTO ELETTRICO SU TESTA BRACCIO ELECTRIC CONTACT ON BOOM HEAD CONTACT ÉLECTRIQUE SUR TÊTE BRAS CONTACTO ELÉCTRICO EN CABEZAL BRAZO ELEKTRISCHE STECKDOSE AM MASTKOPF</p>
---	--	--	---	---------------------	---

Table	Item#	Pg.	Code	Part Description - English	Part Description - French	Part Description - Italian
GM0029	1	115	EID4813	SINGLE INLET	PRISE	PRESA TESTA BRACCIO
GM0029	2	115	1P.ILMCHP06LS	HOUSING	COFFRET	CUSTODIA A PARETE
GM0029	3	115	1P.ILMCNF06	ELECTRIC SOCKET	PRISE	FRUTTO
GM0029	4	115	1P.REI53015040	CABLE GLAND	SERRE-CABLES	PRESSACAVO
GM0029	5	115	BAE1209	SCREW	VIS	VITE
GM0029	6	115	BAF2008	THREAD INSERT	GARNITURE FILETÉE	INSERTO FILETTATO
GM0029	7	115	BEM3080	WARNING LIGHT GLASS	VERRE DU TEMOIN	VETRO SPIA
GM0029	8	115	4C.106AA008	SWITCH	INTERRUPTEUR	INTERRUTTORE
GM0029	9	115	1P.BM00504	CONNECTING UNIT	CONNECTION	CONTATTO



EID4723


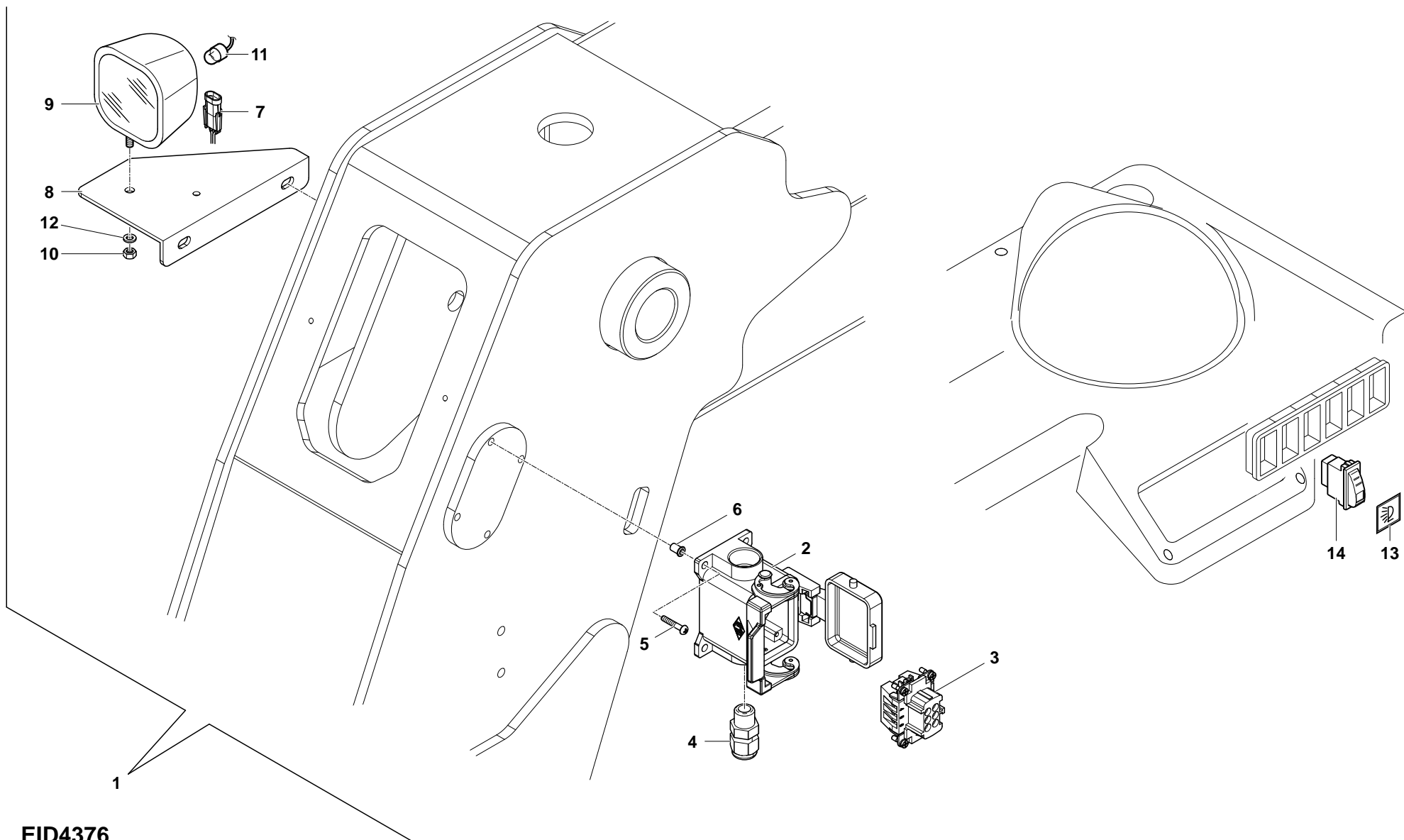
NUMERO TAVOLA TABLE NUMBER <b>GM0030</b>	VERSIONE VERSION <b>00</b> 01/06/11	CODICE MACCHINA MACHINE CODE <b>APOLLO</b> Matr. 1900		DESCRIZIONE:	<b>TACHIMETRO DIGITALE</b> <b>DIGITAL SPEEDOMETER</b> <b>TACHYMÈTRE NUMÉRIQUE</b> <b>TACOMETRO DIGITAL</b> <b>DIGITALTACHOMETER</b>
--	--	--	---	--------------	---

Table	Item#	Pg.	Code	Part Description - English	Part Description - French	Part Description - Italian
GM0030	1	116	EID4723	TACHOMETER	TACHYMÈTRE	TACHIMETRO DIGITALE
GM0030	2	116	2E.TEXS618B1PAM	PROXIMITY SWITCH	COMMUTATEUR DE PROXIMITE	INTERRUTTORE DI PROSSIMITA'
GM0030	3	116	2E.TEXSZB118	FIXING CLAMP	BRIDE DE FIXATION	BRIDA FISSAGGIO
GM0030	4	116	2E.TEXZCP1241L5	CABLE	CÂBLE	CAVO
GM0030	5	116	4C.06510075	TACHOMETER	TACHYMÈTRE	TACHIMETRO DIGITALE
GM0030	6	116	BVD1393	TRANSMISSION SHAFT	ARBRE DE TRANSMISSION	ALBERO TRASMISSIONE
GM0030	7	116	CVC6230/CL	SUPPORT	SUPPORT	SUPPORTO



EID4376

NUMERO TAVOLA  
TABLE NUMBER  
**GM0031**

VERSIONE  
VERSION  
**00**  
01/06/11

CODICE MACCHINA  
MACHINE CODE  
**APOLLO**  
Matr. 1900

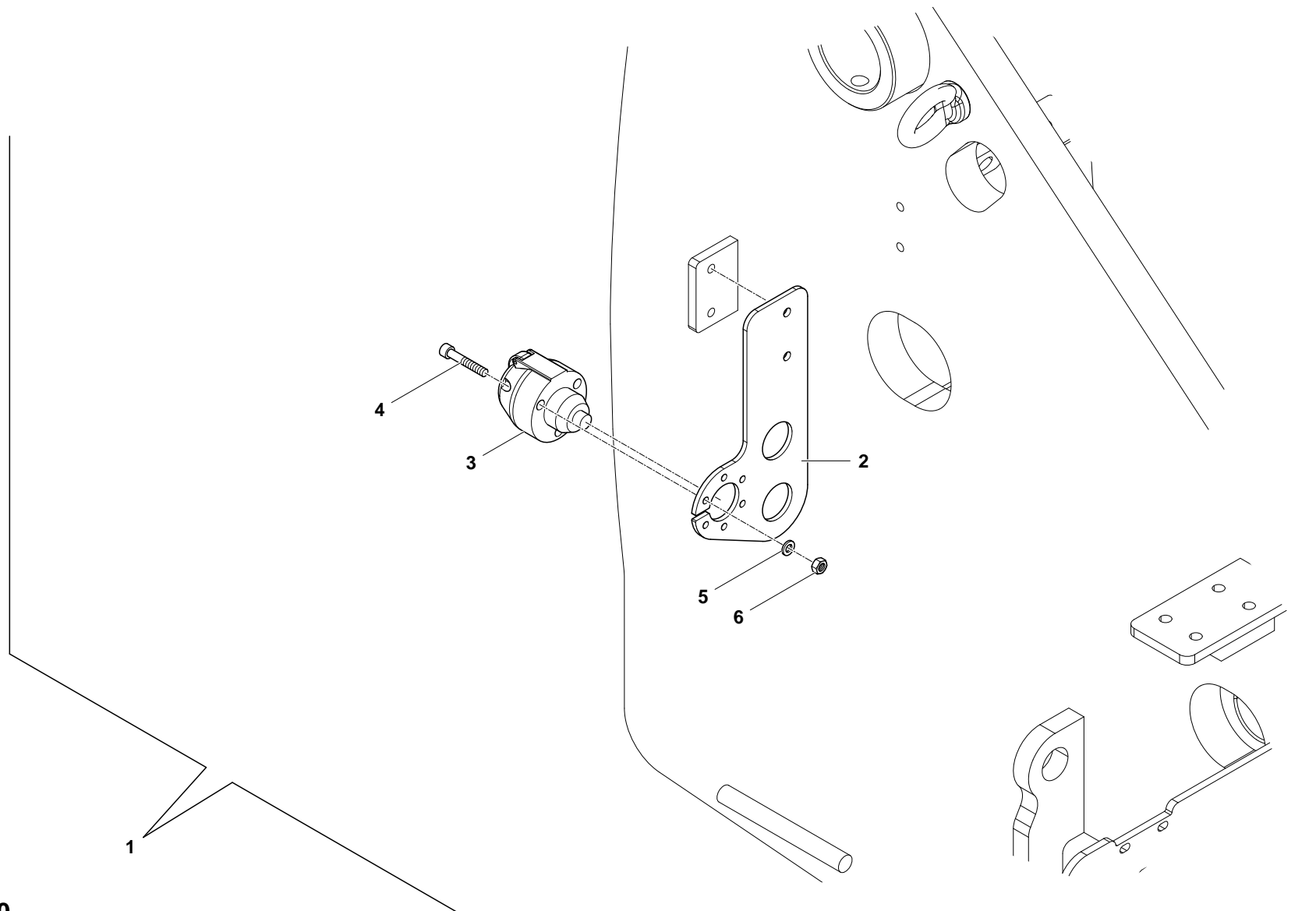


DESCRIZIONE:

FARO SU TESTA BRACCIO  
LIGHT ON BOOM HEAD  
PHARE SUR BRAS TÊTE  
FOCO EN CABEZAL BRAZO  
SCHEINWERFER AM AUSLEGERKOPF

Table	Item#	Pg.	Code	Part Description - English	Part Description - French	Part Description - Italian
GM0031	1	117	EID4376	LIGHT	FEU	FARO SU BRACCIO
GM0031	2	117	1P.ILMCHP06LS	HOUSING	COFFRET	CUSTODIA A PARETE
GM0031	3	117	1P.ILMCNF06	ELECTRIC SOCKET	PRISE	FRUTTO
GM0031	4	117	1P.REI53015040	CABLE GLAND	SERRE-CABLES	PRESSACAVO
GM0031	5	117	BAE1209	SCREW	VIS	VITE
GM0031	6	117	BAF2008	THREAD INSERT	GARNITURE FILETÉE	INSERTO FILETTATO
GM0031	7	117	4C.125762	CONNECTOR	CONNECTEUR	CONNETTORE
GM0031	8	117	CVC5653/CL	PLATE	PLAQUE	PIASTRA
GM0031	9	117	4C.110967	LIGHT	FEU	FARO
GM0031	10	117	BAG4118	NUT	ECROU	DADO
GM0031	11	117	BEM4023	LAMP	LAMPE	LAMPADA
GM0031	12	117	BAL5114	WASHER	RONDELLE	RONDELLA
GM0031	13	117	4C.77505	WARNING LIGHT GLASS	VERRE DU TEMOIN	VETRO SPIA
GM0031	14	117	4C.106AA008	SWITCH	INTERRUPTEUR	INTERRUTTORE





EID4730

NUMERO TAVOLA  
TABLE NUMBER  
**GM0032**

VERSIONE  
VERSION  
**00**  
01/06/11

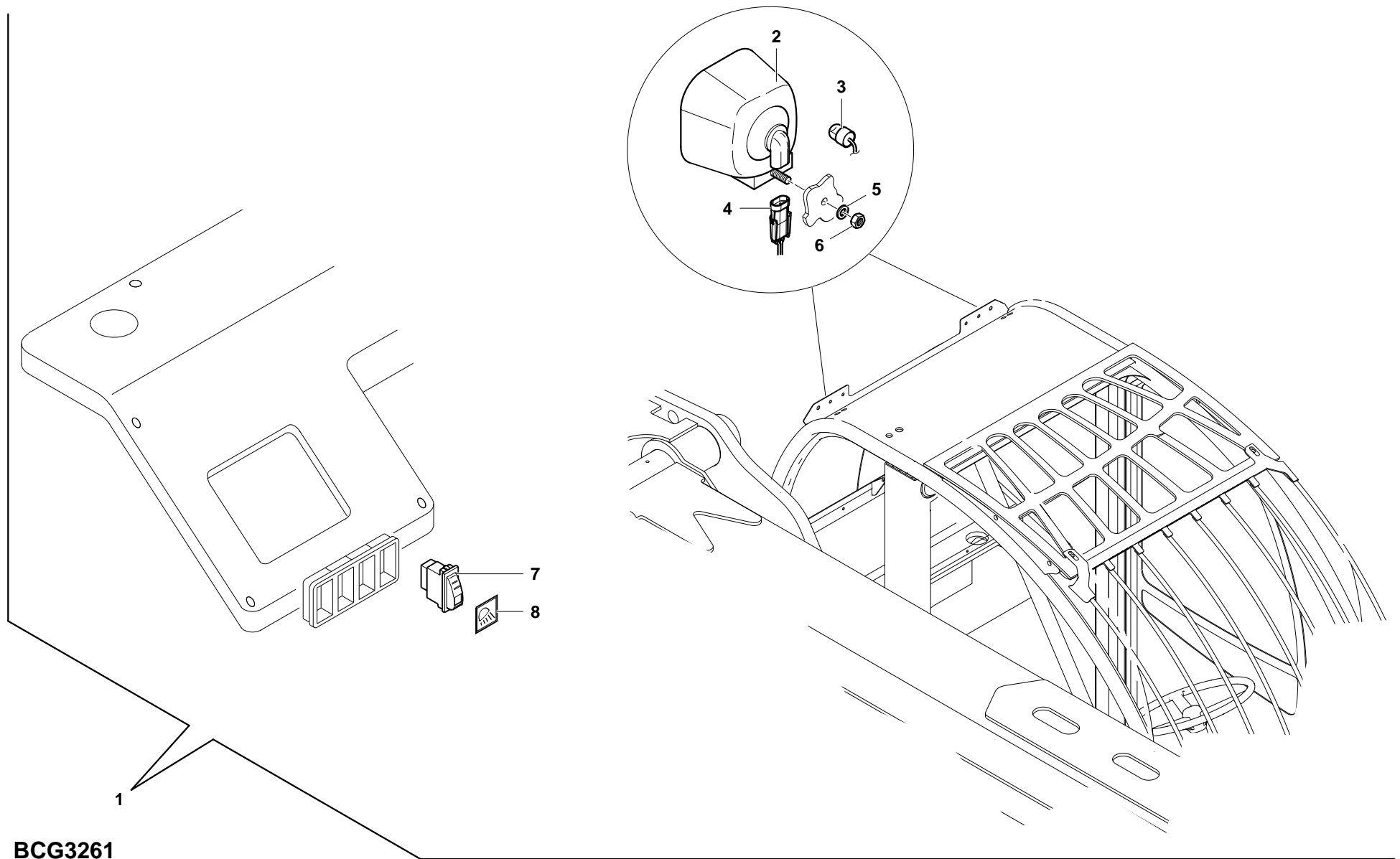
CODICE MACCHINA  
MACHINE CODE  
**APOLLO**  
Matr. 1900



DESCRIZIONE:

PRESA ELETTRICA 7 POLI  
7-POLE ELECTRIC SOCKET  
PRISE ÉLECTRIQUE 7 PÔLES  
TOMA ELÉCTRICA DE 7 POLOS  
ELEKTRISCHER ANSCHLUSS 7-POLIG

Table	Item#	Pg.	Code	Part Description - English	Part Description - French	Part Description - Italian
GM0032	1	118	EID4730	SINGLE INLET	PRISE	PRESA ELETTR. 7 POLI
GM0032	2	118	CVC6106/0D	SUPPORT	SUPPORT	SUPPORTO
GM0032	3	118	4C.0A008211	SINGLE INLET	PRISE	PRESA
GM0032	4	118	BAB5156	SCREW	VIS	VITE
GM0032	5	118	BAL5110	WASHER	RONDELLE	RONDELLA
GM0032	6	118	BAG4116	NUT	ECROU	DADO



BCG3261

NUMERO TAVOLA  
TABLE NUMBER  
**GM0037**

VERSIONE  
VERSION  
**00**  
01/06/11

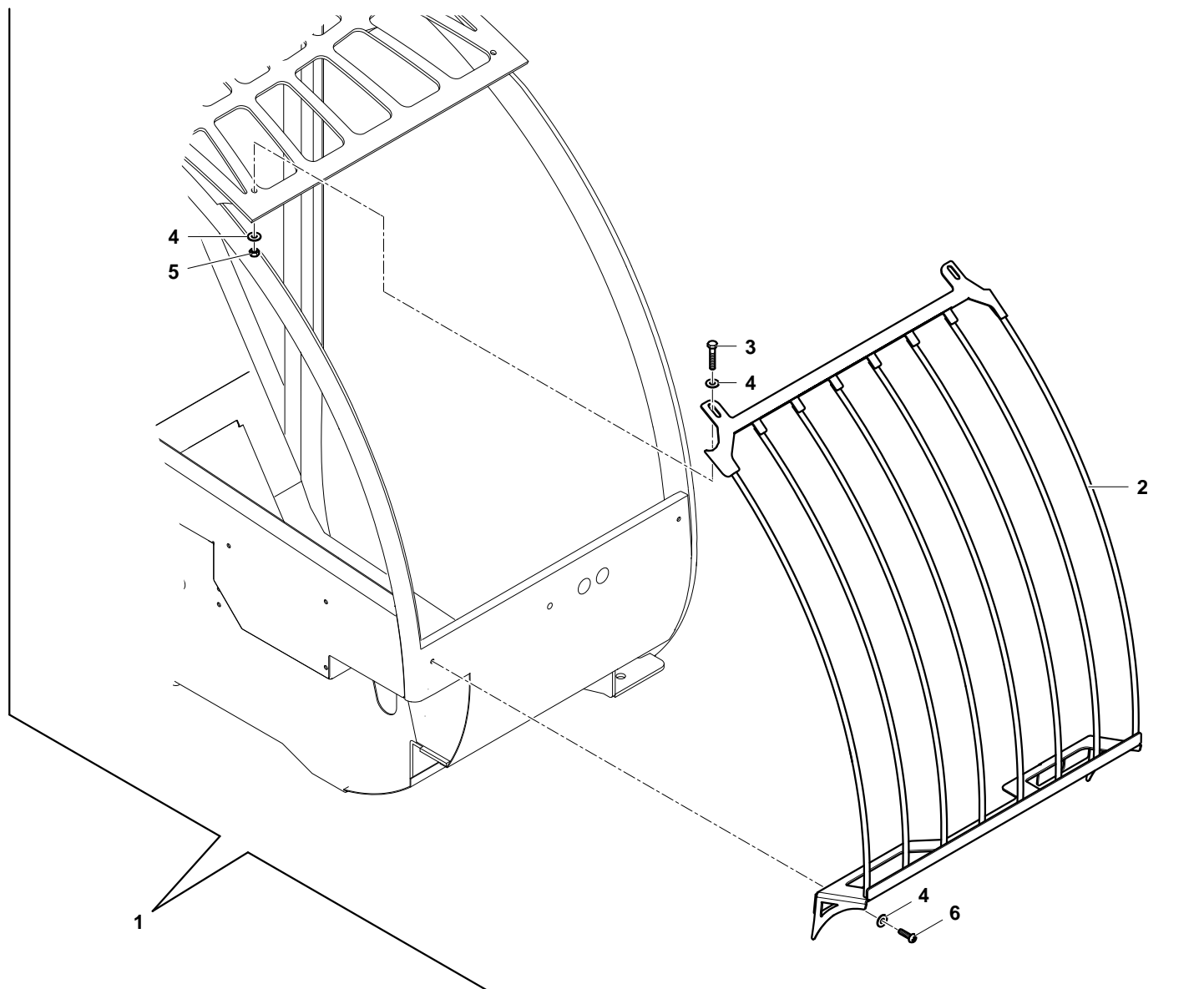
CODICE MACCHINA  
MACHINE CODE  
**APOLLO**  
Matr. 1900



DESCRIZIONE:

FARI POSTERIORI SU CABINA  
REAR LIGHT ON TOP OF THE CAB  
PHARE ORIENTABLE ARRIÈRE SUR CABINE  
FOCO ORIENTABLE POSTERIOR EN CABINA  
ARBEITSSCHEINWERFER HINTEN AUF KABINE

Table	Item#	Pg.	Code	Part Description - English	Part Description - French	Part Description - Italian
GM0037	1	119	BCG3261	LIGHT	FEU	FARI DI LAVORO POST.
GM0037	2	119	BEM2104	LIGHT	FEU	FANALE DI LAVORO
GM0037	3	119	BEM4022	LAMP	LAMPE	LAMPADA
GM0037	4	119	4C.125402	CONNECTOR	CONNECTEUR	CONNETTORE
GM0037	5	119	BAL5114	WASHER	RONDELLE	RONDELLA
GM0037	6	119	BAG4118	NUT	ECROU	DADO
GM0037	7	119	4C.106AA024	SWITCH	INTERRUPTEUR	INTERRUTTORE
GM0037	8	119	4C.77692	WARNING LIGHT GLASS	VERRE DU TEMOIN	VETRO SPIA



EID4662


<p>NUMERO TAVOLA TABLE NUMBER <b>GM0038</b></p>	<p>VERSIONE VERSION <b>00</b> 01/06/11</p>	<p>CODICE MACCHINA MACHINE CODE <b>APOLLO</b> Matr. 1900</p>		<p>DESCRIZIONE:</p>	<p>PROTEZIONE VETRO ANTERIORE CABINA CAB FRONT GLASS PROTECTION PROTECTION PARE-BRISE ANTÉRIEUR CABINE PROTECCIÓN PARABRISAS CABINA FRONTSCHIEBENSCHUTZ</p>
---	--	--	---	---------------------	---

Table	Item#	Pg.	Code	Part Description - English	Part Description - French	Part Description - Italian
GM0038	1	120	EID4662	BOOT	PROTECTION	GRIGLIA DI PROTEZIONE
GM0038	2	120	BCN9934/0G	BOOT	PROTECTION	GRIGLIA DI PROTEZIONE
GM0038	3	120	BAA7255	SCREW	VIS	VITE
GM0038	4	120	BAL5115	WASHER	RONDELLE	RONDELLA
GM0038	5	120	BAG4118	NUT	ECROU	DADO
GM0038	6	120	BAE2015	SCREW	VIS	VITE